

[54] **FISHING REEL**  
[75] **Inventor: Rudolph Effinger, Feasterville, Pa.**  
[73] **Assignee: Penn Fishing Tackle Mfg. Co., Philadelphia, Pa.**  
[\*\*] **Term: 14 Years**  
[21] **Appl. No.: 74,012**  
[22] **Filed: Jul. 16, 1987**  
[52] **U.S. Cl. .... D22/140**  
[58] **Field of Search .... D22/140, 141, 134; 242/264, 268, 279, 262, 282, 270, 250, 298, 319, 310**

2,209,598 7/1940 Coxé ..... 242/268 X  
2,361,239 10/1944 Ransom .  
3,478,979 11/1969 Henze .  
4,278,217 7/1981 Blackwell ..... 242/264 X  
4,390,147 6/1983 Zukerman .

*Primary Examiner*—A. Hugo Word  
*Assistant Examiner*—Doris V. Coles  
*Attorney, Agent, or Firm*—Dann, Dorfman, Herrell and Skillman

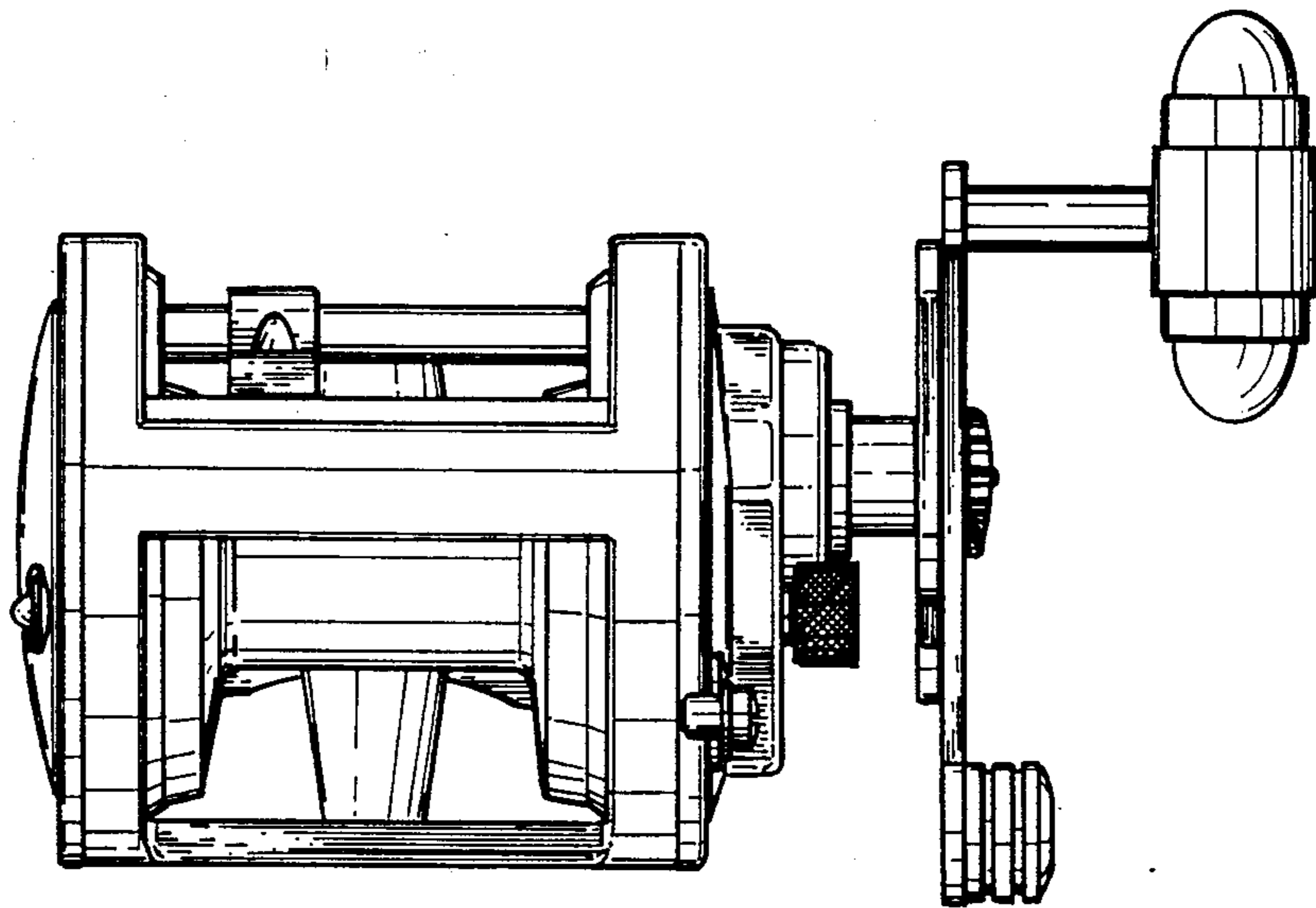
[57] **CLAIM**

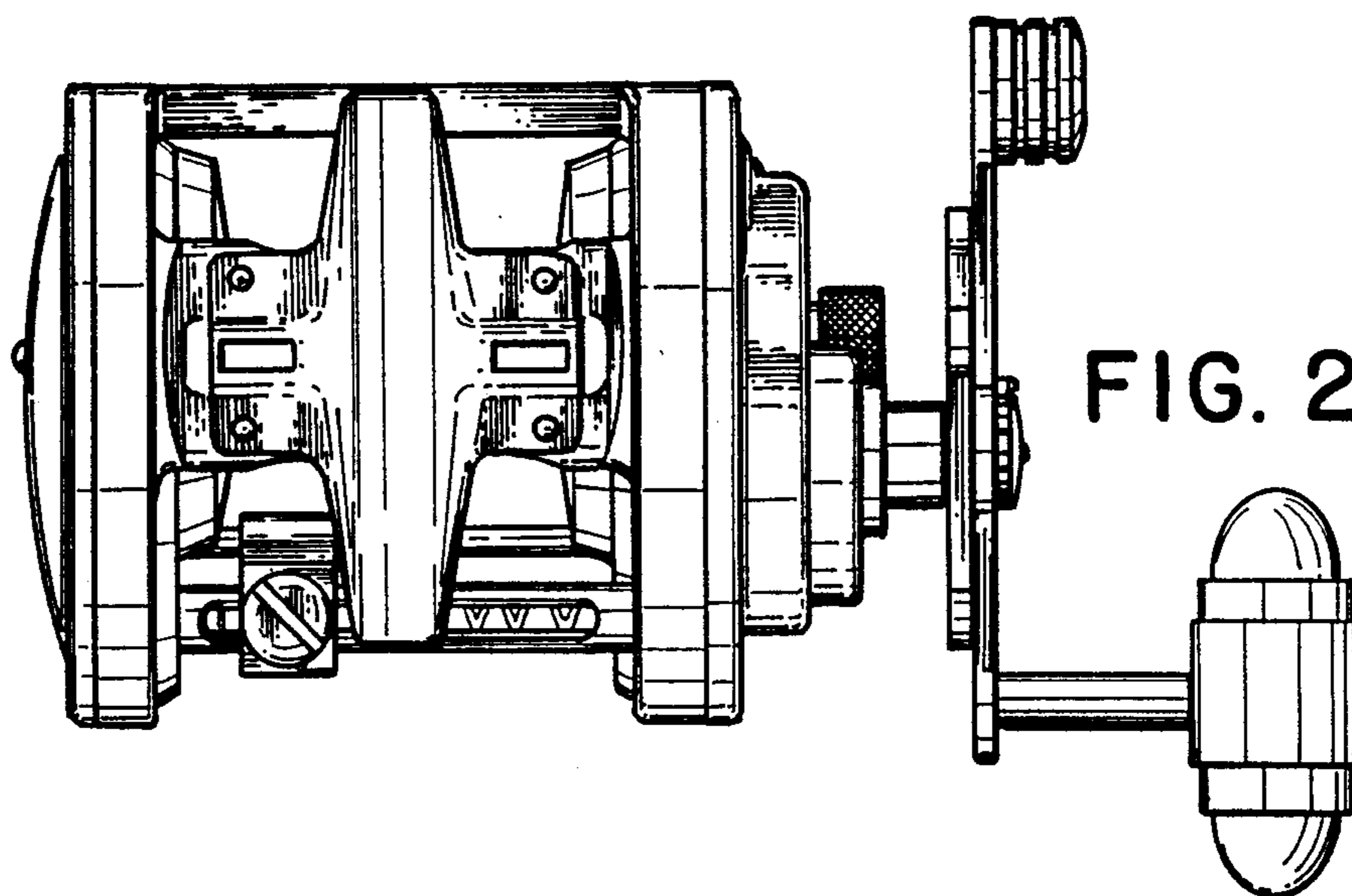
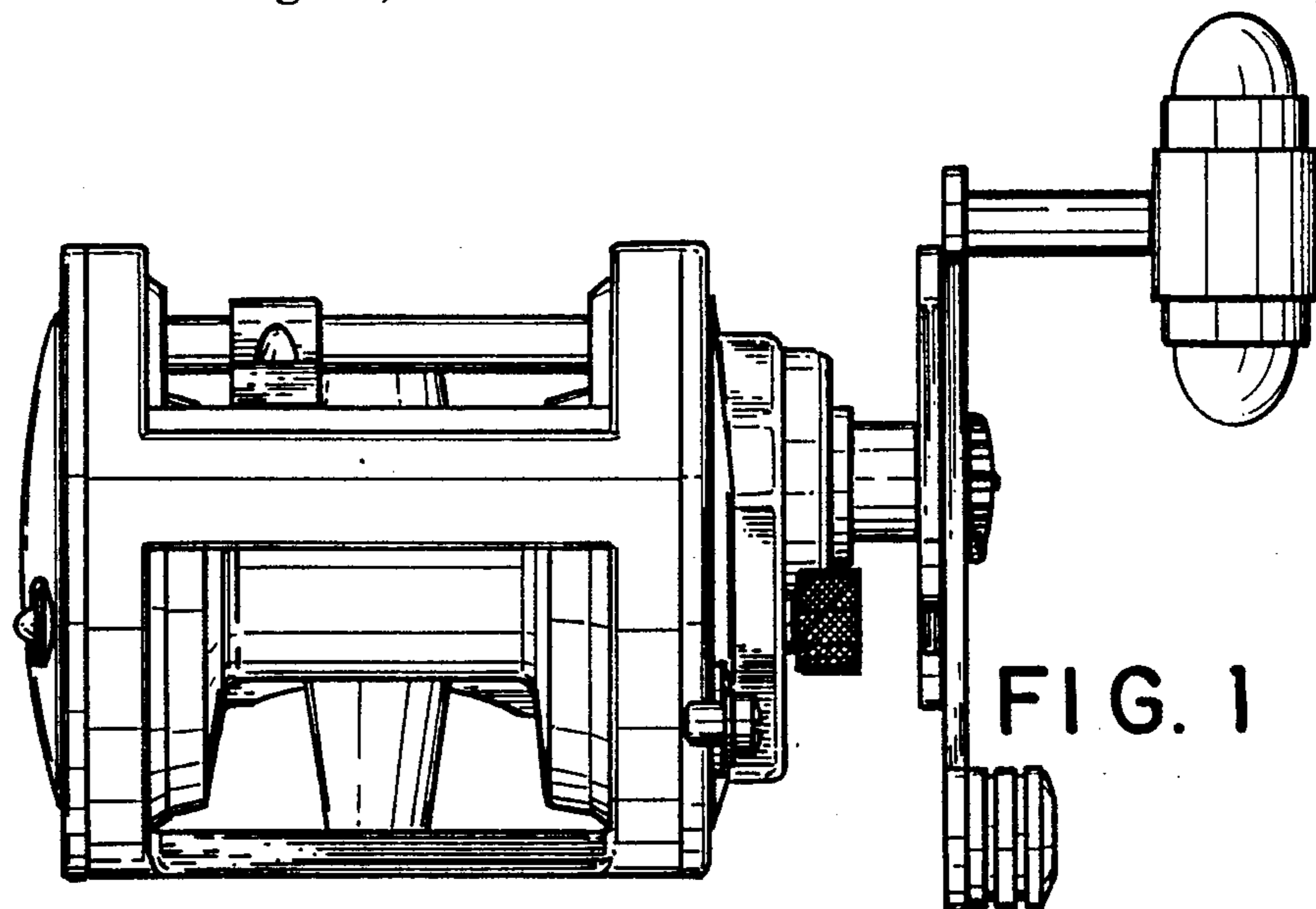
The ornamental design for a fishing reel, as shown and described.

**DESCRIPTION**

FIG. 1 is a top plan view of a fishing reel showing my new design;  
FIG. 2 is a bottom plan view thereof;  
FIG. 3 is a front elevational view thereof;  
FIG. 4 is a right side elevational view thereof;  
FIG. 5 is a rear elevational view thereof; and  
FIG. 6 is a left side elevational view thereof.

[56] **References Cited**  
**U.S. PATENT DOCUMENTS**  
D. 82,279 10/1930 Pflueger ..... D22/140  
D. 261,297 10/1981 Sakamoto ..... D22/140  
D. 273,218 3/1984 Atobe et al. .... D22/140  
D. 294,726 3/1988 Nakamura ..... D22/140  
2,150,088 3/1939 White .





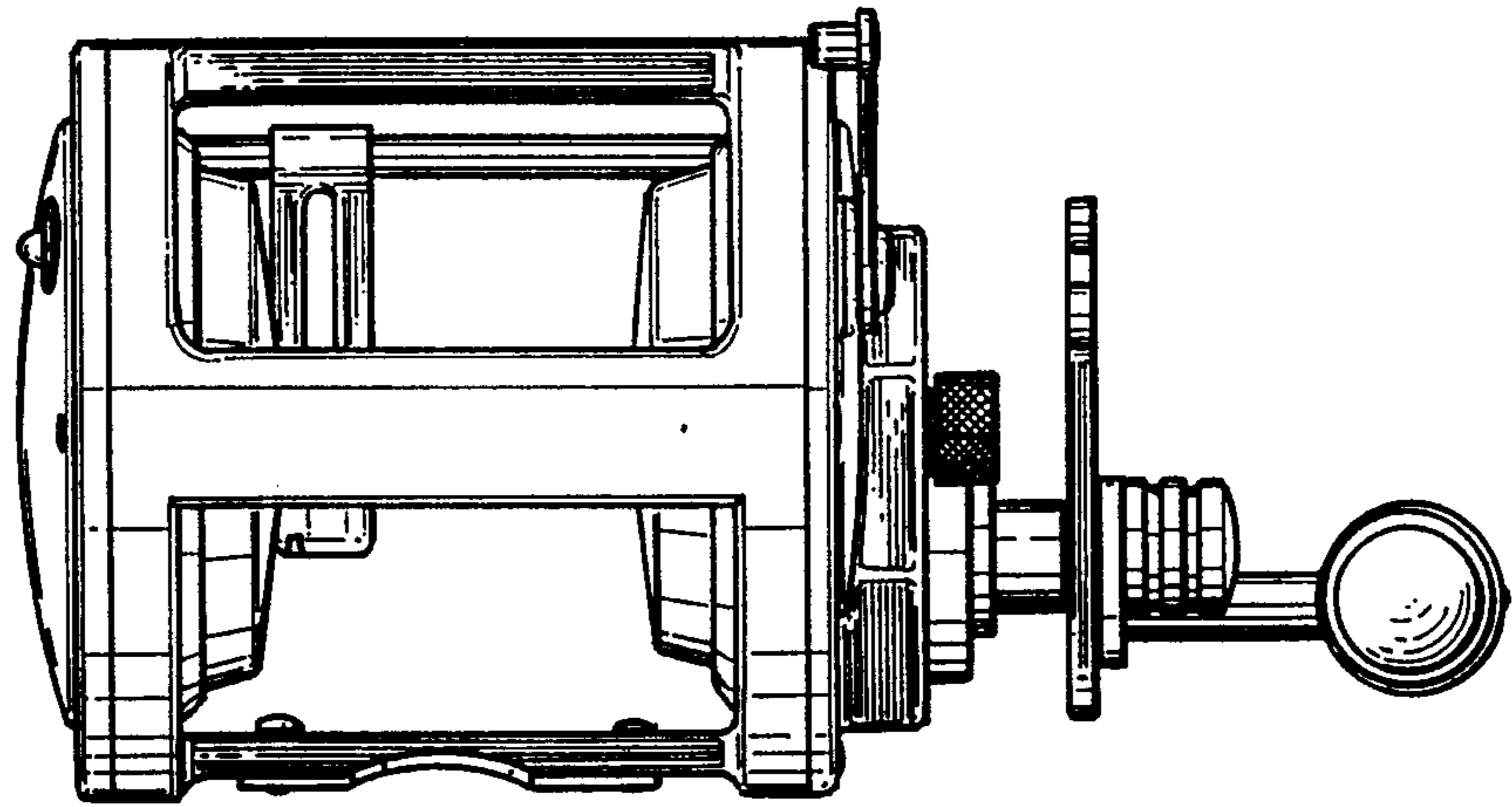


FIG. 3

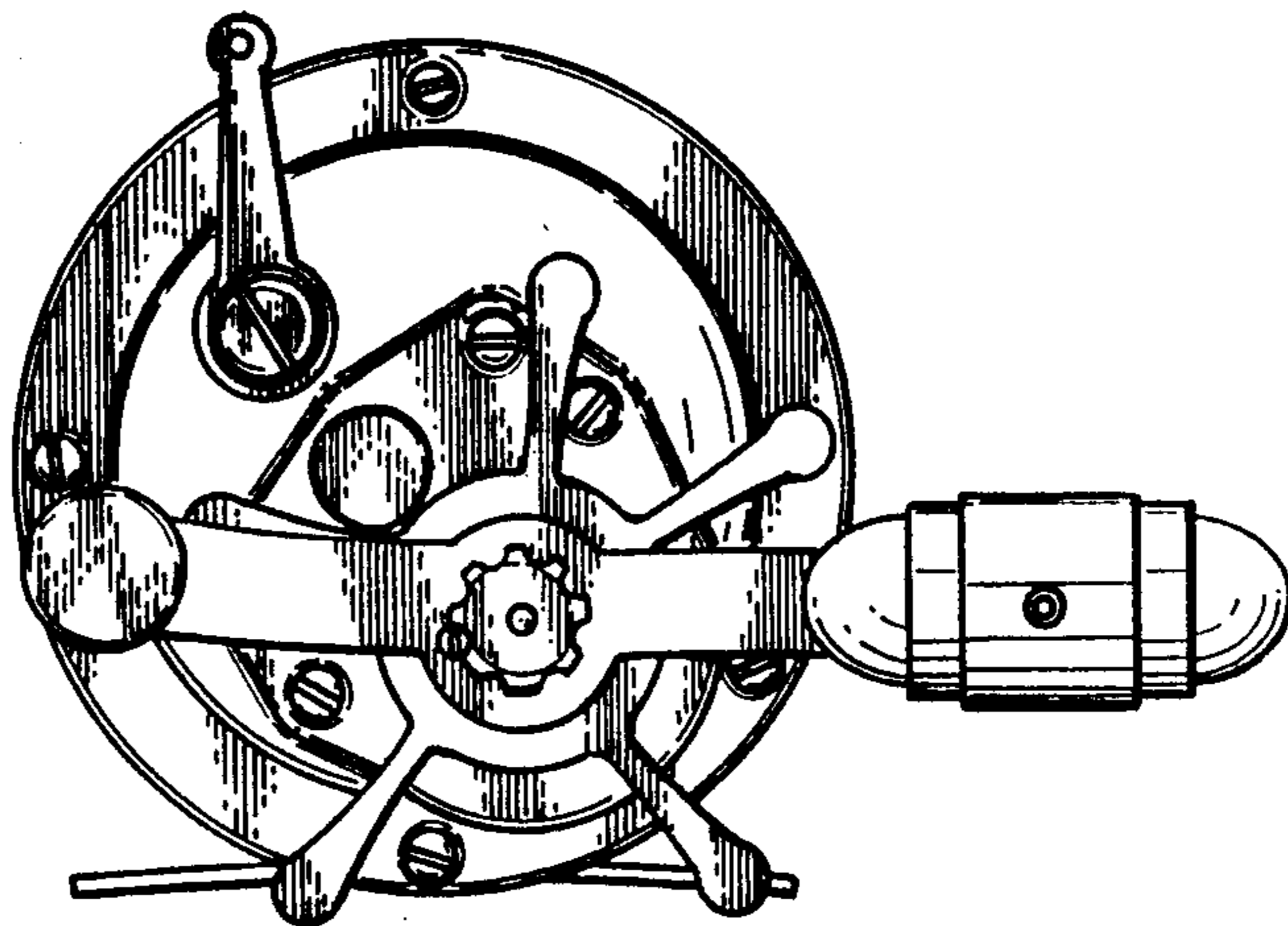


FIG. 4

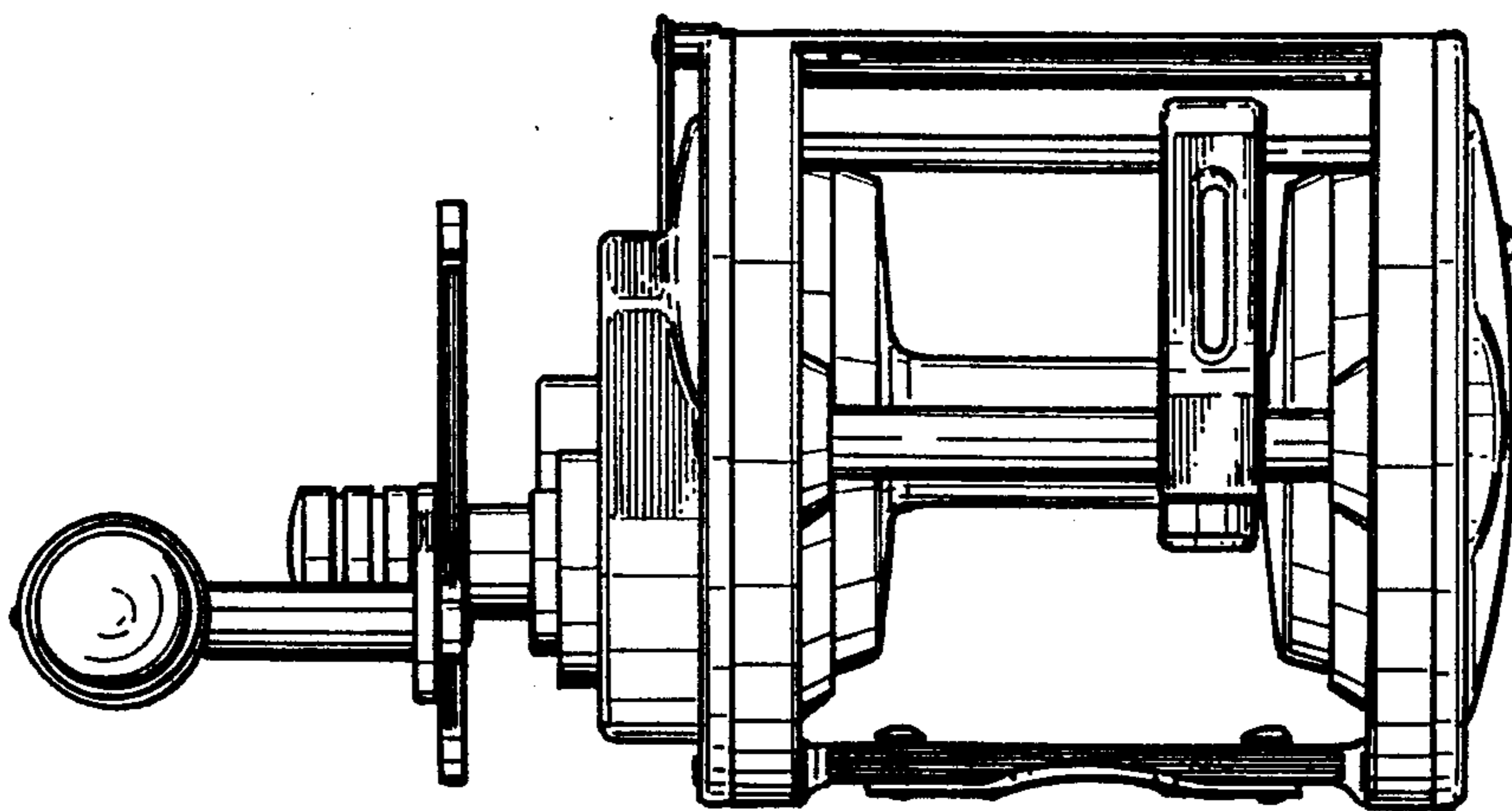


FIG. 5

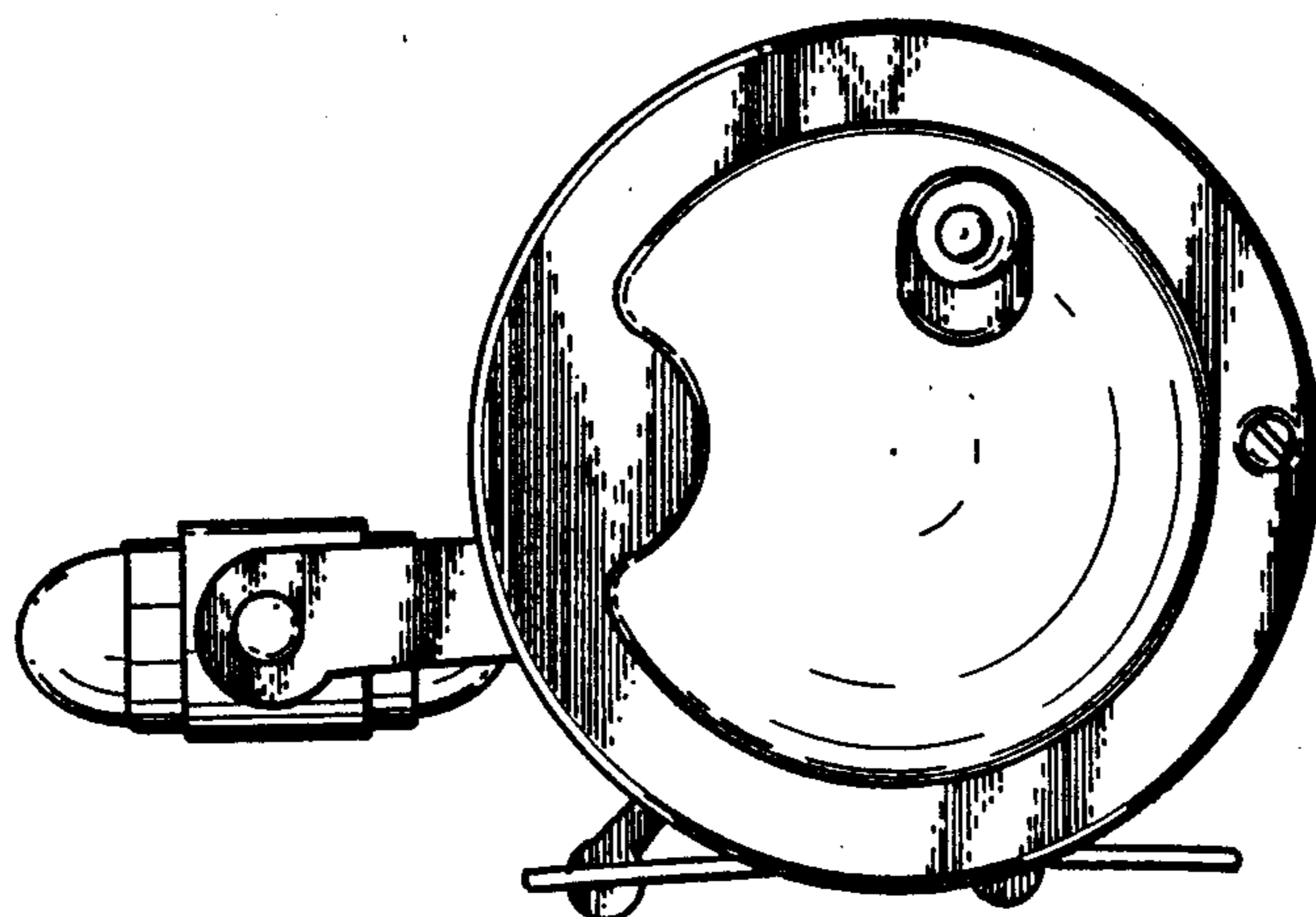


FIG. 6