

[54] ADHESIVE APPLICATOR

[76] Inventor: Hiromichi Uchida, c/o Toyo Chemical Co., Ltd., Nikko Mita Bldg., 4-26, Takanawa 1-chome, Minato-ku, Tokyo, Japan

[**] Term: 14 Years

[21] Appl. No.: 54,953

[22] Filed: May 27, 1987

[52] U.S. Cl. D19/67; D19/68

[58] Field of Search D19/67, 68, 69; 312/38, 312/39, 40; 225/6, 19, 45, 56, 59, 65, 77, 89; 156/541, 584

[56] References Cited

U.S. PATENT DOCUMENTS

D. 170,429	9/1953	Reinecke	D19/69
D. 190,781	6/1961	Reinecke	D19/69
D. 191,246	8/1961	Belbow	D19/69
D. 248,561	7/1978	Derring, Jr.	D19/69
D. 300,151	3/1989	Lin	D19/67

2,540,697	2/1951	Staples	225/77 X
2,676,765	4/1954	Kaplan .	
4,220,495	9/1980	Uchida .	
4,267,006	5/1981	Karn et al. .	
4,396,455	8/1983	Uchida .	
4,447,482	5/1984	Heinzelman et al. .	
4,851,074	7/1989	Uchida .	

Primary Examiner—Bruce W. Dunkins
Assistant Examiner—Martha Thompson
Attorney, Agent, or Firm—Wenderoth, Lind & Ponack

[57] CLAIM

The ornamental design for an adhesive applicator, as shown.

DESCRIPTION

FIG. 1 is a perspective view of an adhesive applicator showing my new design;
FIG. 2 is a front elevational view;
FIG. 3 is a left side elevational view;
FIG. 4 is a right side elevational view;
FIG. 5 is a top plan view; and
FIG. 6 is a bottom plan view thereof.

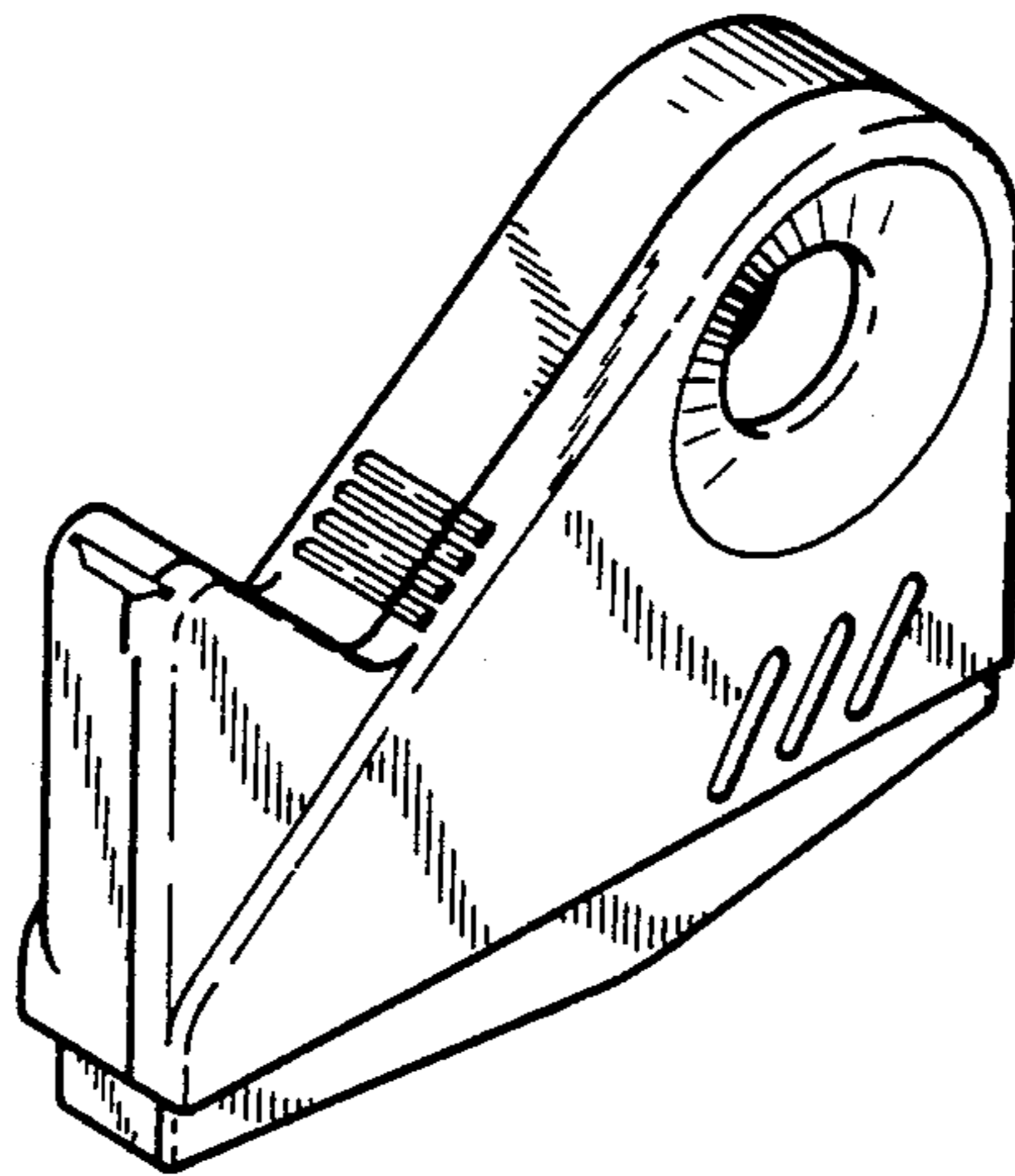


FIG. 1

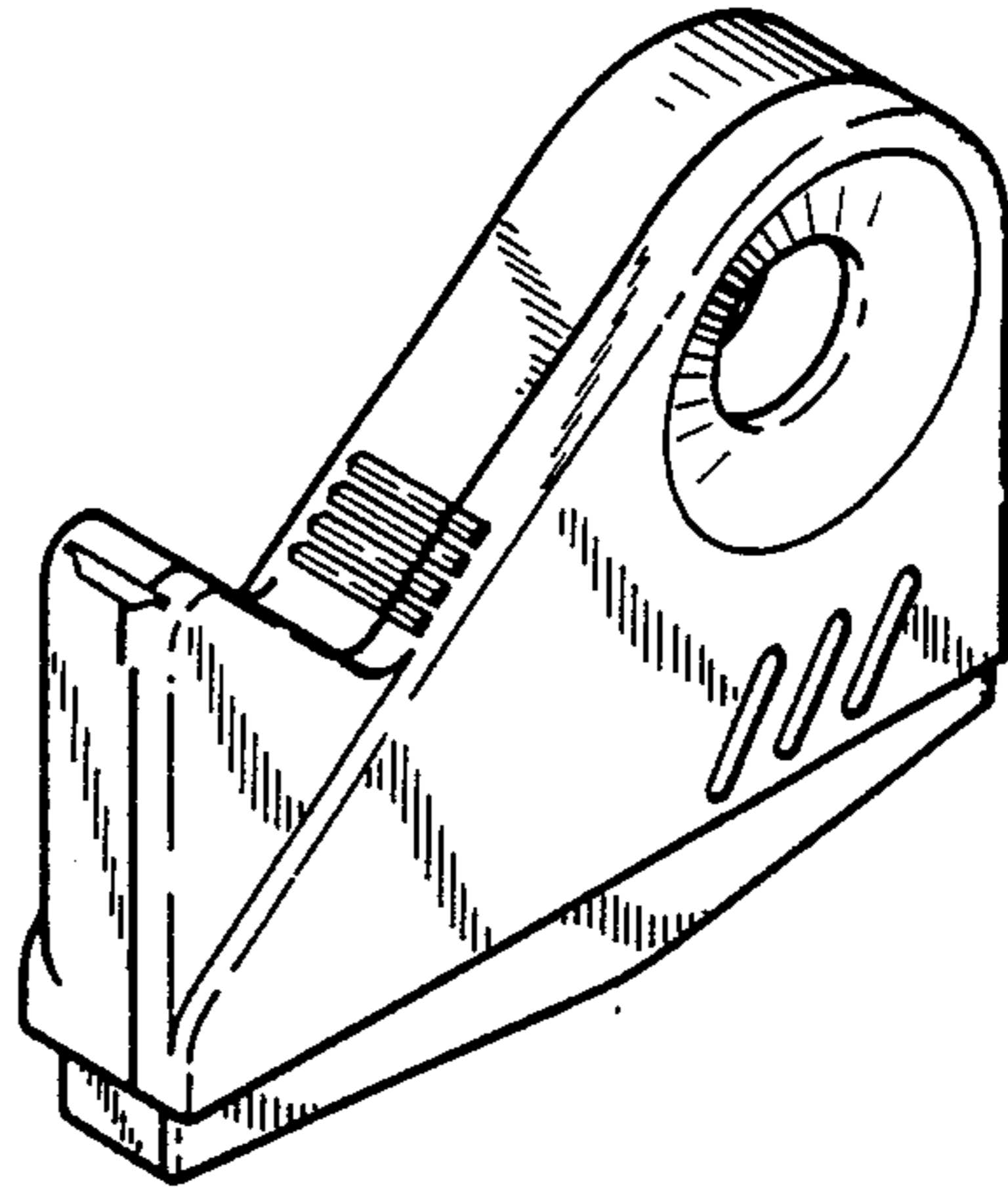


FIG. 2

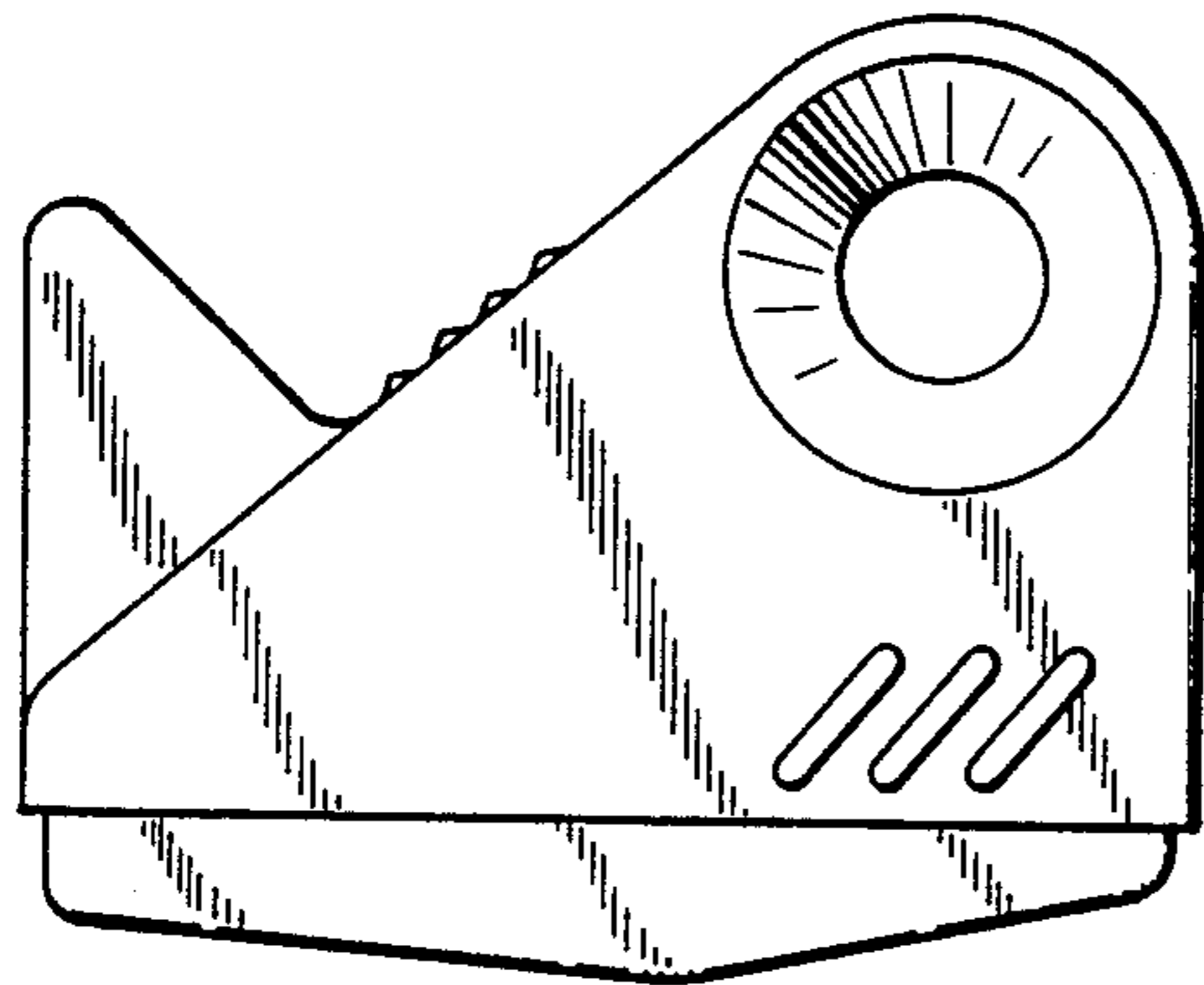


FIG. 3

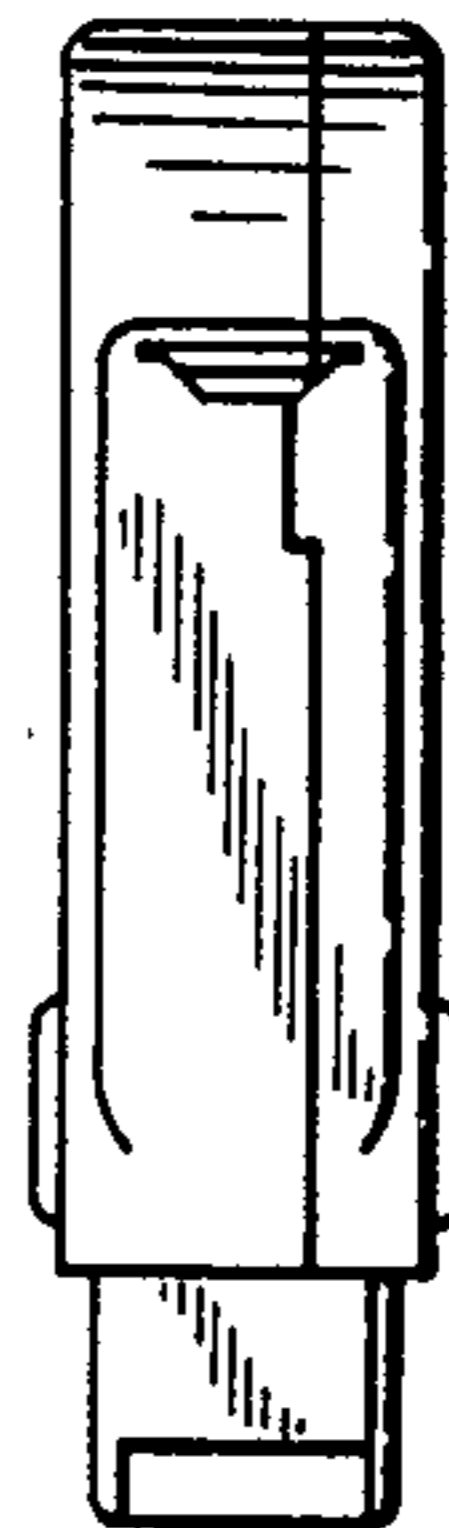


FIG. 4

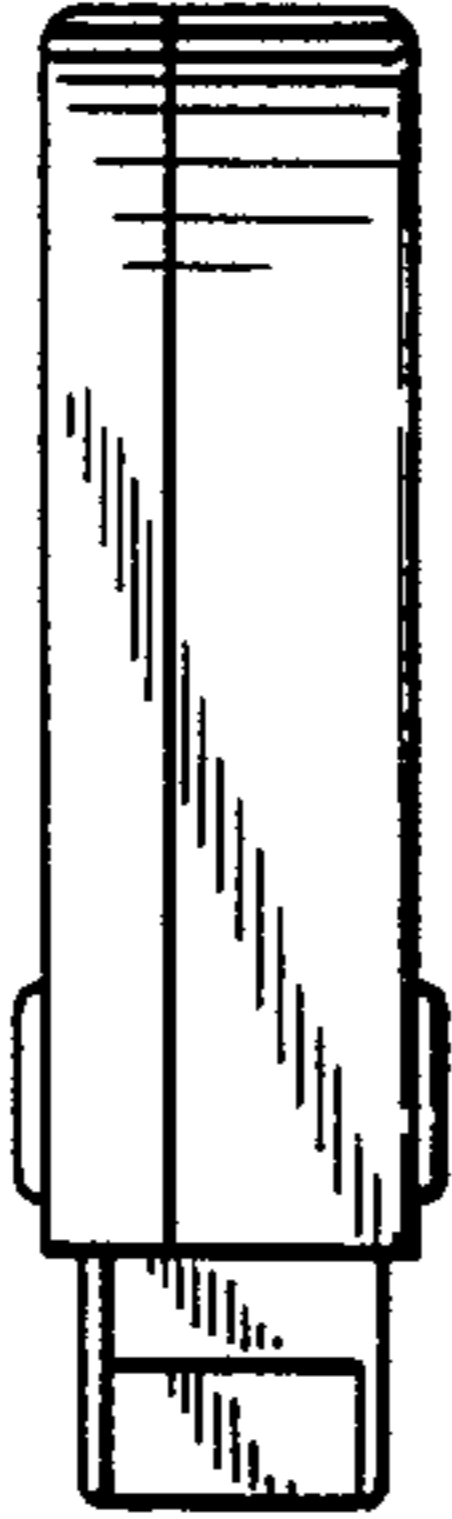


FIG. 5



FIG. 6

