

[54] **STAMP DISPENSER**

[75] **Inventor: James M. Rittenhouse, Watchung, N.J.**

[73] **Assignee: Ketcham & McDougall, Inc., Roseland, N.J.**

[**] **Term: 14 Years**

[21] **Appl. No.: 12,120**

[22] **Filed: Feb. 5, 1987**

[52] **U.S. Cl. D19/67; D19/69; D19/95**

[58] **Field of Search D19/65, 67, 68, 69, D19/72, 95, 100; 83/242; 206/39.8**

[56] **References Cited**

U.S. PATENT DOCUMENTS

D. 165,656 1/1952 Lathrop D19/67 X

D. 201,766 7/1965 Perkins D19/67
D. 293,338 12/1987 Evenson D19/67
2,847,188 8/1958 Johnson D19/69 X

Primary Examiner—Bruce W. Dunkins
Assistant Examiner—Martha Thompson
Attorney, Agent, or Firm—Collard, Roe & Galgano

[57] **CLAIM**

The ornamental design for a stamp dispenser, as shown.

DESCRIPTION

FIG. 1 is a perspective view of a stamp dispenser showing my new design;
FIG. 2 is a top plan view;
FIG. 3 is a bottom plan view;
FIG. 4 is a left side elevational view;
FIG. 5 is a right side elevational view;
FIG. 6 is a front elevational view; and
FIG. 7 is a rear elevational view.

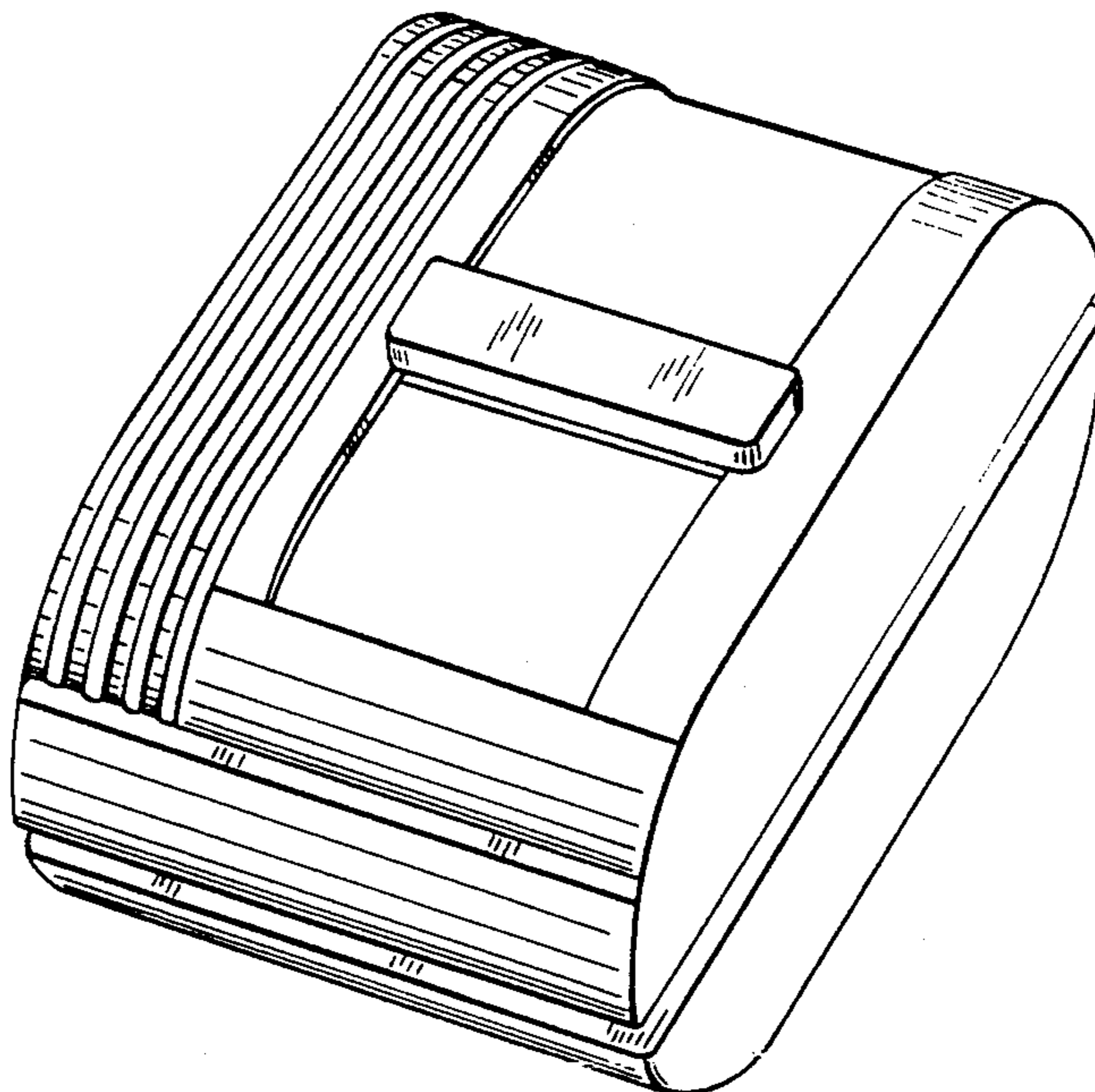


FIG. 1

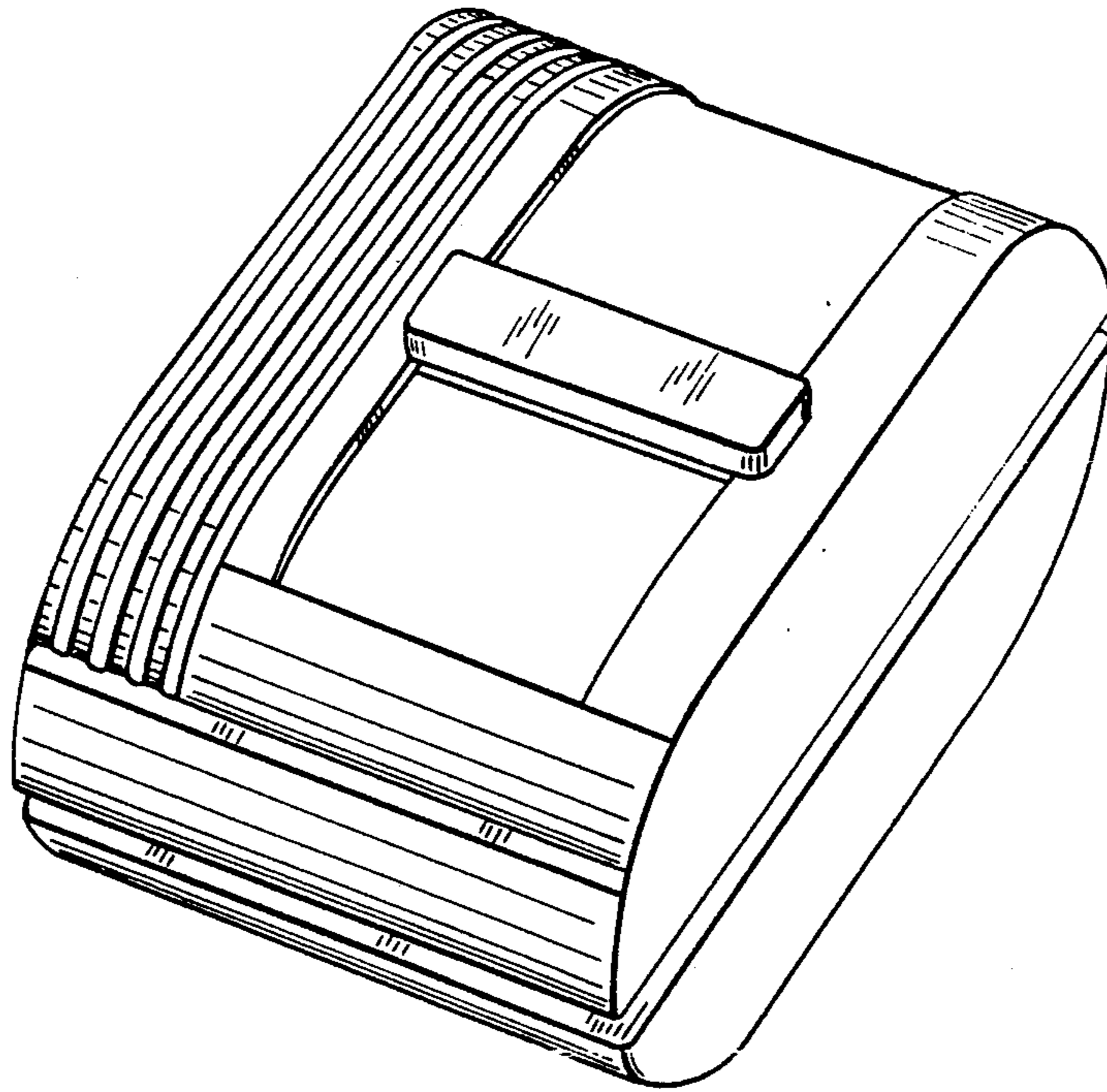


FIG. 2

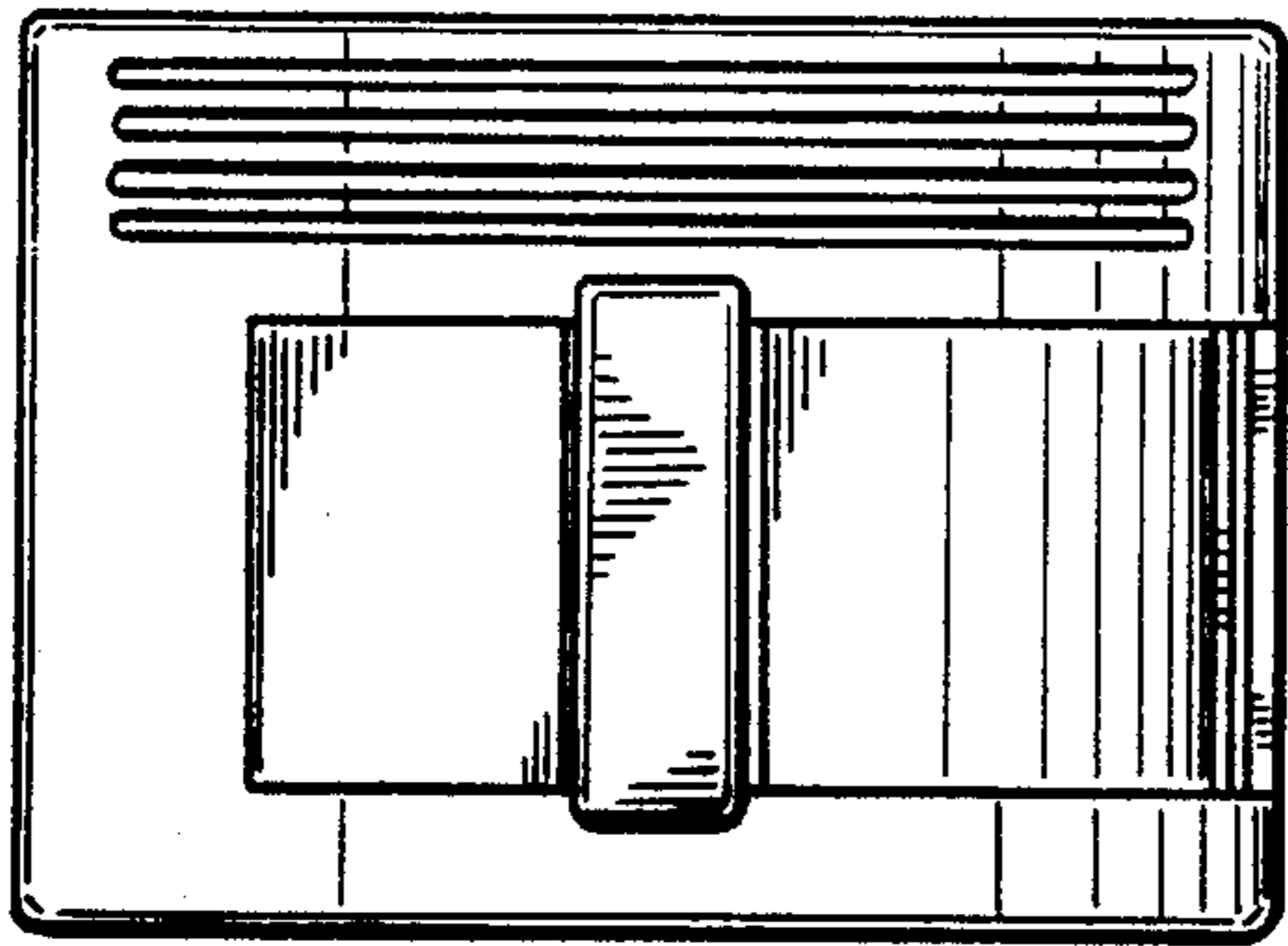


FIG. 3

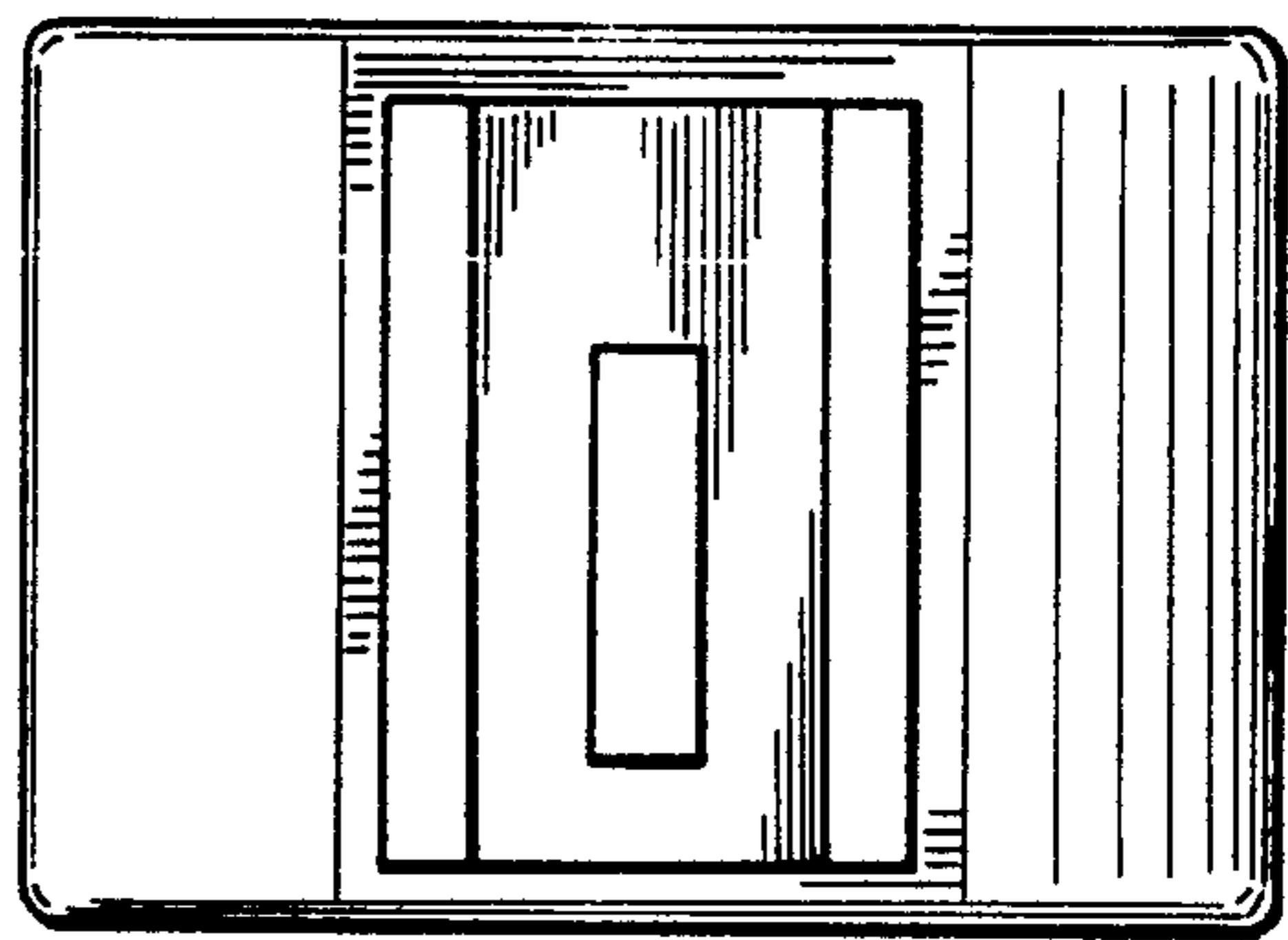


FIG. 4

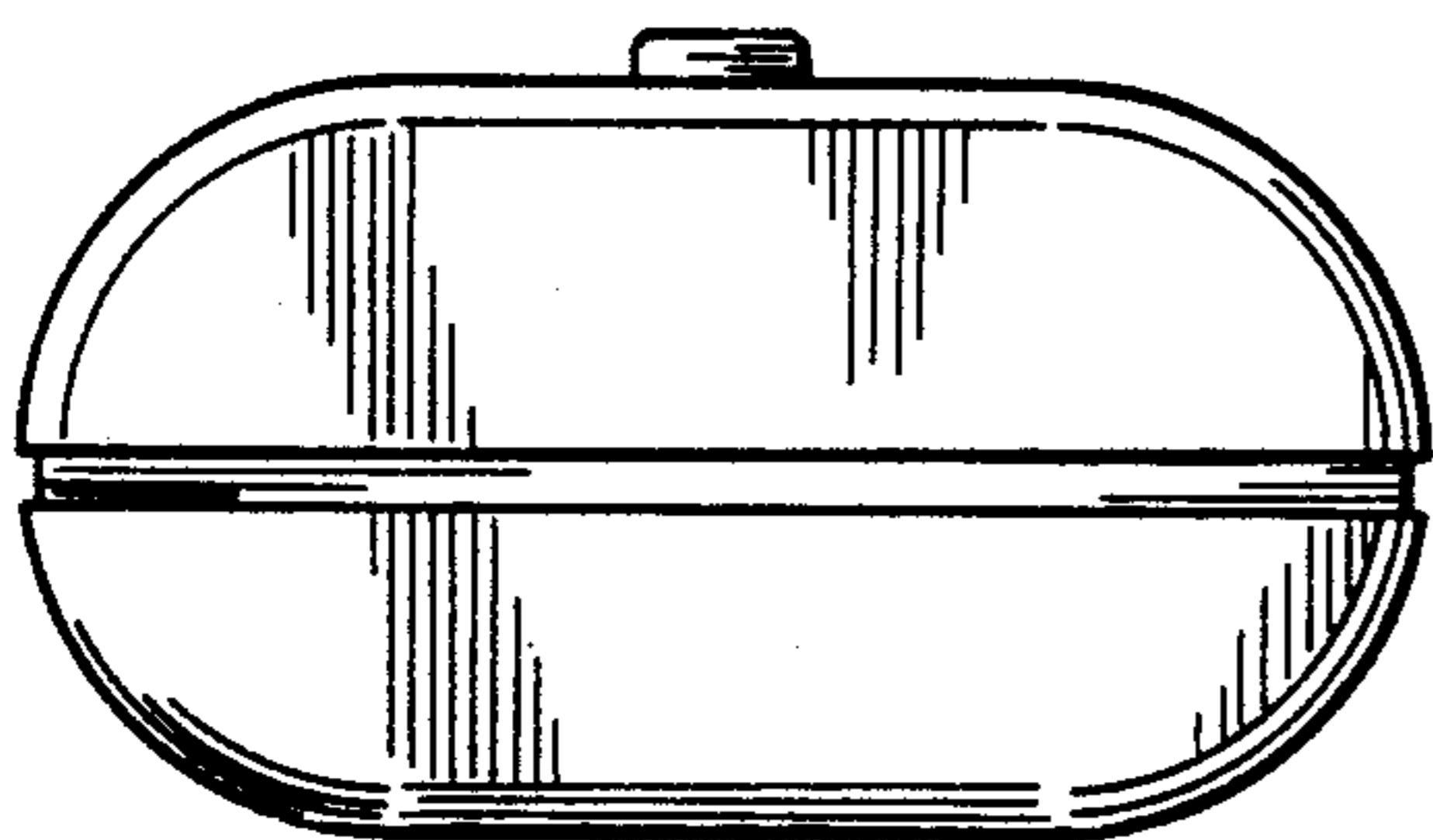


FIG. 5

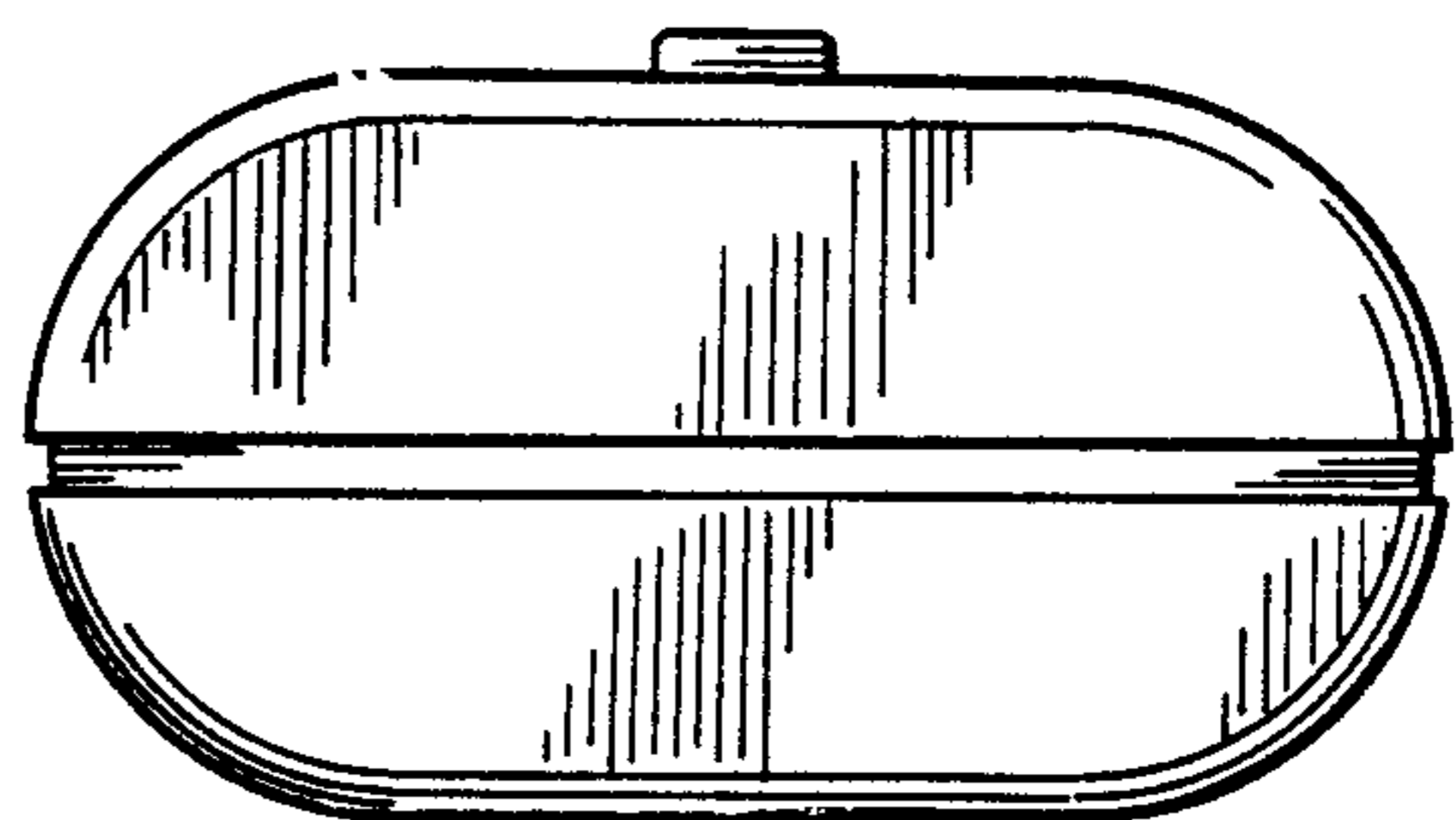


FIG. 6

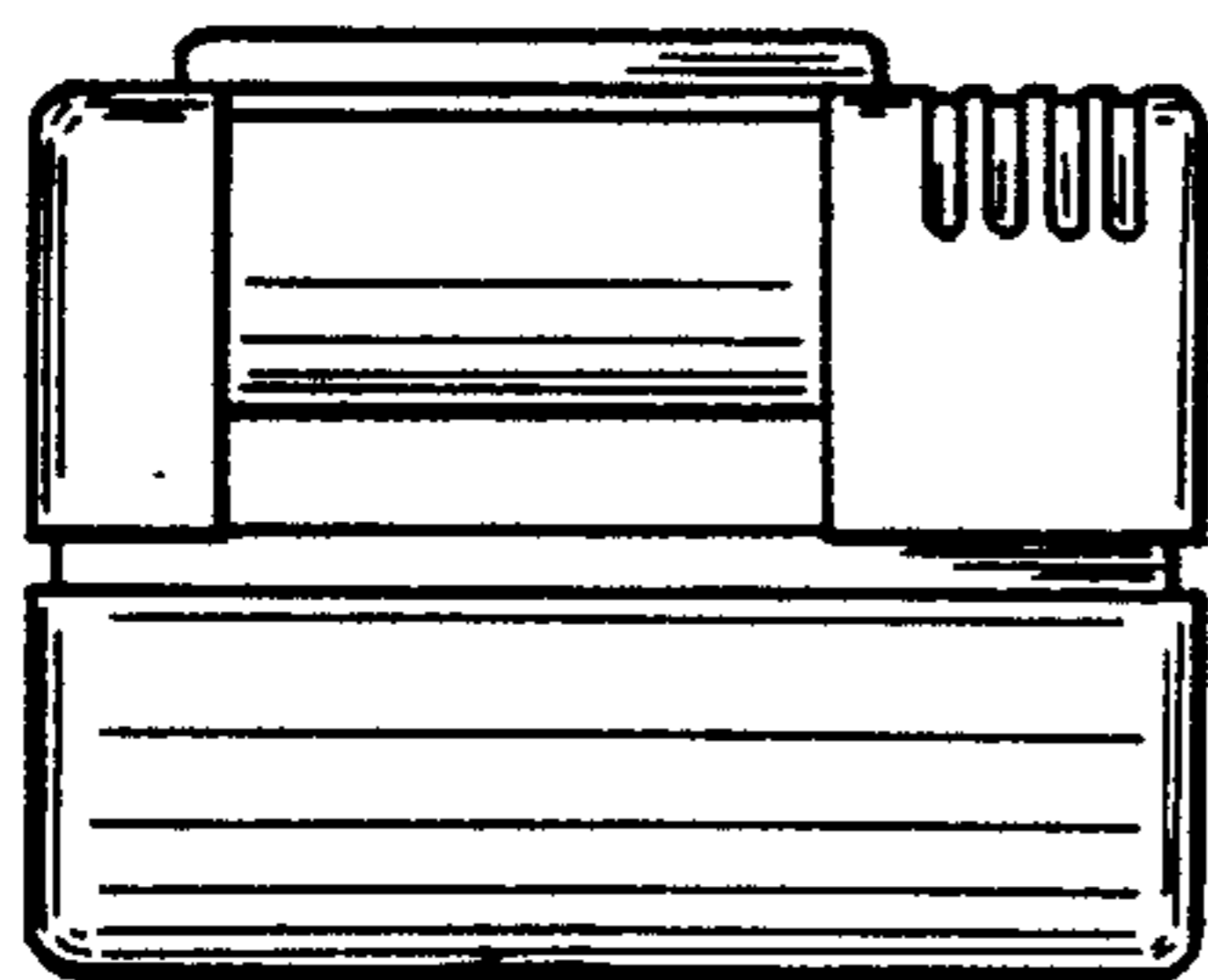


FIG. 7

