

[54] BOOK HOLDER

[75] Inventors: David R. Chapman, London; Charles G. Shepherd, Oakville, both of Canada

[73] Assignee: Chas Chapman Company Limited, Oakville, Canada

[\*\*] Term: 14 Years

[21] Appl. No.: 99,833

[22] Filed: Sep. 17, 1987

[30] Foreign Application Priority Data

Mar. 16, 1987 [CA] Canada ..... 17-03-87-12

[52] U.S. Cl. .... D19/26; D3/76

[58] Field of Search ..... D19/26, 27, 28; D3/30.1, 56, 78; 402/75, 80, 76, 33, 31, 500, 501, 502, 503; 206/387, 240

[56] References Cited

U.S. PATENT DOCUMENTS

D. 210,267	2/1968	Rockwell .....	D19/27 X
370,244	9/1887	Cline et al. ....	402/80 X
3,275,279	9/1966	Caldwell et al. ....	248/447
3,908,954	9/1975	Nix .....	248/447
4,255,065	3/1981	Errichiello .....	281/45 X
4,703,853	11/1987	Byrns .....	206/387

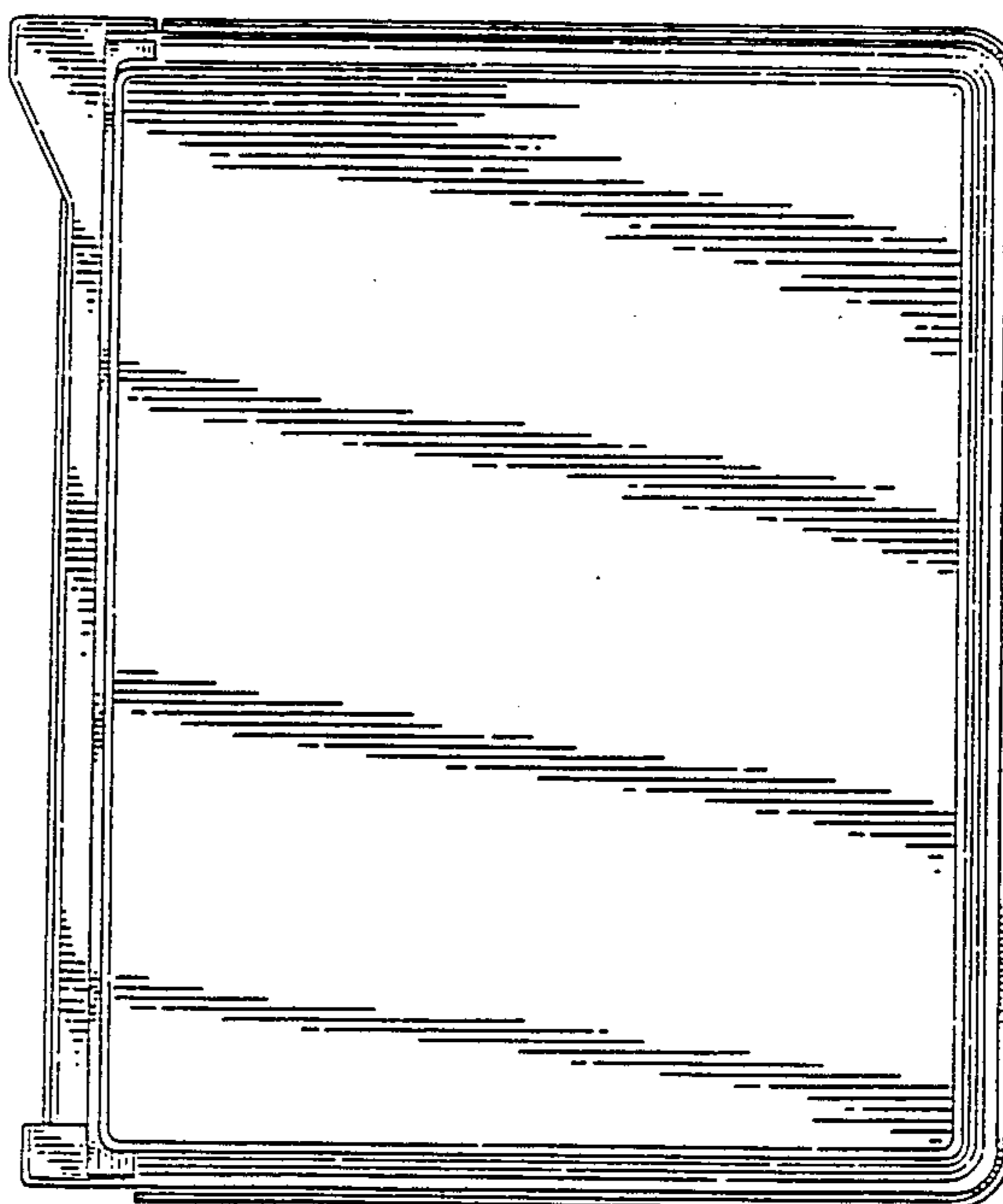
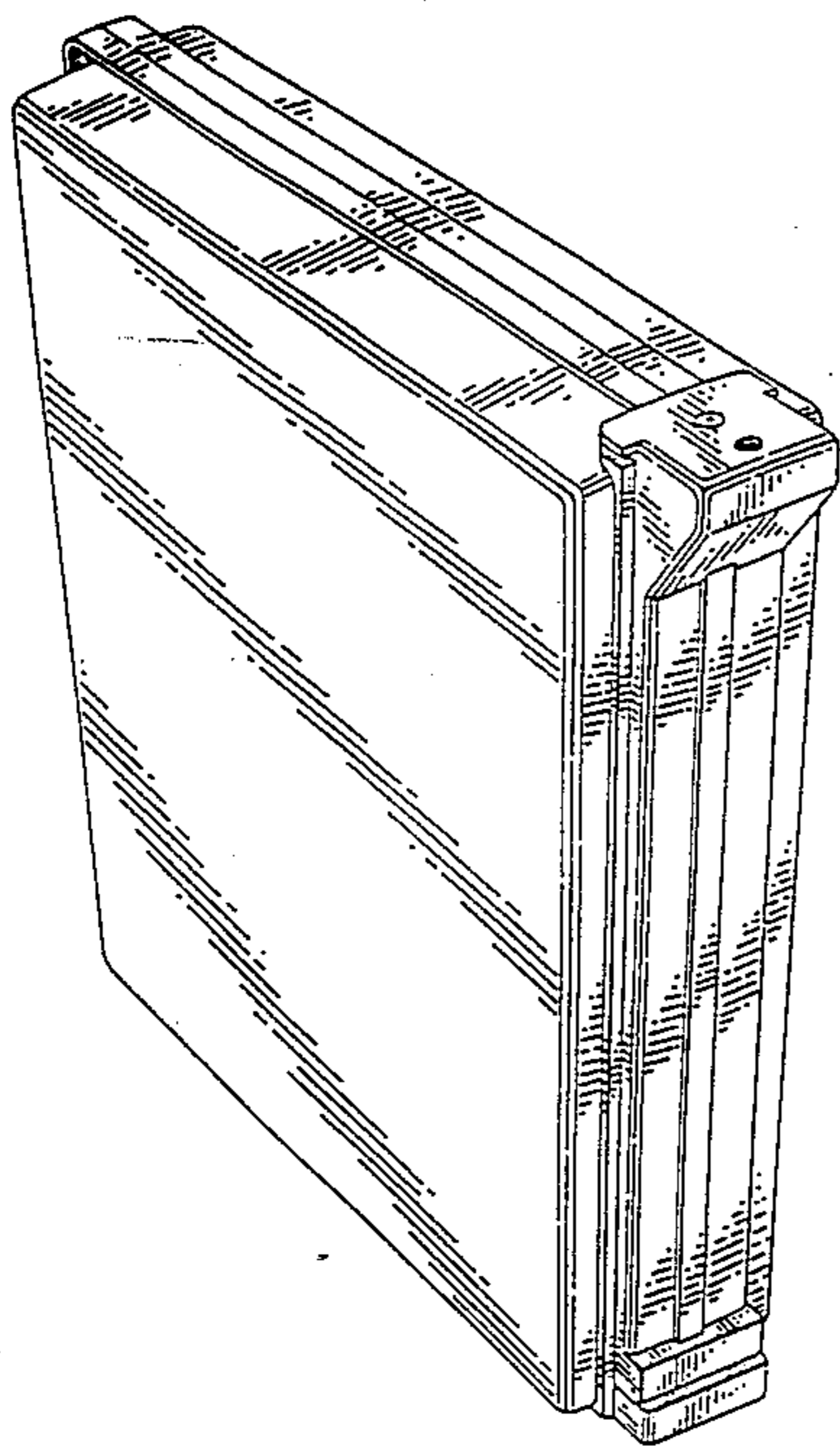
Primary Examiner—Wallace R. Burke  
Assistant Examiner—Pamela J. Schmidt  
Attorney, Agent, or Firm—Rogers & Scott

[57] CLAIM

The ornamental design for a book holder, as shown and described.

DESCRIPTION

FIG. 1 is a perspective view of a book holder showing our new design;  
FIG. 2 is a perspective view thereof, as seen from the bottom and opposite end;  
FIG. 3 is a top plan view thereof; and  
FIG. 4 is a side elevational view thereof.



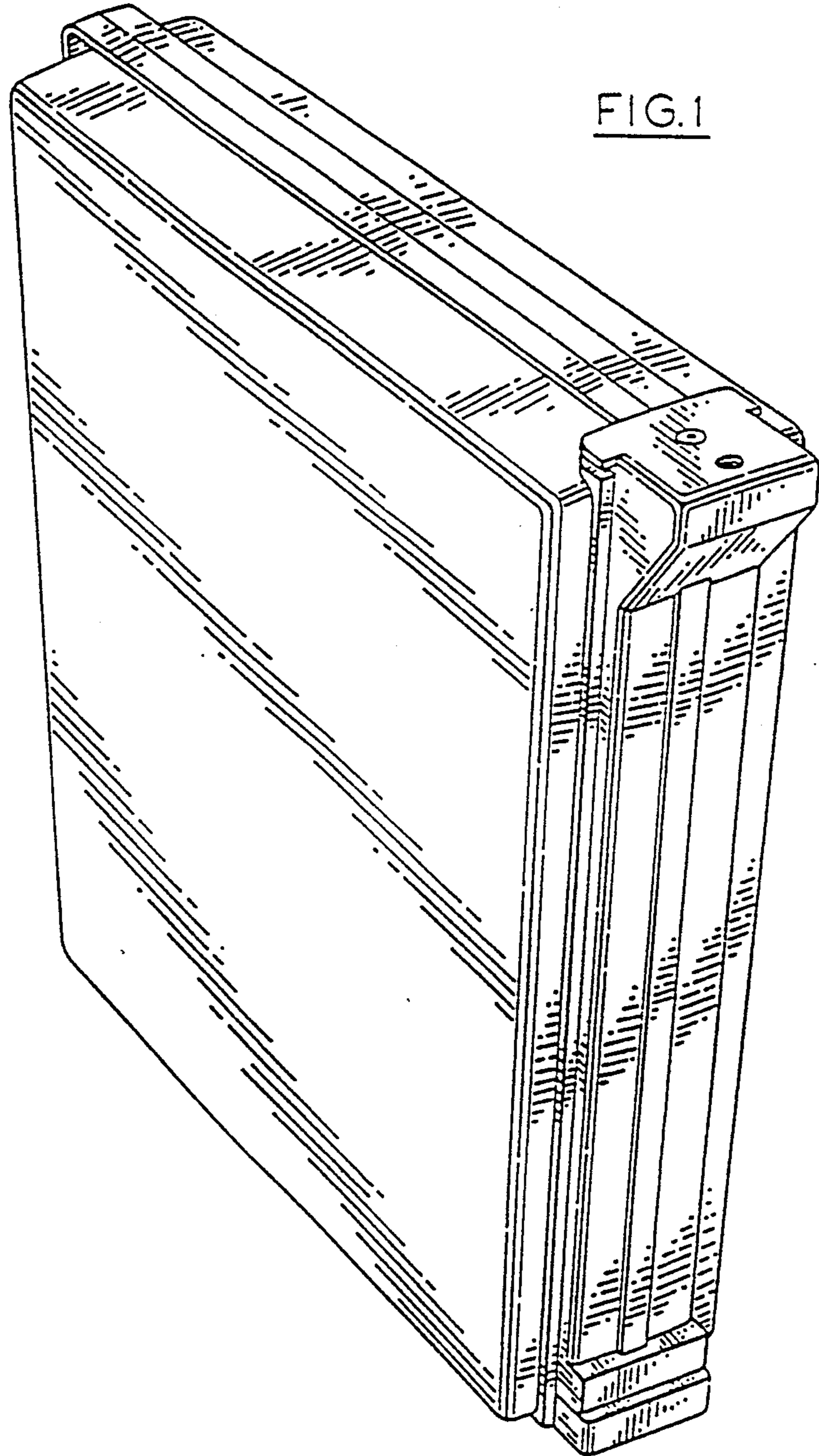


FIG. 1

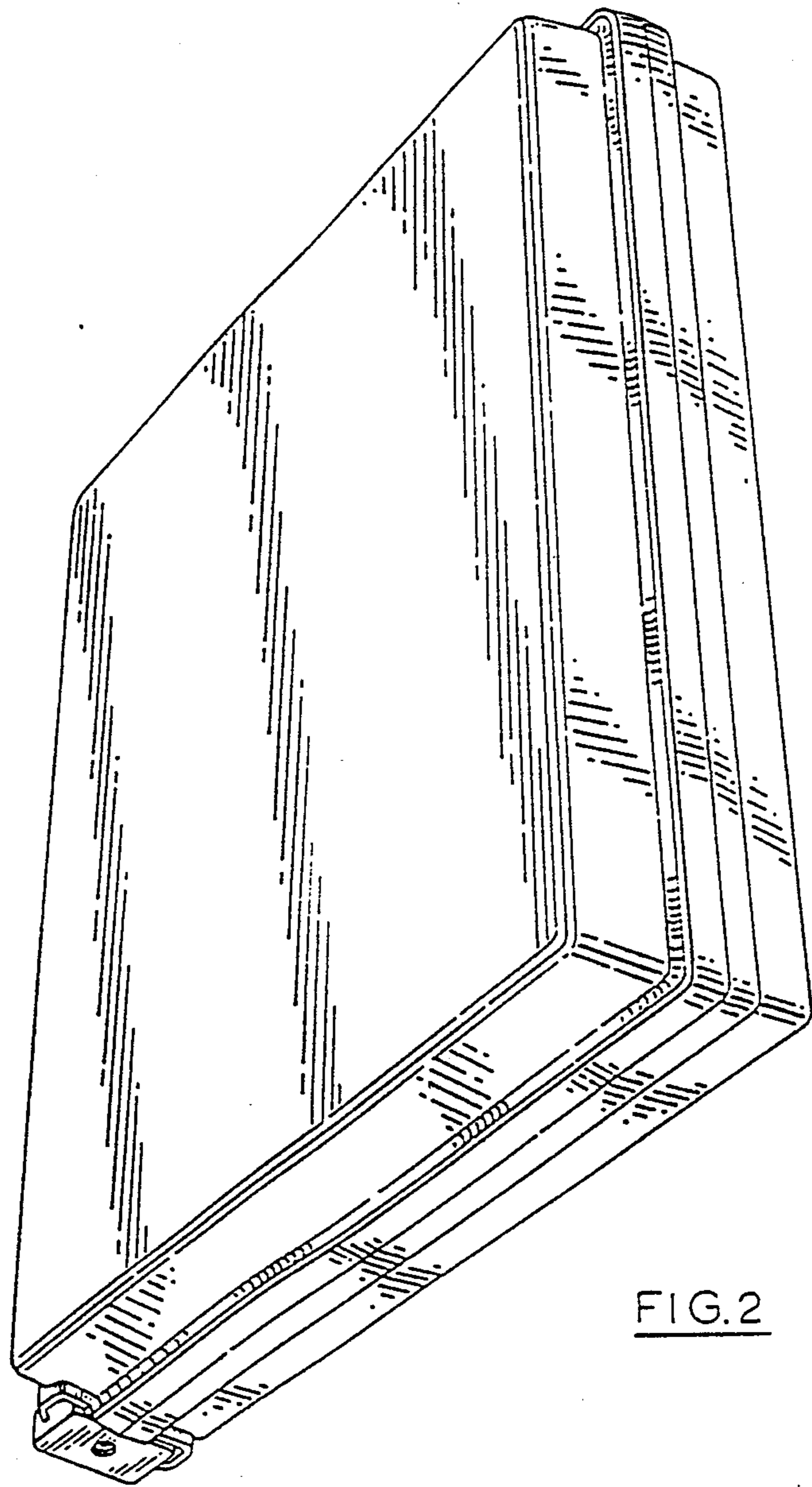


FIG. 2

FIG. 3

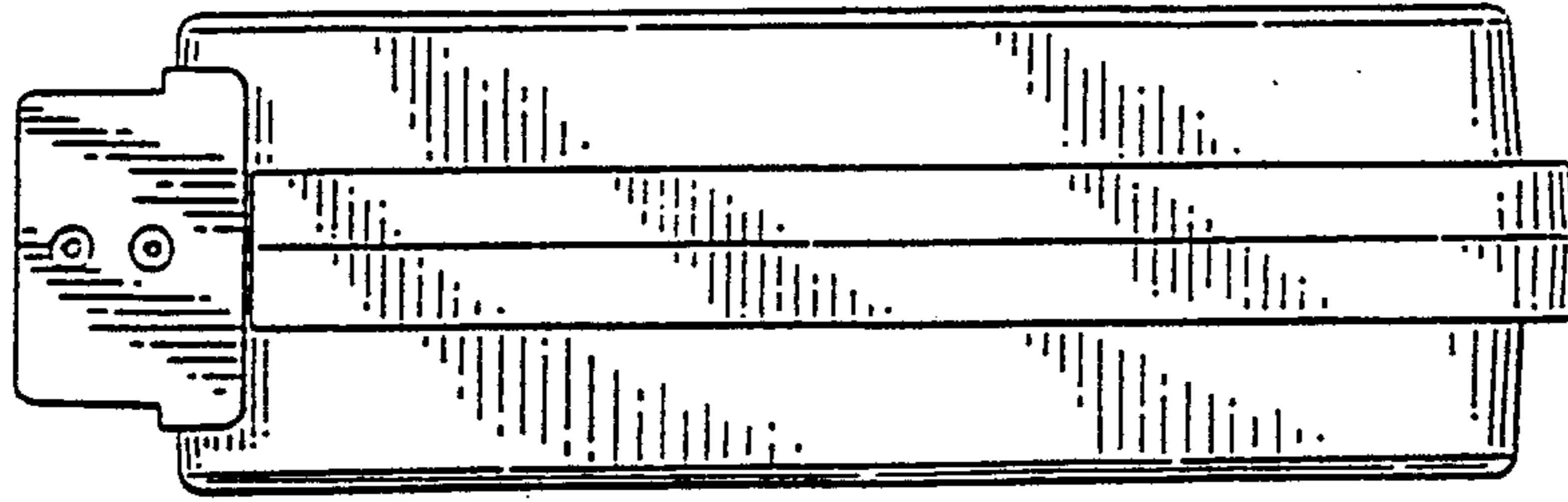


FIG. 4

