

[54] HOLDER FOR BUSINESS CARD

DESCRIPTION

[76] Inventor: John Ristuccia, Sr., 453 E. Susan La., Tempe, Ariz. 85281

[**] Term: 14 Years

[21] Appl. No.: 7,828

[22] Filed: Jan. 28, 1987

[52] U.S. Cl. D19/1

[58] Field of Search D19/1, 2, 6, 10, 75, D19/76, 27, 28; D3/56; D6/449; D20/43; 283/41, 36, 39; 40/379; 229/92.8; 281/41, 17, 19.1, 3.1, 15.1

[56] References Cited

U.S. PATENT DOCUMENTS

- D. 258,897 4/1981 Glaubinger D19/1
- D. 265,861 8/1982 Walasek D3/56 X
- D. 285,938 9/1986 Ventres, Jr. D19/1
- D. 287,666 1/1987 Long et al. D19/76 X
- 2,128,793 8/1938 Bey D19/1 X
- 4,784,508 11/1988 Shannon 283/36 X

OTHER PUBLICATIONS

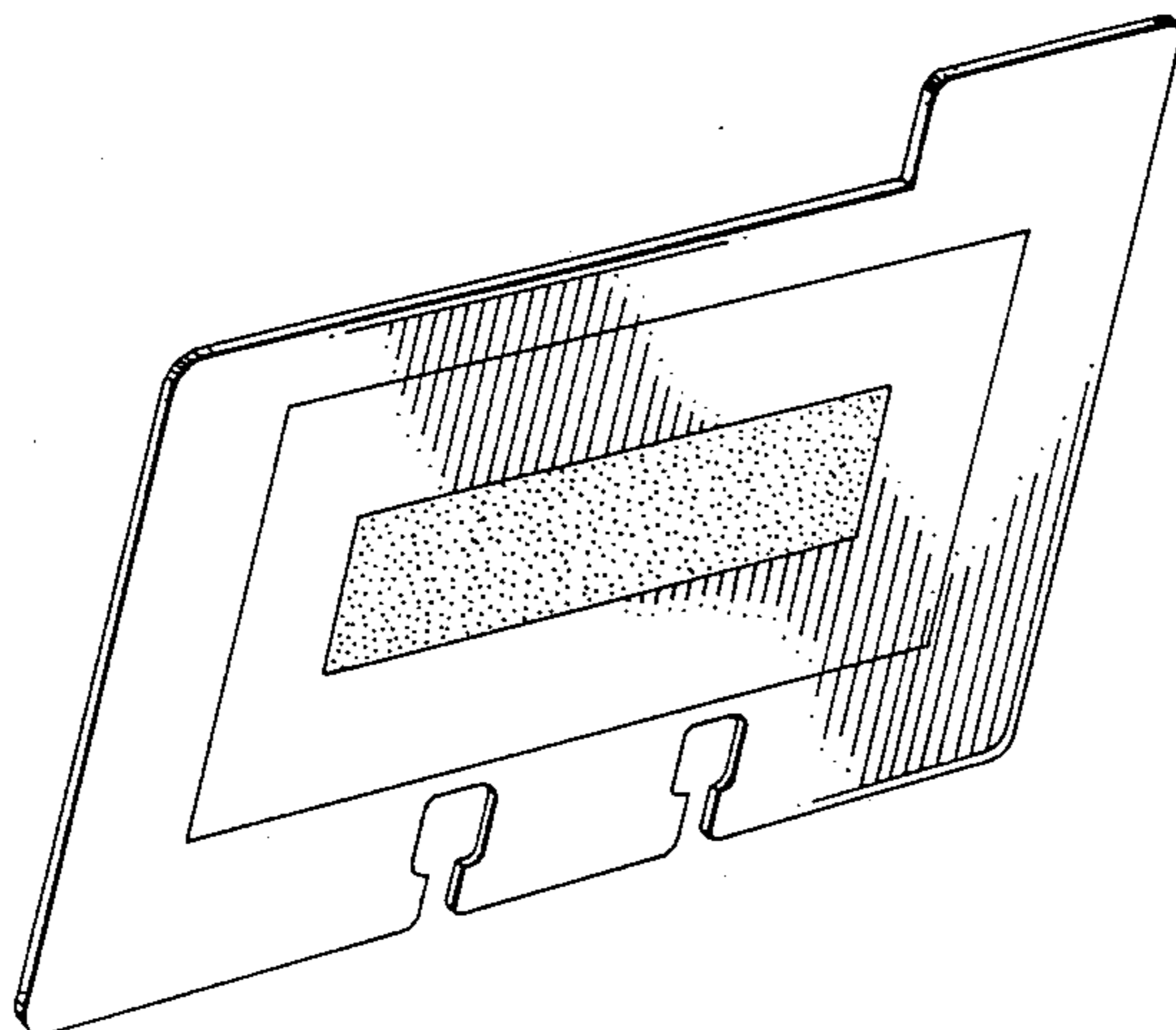
N. Shure Co. Catalog, 1938, p. 706, Index Guides on center of page.

Primary Examiner—James M. Gandy
Assistant Examiner—Pamela J. Schmidt
Attorney, Agent, or Firm—Don J. Flickinger; Jordan M. Meschkow; Lowell W. Gresham

[57] CLAIM

The ornamental design for a holder for business card, as shown and described.

FIG. 1 is a front perspective view of a holder for a business card showing my new design;
 FIG. 2 is a rear elevational view thereof;
 FIG. 3 is a top plan view thereof;
 FIG. 4 is a bottom plan view thereof;
 FIG. 5 is a left end elevational view thereof;
 FIG. 6 is a right end elevational view thereof;
 FIG. 7 is a front perspective view of a holder for a business card of a second embodiment of FIG. 1;
 FIG. 8 is a rear elevational view thereof;
 FIG. 9 is a top plan view thereof;
 FIG. 10 is a bottom plan view thereof;
 FIG. 11 is a left end elevational view thereof;
 FIG. 12 is a right end elevational view thereof;
 FIG. 13 is a front perspective view of a third embodiment of FIG. 1;
 FIG. 14 is a rear elevational view thereof;
 FIG. 15 is a top plan view thereof;
 FIG. 16 is a bottom plan view thereof;
 FIG. 17 is a left end elevational view thereof;
 FIG. 18 is a right end elevational view thereof;
 FIG. 19 is a front perspective view of a fourth embodiment of FIG. 1;
 FIG. 20 is a rear elevational view thereof;
 FIG. 21 is a top plan view thereof;
 FIG. 22 is a bottom plan view thereof;
 FIG. 23 is a left end elevational view thereof;
 FIG. 24 is a right end elevational view thereof;
 FIG. 25 is a front perspective view of a fifth embodiment of FIG. 1;
 FIG. 26 is a rear elevational view thereof;
 FIG. 27 is a top plan view thereof;
 FIG. 28 is a bottom plan view thereof;
 FIG. 29 is a left end elevational view thereof; and
 FIG. 30 is a right end elevational view thereof.



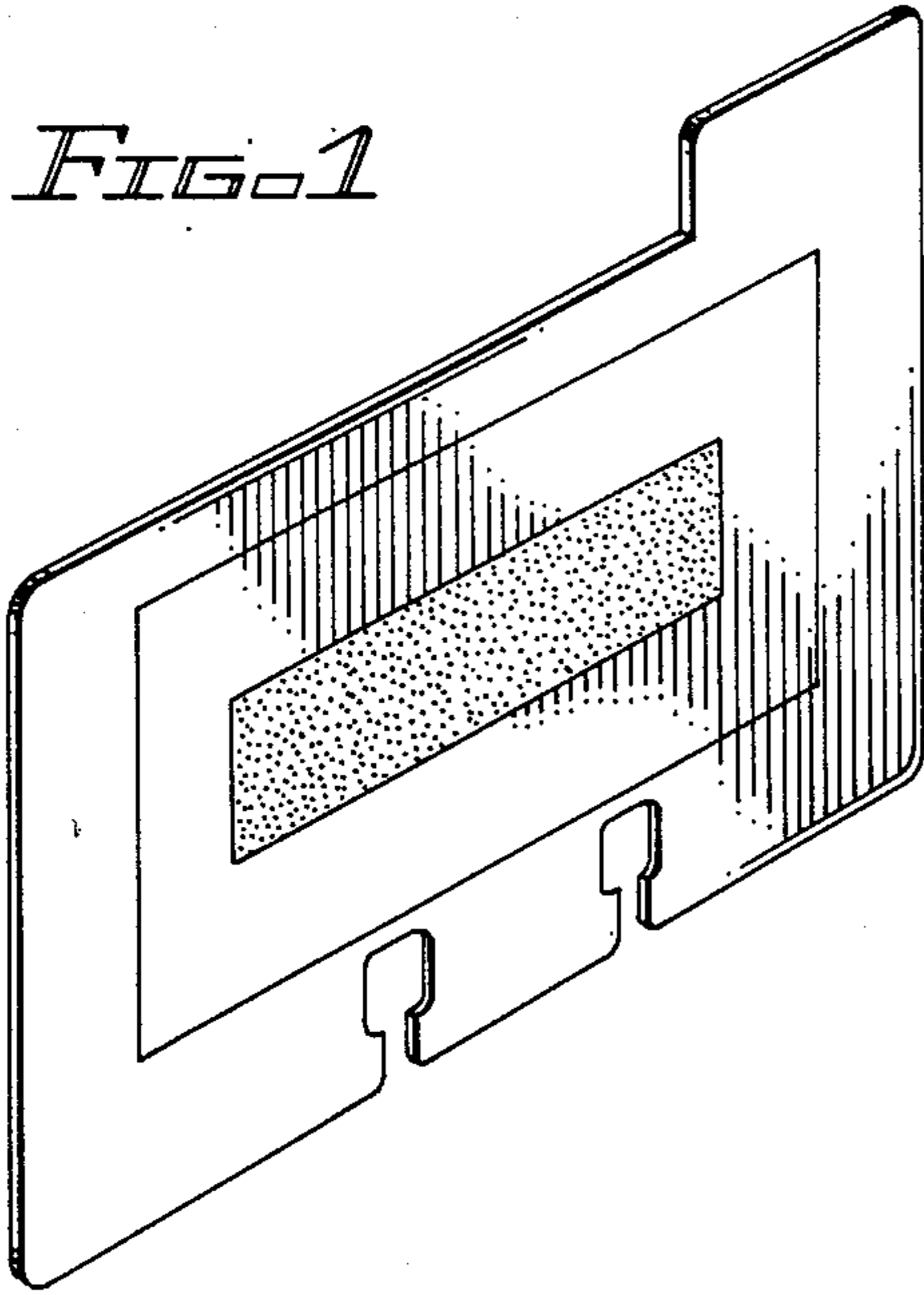


FIG. 1

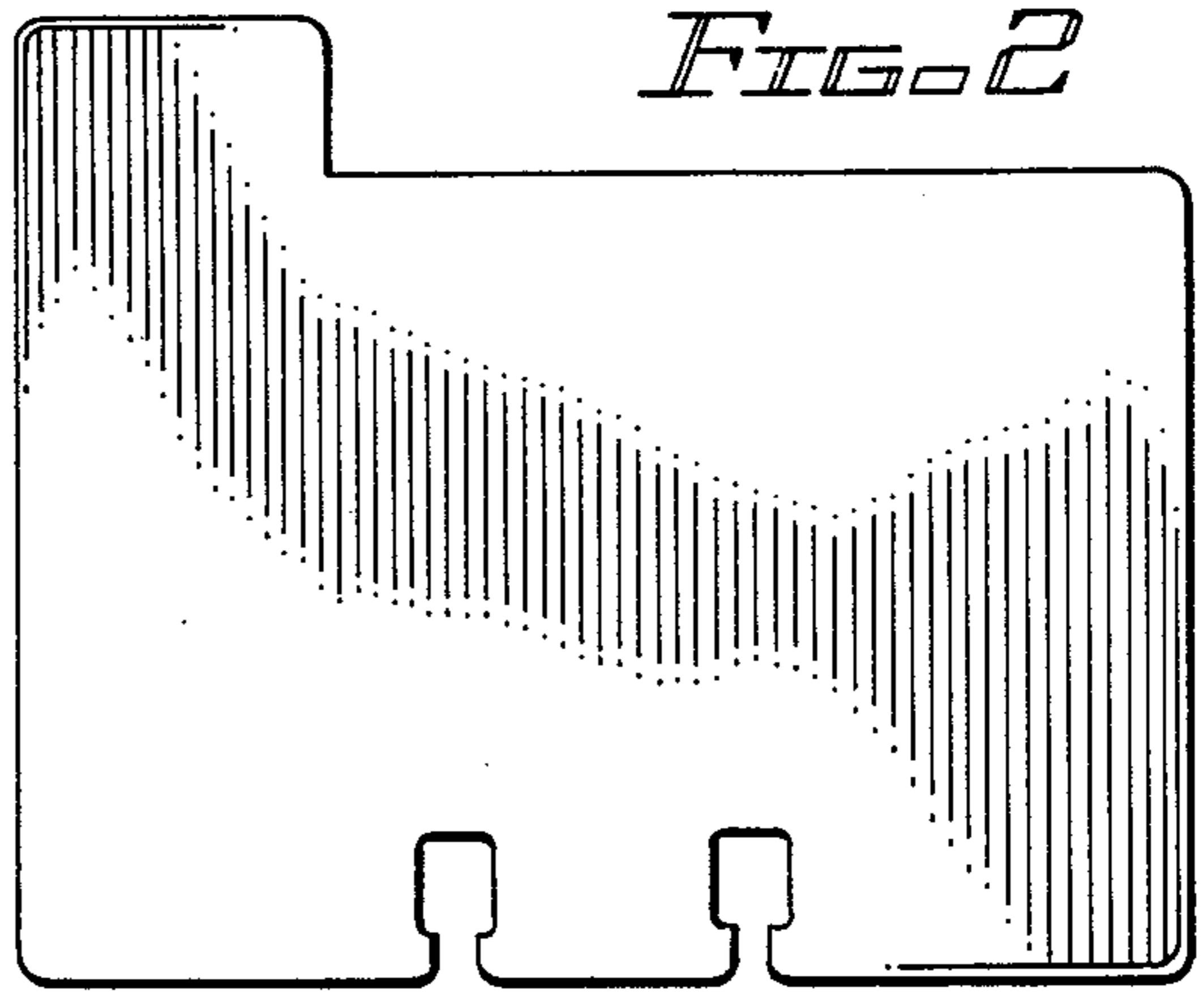


FIG. 2



FIG. 3



FIG. 4

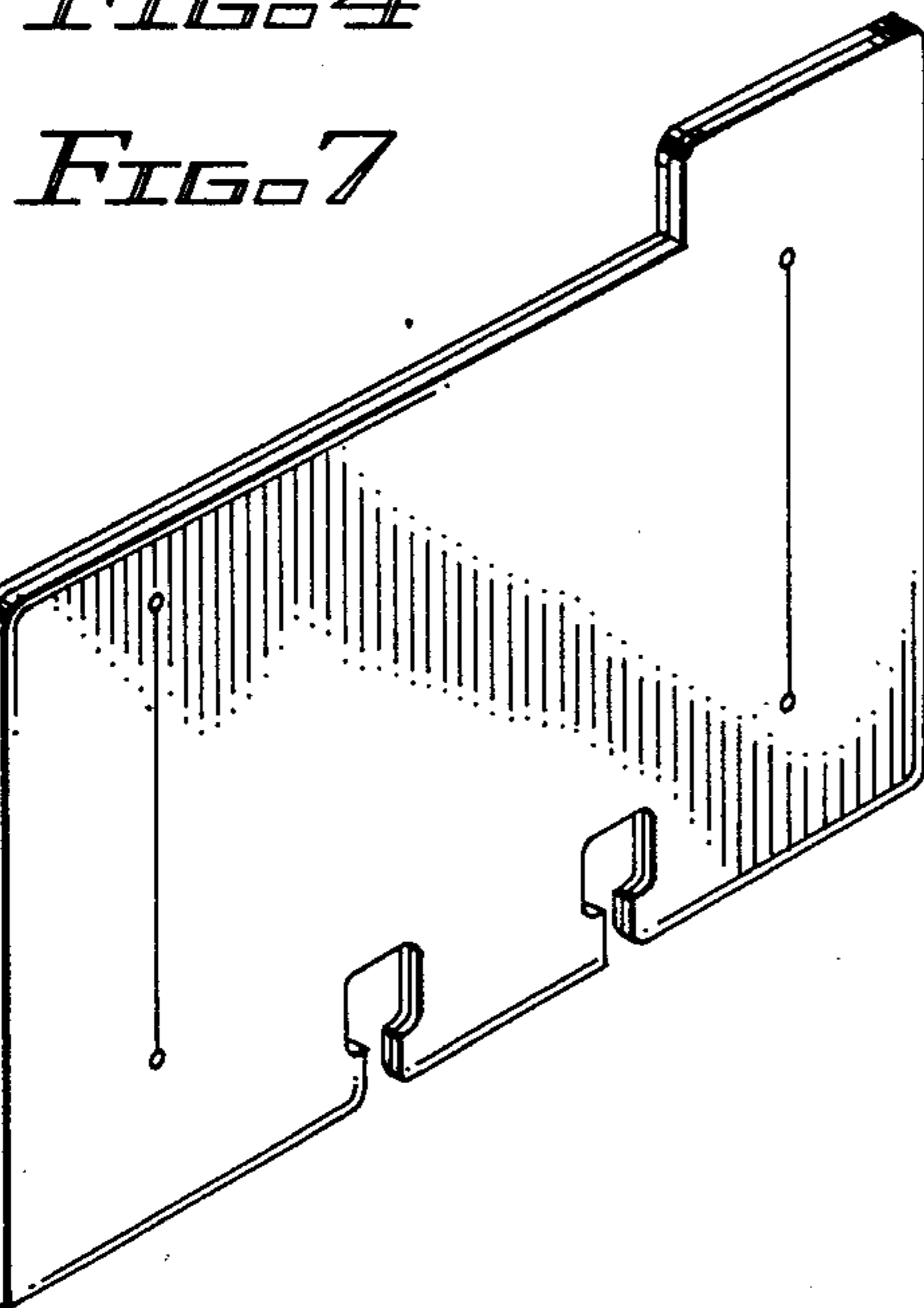


FIG. 7

FIG. 5

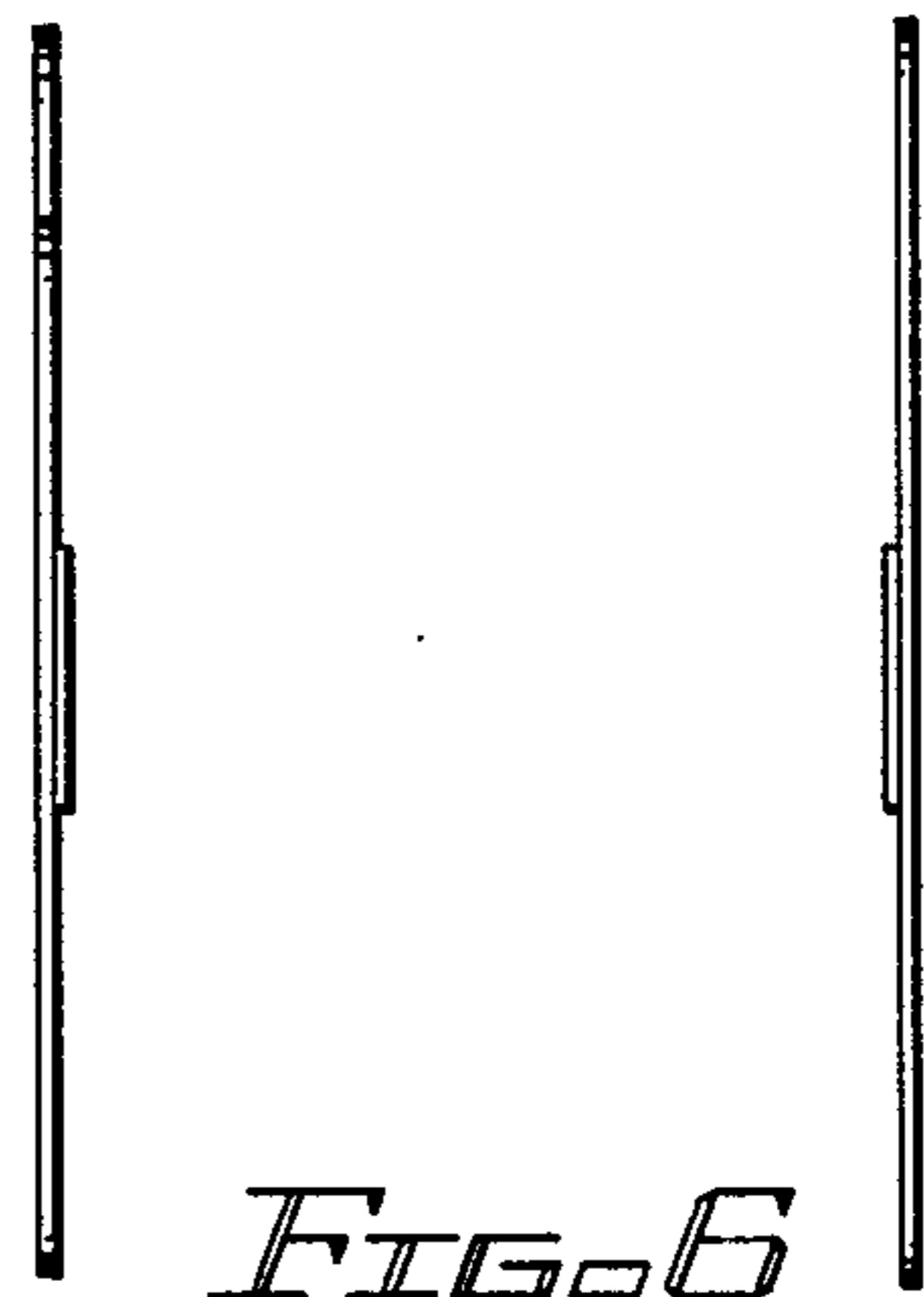


FIG. 6

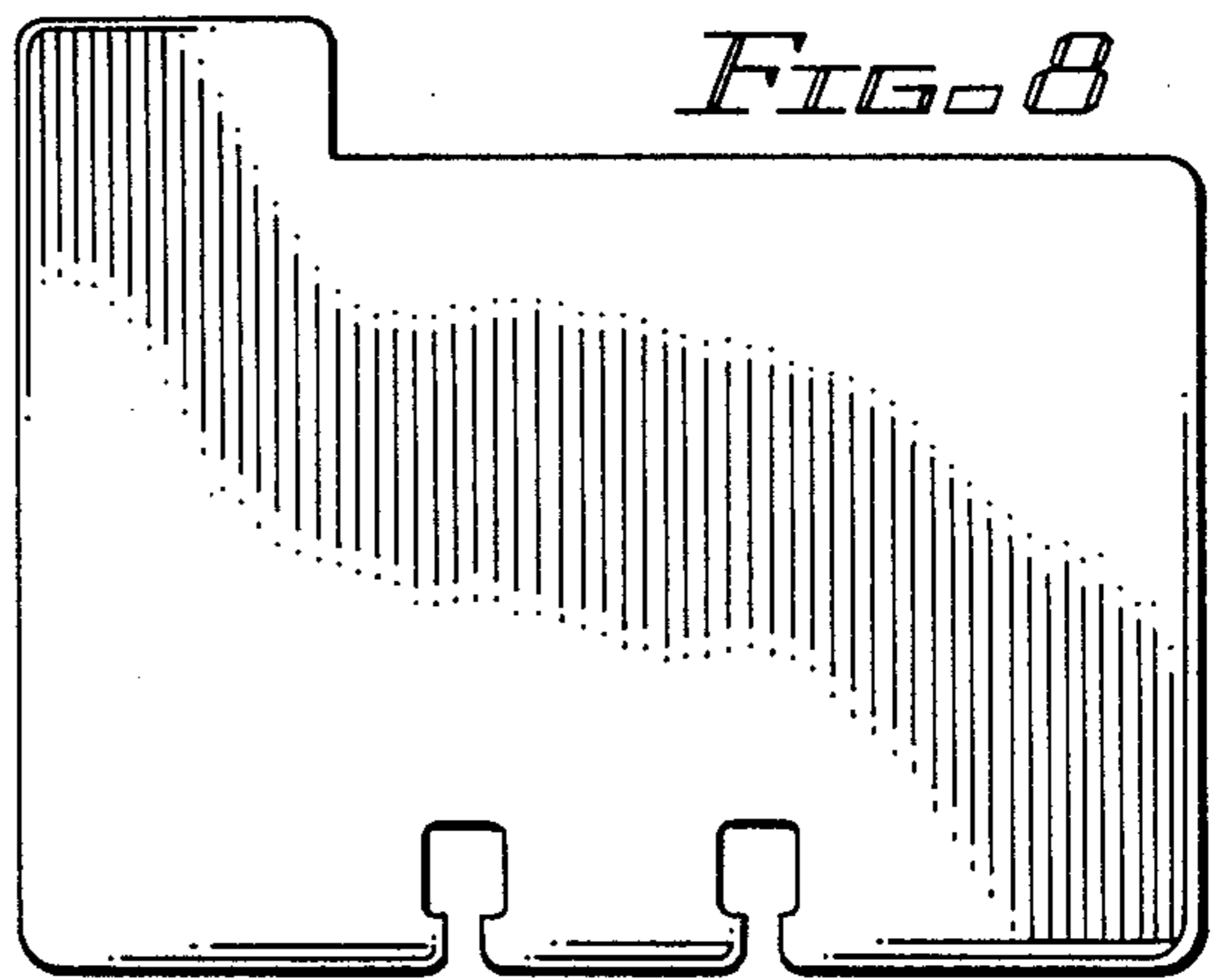


FIG. 8



FIG. 9

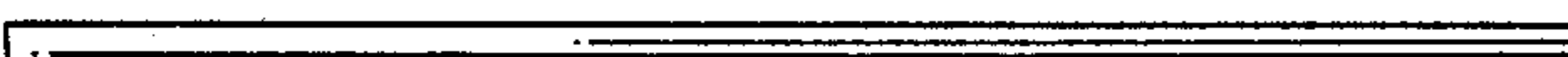


FIG. 10

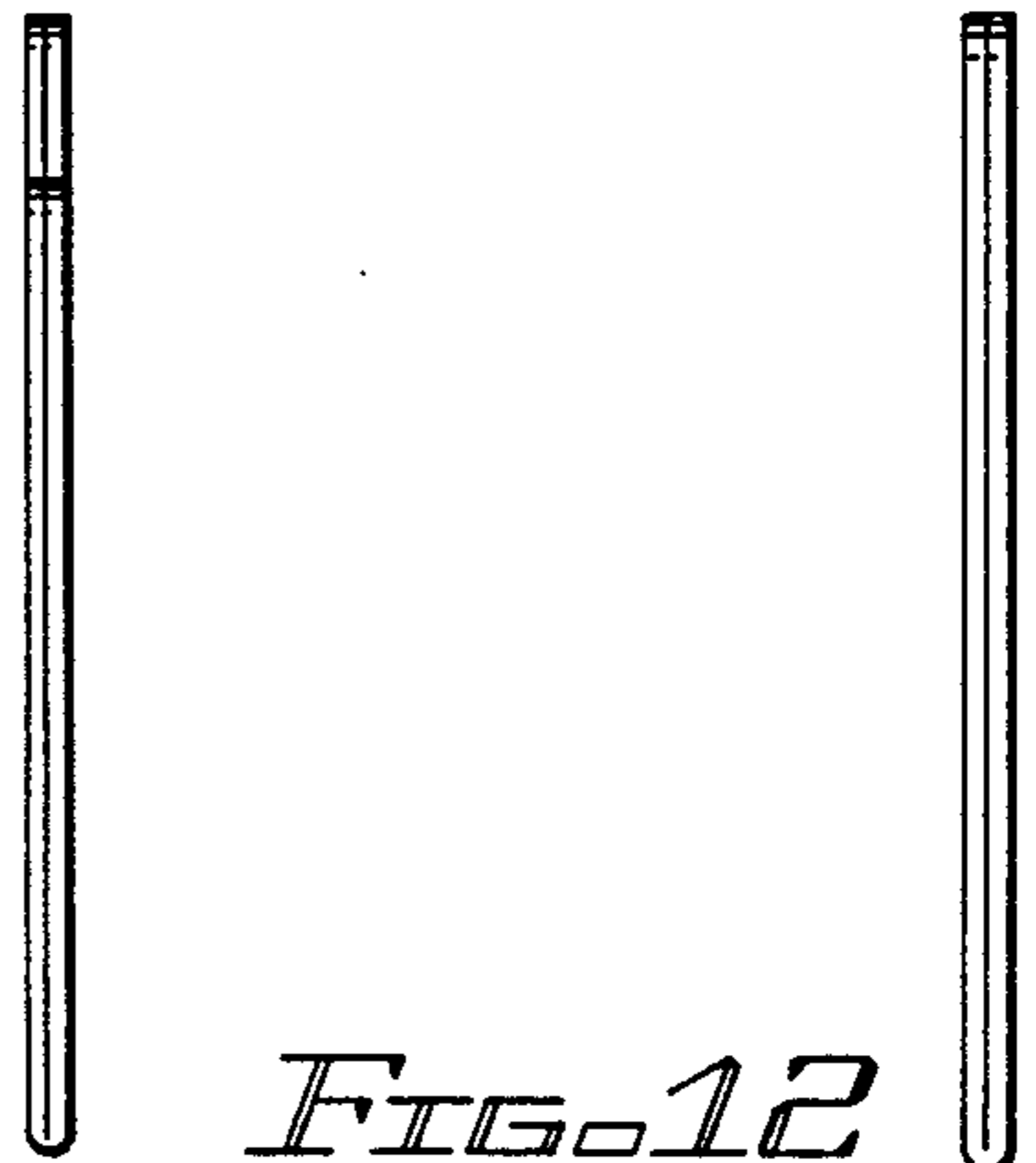


FIG. 11

FIG. 12

FIG. 13

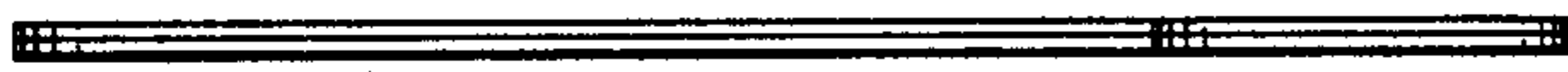
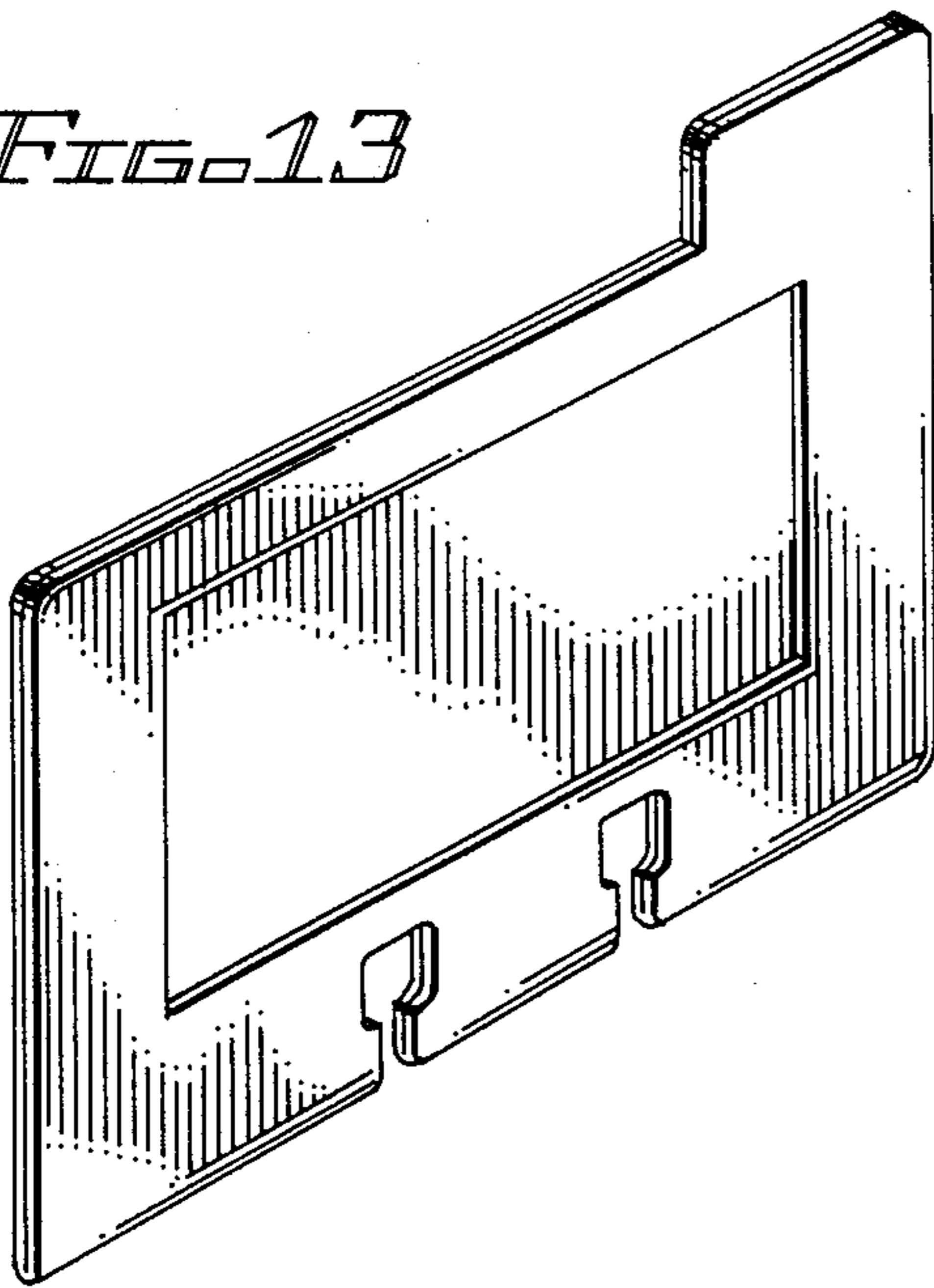


FIG. 15

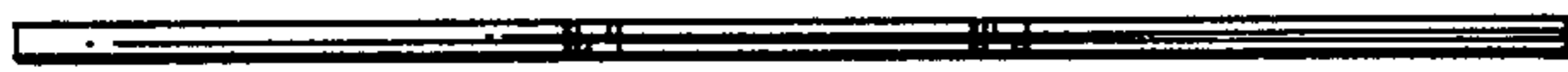


FIG. 16

FIG. 19

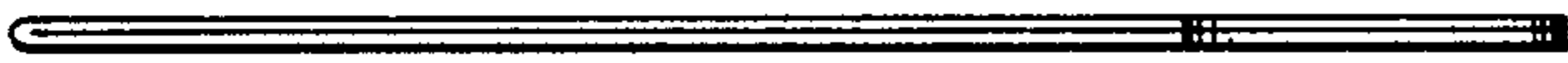
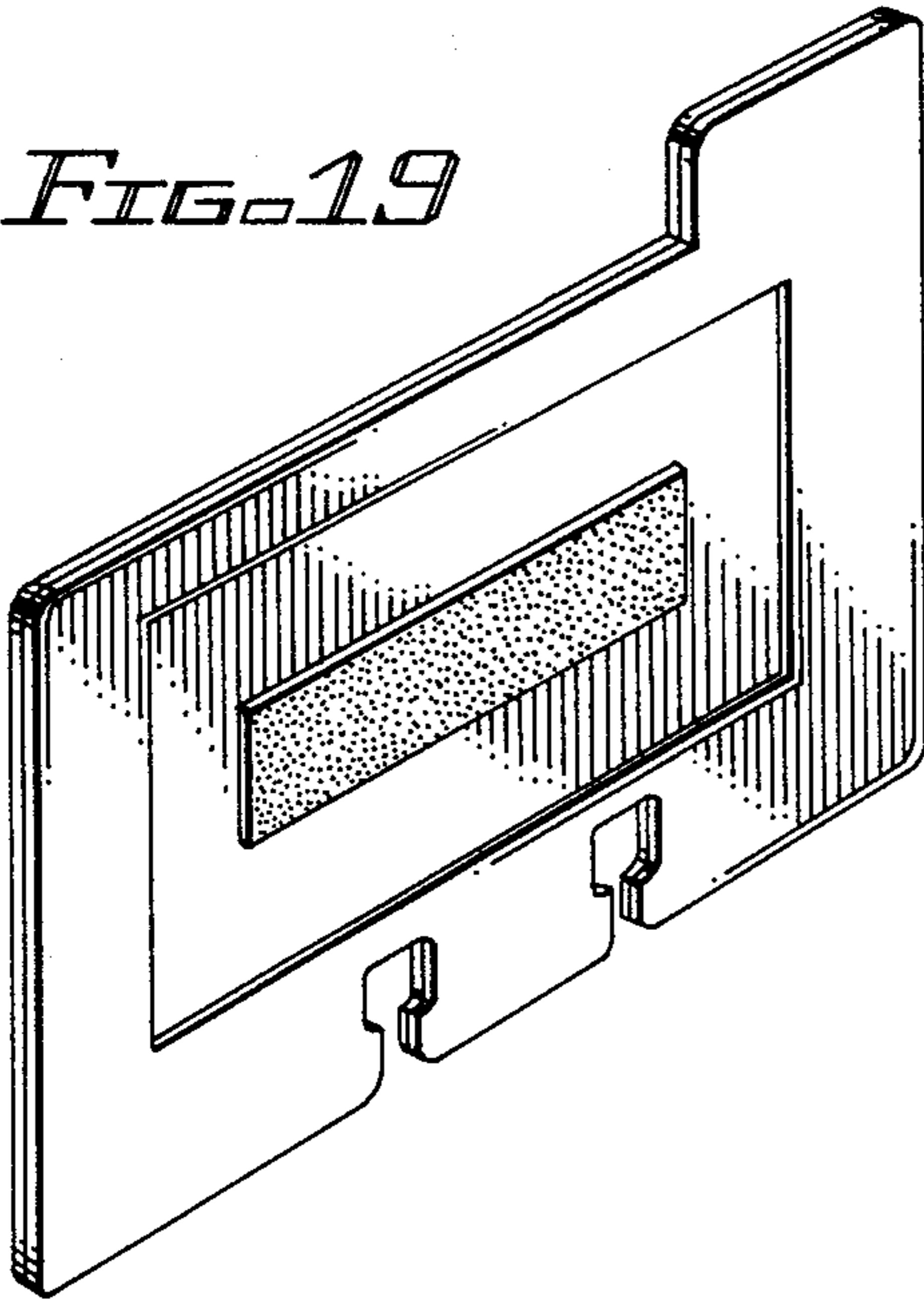


FIG. 21



FIG. 22

FIG. 17



FIG. 18



FIG. 20

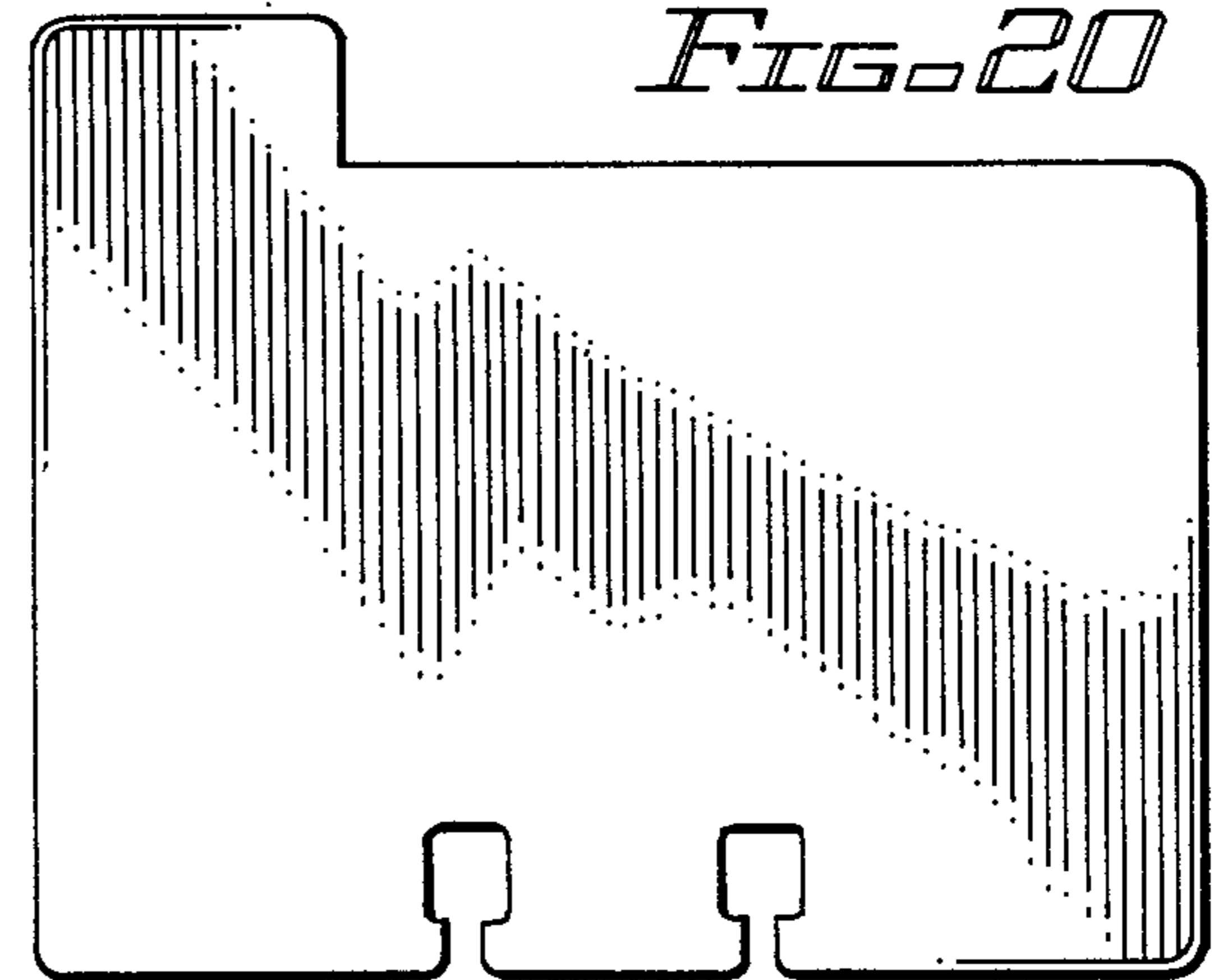
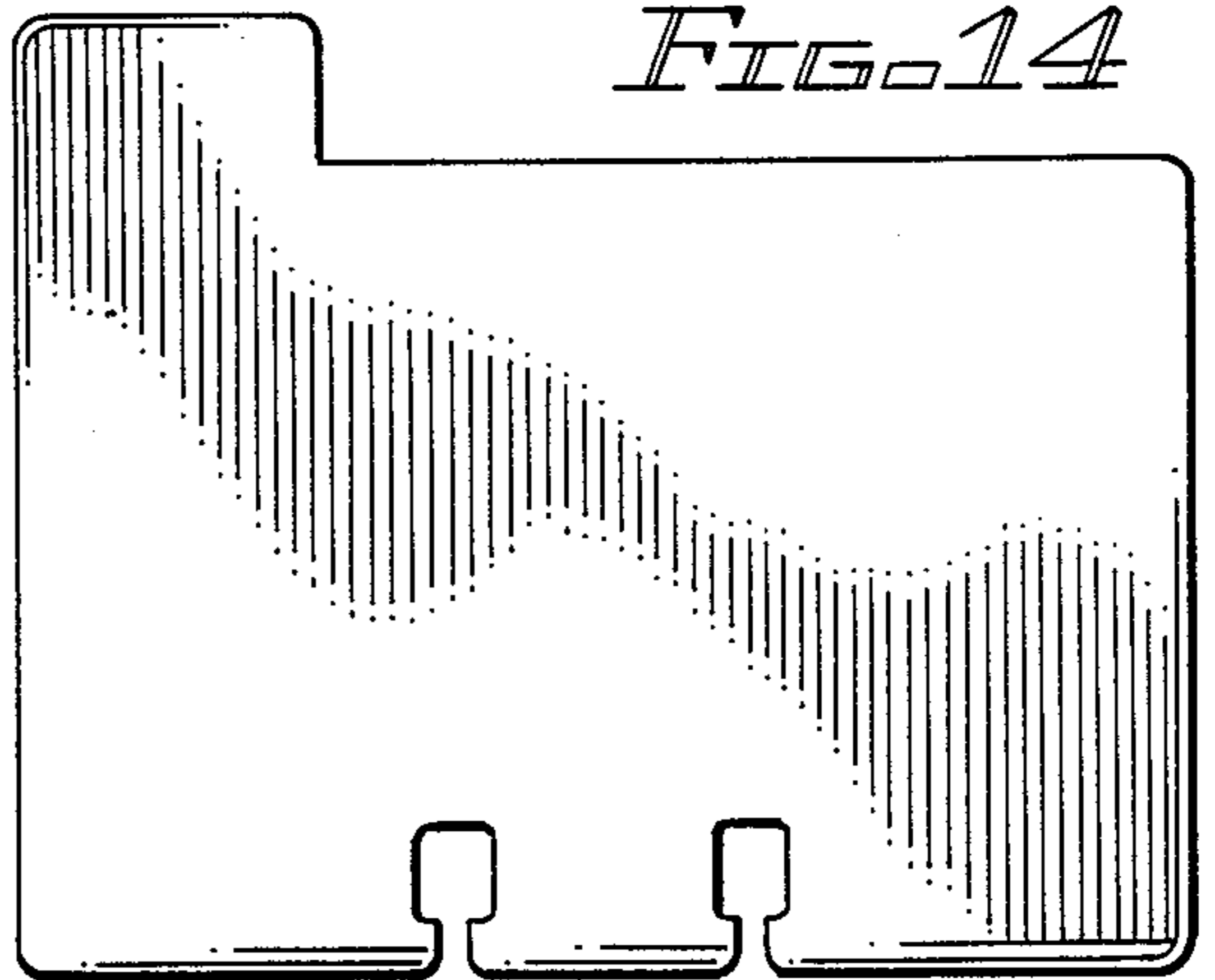


FIG. 23

FIG. 24



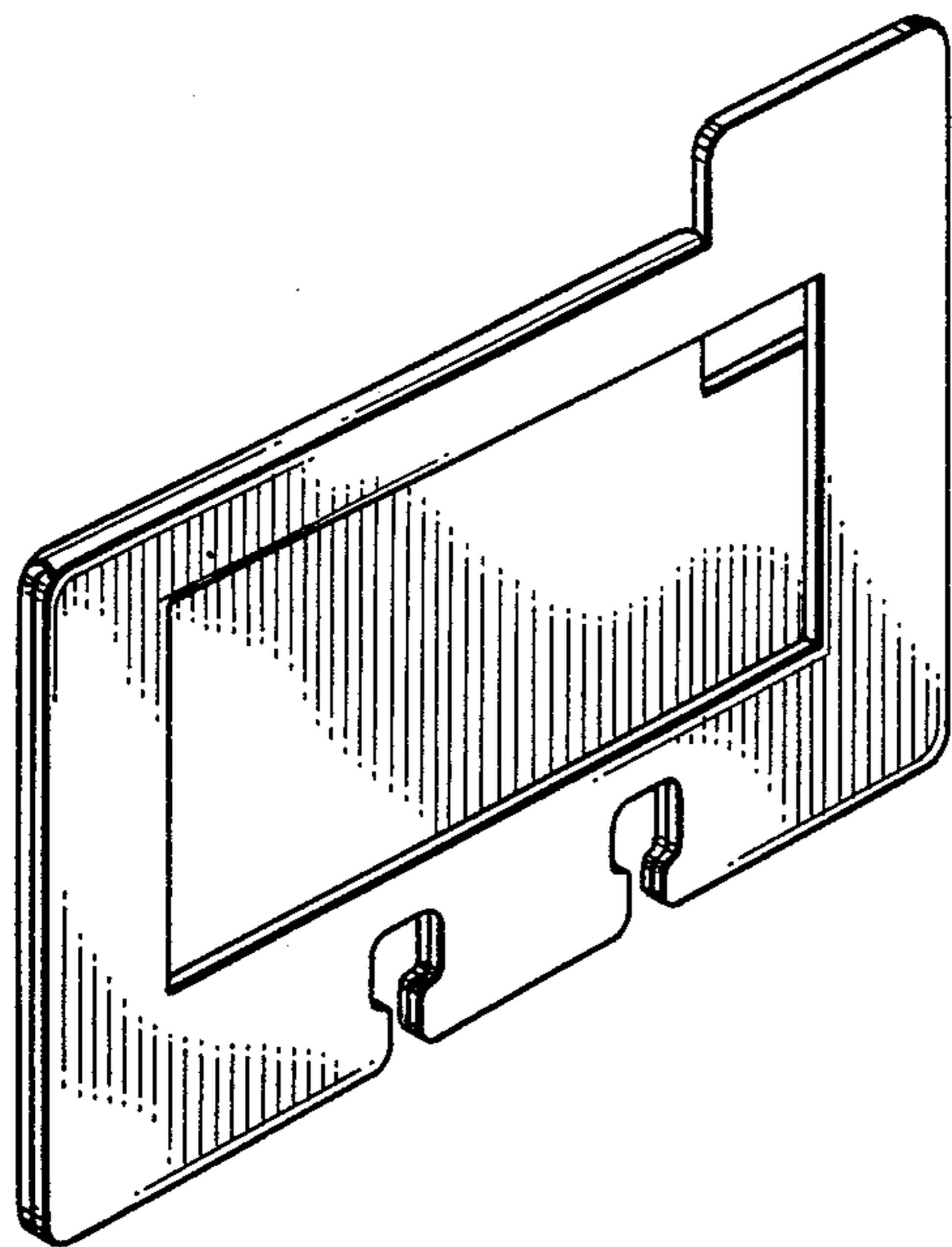


FIG. 25

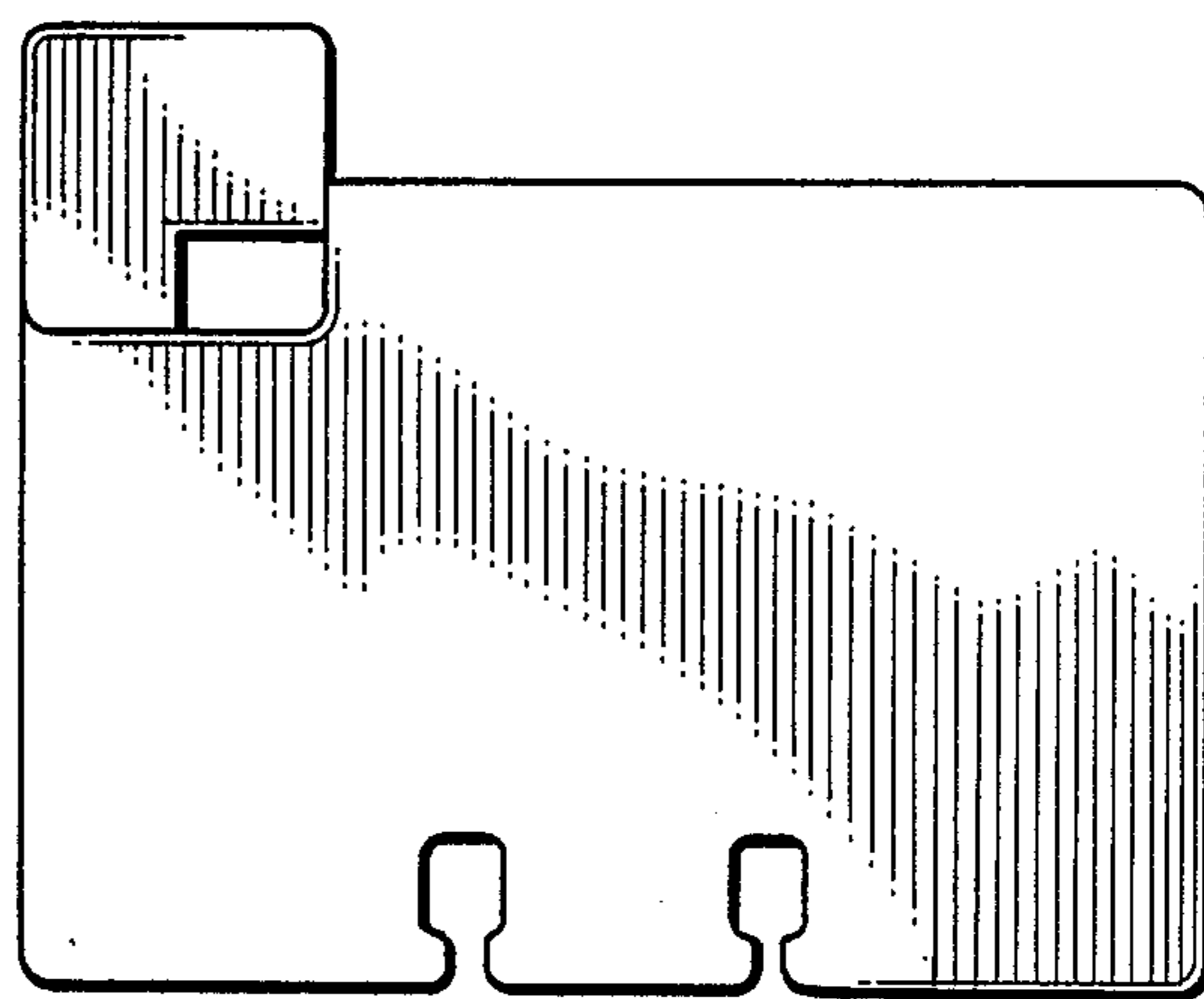


FIG. 26



FIG. 27



FIG. 28



FIG. 29



FIG. 30

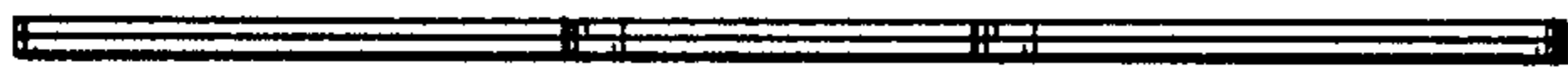


FIG. 31



FIG. 32



FIG. 33