

[54] COMBINED GUITAR AND KEYBOARD

[76] Inventors: Debra S. Stone; Gary Hahn, both of 1300 Lambert Rd., La Habra, Calif. 90631

[**] Term: 14 Years

[21] Appl. No.: 24,396

[22] Filed: Mar. 11, 1987

[52] U.S. Cl. D17/2; D17/15

[58] Field of Search D17/15, 14, 18, 19, D17/20; 84/600, 601, 722, 731, 735, 736, 267, 291, 293

[56] References Cited

U.S. PATENT DOCUMENTS

D. 183,681	10/1958	Deaver	D17/15
D. 224,841	9/1972	Dawson	D17/15
D. 255,803	7/1980	Leal	D17/2
D. 256,366	8/1980	Dworsky	D17/14
3,541,912	11/1970	Radke	84/722

3,555,166	1/1971	Gasser	84/1.16
4,091,702	5/1978	Murakami	84/1.16
4,785,705	11/1988	Patterson	84/267

Primary Examiner—Bernard Ansher
Assistant Examiner—Adir Aronovich
Attorney, Agent, or Firm—Harvey C. Nienow

[57] CLAIM

The ornamental design for a combined guitar and keyboard.

DESCRIPTION

FIG. 1 is a front elevational view of a combined guitar and keyboard showing our new design; FIG. 2 is a rear elevational view thereof; FIG. 3 is a right side elevational view thereof; FIG. 4 is a left side elevational view thereof; FIG. 5 is a top plan view thereof; FIG. 6 is a bottom plan view thereof; FIG. 7 is a top, front perspective view thereof; and FIG. 8 is a rear, bottom perspective view thereof.

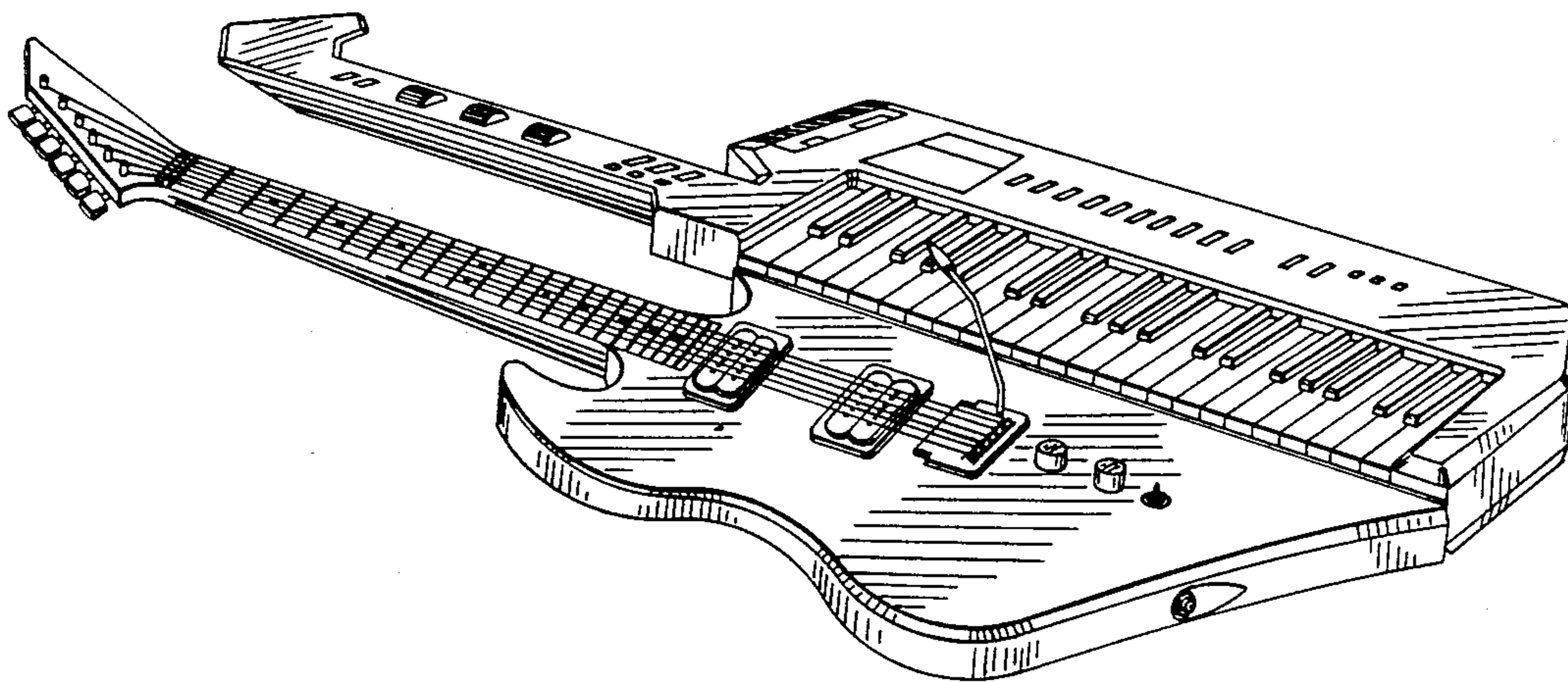


FIG. 1

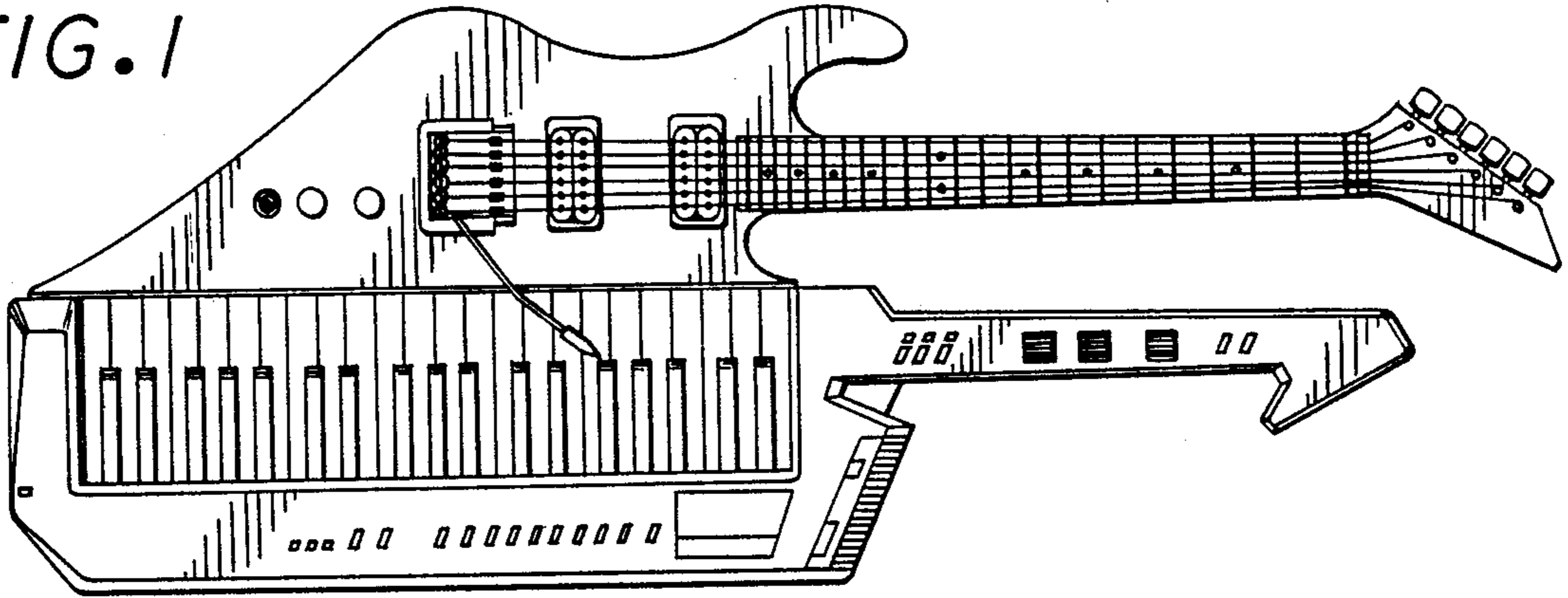


FIG. 2

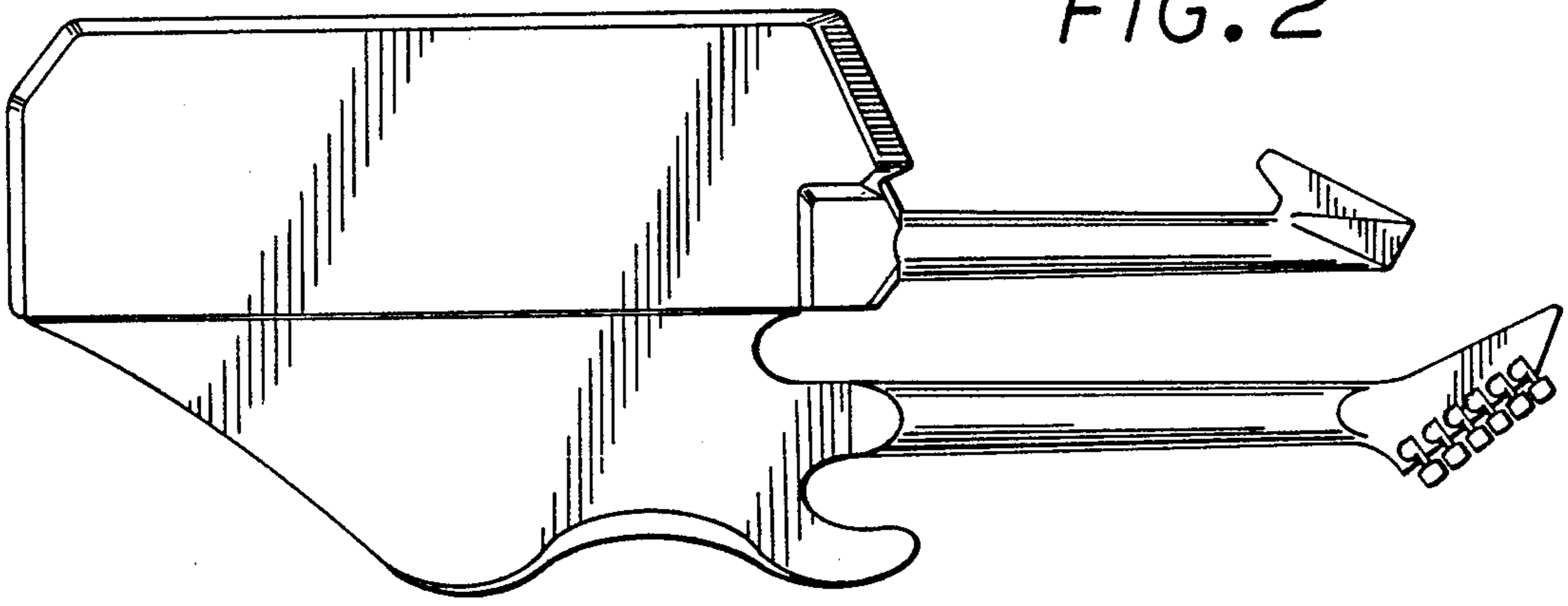


FIG. 3



FIG. 4



FIG. 5

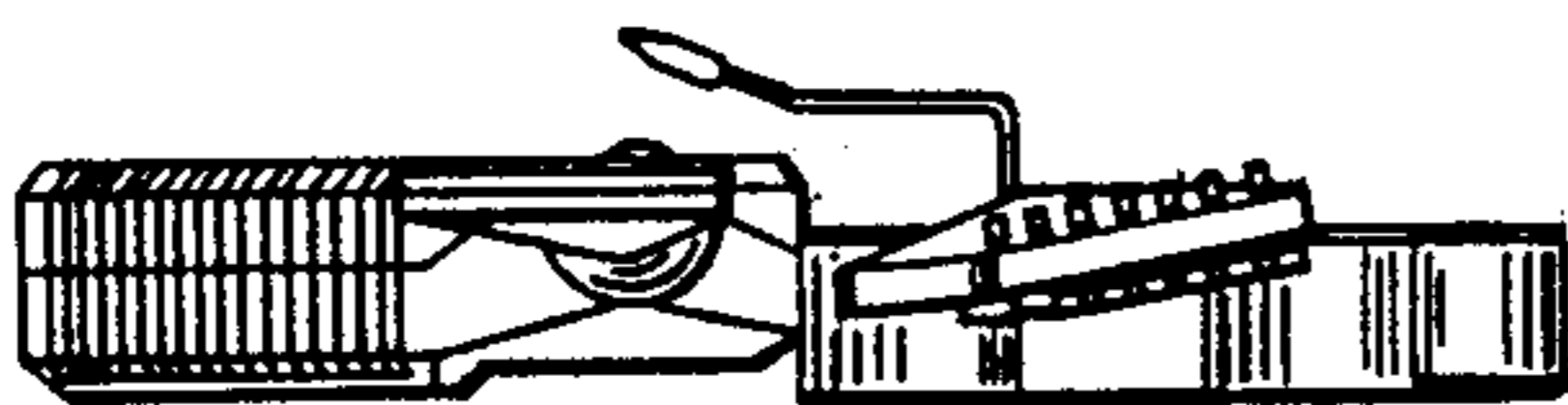


FIG. 6

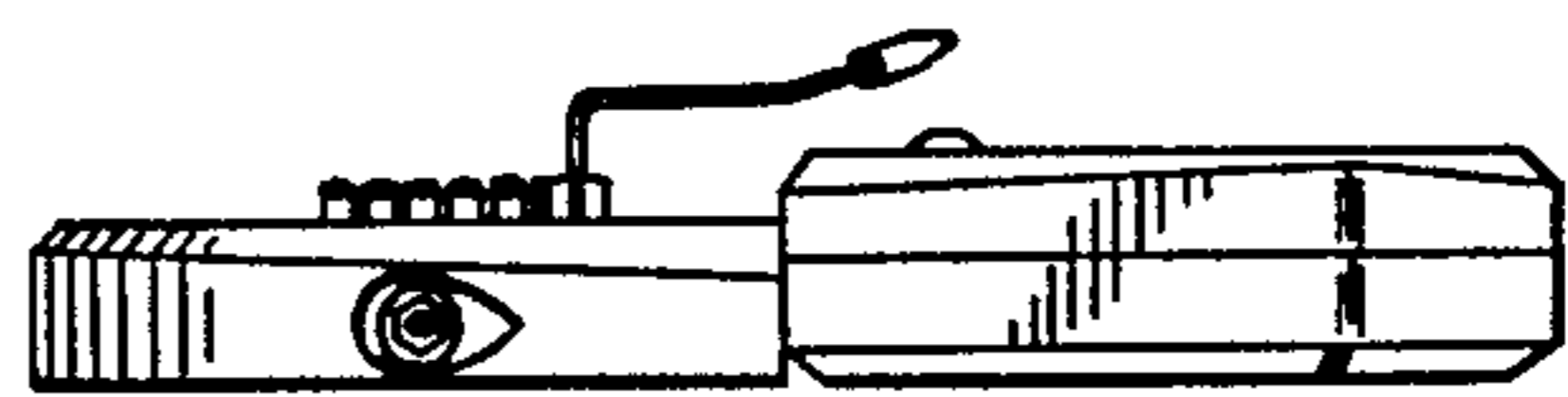


FIG. 7

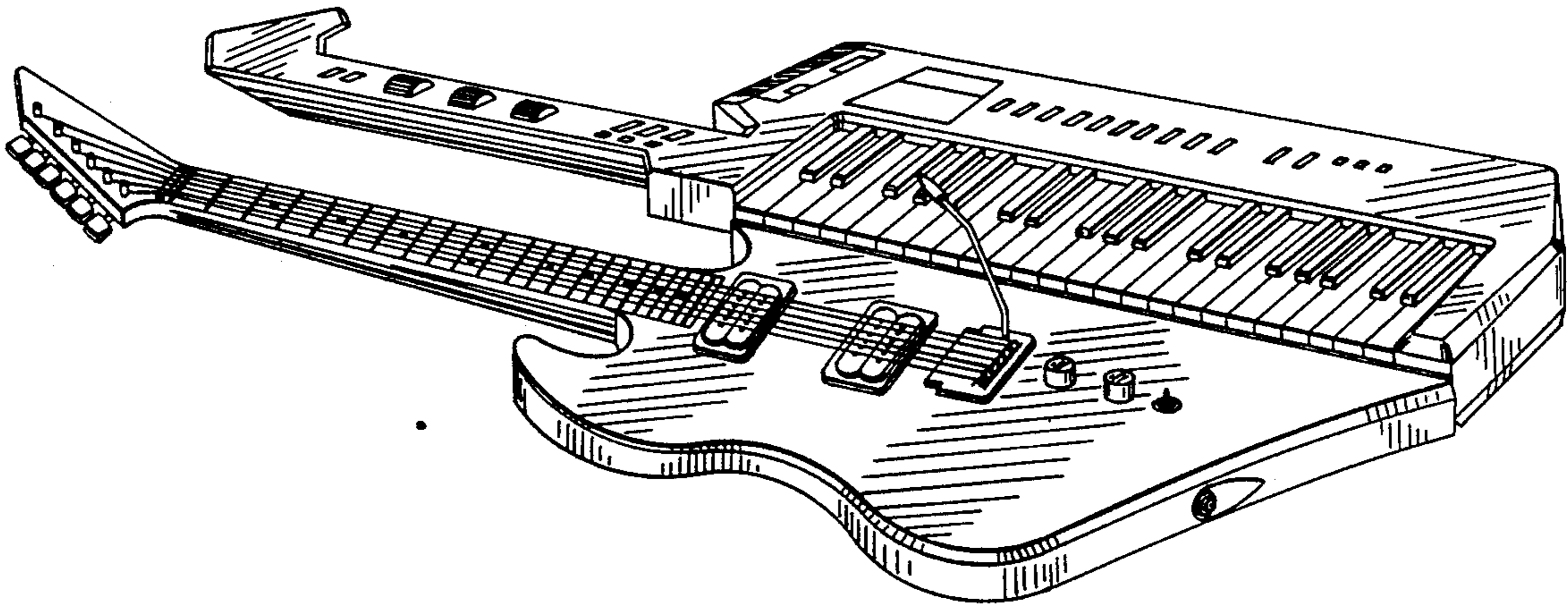


FIG. 8

