

[54] SEWING MACHINE

[75] Inventors: Sanae Takada, Kawasaki; Toshiya Sekiguchi, Chiba, both of Japan

[73] Assignee: Tokyo Juki Industrial Co., Ltd., Tokyo, Japan

[\*\*] Term: 14 Years

[21] Appl. No.: 159,643

[22] Filed: Feb. 24, 1988

[30] Foreign Application Priority Data

Aug. 31, 1987 [JP] Japan ..... 62-35490  
[52] U.S. Cl. .... D15/70  
[58] Field of Search ..... D15/66-76,  
D15/199; 112/258-261, 217.1-217.4, 262.1

[56] References Cited

U.S. PATENT DOCUMENTS

D. 267,881 2/1983 Current ..... D15/68  
D. 278,823 5/1985 Yoneda ..... D15/69  
D. 292,928 11/1987 Lo ..... D15/69

D. 298,044 10/1988 Sekiguchi ..... D15/69  
4,718,364 1/1988 Kessler ..... 112/259

OTHER PUBLICATIONS

Vogue Patterns, 11/85, p. 14, pic. of Bernina on bottom left.

Primary Examiner—B. J. Bullock  
Assistant Examiner—Sandra Morris  
Attorney, Agent, or Firm—Abelman Frayne Rezac & Schwab

[57] CLAIM

The ornamental design for a sewing machine, as shown.

DESCRIPTION

FIG. 1 is a front view of a sewing machine, showing our new design;  
FIG. 2 is a rear view thereof;  
FIG. 3 is a top view thereof;  
FIG. 4 is an underside view thereof;  
FIG. 5 is a left side view thereof;  
FIG. 6 is a right side view thereof.  
FIG. 7 is a perspective view thereof.

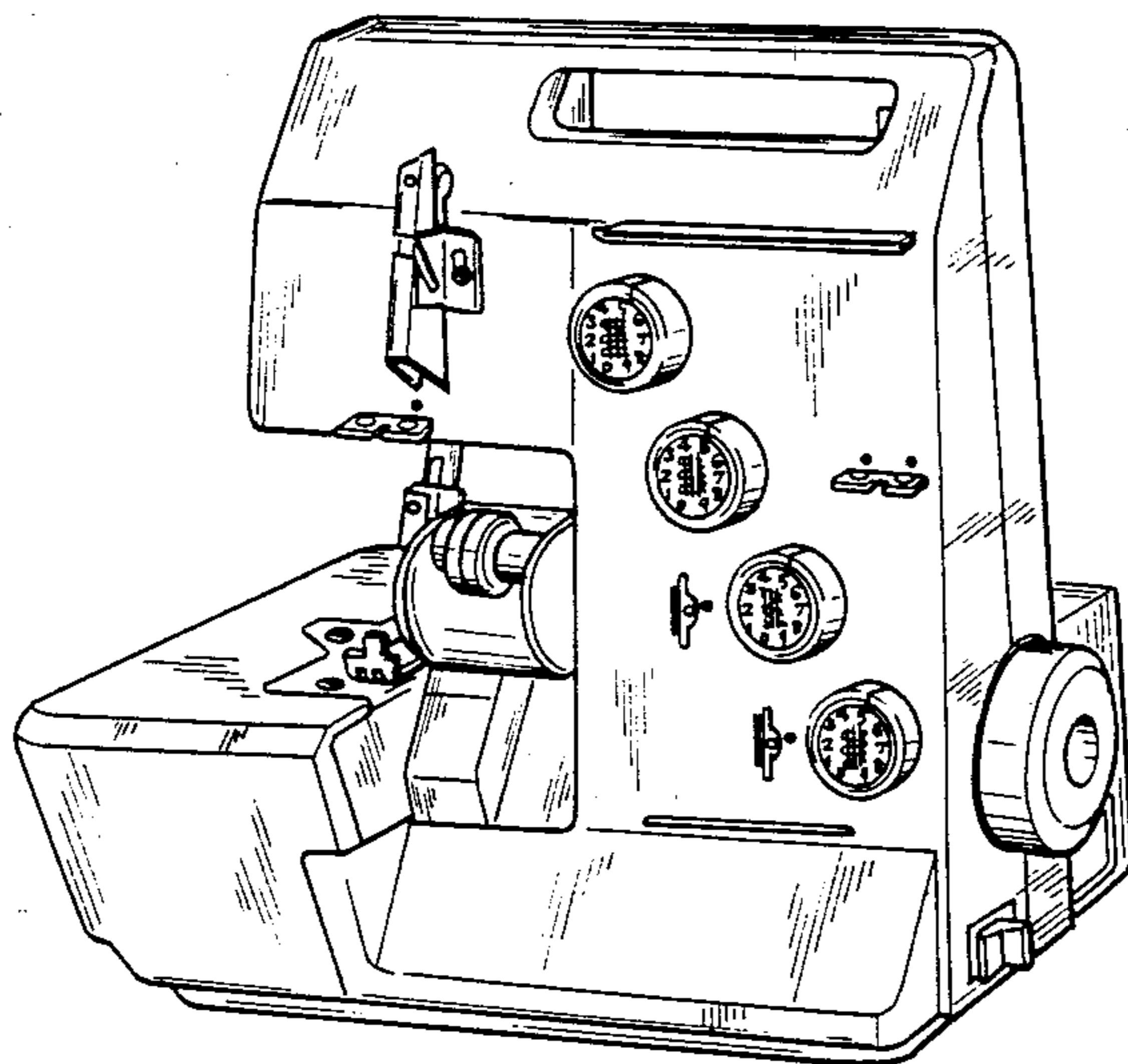


FIG. 1

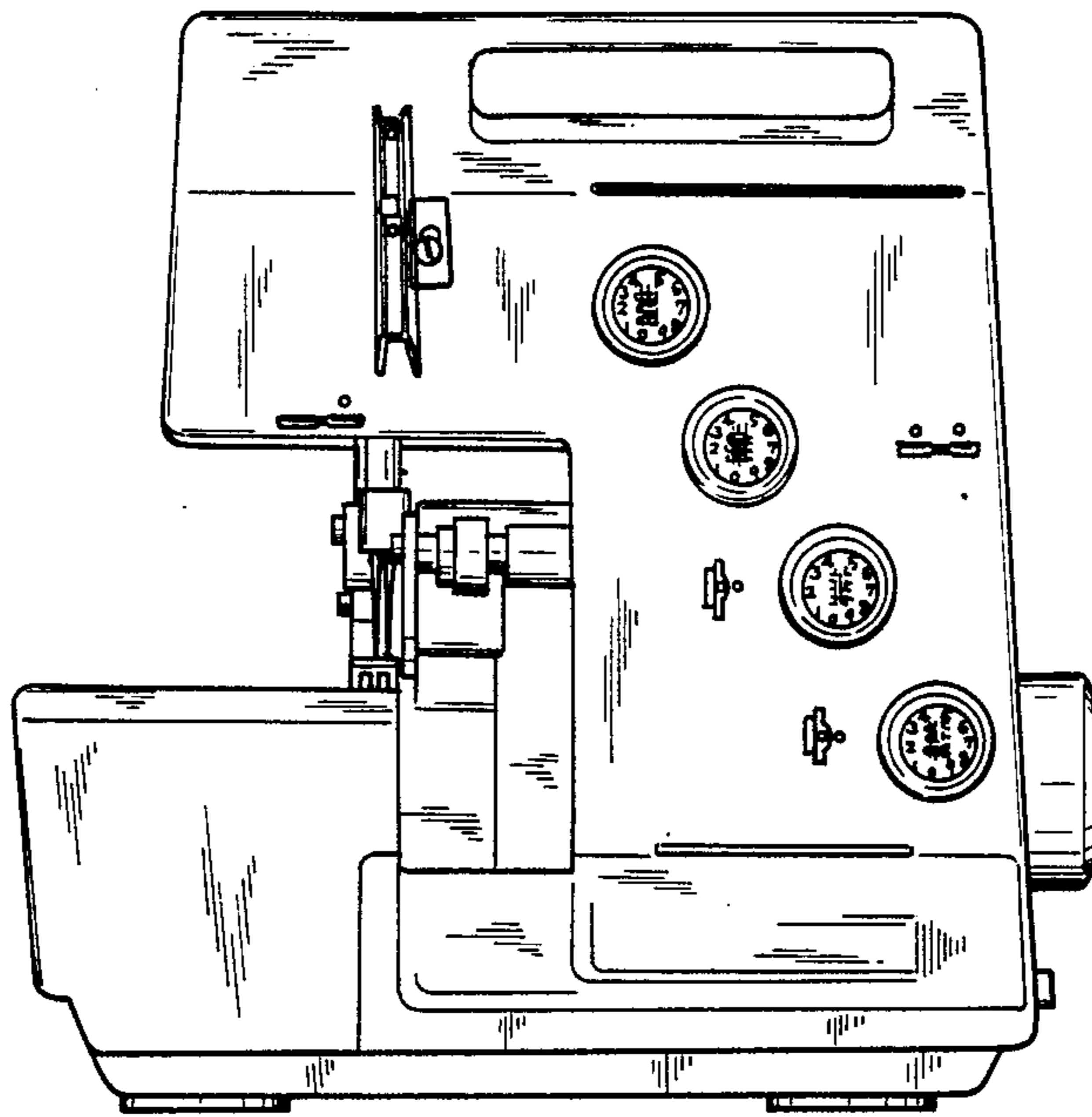


FIG. 2

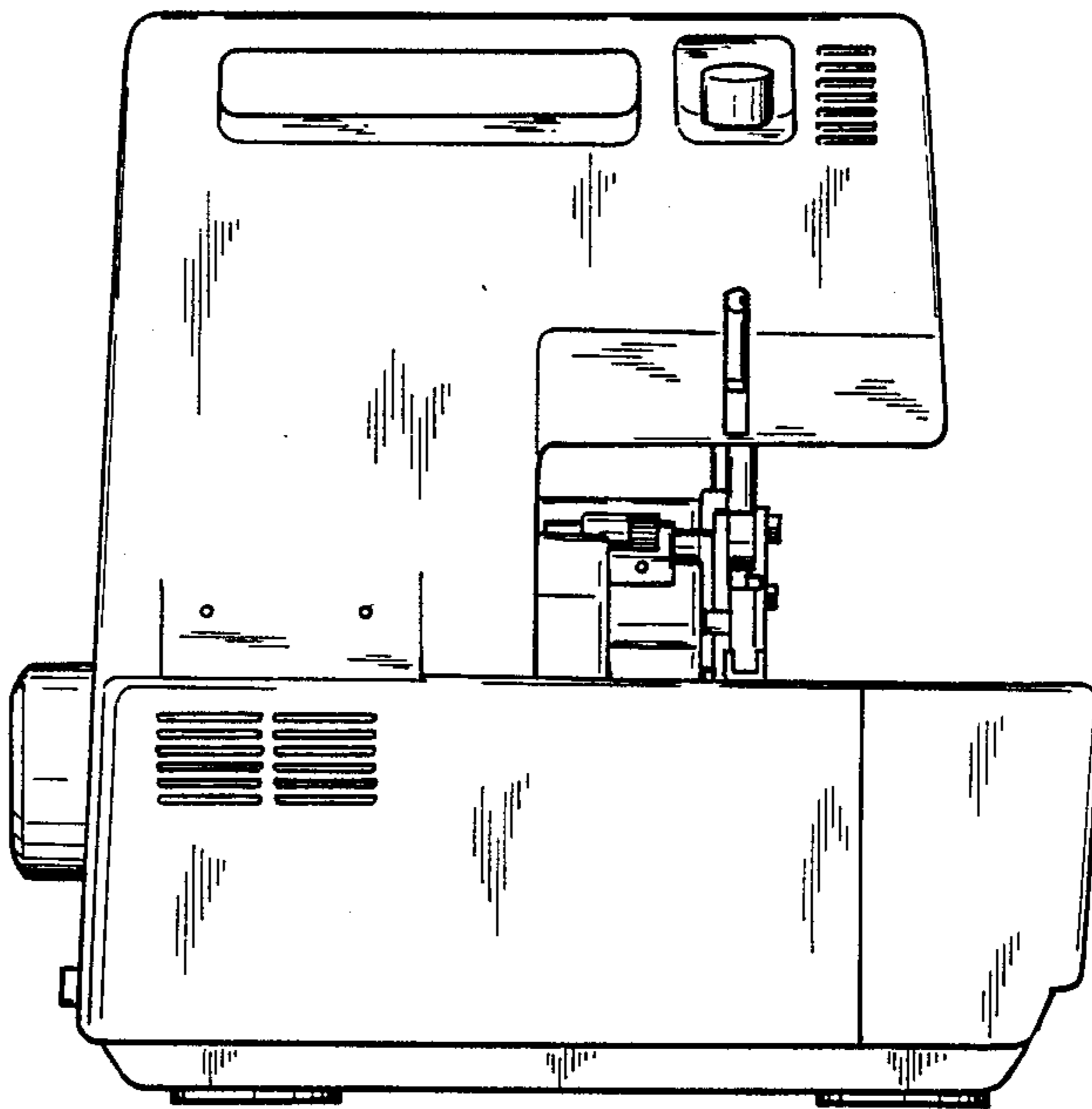


FIG. 3

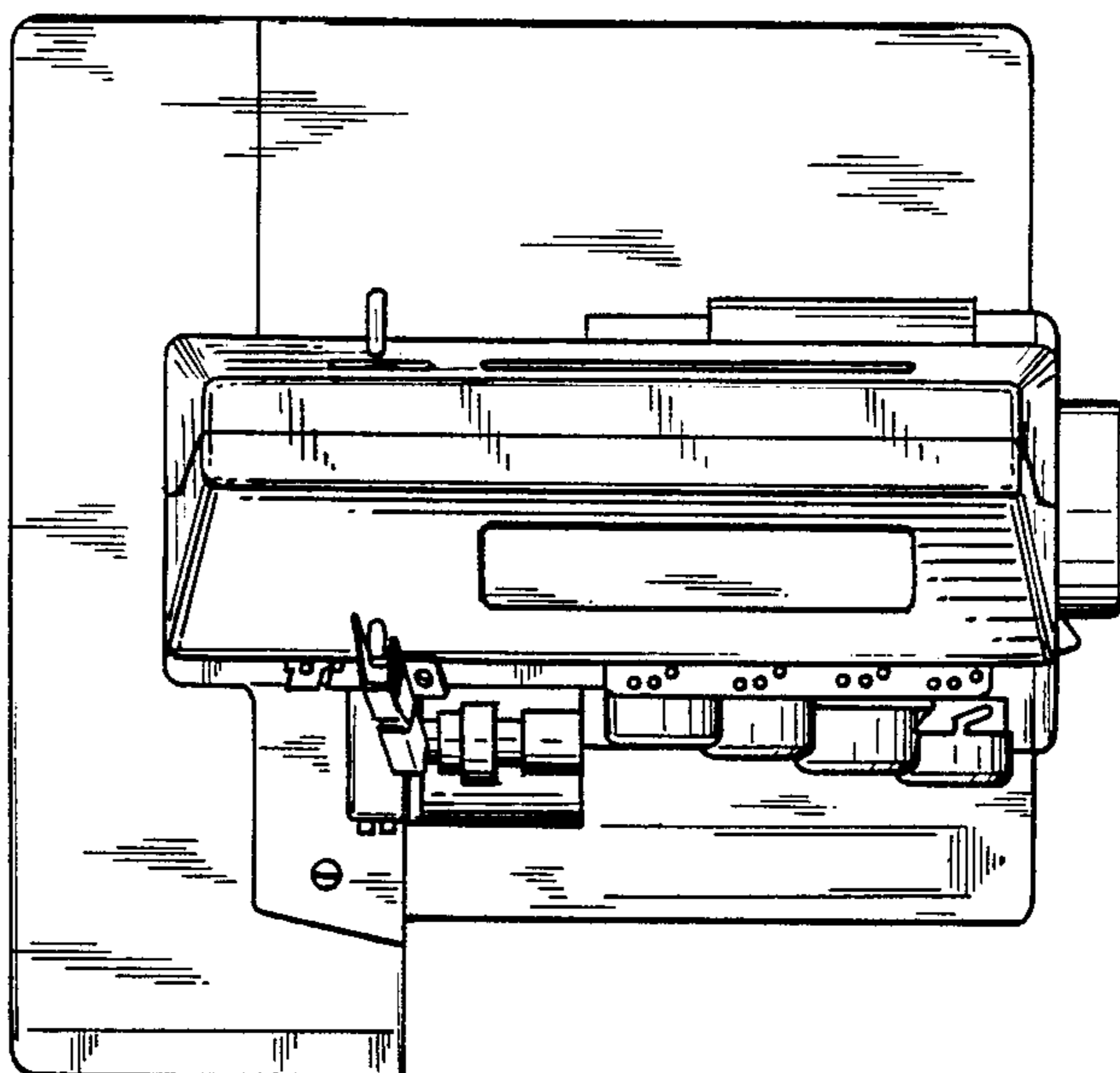


FIG. 4

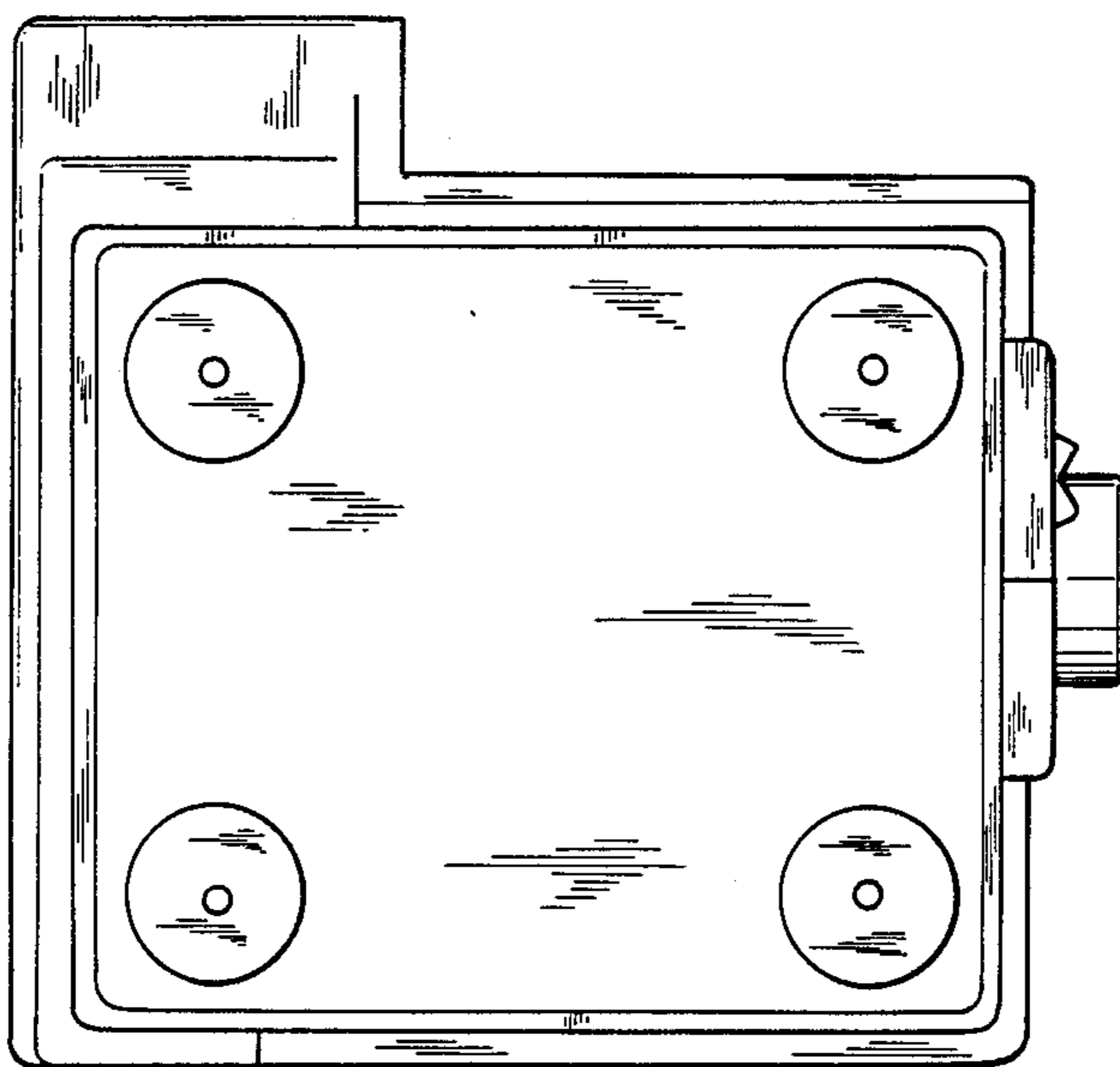


FIG.5

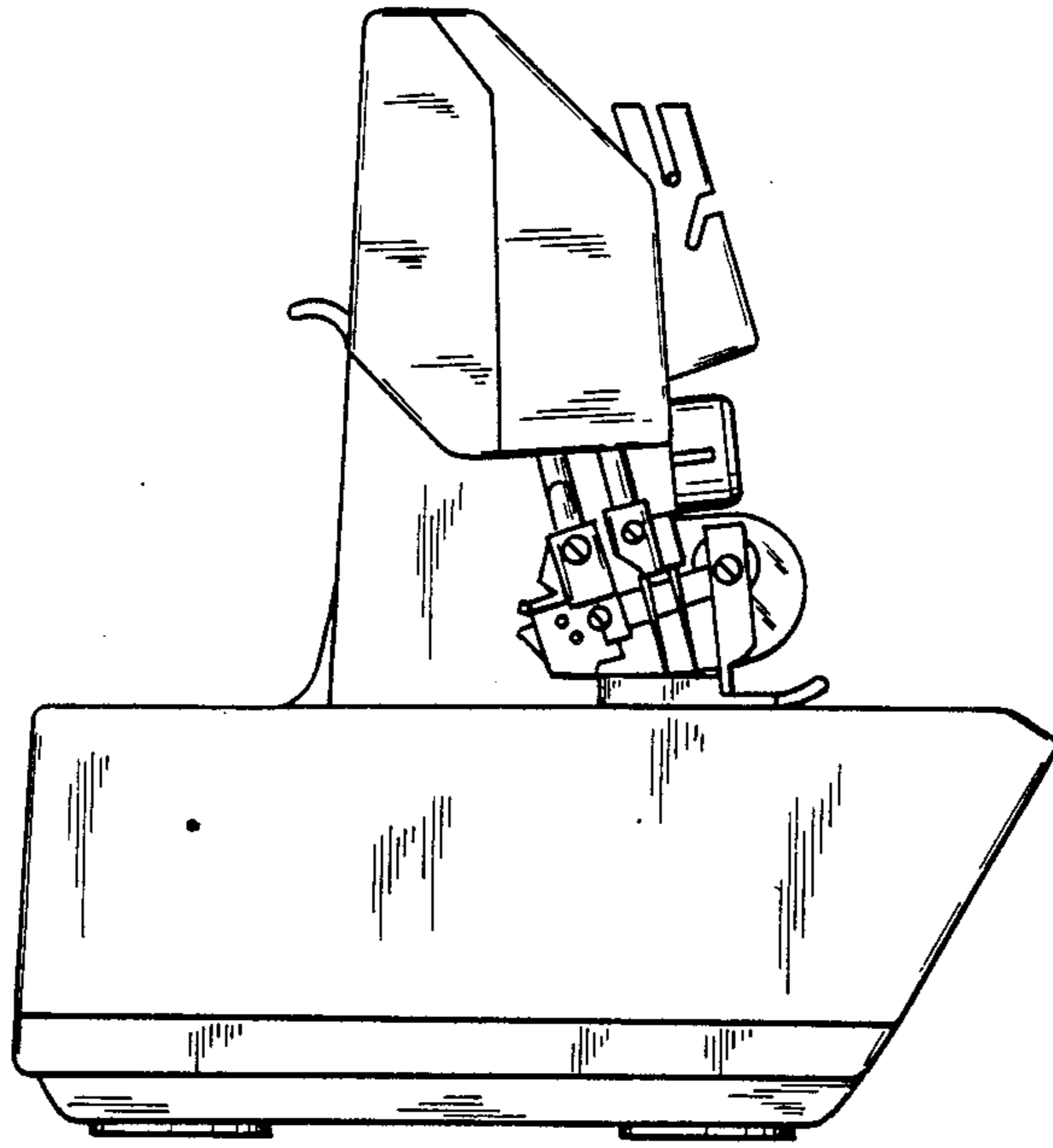


FIG.6

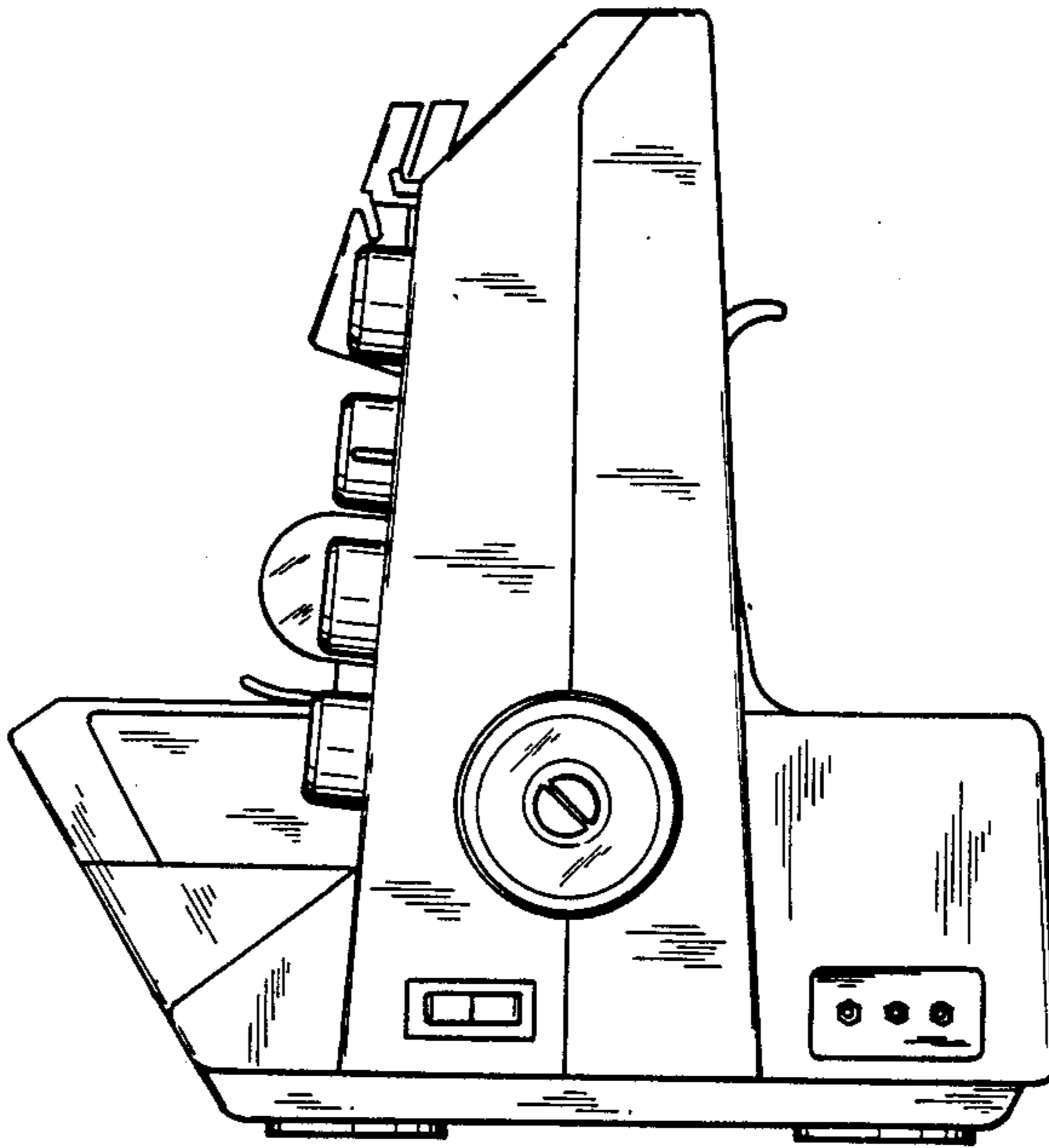


FIG. 7

