

[54] **LAWN MOWER**

[75] **Inventor: Kunisaburo Uemura, Tokyo, Japan**

[73] **Assignee: Yamaha Hatsudoki K. K., Shizuoka, Japan**

[**] **Term: 14 Years**

[21] **Appl. No.: 201,113**

[22] **Filed: Jun. 1, 1988**

[30] **Foreign Application Priority Data**

Dec. 2, 1987 [JP] Japan 62-49548
[52] **U.S. Cl.** **D15/14**
[58] **Field of Search** D15/14, 15, 16, 23;
56/11.8, 13.4, 16.7, 17.5, 202, 255, 320.2

[56] **References Cited**

U.S. PATENT DOCUMENTS

D. 276,047 10/1984 Sasaki D15/14
4,711,077 12/1987 Kutsukake et al. 56/255

Primary Examiner—B. J. Bullock
Assistant Examiner—Sandra Morris
Attorney, Agent, or Firm—Ostrolenk, Faber, Gerb & Soffen

[57] **CLAIM**

The ornamental design for lawn mower, as shown.

DESCRIPTION

FIG. 1 is a perspective view of a lawn mower, showing my new design;
FIG. 2 is a right side elevational view thereof;
FIG. 3 is a left side elevational view thereof;
FIG. 4 is a top plan view thereof;
FIG. 5 is a bottom plan view thereof;
FIG. 6 is a front elevational view thereof;
FIG. 7 is a rear elevational view thereof.

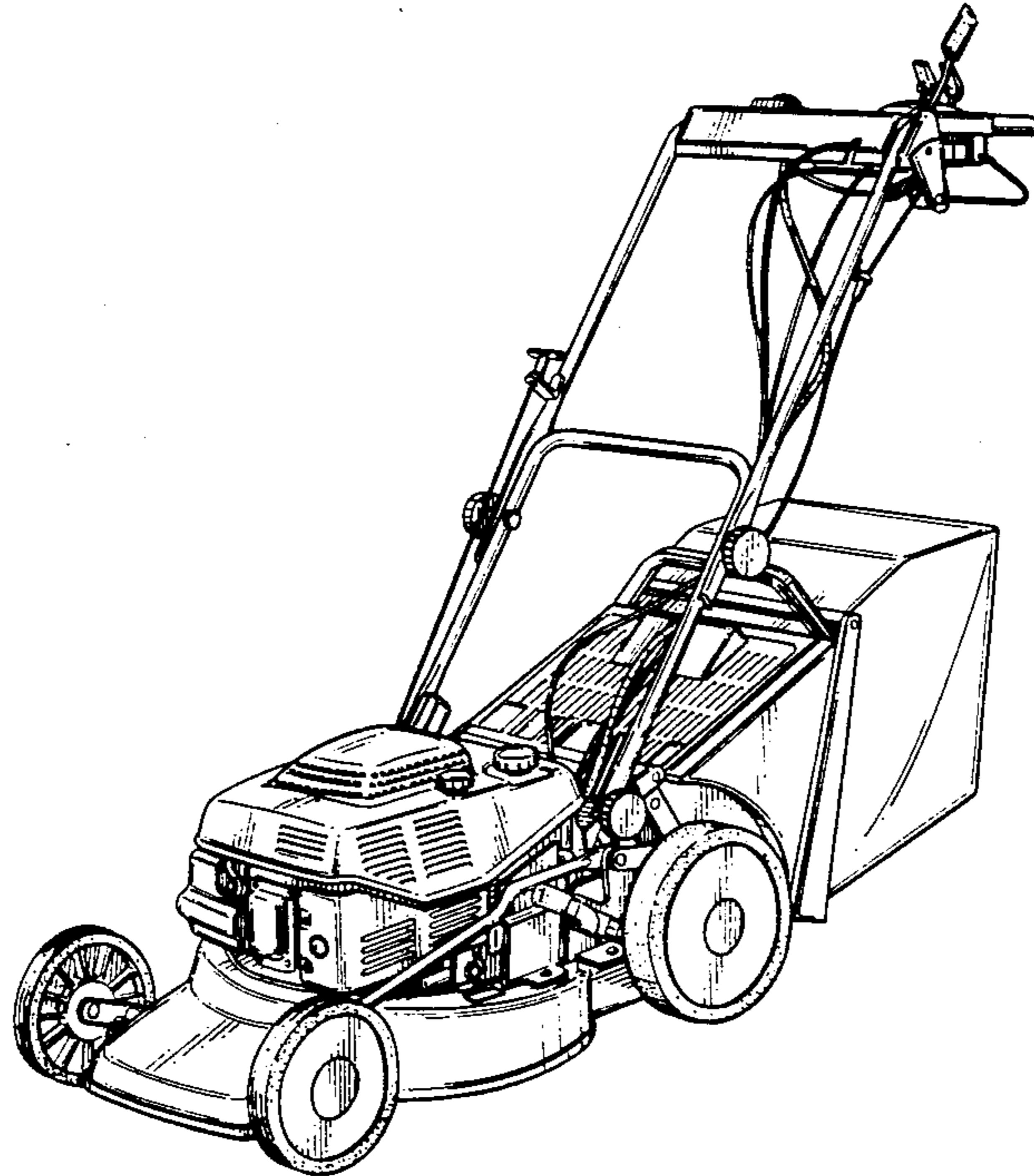


FIG. 1

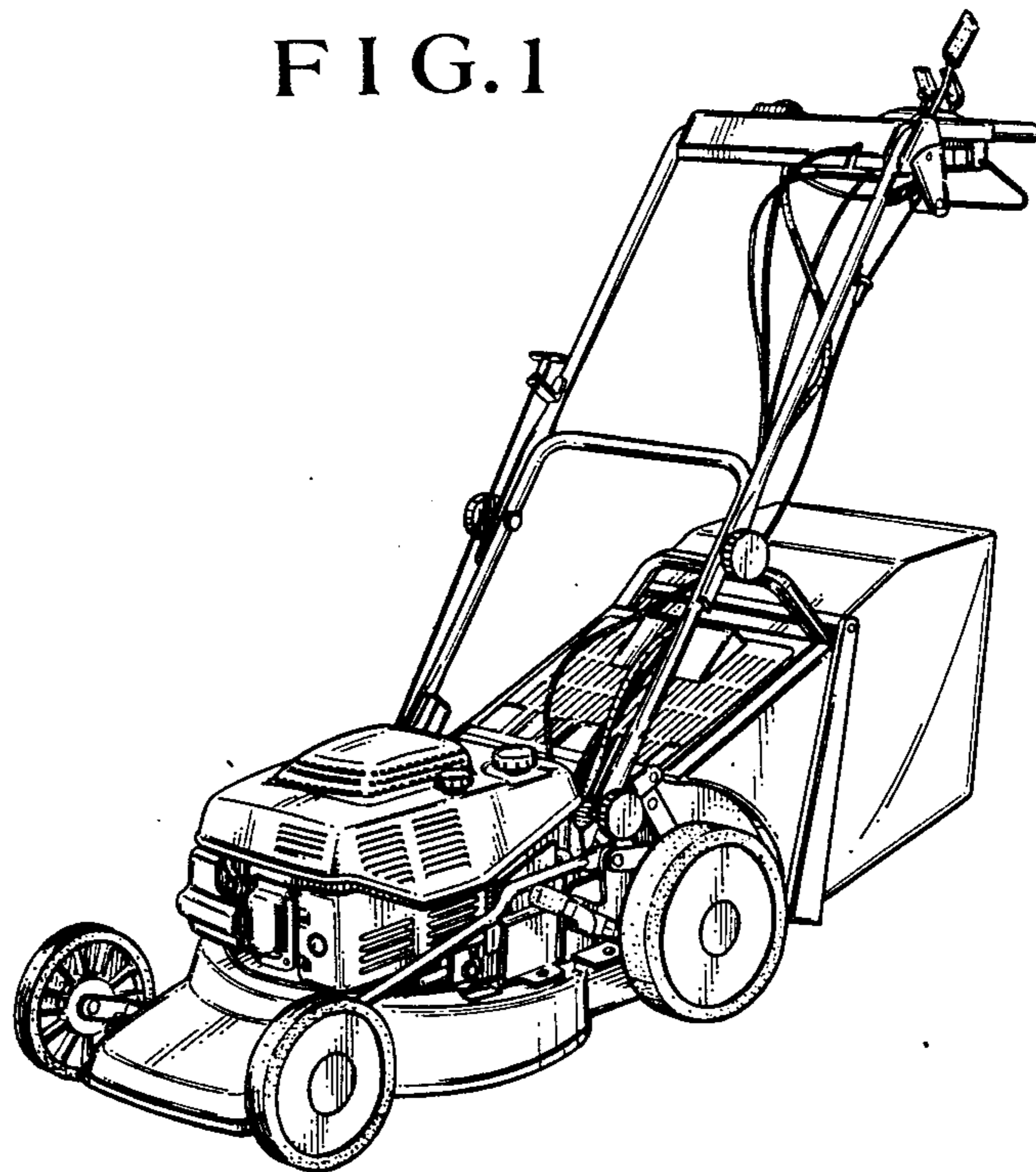
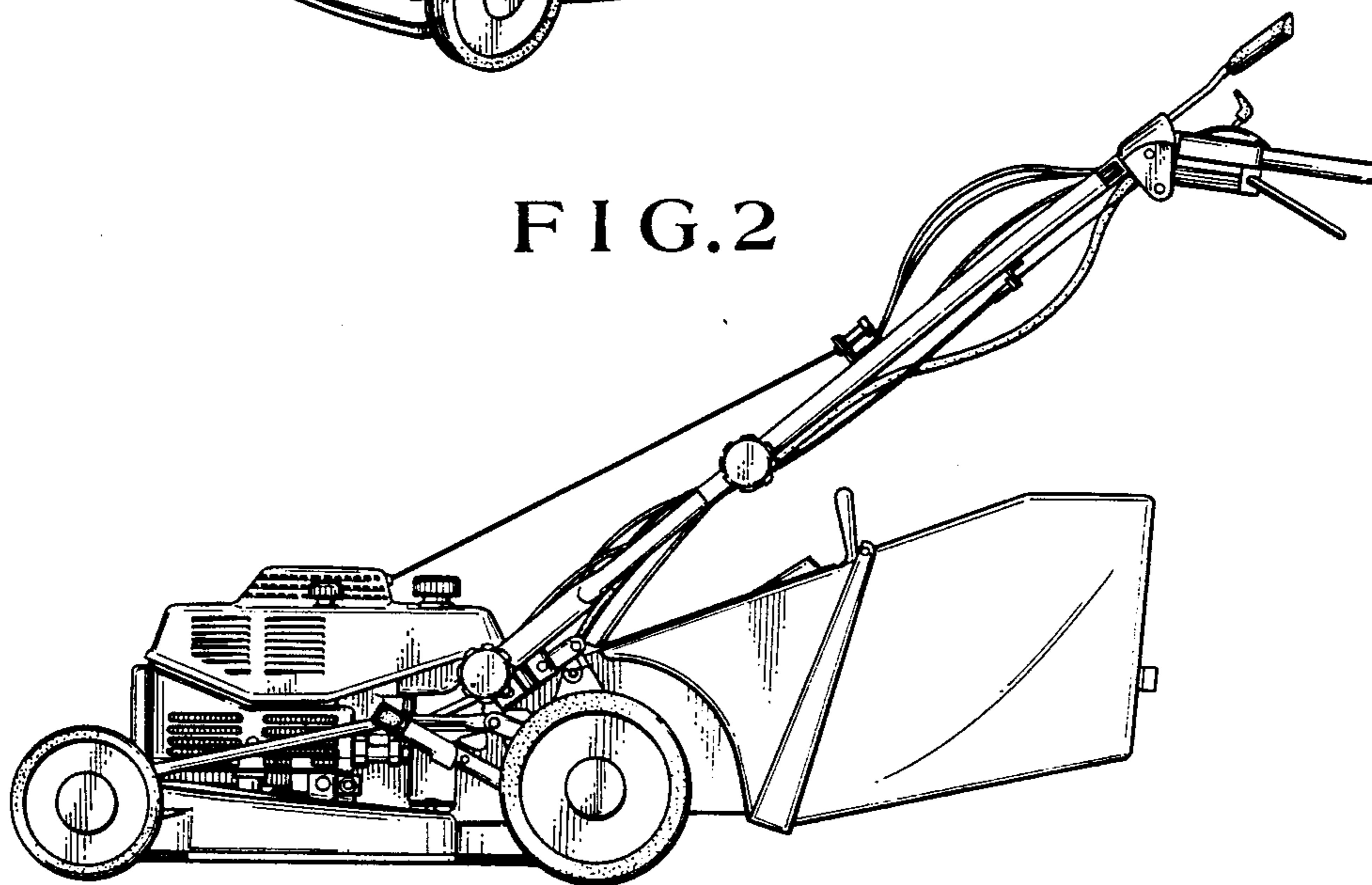


FIG. 2



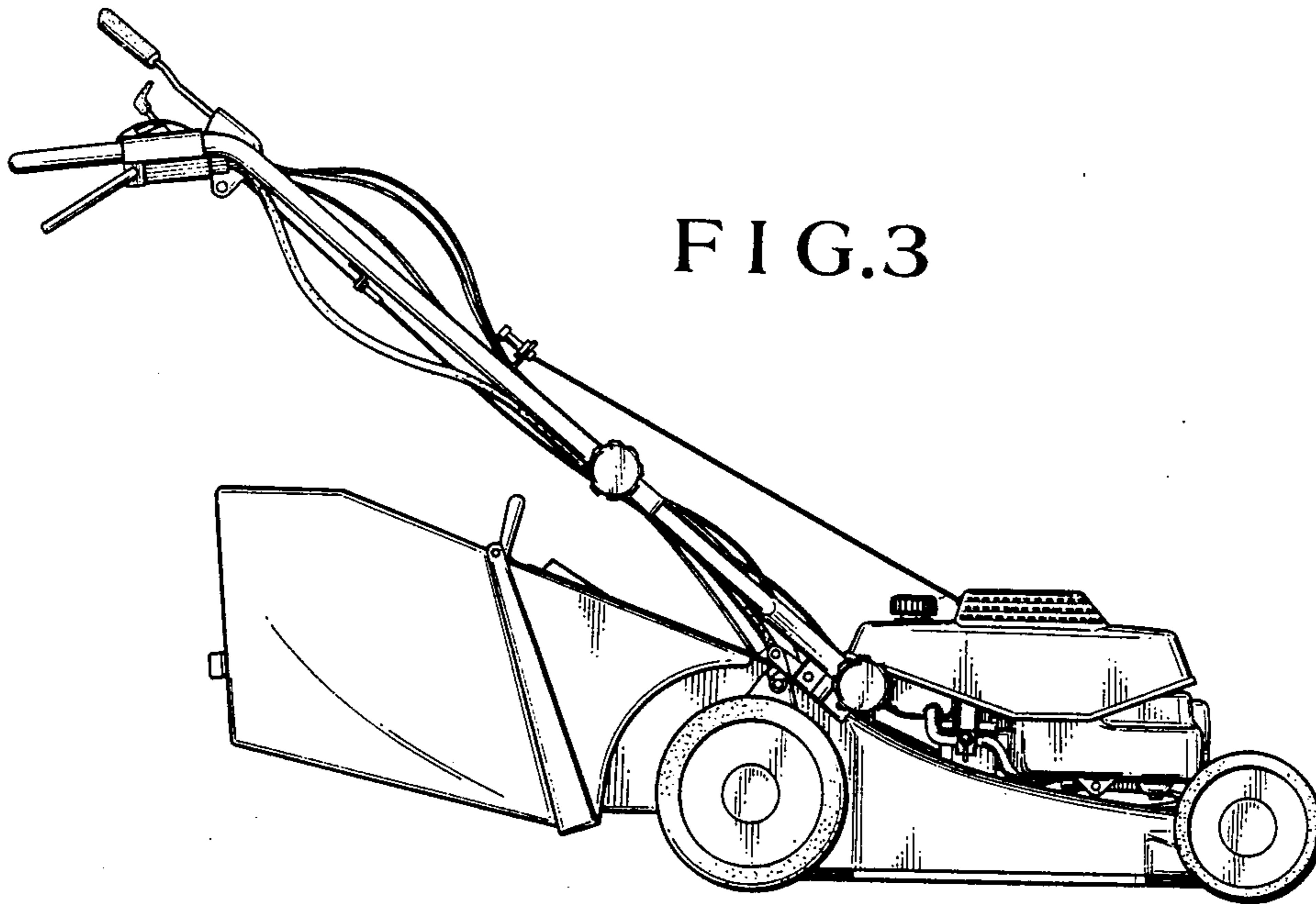


FIG. 3

FIG. 6

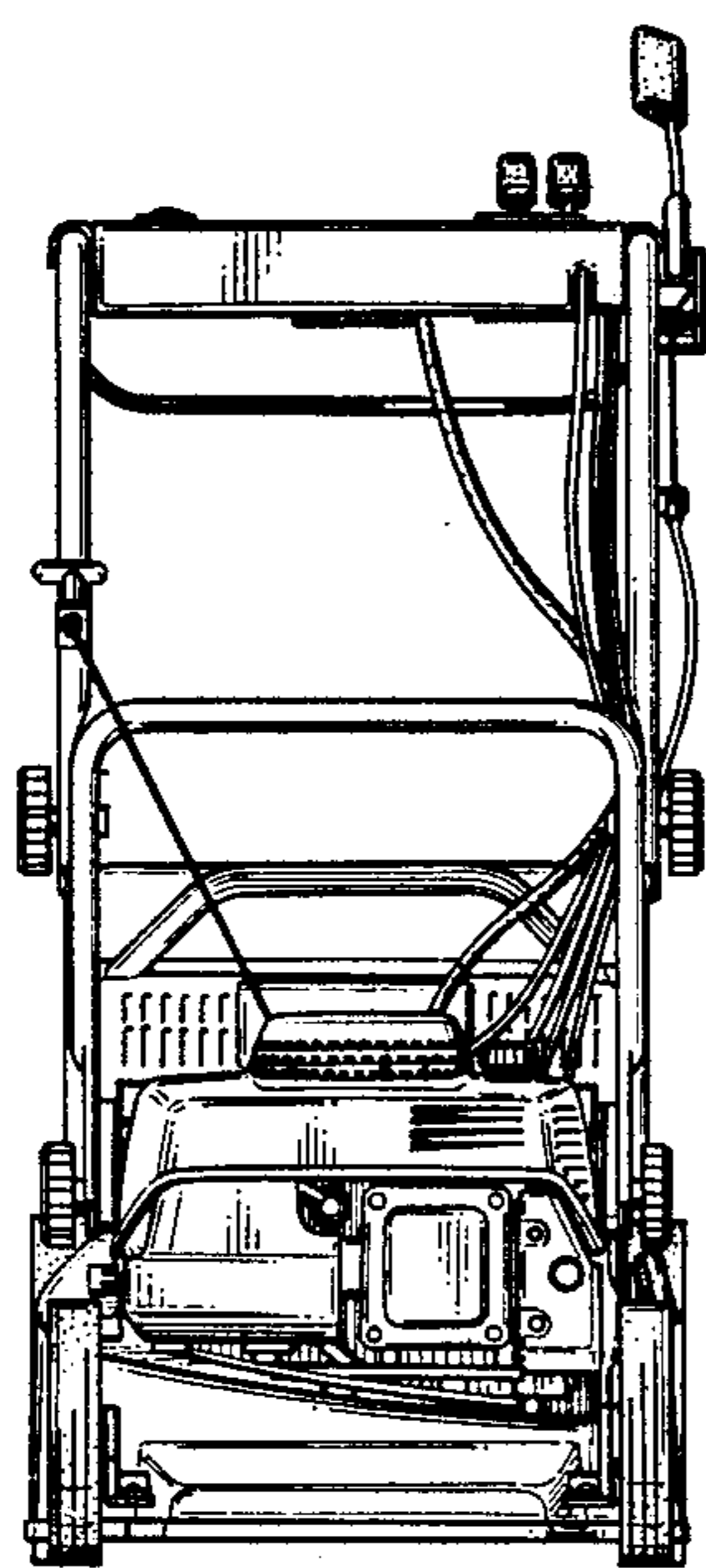


FIG. 7

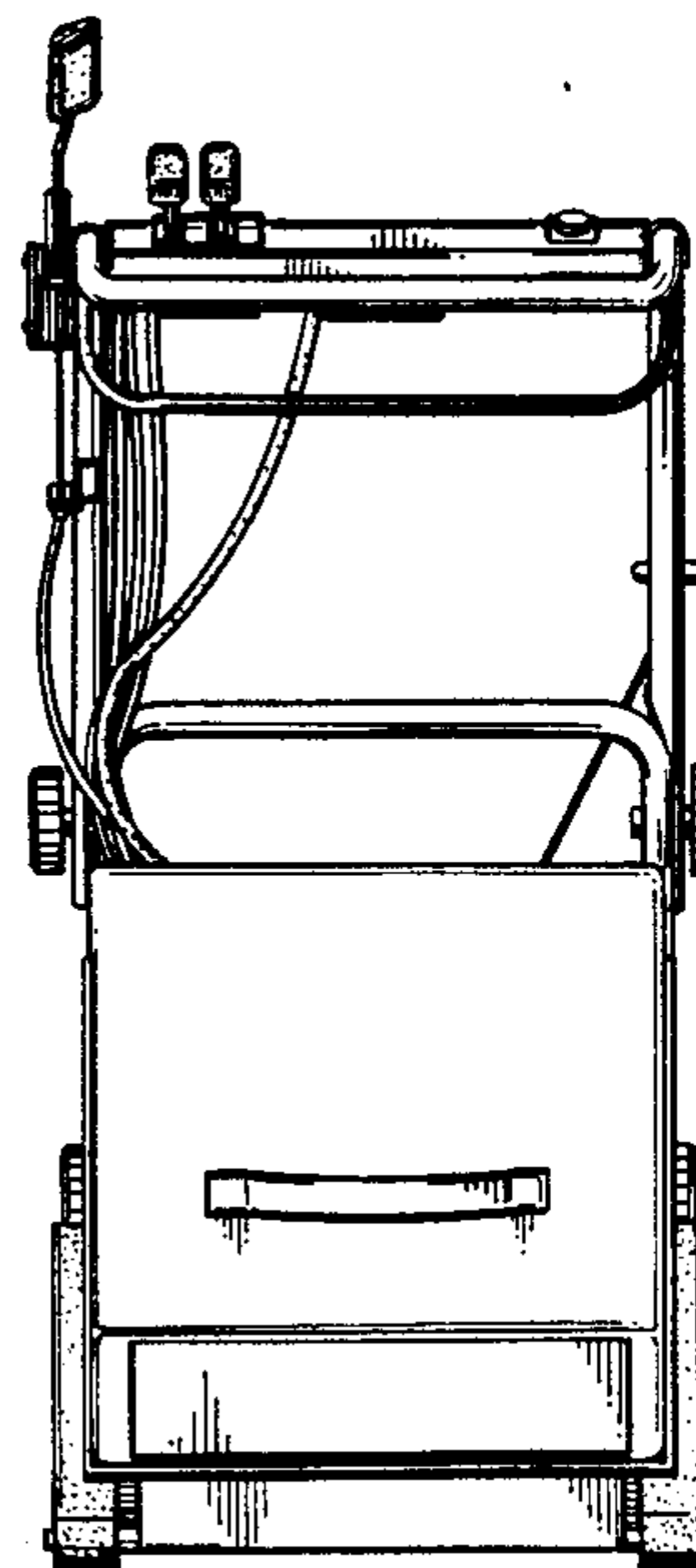


FIG. 4

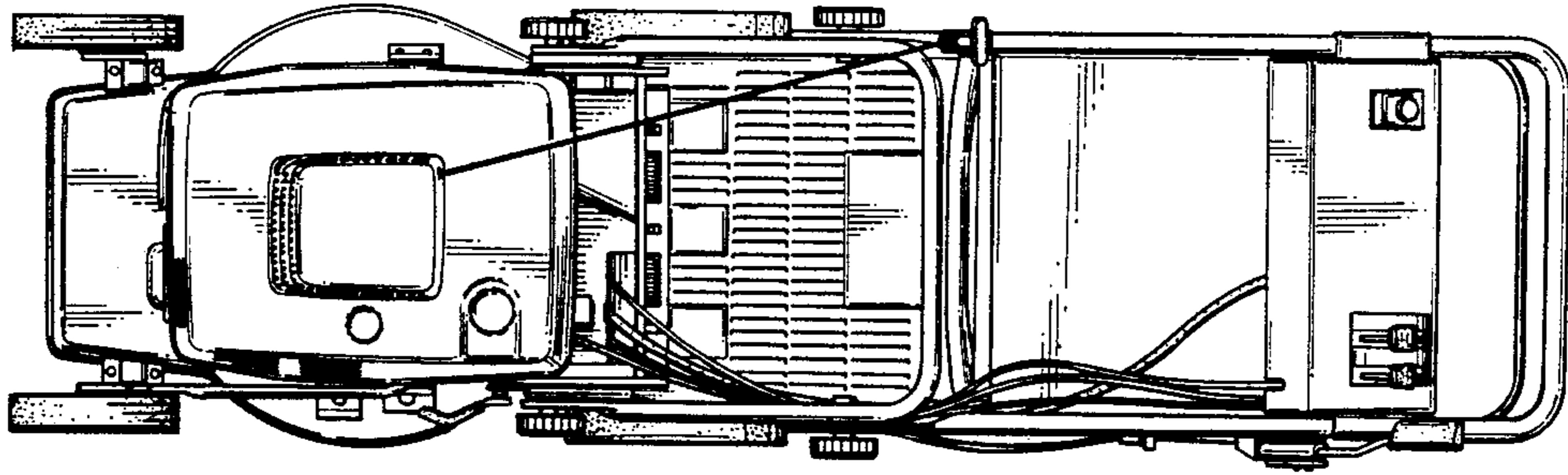


FIG. 5

