

# United States Patent [19]

Lazzeroni et al.

[11] Patent Number: Des. 310,083

[45] Date of Patent: \*\* Aug. 21, 1990

[54] **MICROPHONE MOUNT**

[76] Inventors: **John J. Lazzeroni; Melinda K. Lazzeroni**, both of 7322 E. Stella Rd., Tucson, Ariz. 85730

[\*\*] Term: **14 Years**

[21] Appl. No.: **65,705**

[22] Filed: **Jun. 24, 1987**

[52] U.S. Cl. .... **D14/229; D14/225**

[58] Field of Search ..... **D14/124, 137, 225-229, D14/299; 381/68.7, 91, 122, 155, 158, 159, 168-170, 205, 187; 379/430; 455/89, 90, 95, 100, 351; D8/294, 296; 2/422, 6**

[56] **References Cited**

**U.S. PATENT DOCUMENTS**

D. 176,976 2/1956 Crook ..... D8/396 X  
D. 222,269 10/1971 Gibson ..... D14/229

D. 247,115 1/1978 Cox et al. .... D14/229  
D. 294,702 3/1988 Yoder ..... D8/396 X  
3,258,534 6/1966 Goldsworthy ..... 2/422 X  
3,586,877 6/1971 Lustig .  
3,961,312 10/1975 Campbell .

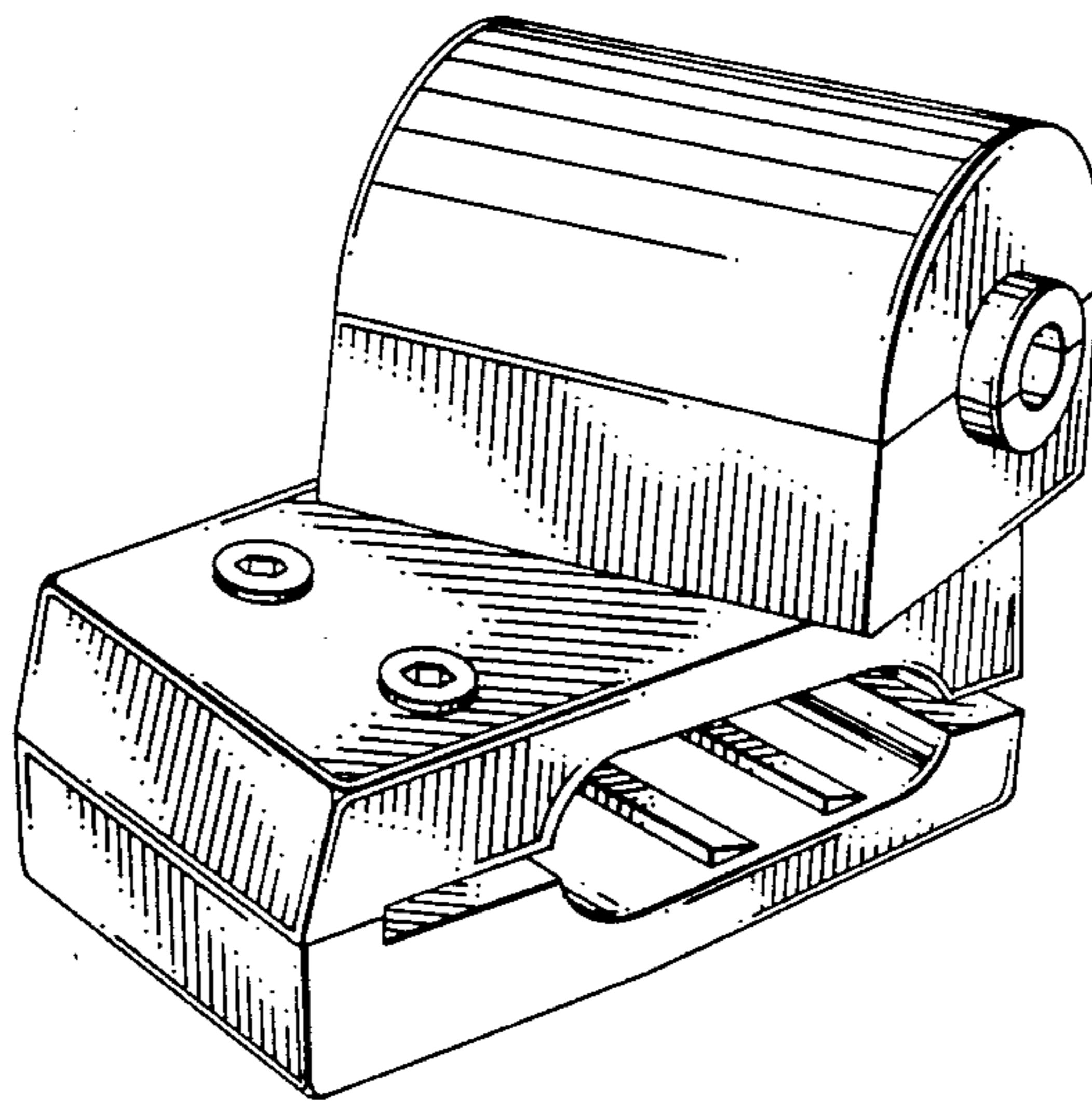
*Primary Examiner*—Theodore M. Shooman  
*Attorney, Agent, or Firm*—J. Michael McClanahan

[57] **CLAIM**

The ornamental design for a microphone mount, as shown.

**DESCRIPTION**

FIG. 1 is a top, rear and right side perspective view of a microphone mount showing our new design; FIG. 2 is a front elevational view thereof; FIG. 3 is a top plan view thereof; FIG. 4 is a bottom plan view thereof; FIG. 5 is a right side elevational view thereof; and FIG. 6 is a left side elevational view thereof.



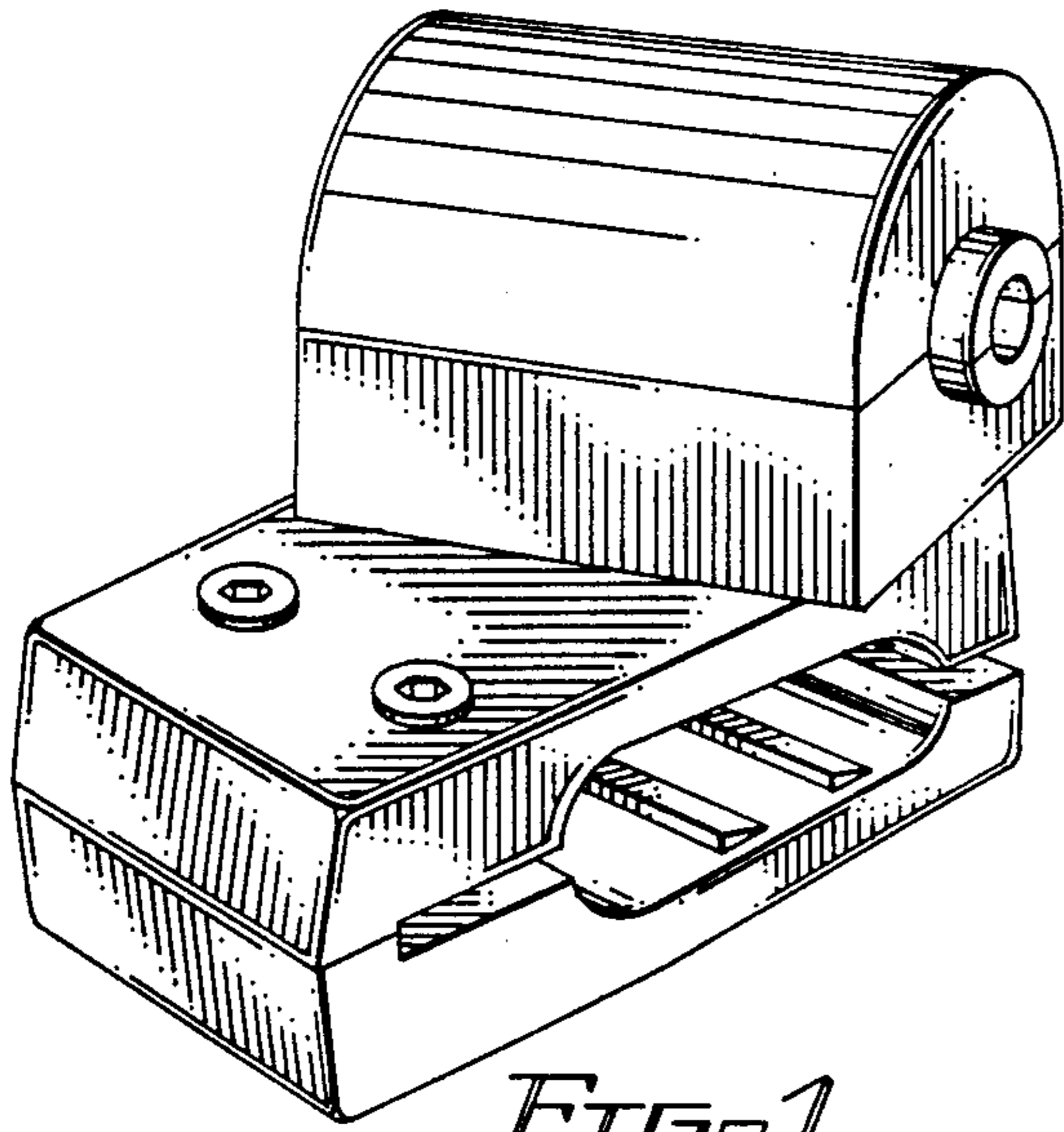


FIG. 1

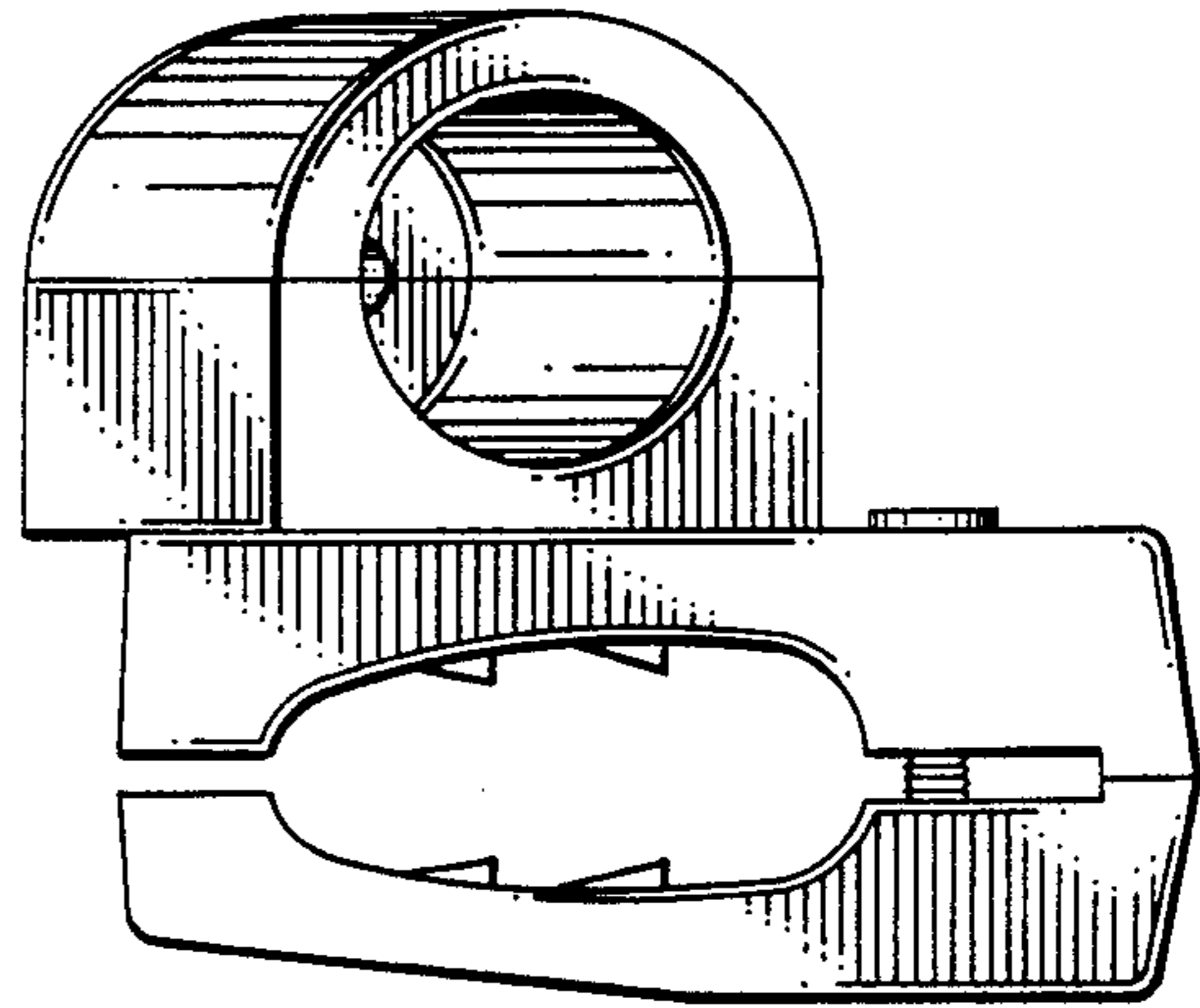


FIG. 2

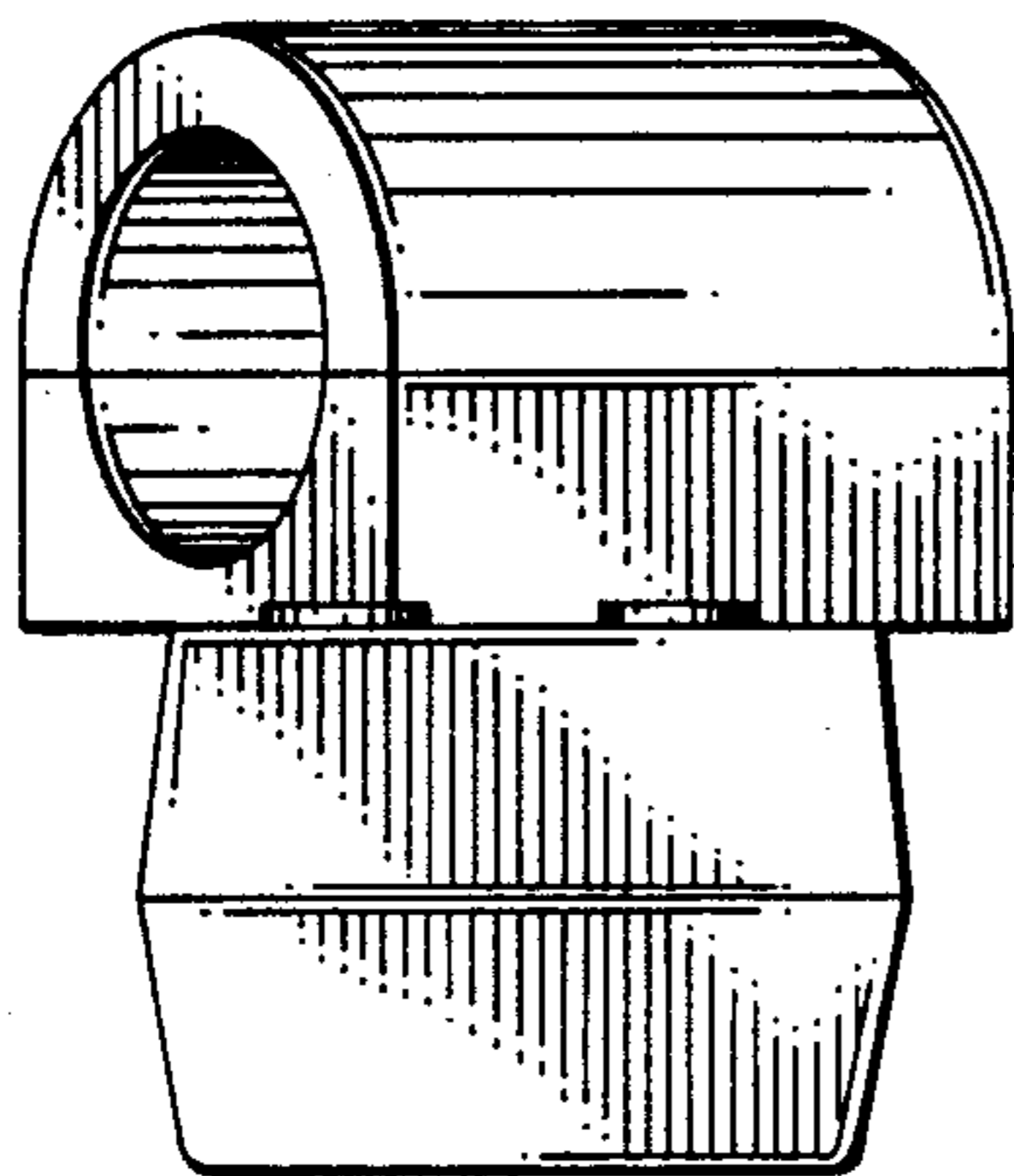


FIG. 5

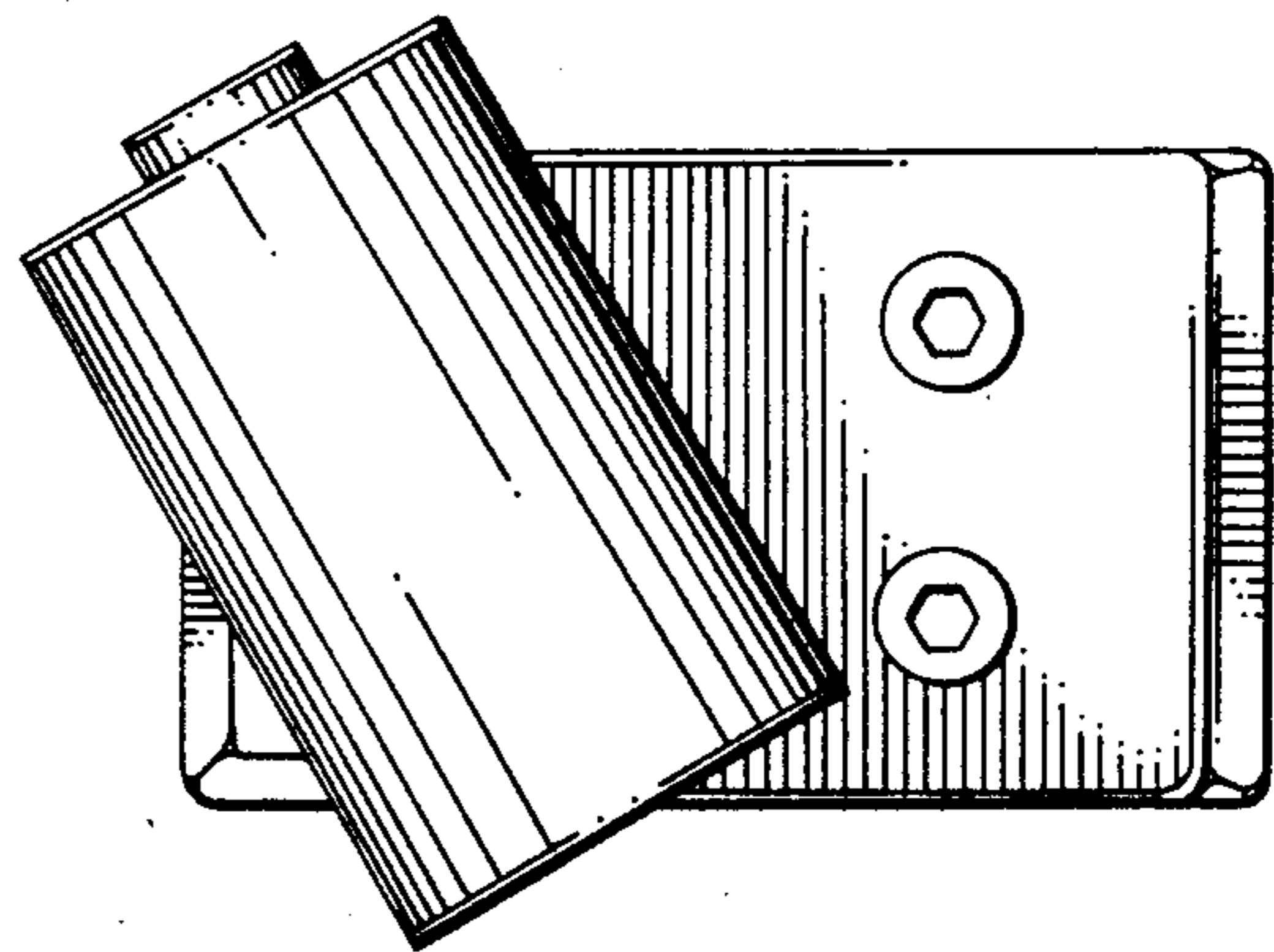


FIG. 3

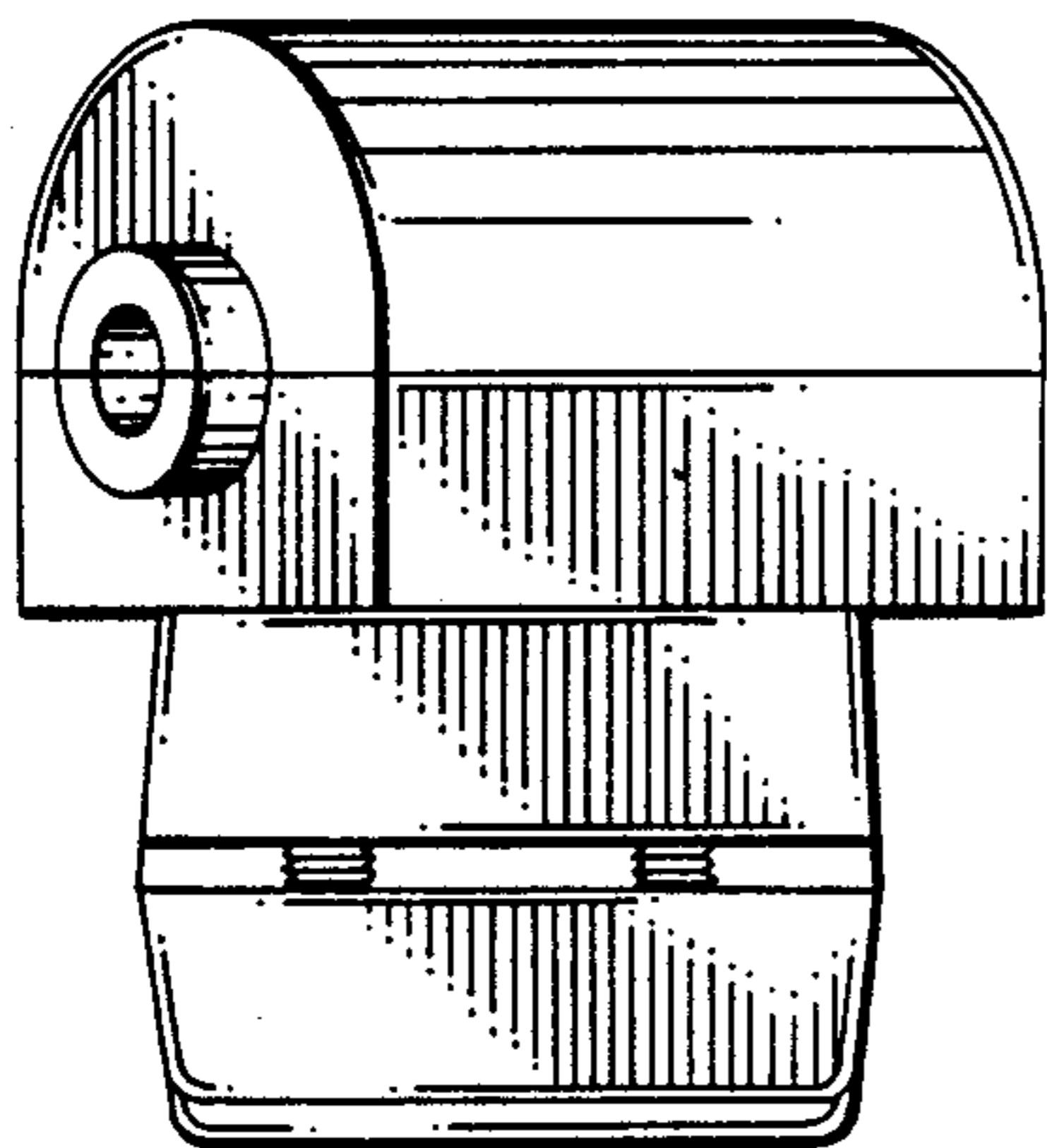


FIG. 6

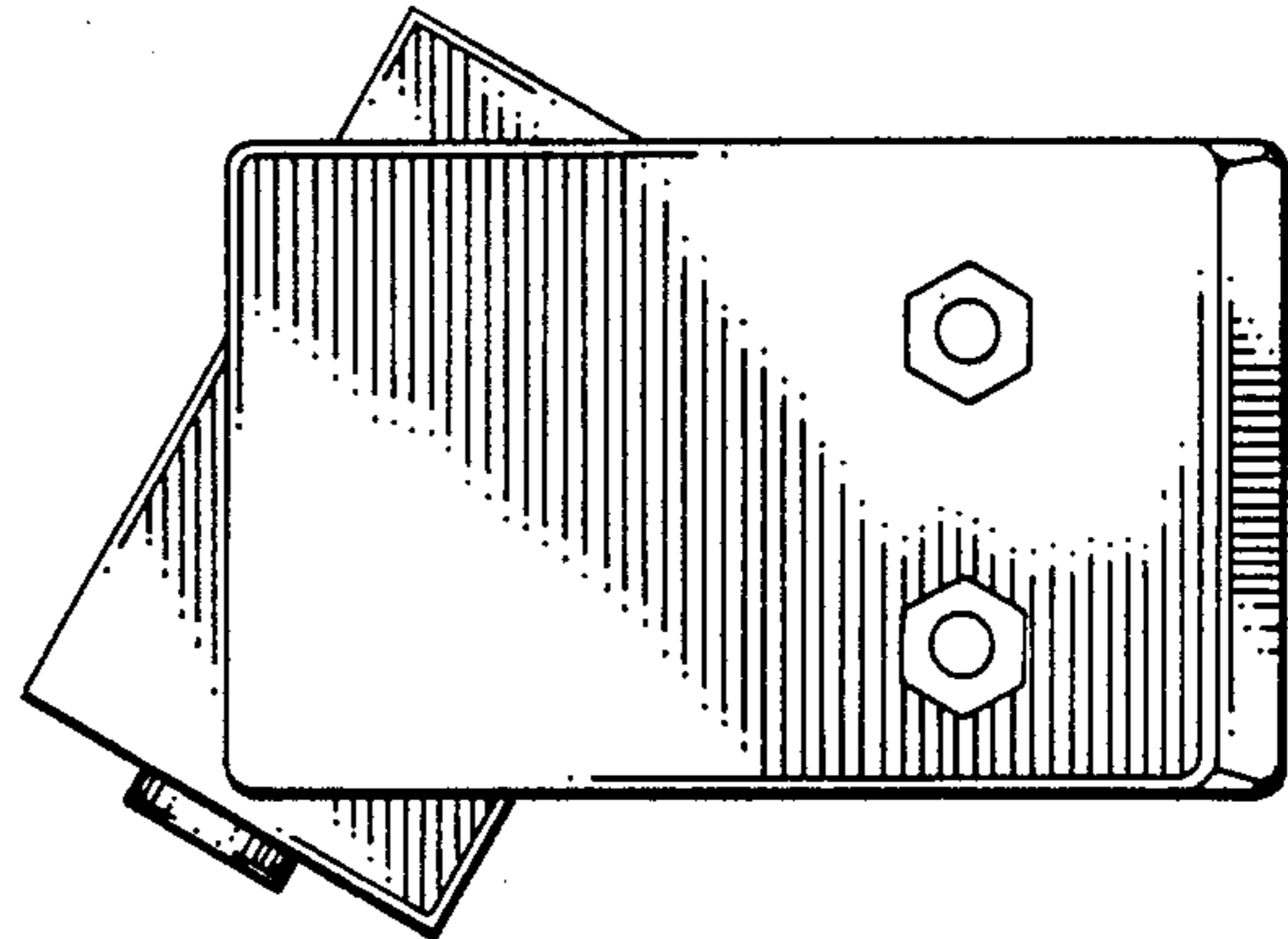


FIG. 4