

[54] COMBINED RADIO AND CASSETTE TAPE RECORDER

[75] Inventor: Kazuharu Yamamoto, Yokohama, Japan  
[73] Assignee: Kabushiki Kaisha Toshiba, Kawasaki, Japan  
[\*\*] Term: 14 Years  
[21] Appl. No.: 210,299  
[22] Filed: Jun. 22, 1988

[30] Foreign Application Priority Data  
Dec. 23, 1987 [JP] Japan ..... 62-52132  
[52] U.S. Cl. .... D14/163; D14/168  
[58] Field of Search ..... D14/141, 160-168, D14/188-189, 191-192, 196, 199, 202, 299; 455/344, 350, 351

[56] References Cited  
U.S. PATENT DOCUMENTS  
D. 294,567 3/1988 Fujii ..... D14/163  
D. 296,690 7/1988 Koo ..... D14/168 X  
D. 297,833 9/1988 Kawabe et al. .... D14/163  
D. 297,834 9/1988 Kawabe et al. .... D14/163

OTHER PUBLICATIONS

HFD; 06/01/87; p. 118; top right-Lloyd Model V501 Boombox CD Player.  
HFD; 01/05/87; p. 116 (insert); Sanyo Model MS450.  
HFD; 06/01/87; p. 116; top right-Gran Prix Dual-Cassette Portable Stereo.  
Hitachi catalog of "TRK-W203".  
National catalog of "RX-FW47".

Primary Examiner—Theodore M. Shooman  
Attorney, Agent, or Firm—Oblon, Spivak, McClelland, Maier & Neustadt

[57] CLAIM

The ornamental design for a combined radio and cassette tape recorder, as shown and described.

DESCRIPTION

FIG. 1 is a top, front and right side perspective view of a combined radio and cassette tape recorder showing my new design, showing the handle in a raised position and the cassette holders in an open position;  
FIG. 2 is a front elevational view thereof;  
FIG. 3 is a top plan view thereof;  
FIG. 4 is a left side elevational view thereof;  
FIG. 5 is a right side elevational view thereof;  
FIG. 6 is a rear elevational view thereof; and  
FIG. 7 is a bottom plan view thereof.

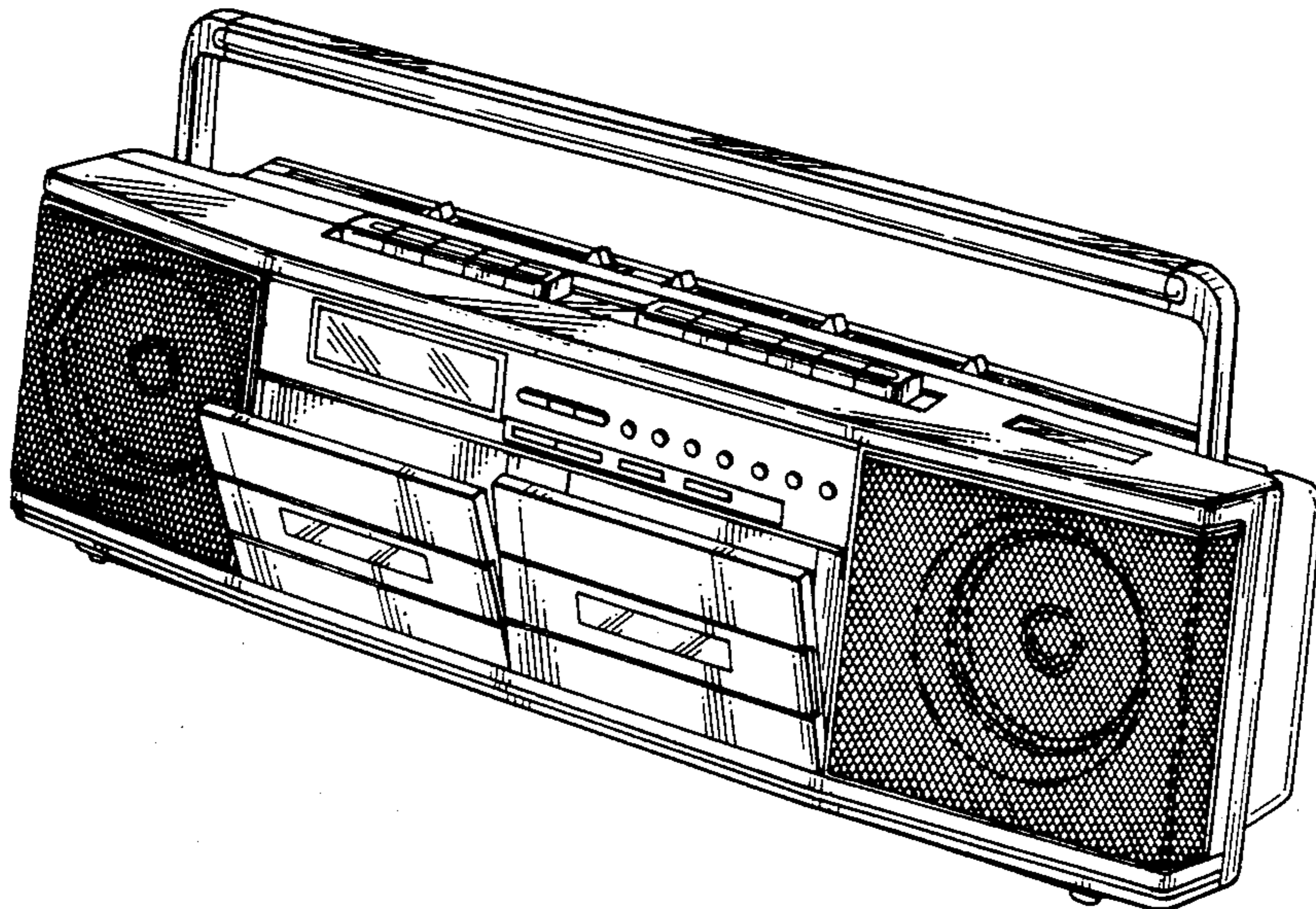


FIG. 1

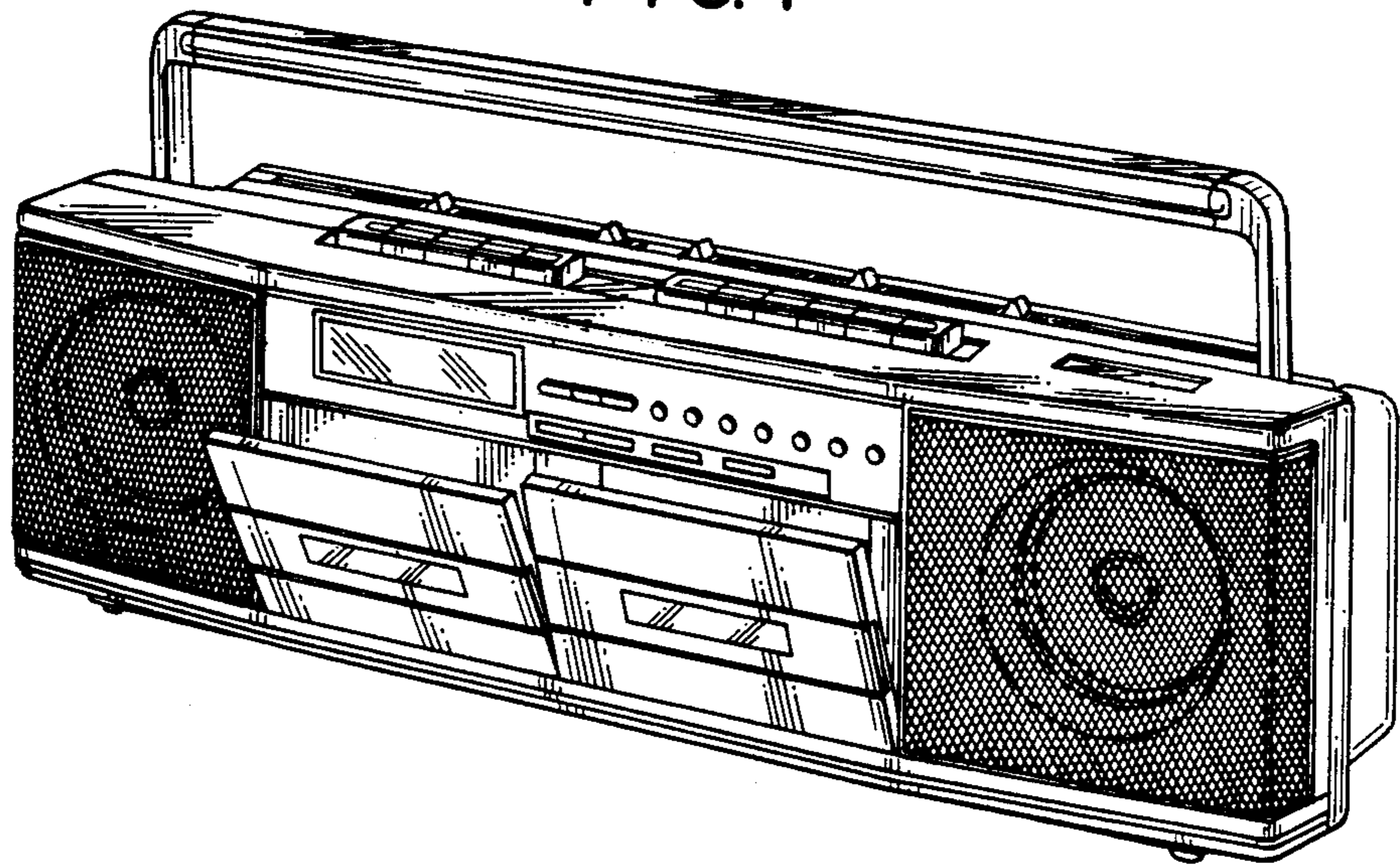


FIG. 2

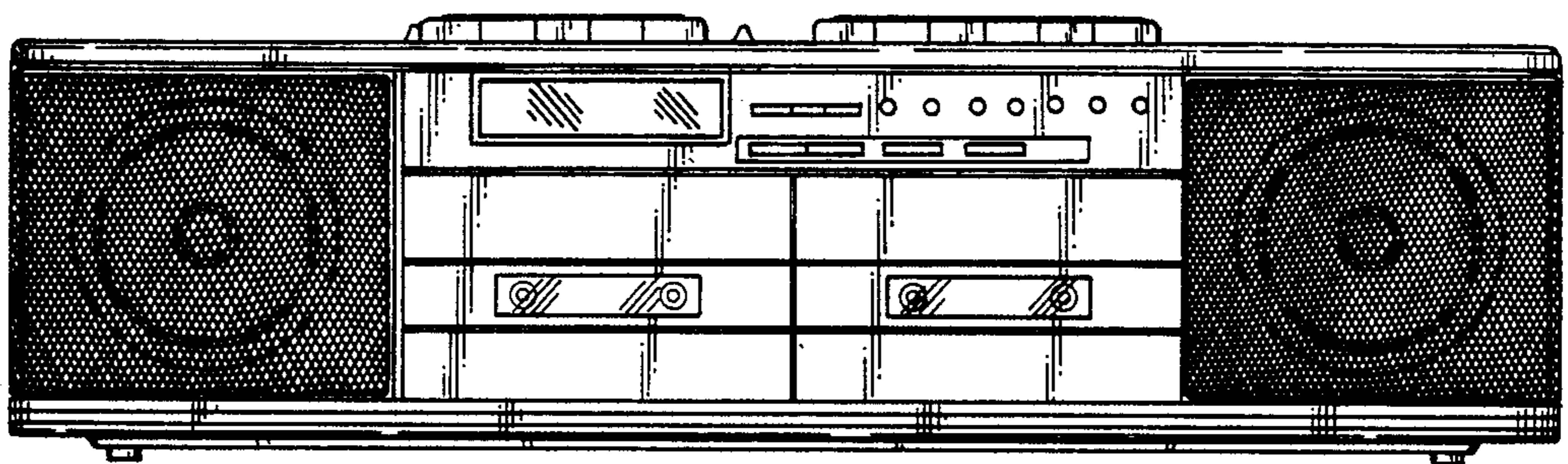


FIG. 3

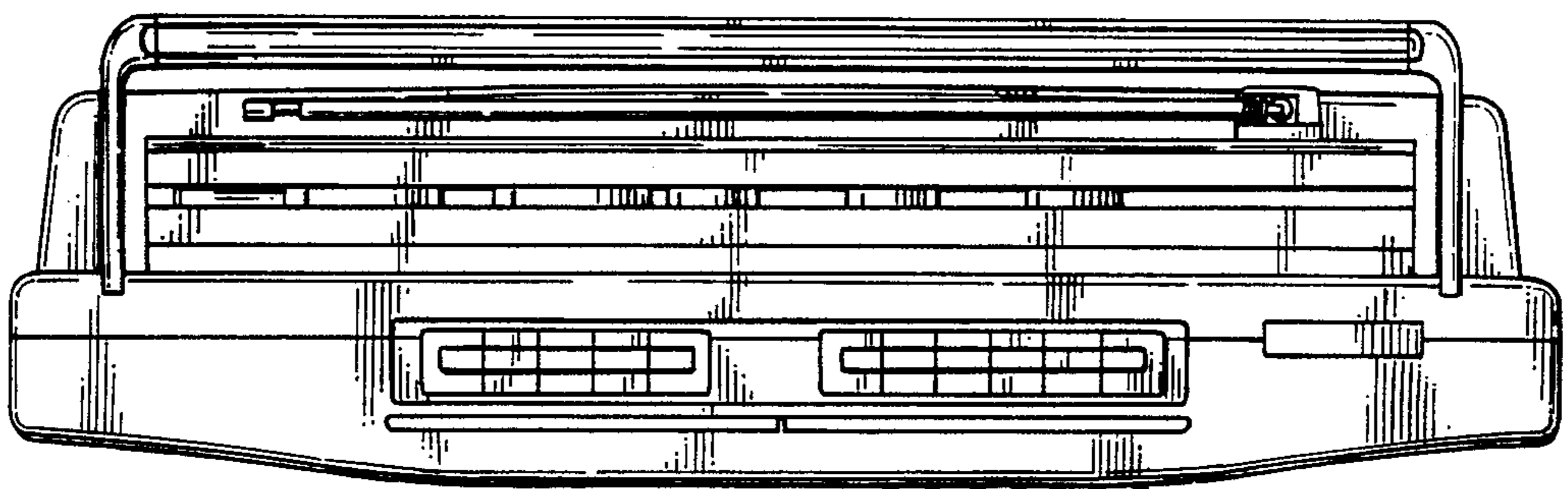




FIG. 4

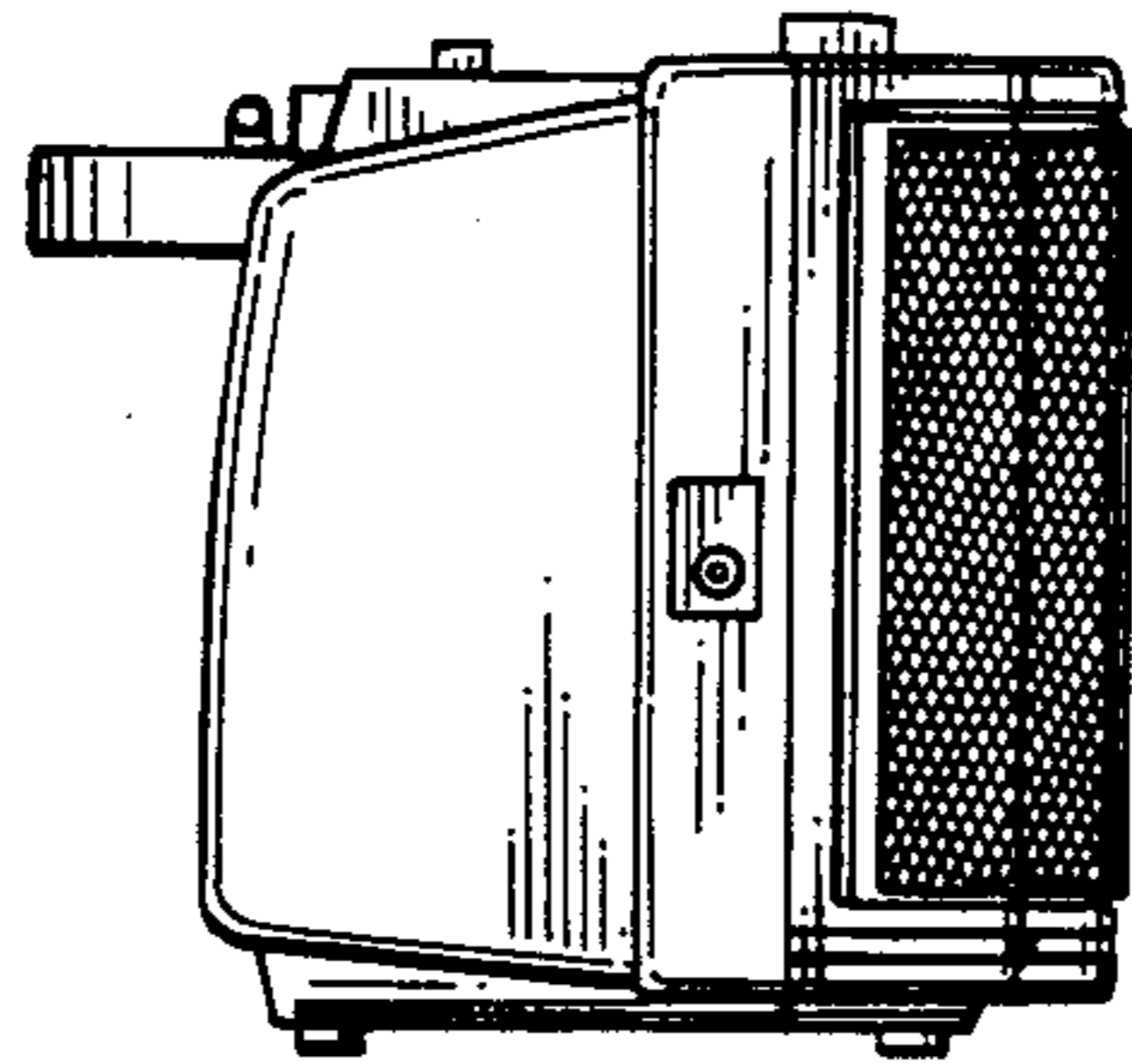


FIG. 5

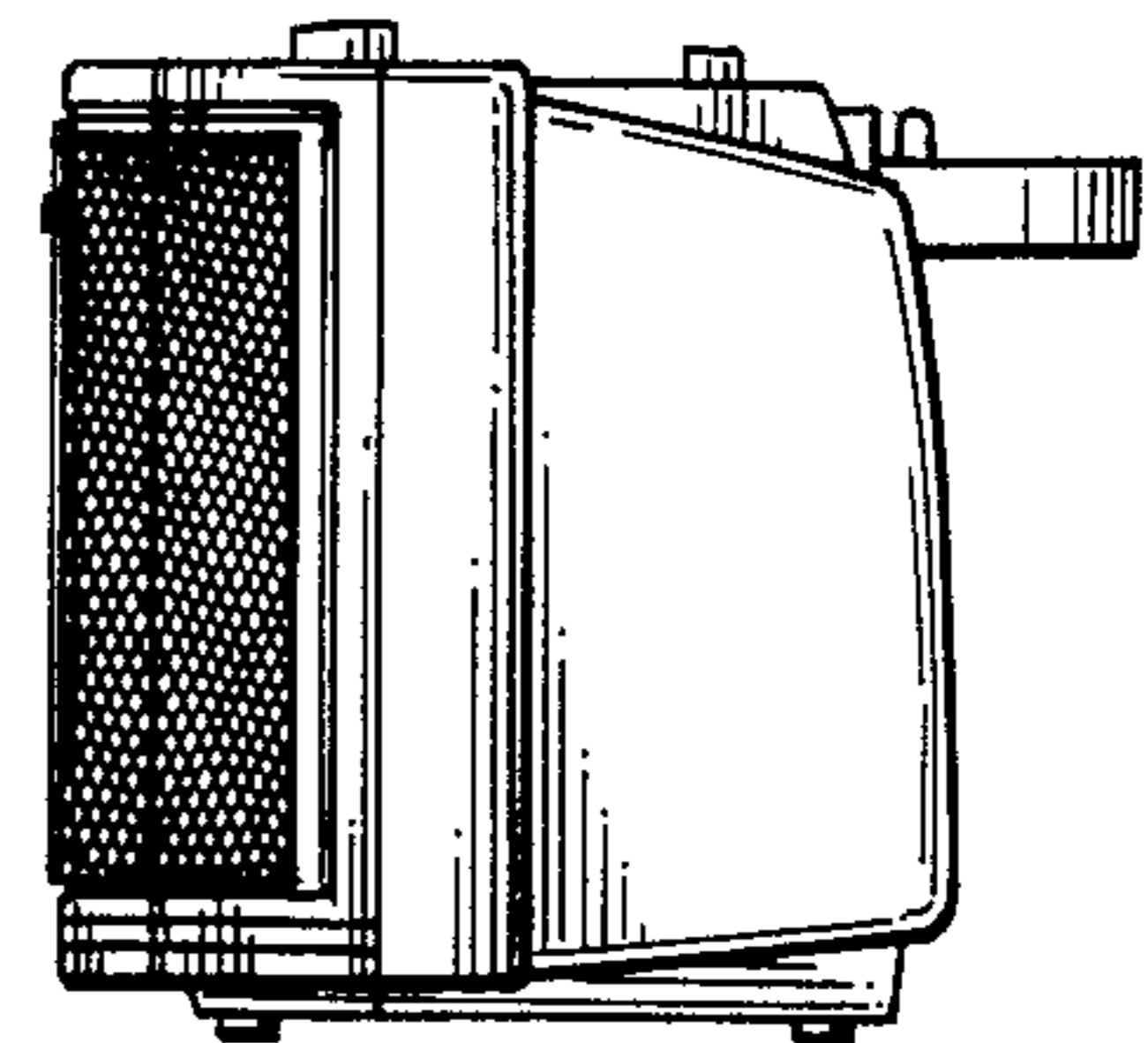


FIG. 6

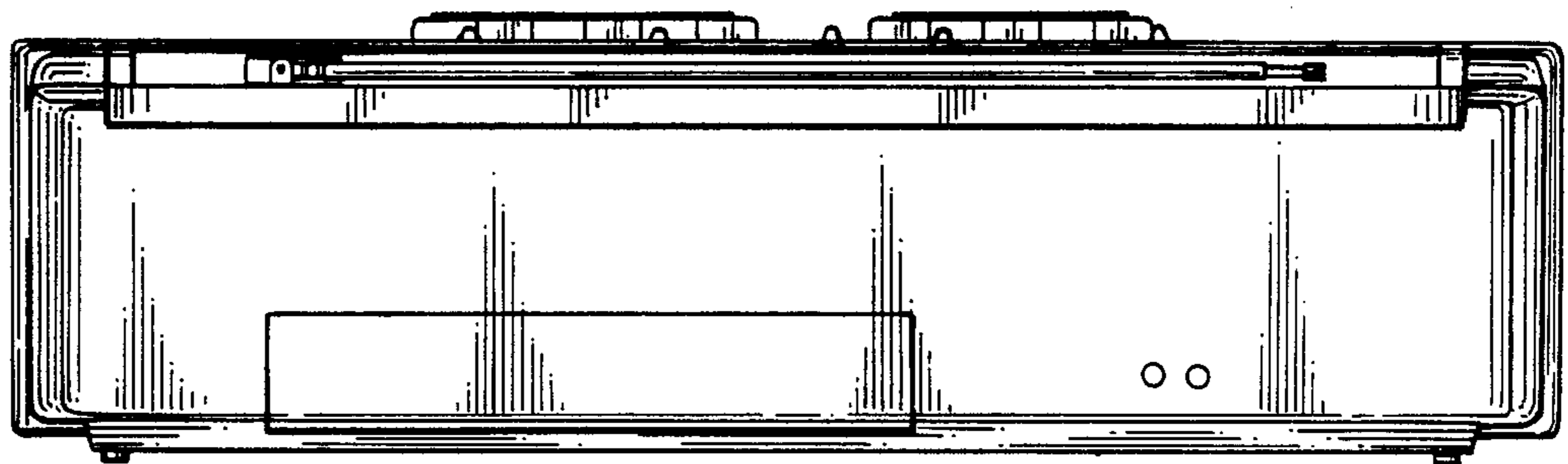


FIG. 7

