

[54] PORTABLE VIDEO SYSTEM

[75] Inventors: William L. Mannion, Allendale; Ira Diamond, Ramsey, both of

[73] Assignee: Sony Corporation, Tokyo, Japan

[**] Term: 14 Years

[21] Appl. No.: 137,651

[22] Filed: Dec. 24, 1987

[52] U.S. Cl. D14/129

[58] Field of Search D14/124-126, D14/146; 358/254; 312/114, 701; 455/347, 231

[56] References Cited

U.S. PATENT DOCUMENTS

4,719,513 1/1988 Peterson 312/114
4,755,881 7/1988 Bartlett 358/254

Primary Examiner—Bernard Ansher

Assistant Examiner—David Jeo

Attorney, Agent, or Firm—Lewis H. Eslinger; Jay H. Maioli

[57] CLAIM

The ornamental design for a portable video system, as shown and described.

DESCRIPTION

FIG. 1 is a front elevational view of a portable video system, showing our new design;

FIG. 2 is a front elevational view thereof, shown with hood and screen in the raised position and a camera mounted on the raised staff;

FIG. 3 is a rear elevational view of FIG. 1;

FIG. 4 is a rear elevational view of FIG. 2;

FIG. 5 is a left side elevational view of FIG. 1;

FIG. 6 is a left side elevational view of FIG. 2;

FIG. 7 is a right side elevational view of FIG. 1;

FIG. 8 is a right side elevational view of FIG. 2;

FIG. 9 is a top plan view of FIG. 1; and

FIG. 10 is a bottom plan view thereof.

The broken line showing of camera is for illustrative purposes only and forms no part of the claimed design.

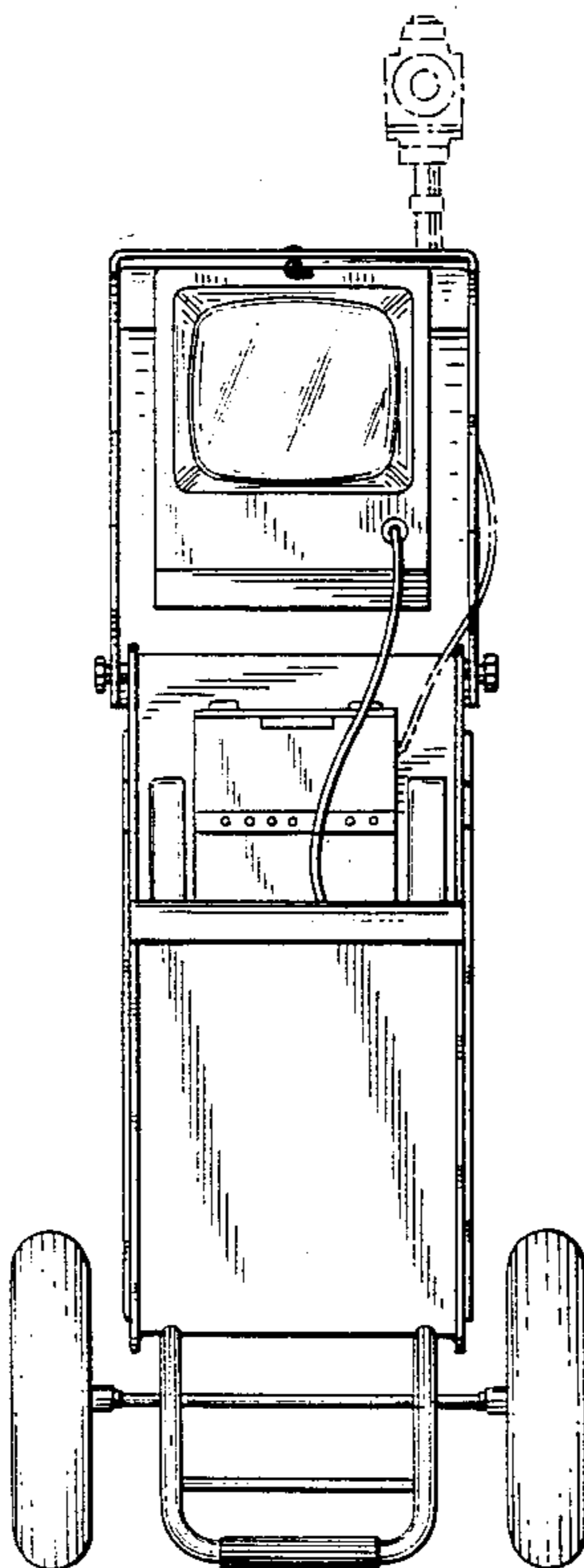


FIG. 1

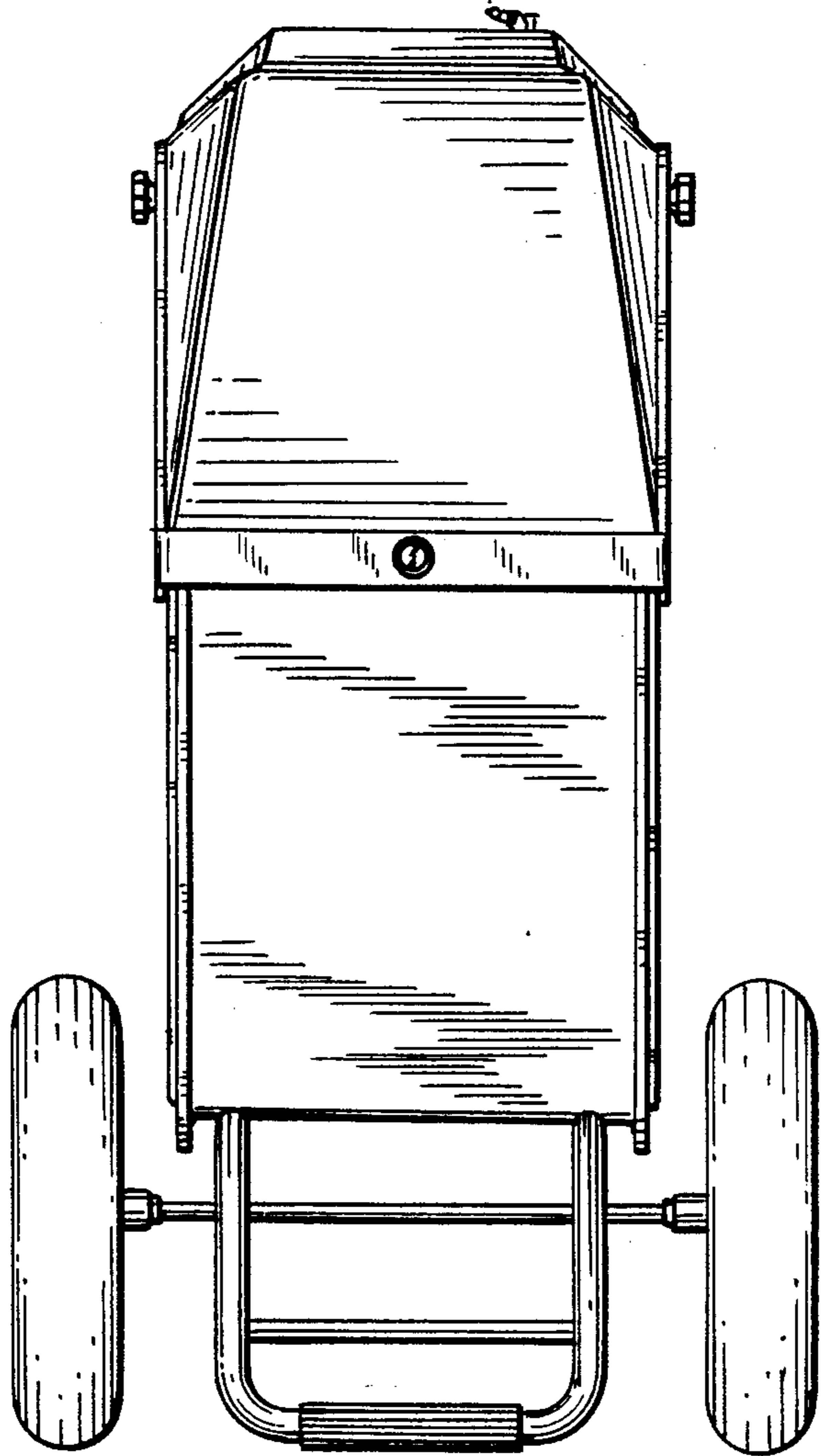


FIG. 2

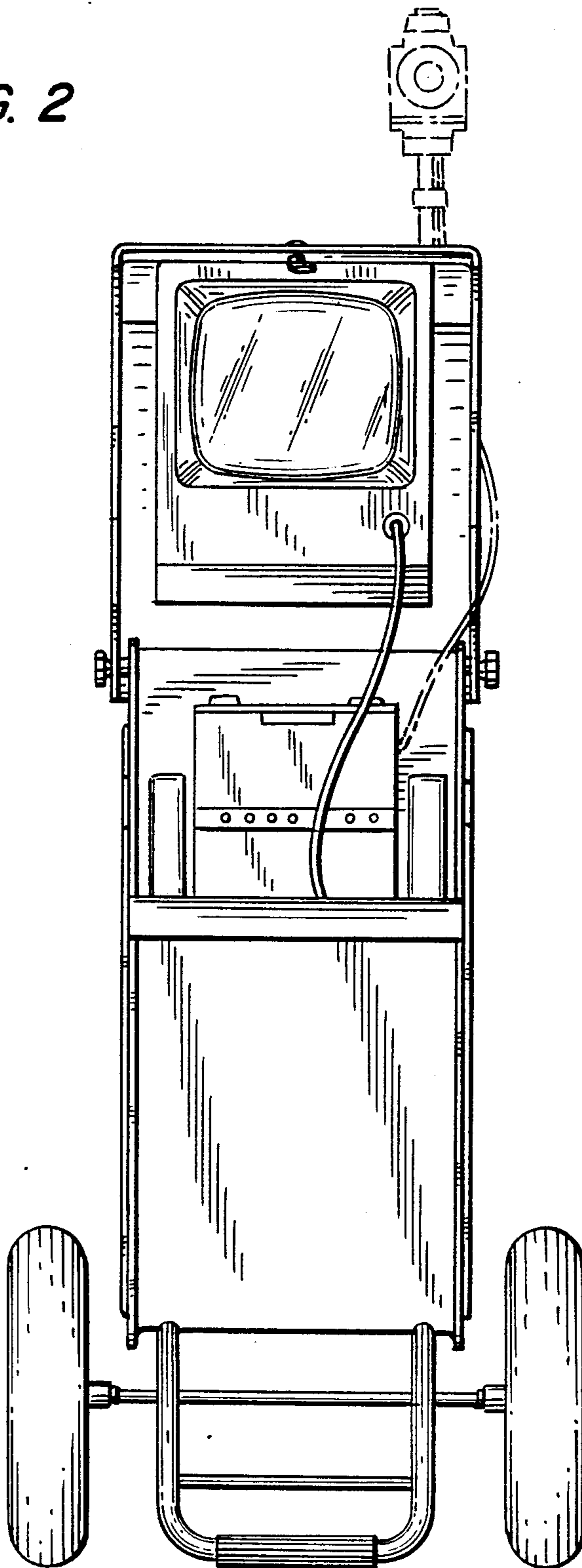


FIG. 3

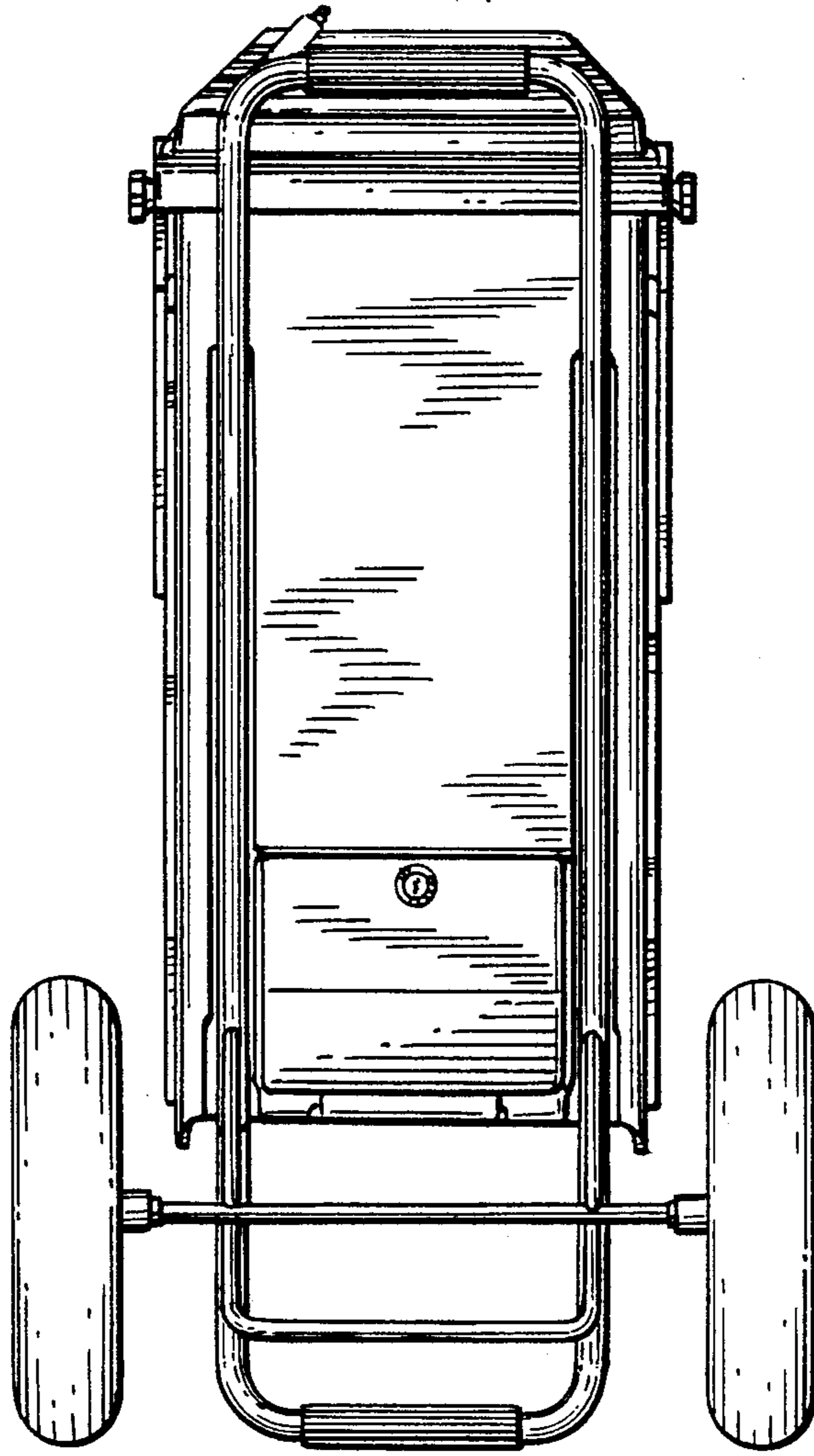


FIG. 4

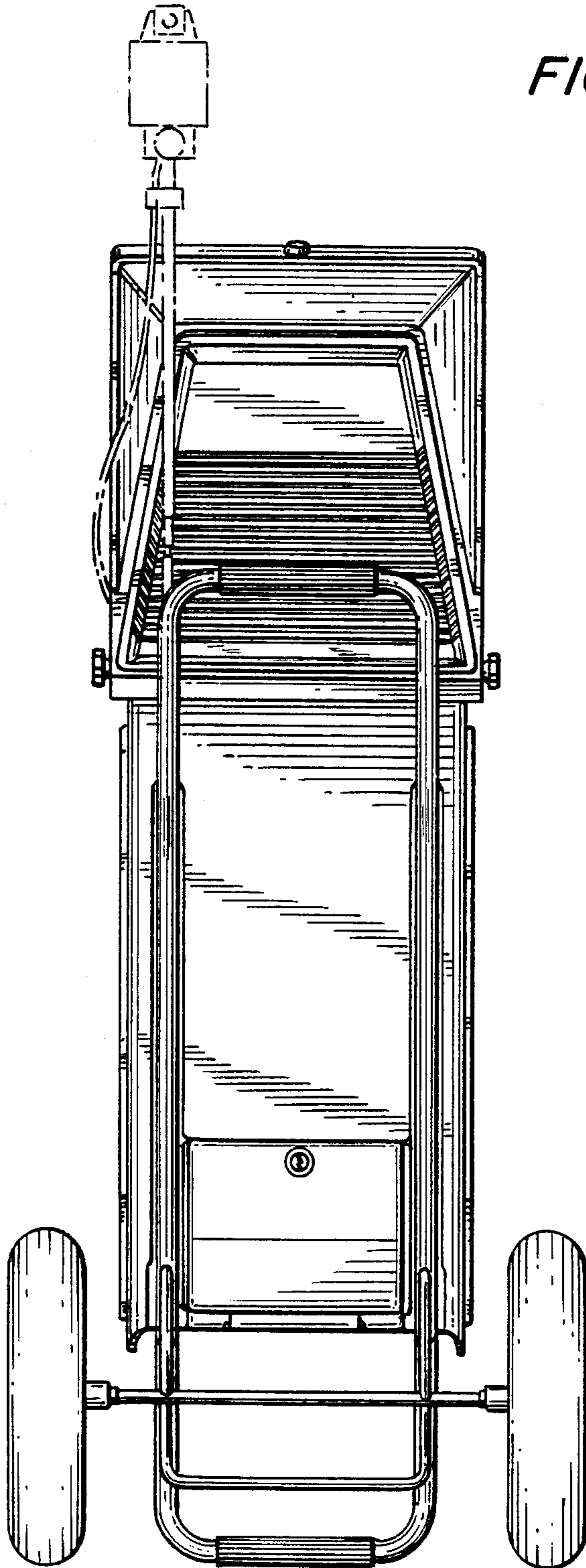
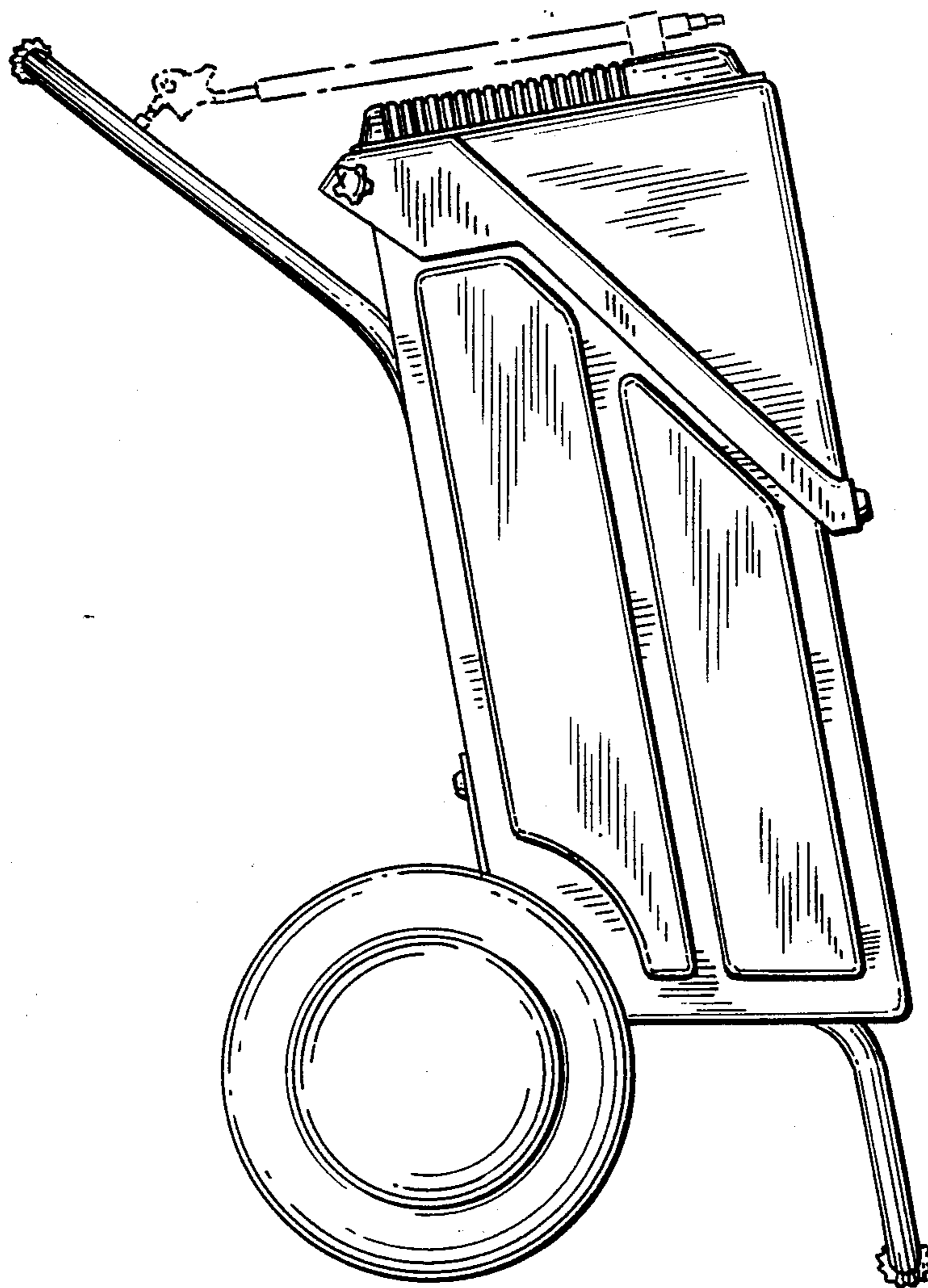


FIG. 5



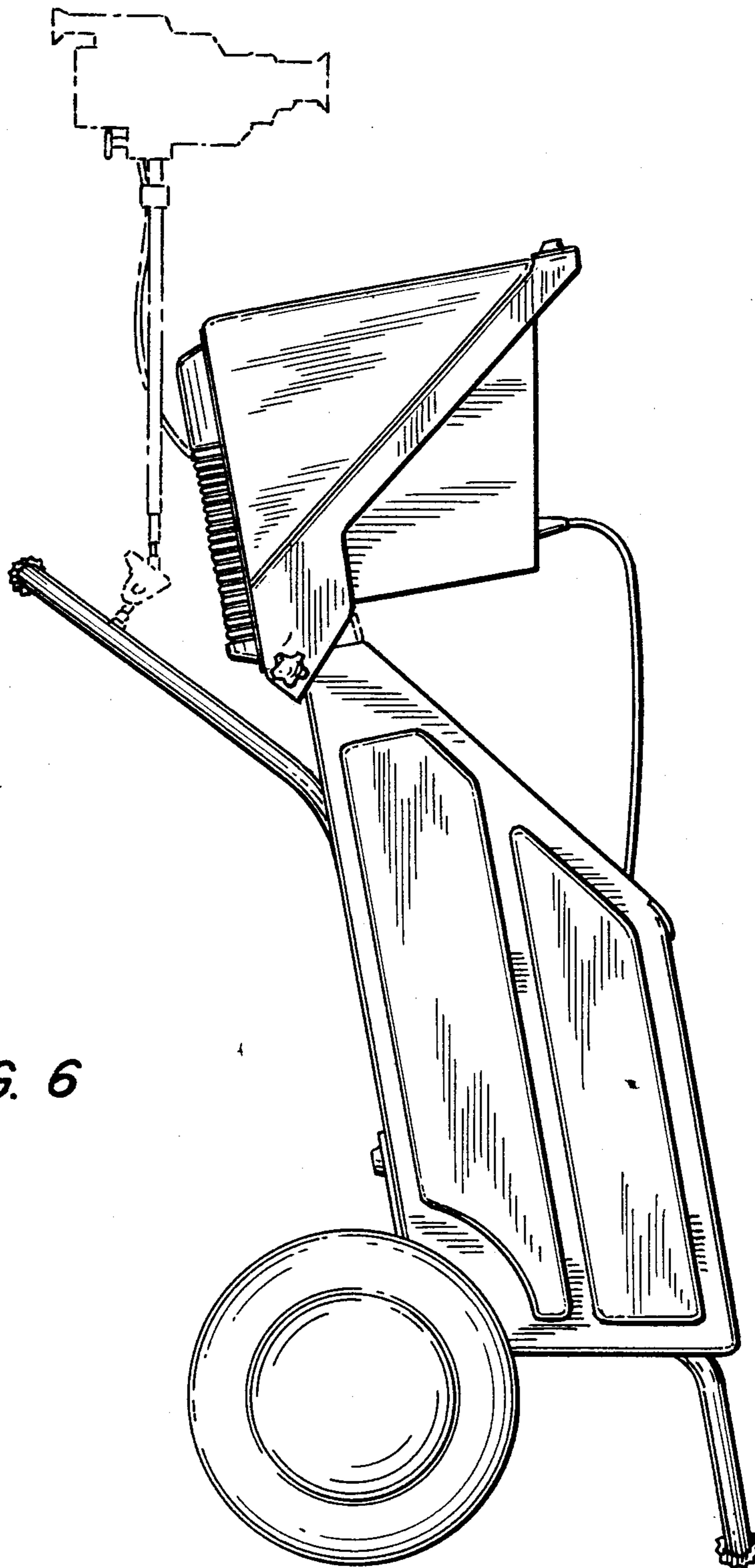


FIG. 6

FIG. 7

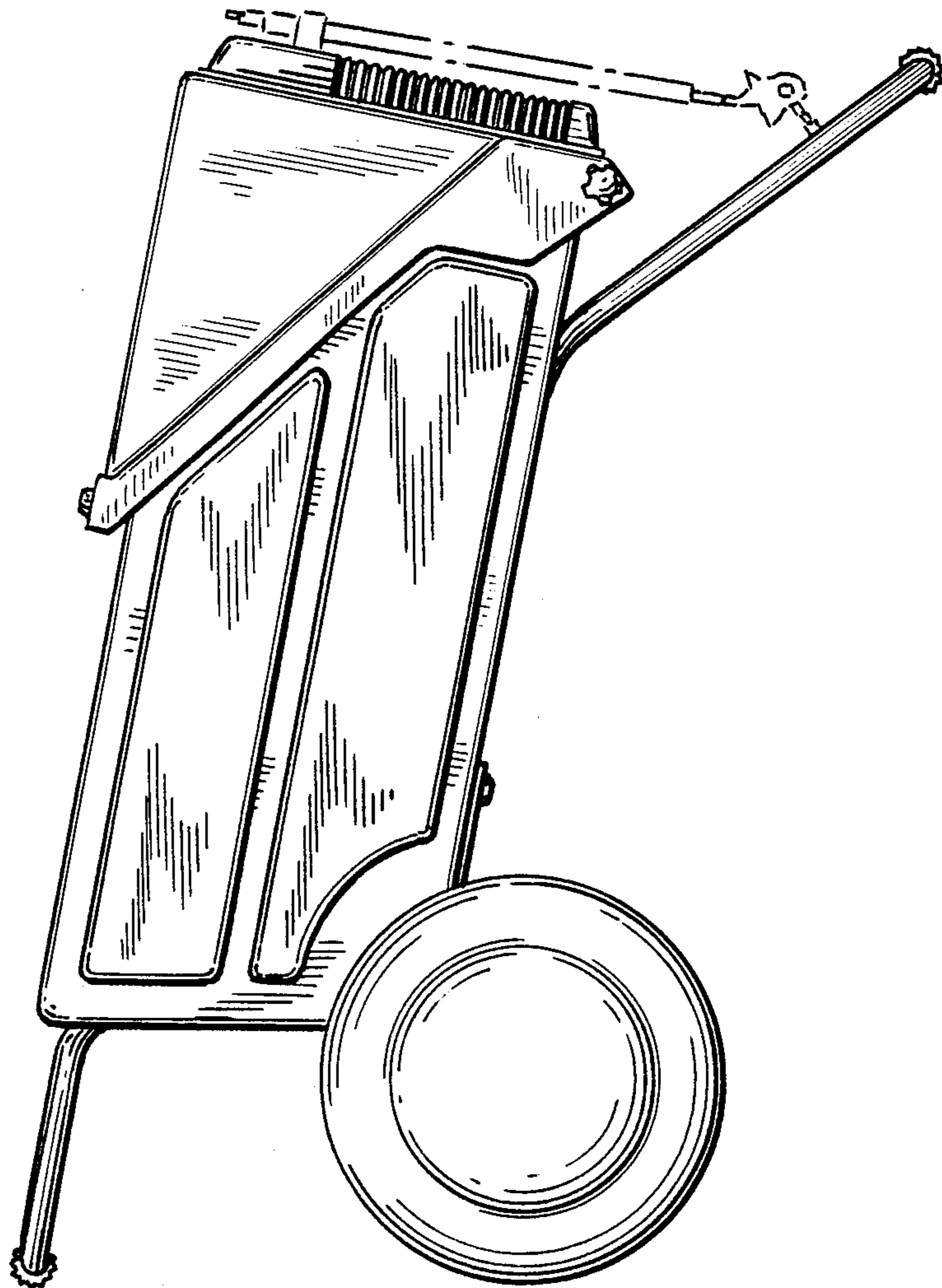


FIG. 8

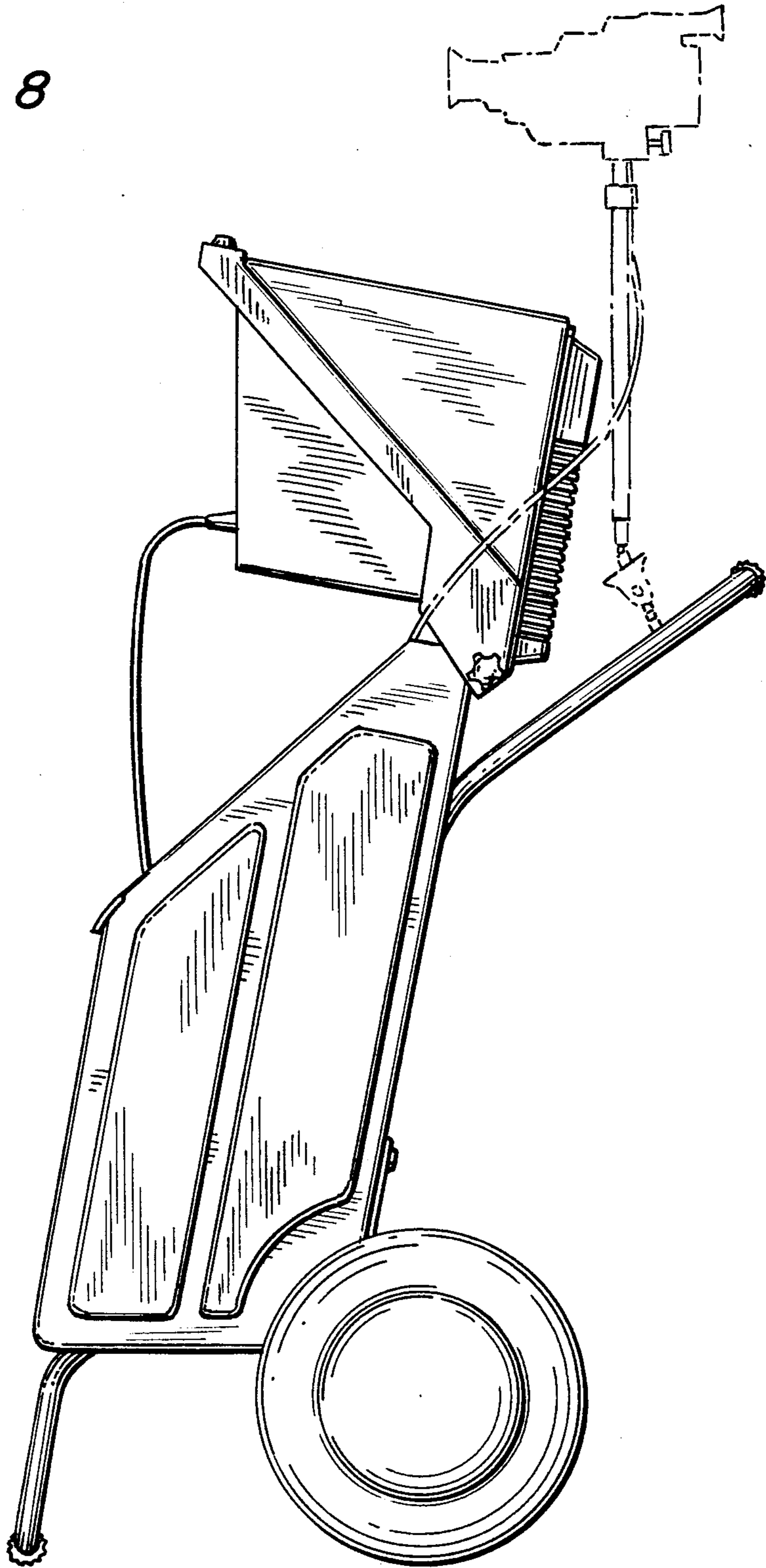


FIG. 9

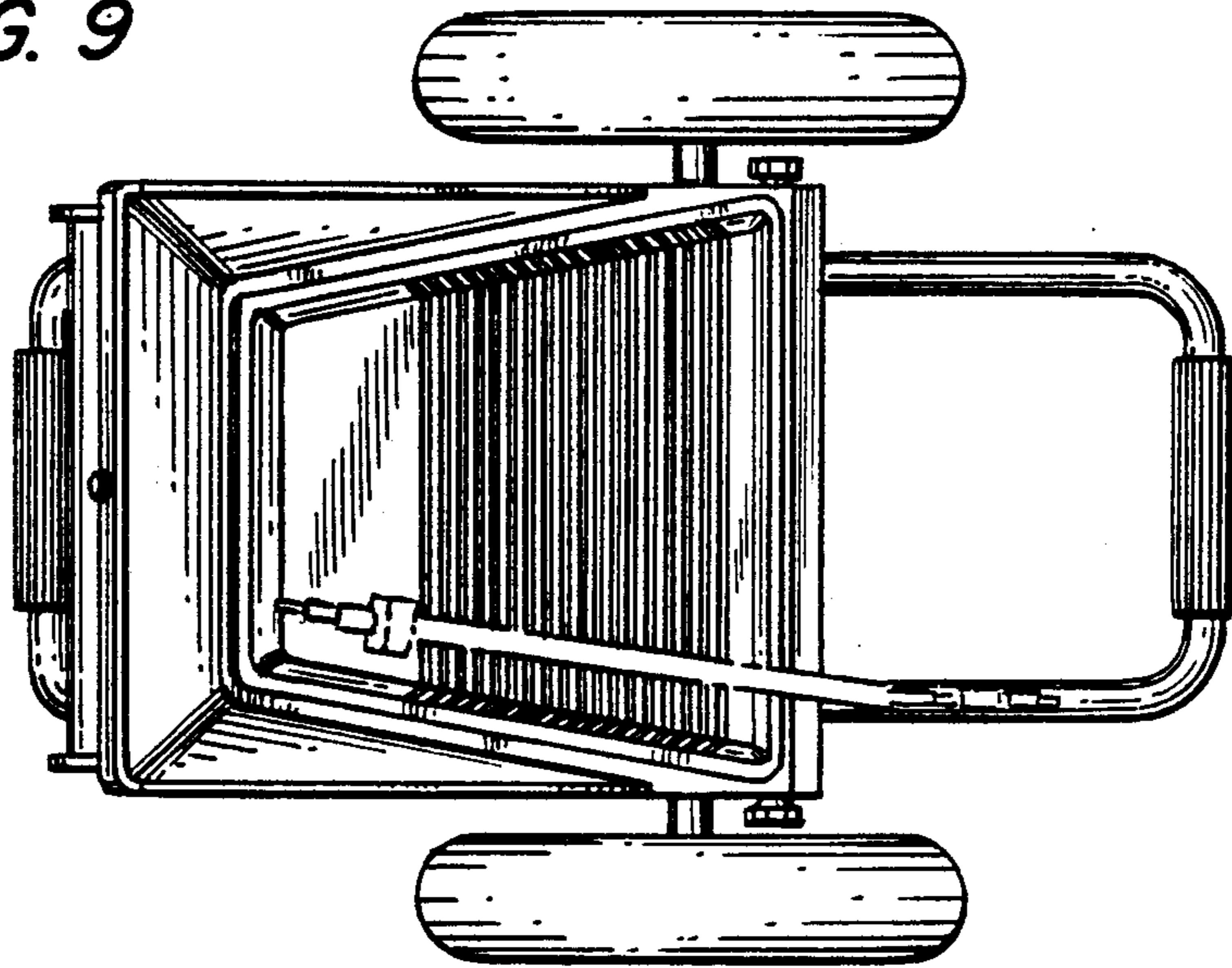


FIG. 10

