

[54] DISPLAY

[75] Inventor: Ettore Sottsass, Milan, Italy

[73] Assignee: Ing. C. Olivetti & C., S.p.A., Ivrea, Italy

[*] Notice: The portion of the term of this patent subsequent to Jun. 5, 2007 has been disclaimed.

[**] Term: 14 Years

[21] Appl. No.: 129,084

[22] Filed: Dec. 7, 1987

[30] Foreign Application Priority Data

Jun. 15, 1987 [IT] Italy 53419/87[U]
 [52] U.S. Cl. D14/113
 [58] Field of Search D14/100, 102, 105, 106,
 D14/107, 113, 114, 115; 340/700, 706, 711, 712;
 341/22, 23; 358/248, 249, 254; 312/7.2, 208;
 248/122, 125, 127, 133, 149, 161, 178, 179, 183,
 349, 346, 371

[56] References Cited

U.S. PATENT DOCUMENTS

D. 276,236	11/1984	Akiyama	D14/113
D. 287,013	12/1986	Satherley	D14/106
D. 288,567	3/1987	Moggridge	D14/106
D. 290,704	7/1987	Schaum et al.	D14/113
D. 299,347	1/1989	Landry et al.	D14/113
4,645,153	2/1987	Granzow et al.	248/178

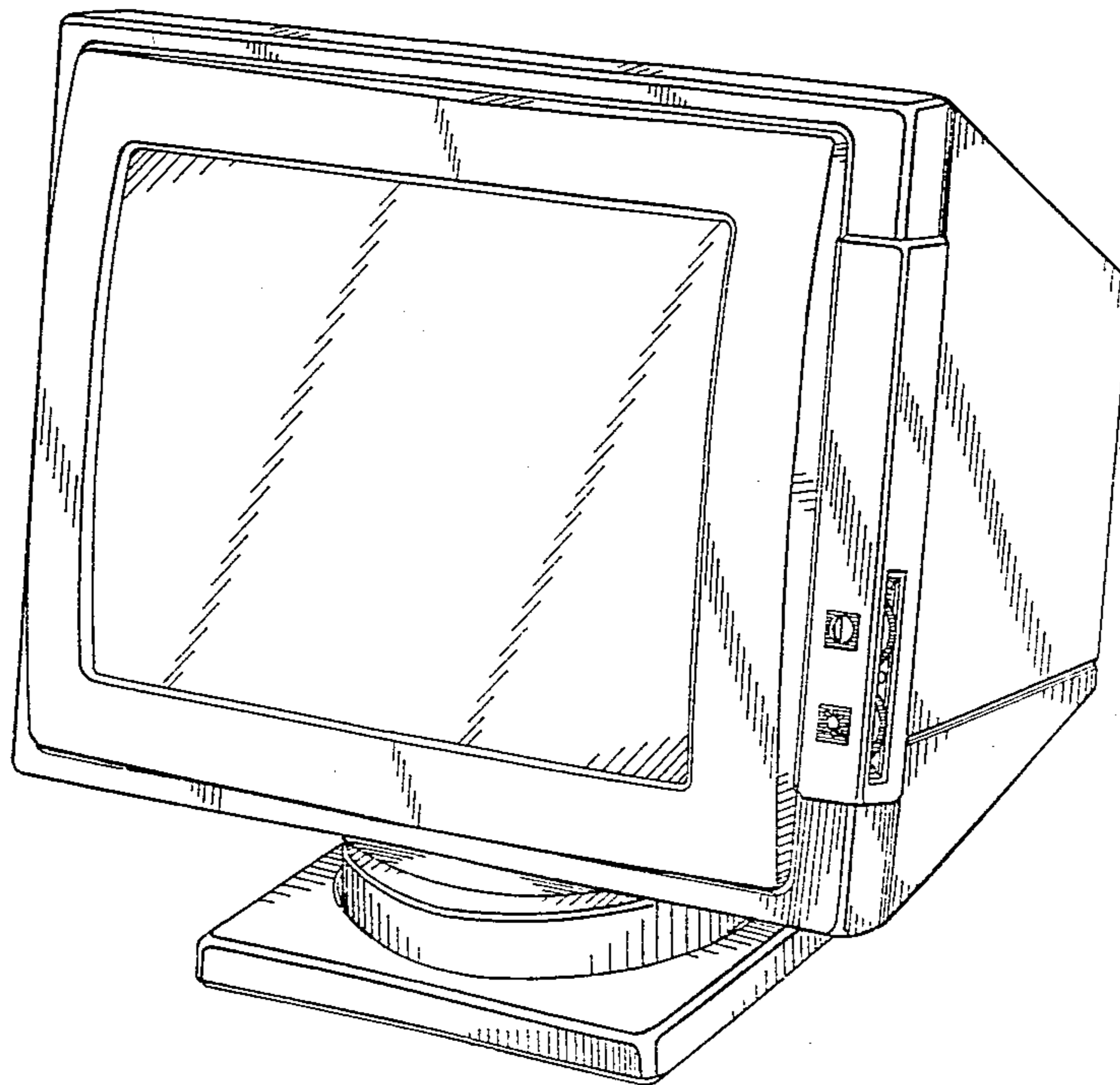
Primary Examiner—Susan J. Lucas
 Assistant Examiner—Freda S. Nunn
 Attorney, Agent, or Firm—Banner, Birch, McKie & Beckett

[57] CLAIM

The ornamental design for a display, as shown and described.

DESCRIPTION

FIG. 1 is a front and right side perspective view of a display showing my new design;
 FIG. 2 is a rear and left side perspective view thereof;
 FIG. 3 is a left side elevational view thereof;
 FIG. 4 is a top plan view thereof;
 FIG. 5 is a bottom plan view thereof.
 FIG. 6 is a right side elevational view thereof.



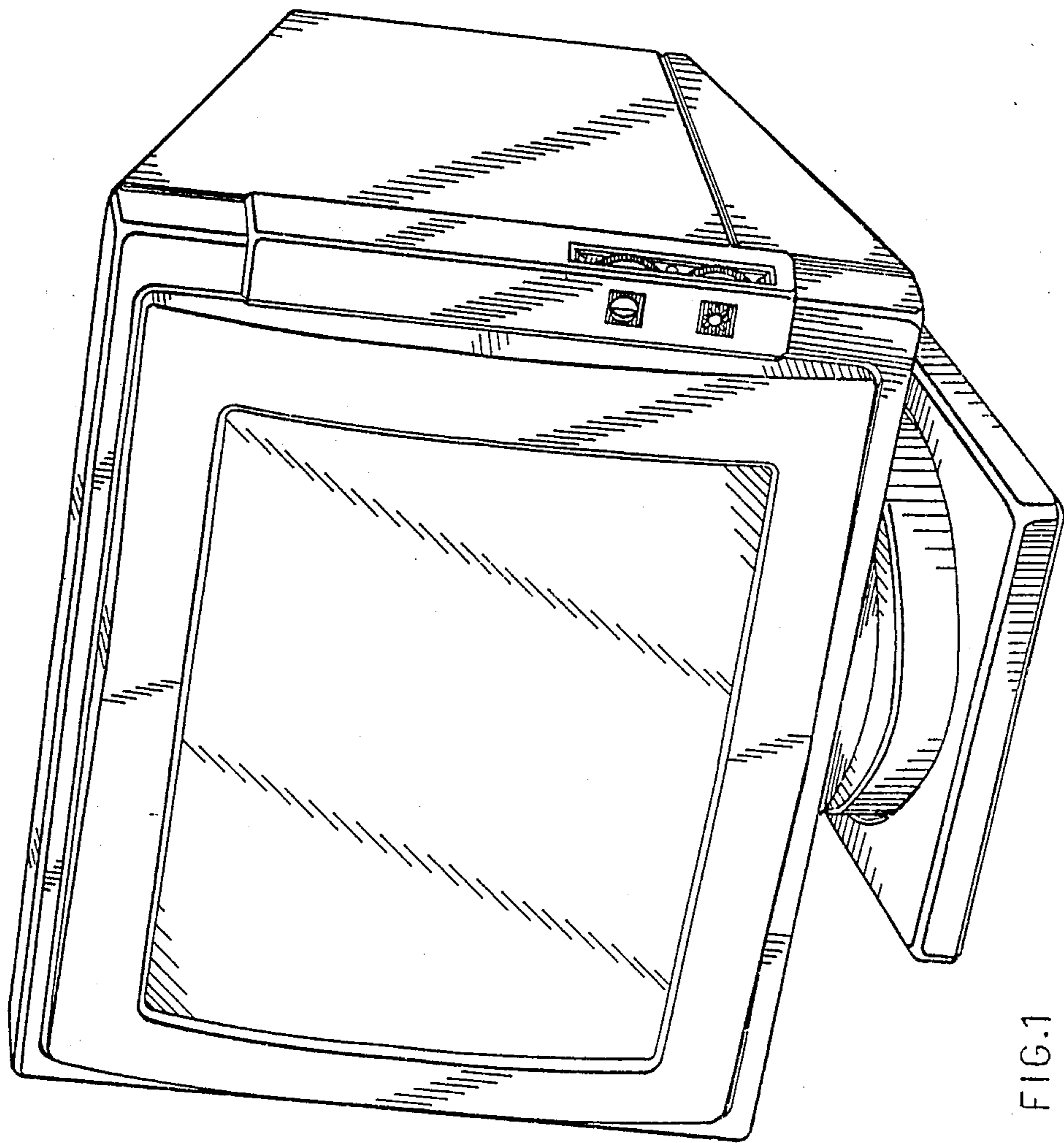


FIG.1

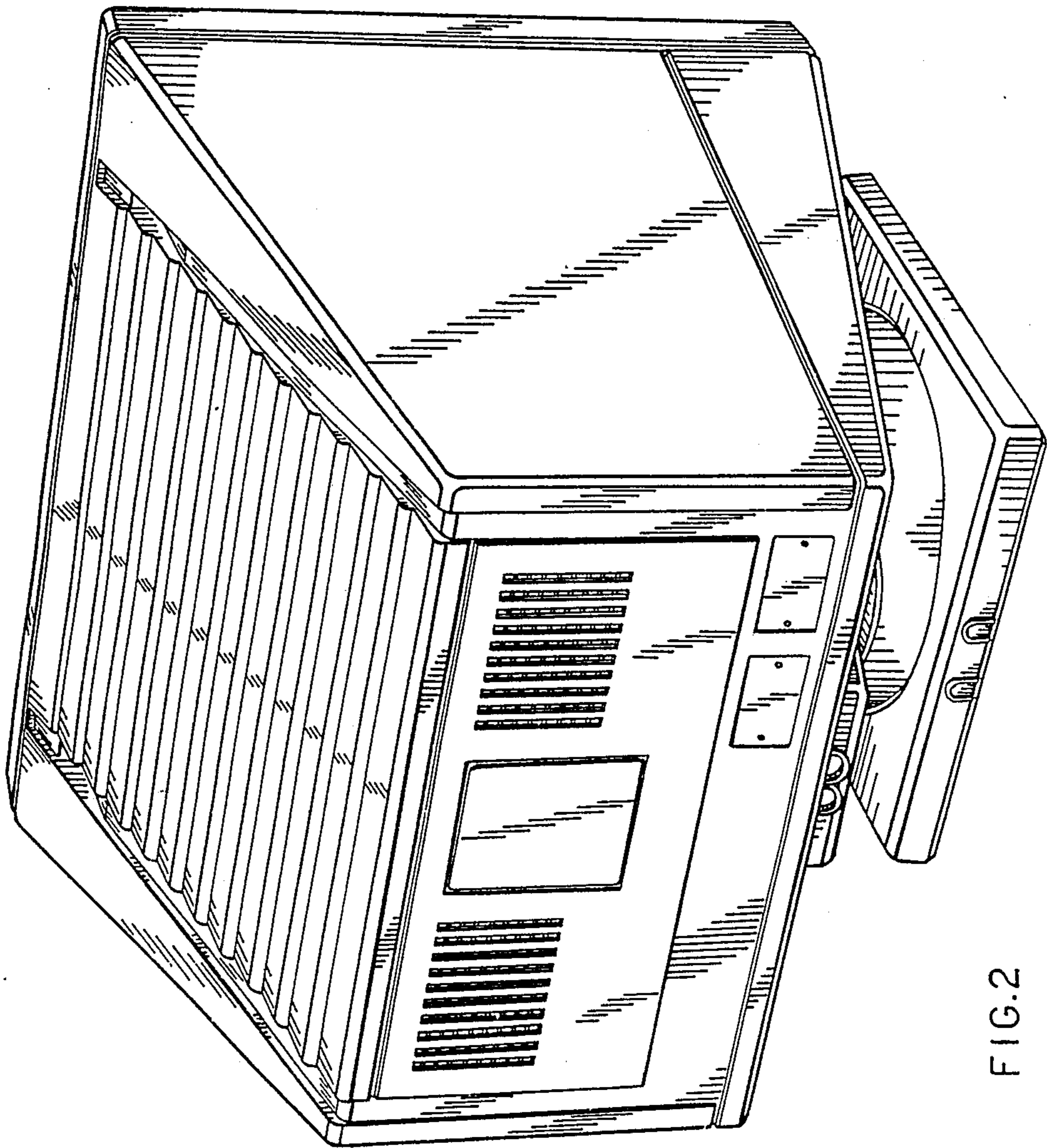


FIG.2

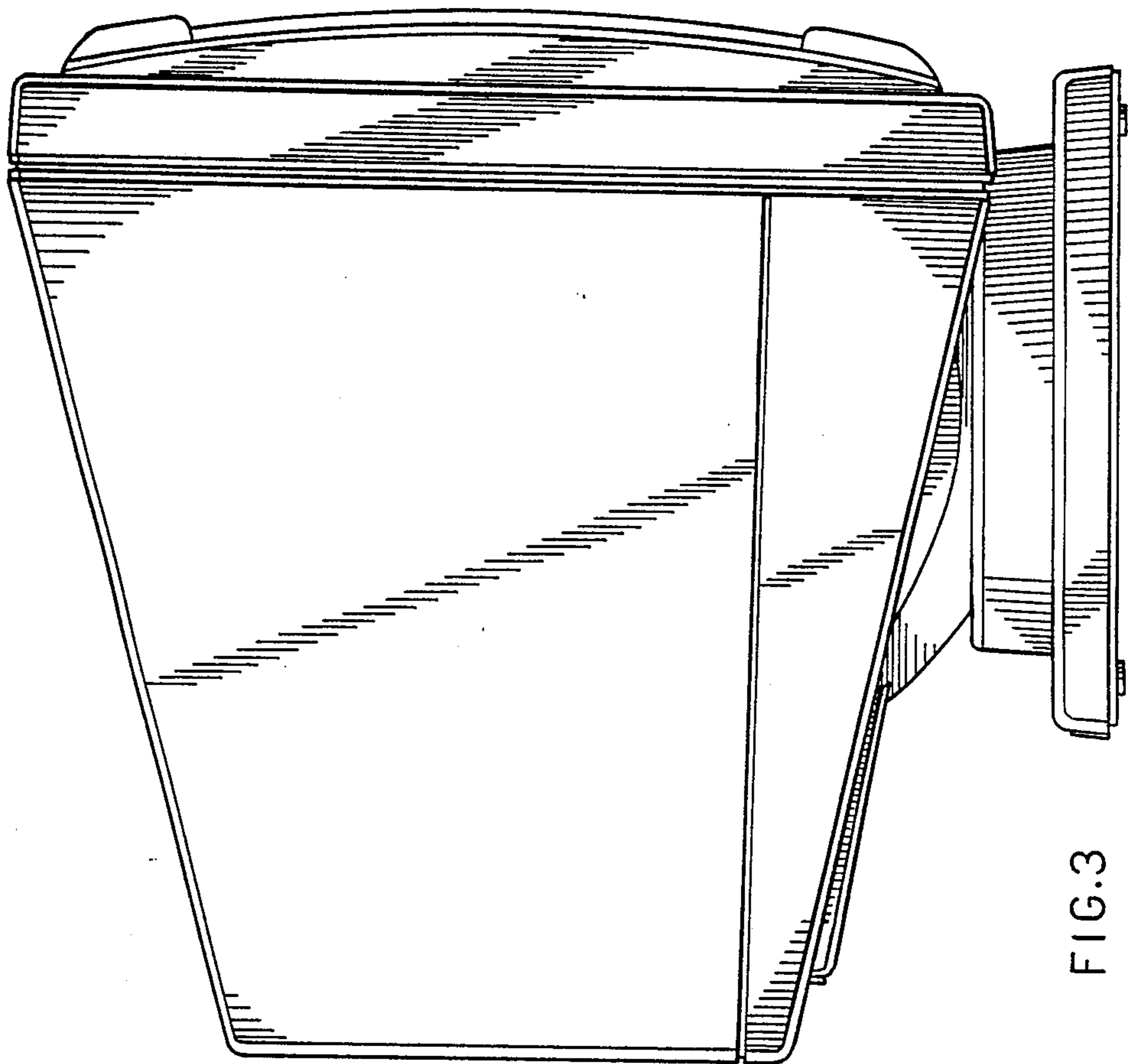


FIG.3

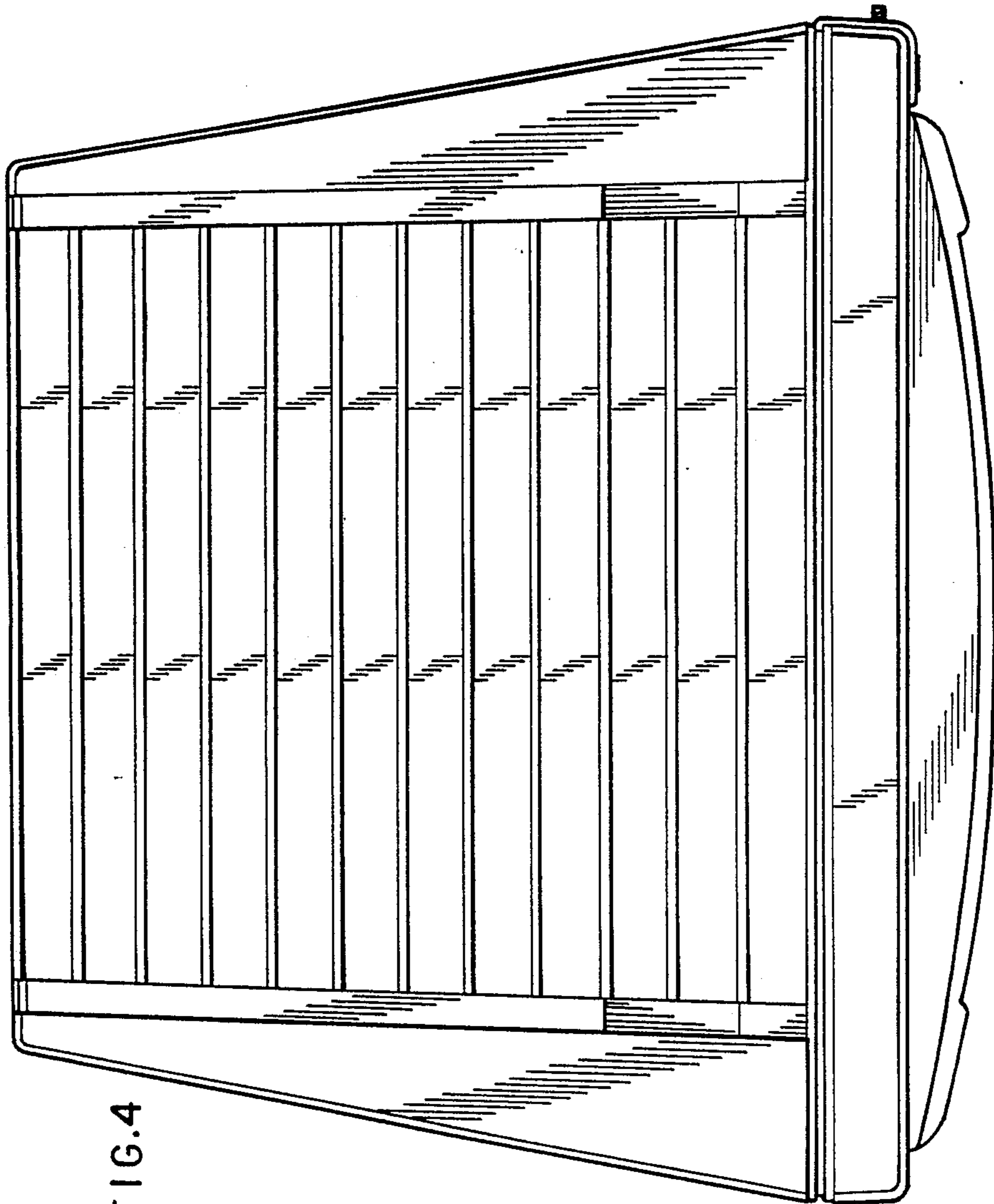


FIG.4

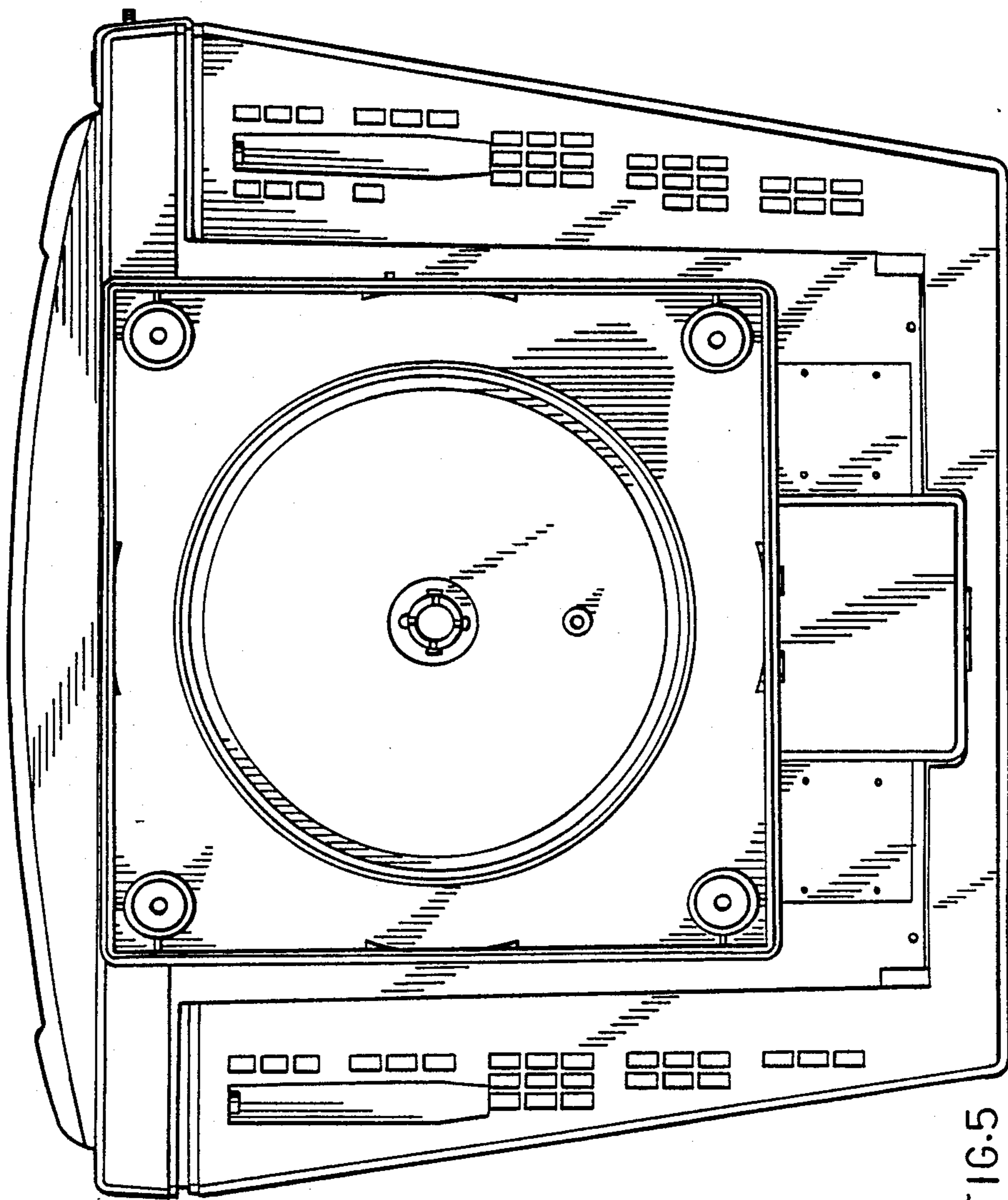


FIG.5

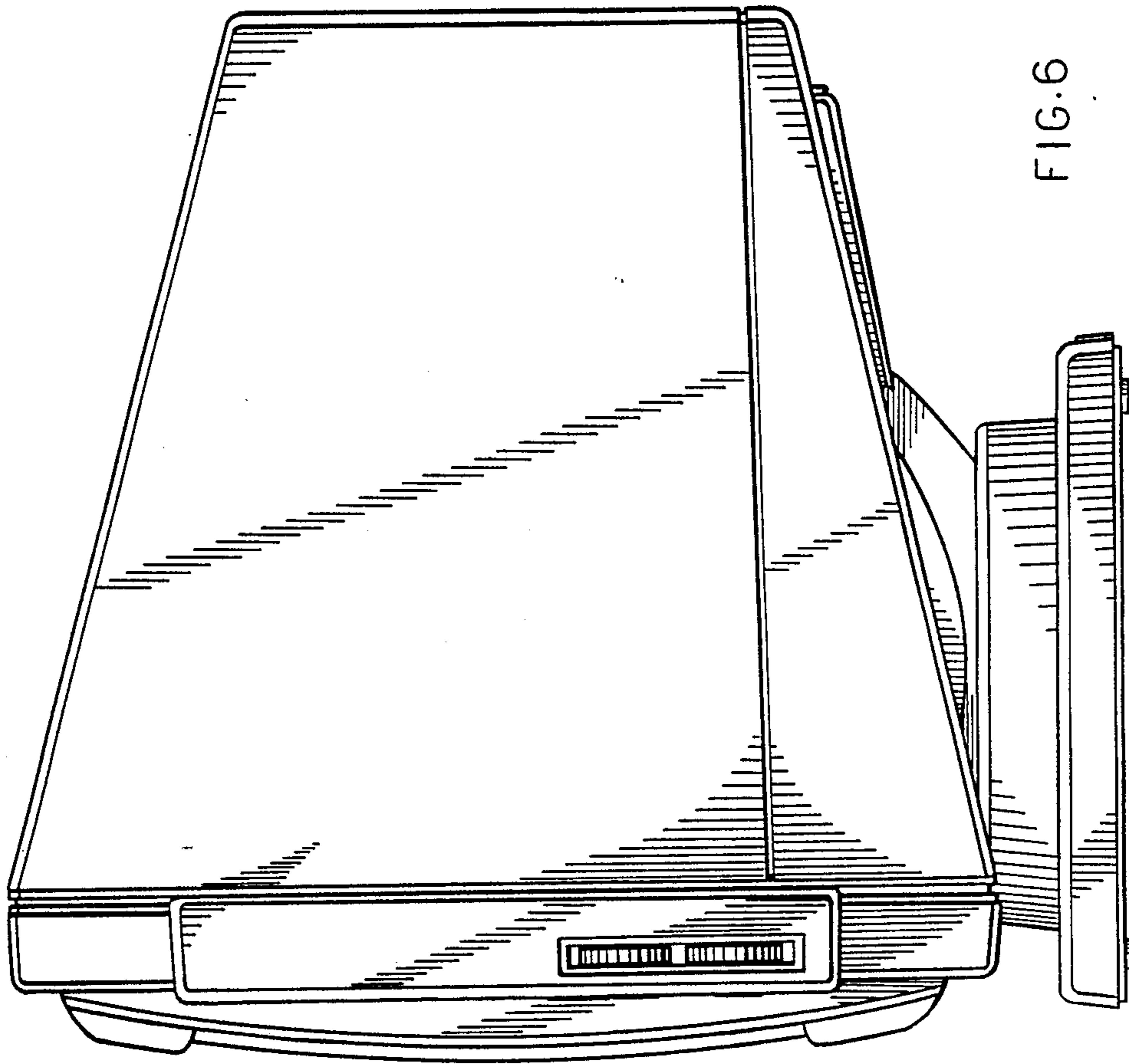


FIG. 6