

[54] **CURRENCY SORTING MACHINE**

[75] **Inventors: Kenneth G. Sadler; Clive J. Southernwood, both of Horsham, England**

[73] **Assignee: De La Rue Systems Limited, England**

[**] **Term: 14 Years**

[21] **Appl. No.: 87,741**

[22] **Filed: Aug. 21, 1987**

[30] **Foreign Application Priority Data**

Feb. 25, 1987 [GB] United Kingdom 1040254
[52] **U.S. Cl.** **D14/110**
[58] **Field of Search** D14/100, 103, 104, 110;
D13/40, 41; 235/145 A, 145 R, 130 R;
209/509, 534, 546, 547, 554, 569, 592, 603, 610,
611, 613, 630, 656, 659, 684; 271/278, 280

[56]

References Cited

U.S. PATENT DOCUMENTS

D. 266,513 10/1982 Richelet et al. D14/103
D. 205,513 8/1966 Hockenberry D14/110
D. 245,777 9/1977 Shawen et al. D14/104
4,251,000 2/1981 Templeton 209/547
4,694,963 9/1987 Takesako 209/534
4,787,518 11/1988 Yuge et al. 209/534

Primary Examiner—Susan J. Lucas
Assistant Examiner—Freda S. Nunn
Attorney, Agent, or Firm—Silverman, Cass & Singer, Ltd.

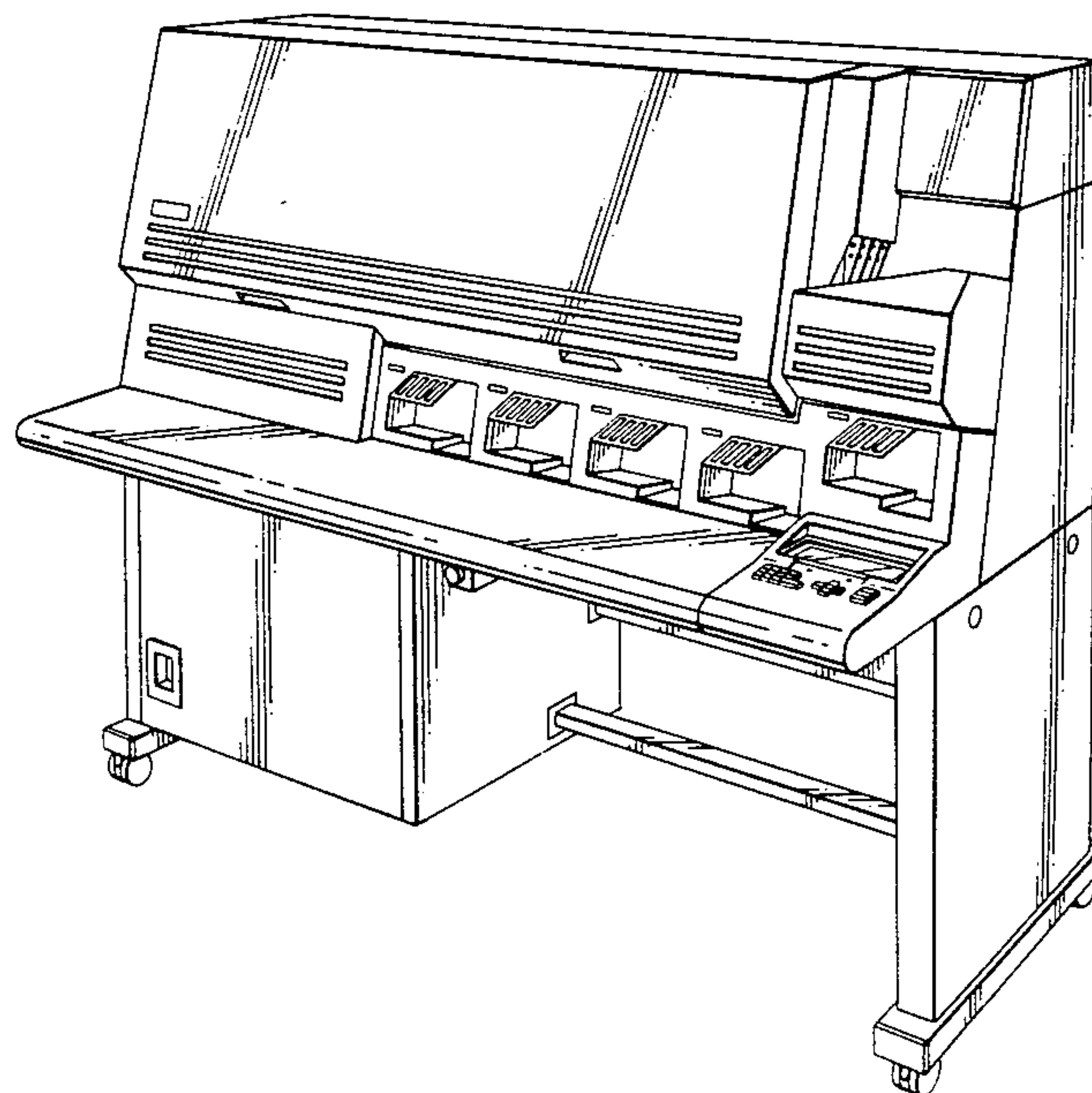
[57]

CLAIM

The ornamental design for a currency sorting machine, as shown.

DESCRIPTION

FIG. 1 is a top, front, right side perspective view of a currency sorting machine showing our new design;
FIG. 2 is a top plan view thereof;
FIG. 3 is a left side elevational view thereof;
FIG. 4 is a rear elevational view thereof;
FIG. 5 is a bottom plan view thereof.



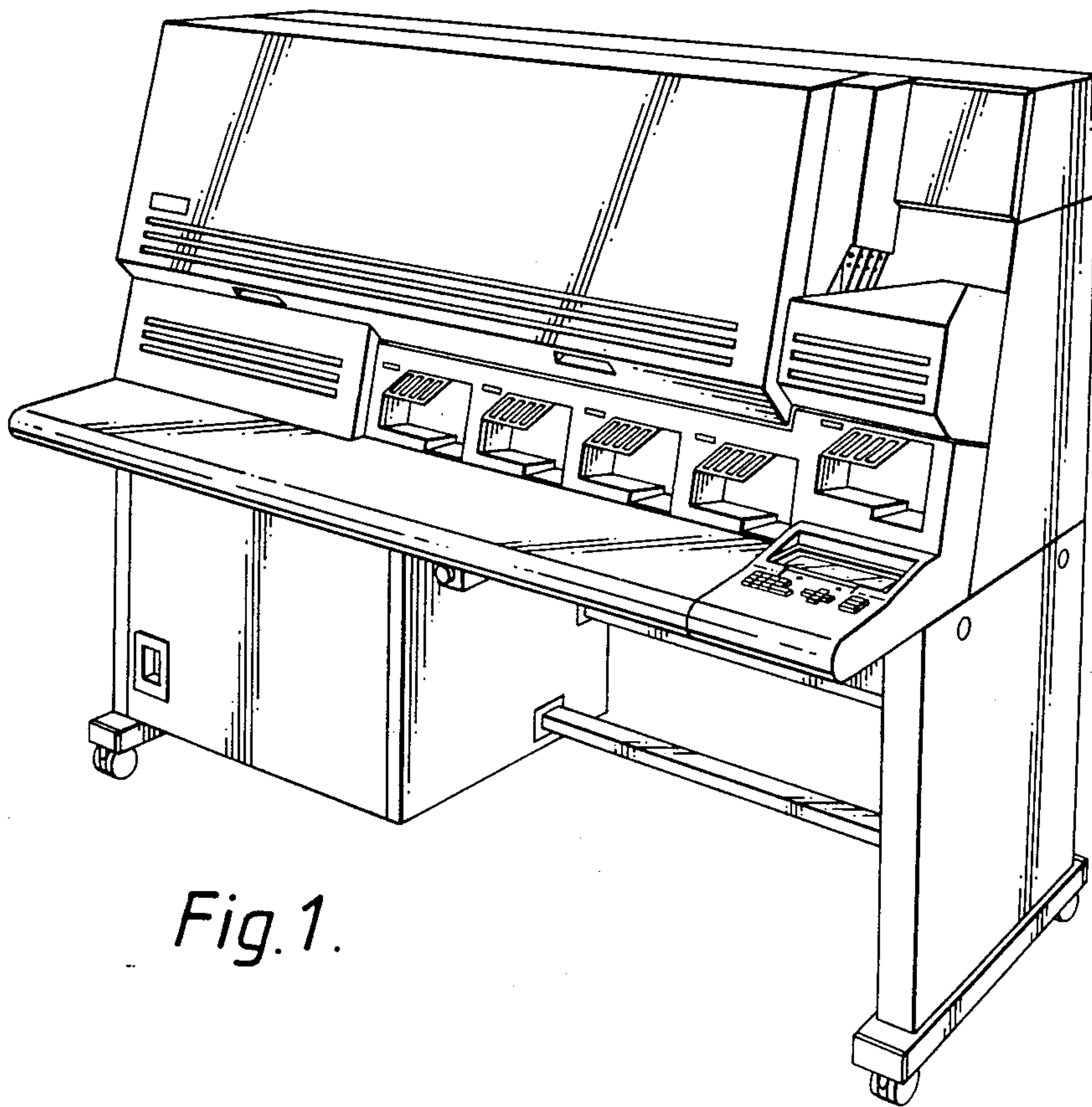


Fig. 1.

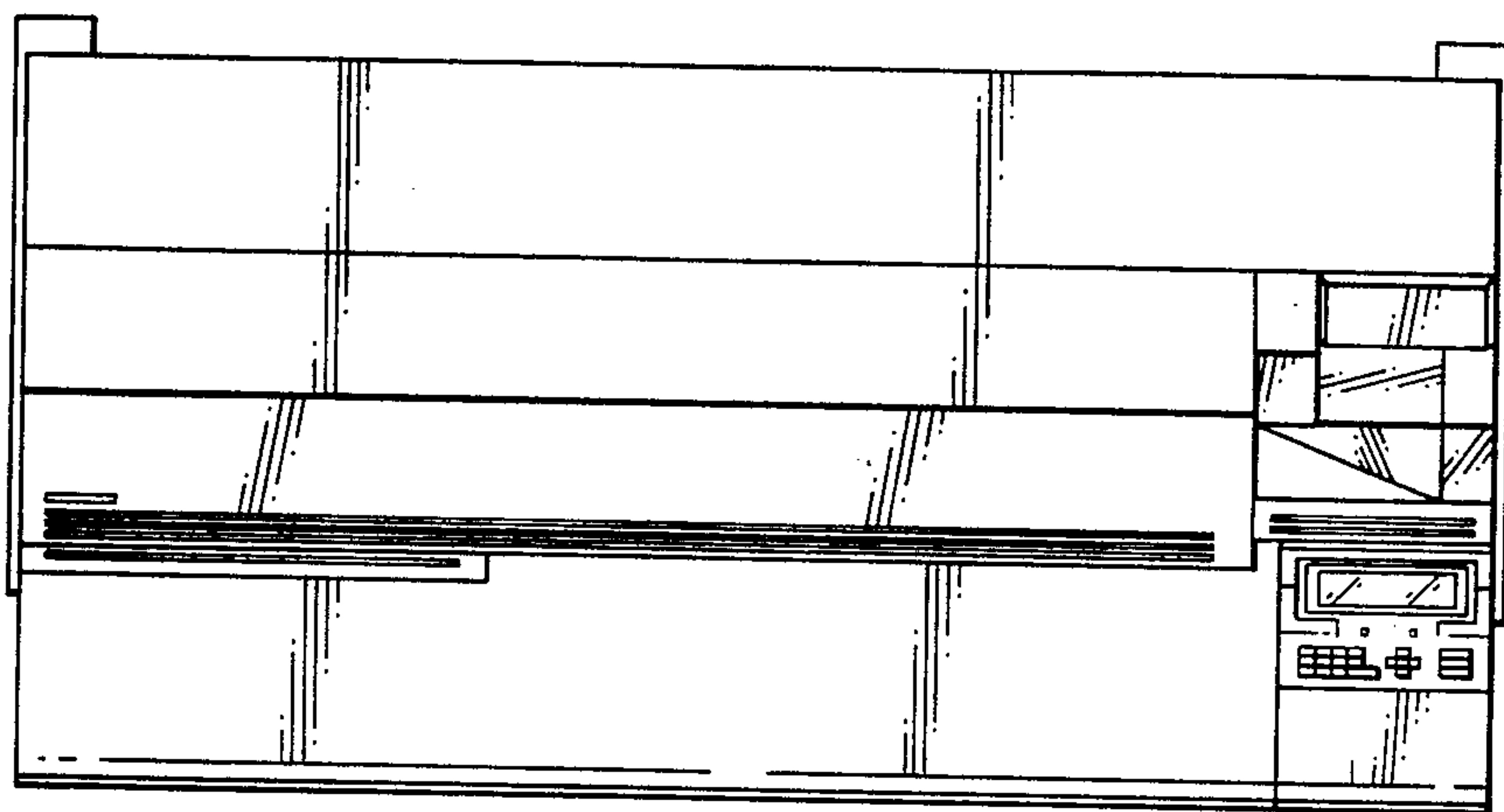


Fig. 2.

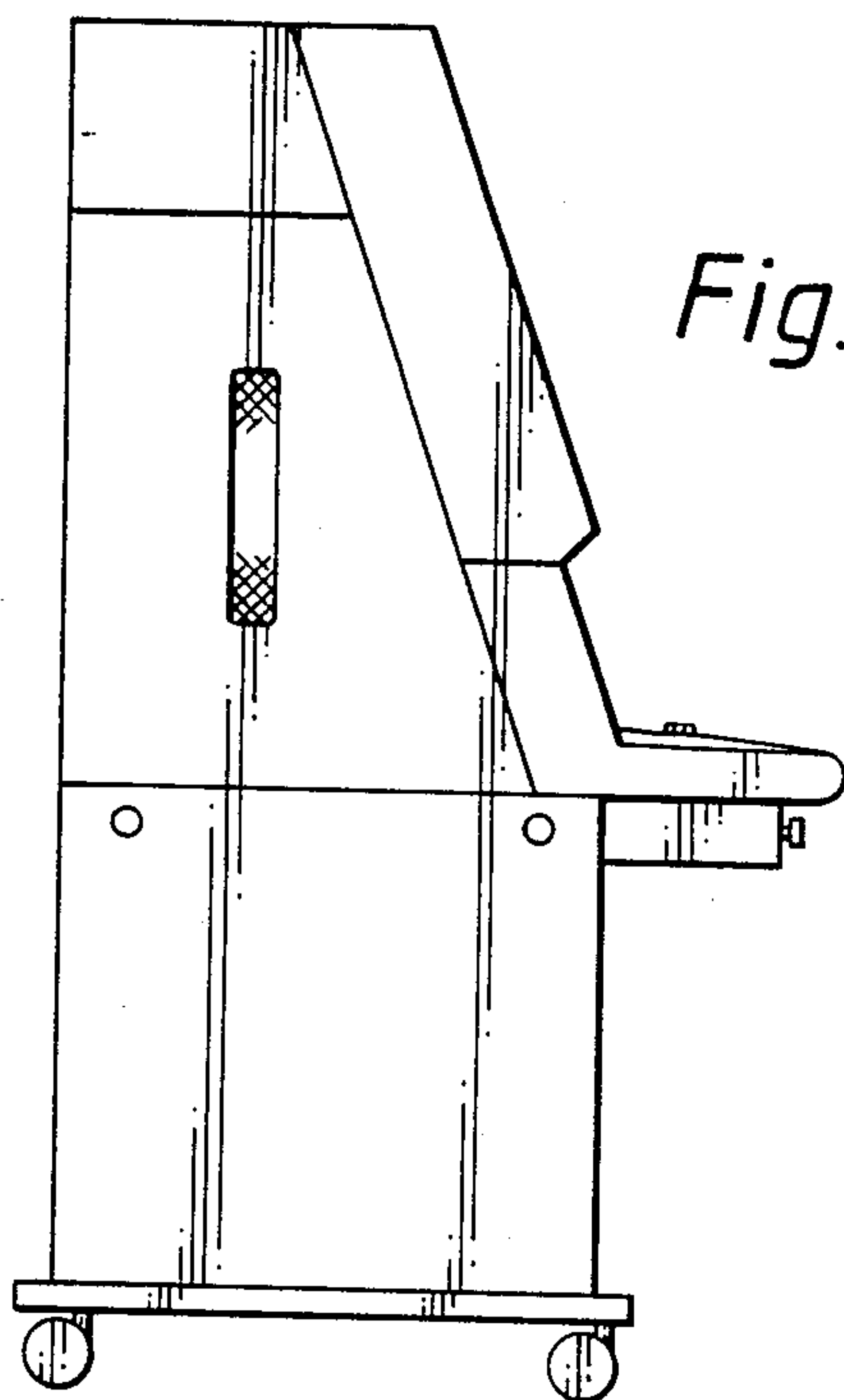


Fig. 3.

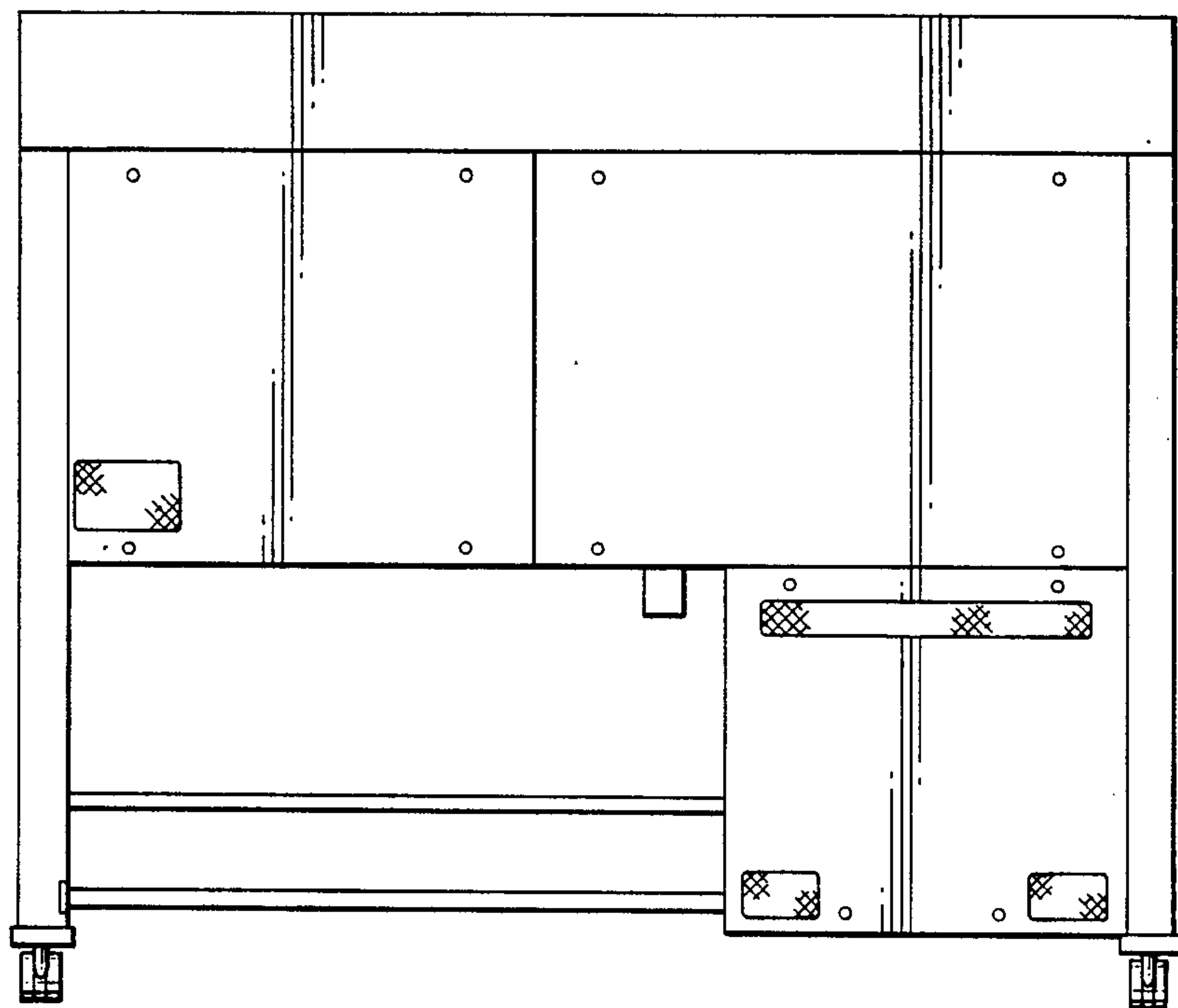


Fig. 4.

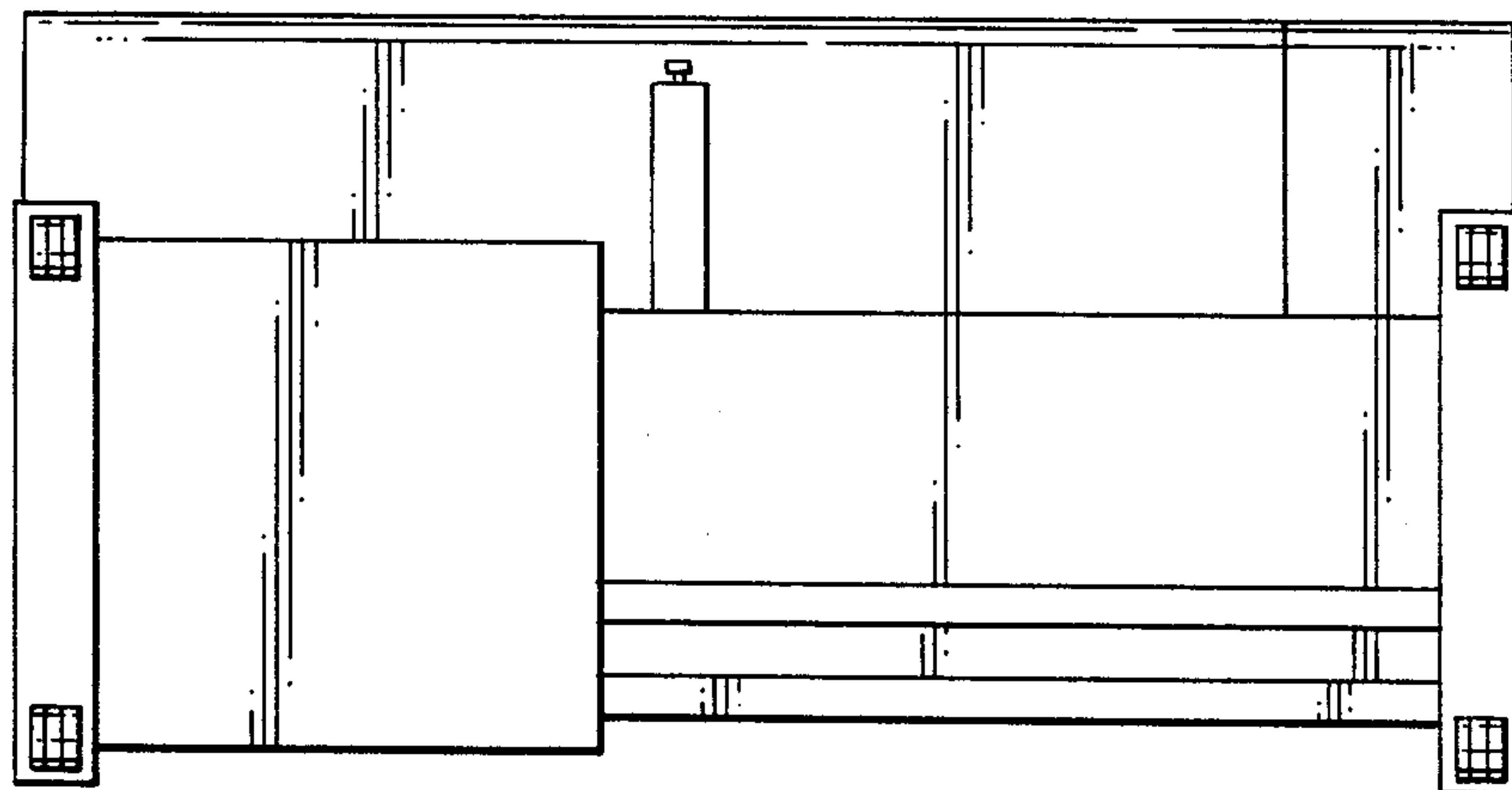


Fig. 5.