

[54] ENCLOSURE FOR A WATERTIGHT UNDERWATER COMPUTER DISPLAY MODULE

FOREIGN PATENT DOCUMENTS

0016125 2/1977 Japan 358/99

[76] Inventor: Robert Hollis, 14275 Catalina St., San Leandro, Calif. 94577

Primary Examiner—Susan J. Lucas
Assistant Examiner—Freda S. Nunn
Attorney, Agent, or Firm—Bruce & McCoy

[**] Term: 14 Years

[57] CLAIM

The ornamental design for an enclosure for a watertight underwater computer display module, as shown and described.

[21] Appl. No.: 3,219

DESCRIPTION

[22] Filed: Jan. 14, 1987

[52] U.S. Cl. D14/113

[58] Field of Search D14/100, 104, 105, 106, D14/107, 113, 114, 115; D18/1, 2, 6, 7, 11, 12; 340/700, 706, 711, 712; 358/249, 254, 99; 364/706-710, 130, 144, 189; 341/22, 23; 312/208; D19/38; 441/135, 136; D16/200-204; 354/64, 288; D10/57, 75, 78, 81, 98, 102

FIG. 1 is a top, front, right side perspective view of an enclosure for a watertight underwater computer display module showing my new design, the internal case is shown in broken lines for illustrative purposes only and form no part of the claimed design.

FIG. 2 is a front elevational view thereof on an enlarged scale;

FIG. 3 is a top plan view thereof on an enlarged scale; FIG. 4 is a rear elevational view thereof on an enlarged scale;

FIG. 5 is a bottom plan view thereof on an enlarged scale;

FIG. 6 is a front end elevational view thereof on an enlarged scale; and

FIG. 7 is a rear end elevational view thereof on an enlarged scale.

[56] References Cited

U.S. PATENT DOCUMENTS

- D. 300,304 3/1989 Iacovelli D10/57 X
- 3,916,094 10/1975 Marrone 358/99 X
- 4,005,282 1/1977 Jennings 364/413.31
- 4,586,136 4/1986 Lewis D14/100 X

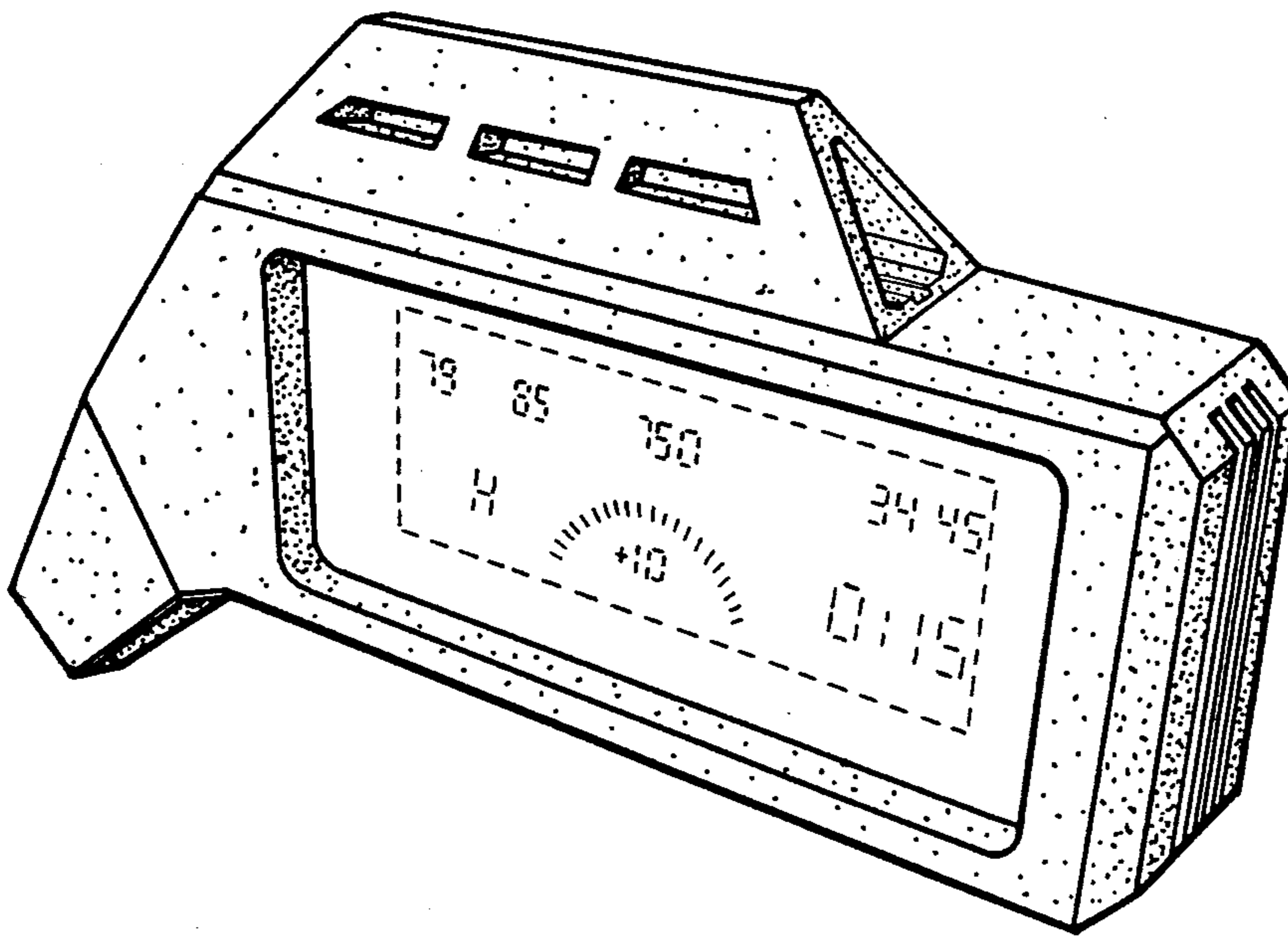


FIG._1.

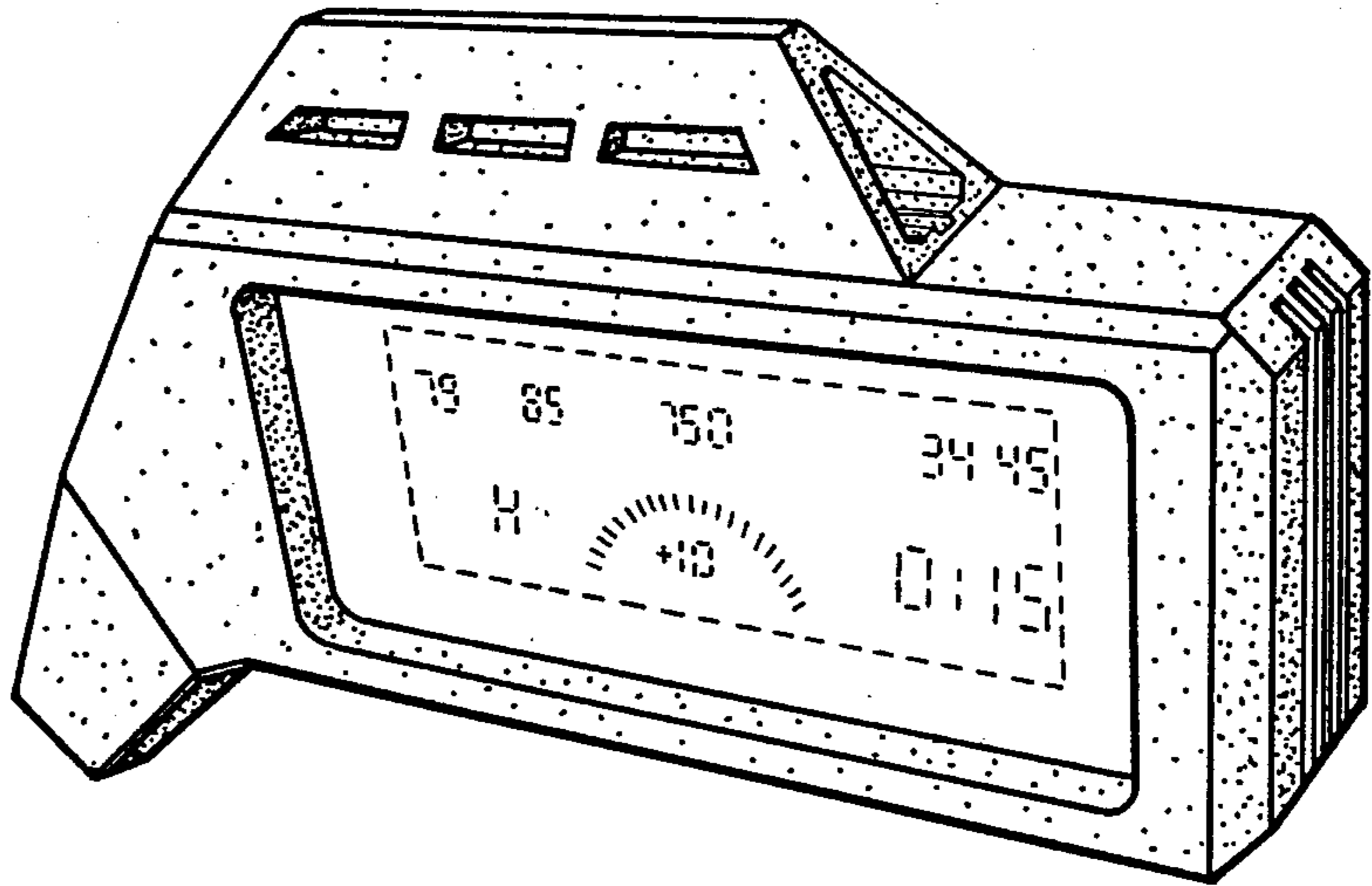


FIG._2.

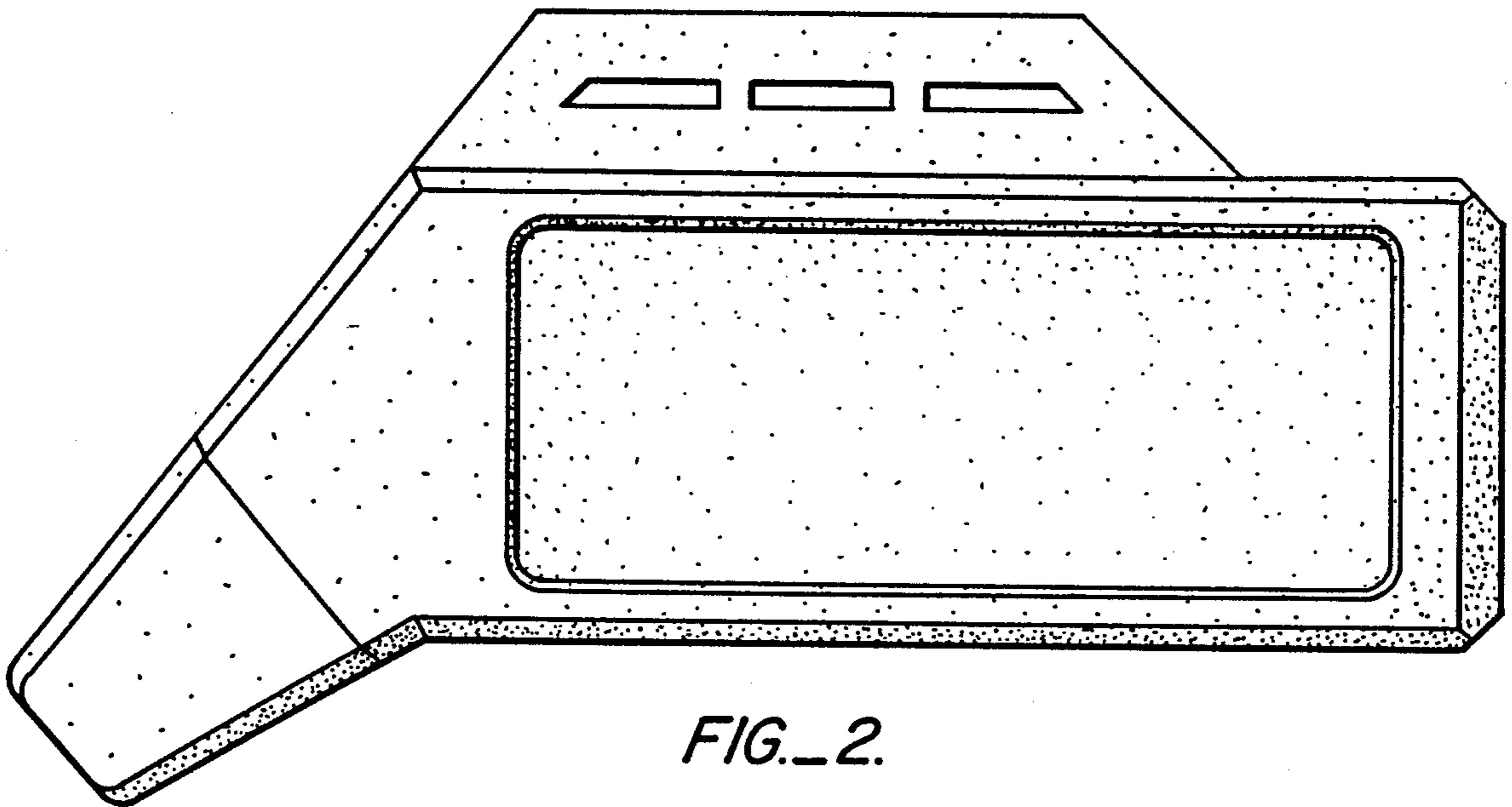


FIG._3.

