

[54] SURVEY RESPONSE TERMINAL

[75] Inventors: Holly Y. Leone; Eli Bleich, both of Santa Monica, Calif.

[73] Assignee: Quick Tally Systems, Beverly Hills, Calif.

[**] Term: 14 Years

[21] Appl. No.: 149,277

[22] Filed: Feb. 11, 1988

[52] U.S. Cl. D14/100; D18/7

[58] Field of Search D14/100-117; D10/46, 61; D18/1, 7, 11, 12; 340/700, 706, 711, 712; 341/22, 23; 200/5 A, 5 R, 6 A, 6 R; 235/145 A, 145 R; 358/249, 254; 364/706-710; 434/322, 327, 353, 350, 323, 336, 344, 346, 347, 352

[56] References Cited

U.S. PATENT DOCUMENTS

D. 237,195 10/1975 Kitai D18/7
3,943,641 3/1976 Dworetzky 434/350
4,004,354 1/1977 Yamauchi 434/336

4,035,933 7/1977 Abe et al. 434/350
4,335,303 6/1982 Call 235/454 X
4,682,958 7/1987 Slavik et al. 434/327 X

Primary Examiner—Susan J. Lucas
Assistant Examiner—Freda S. Nunn
Attorney, Agent, or Firm—Blakely, Sokoloff, Taylor and Zafman

[57] CLAIM

The ornamental design for a survey response terminal, as shown and described.

DESCRIPTION

FIG. 1 is a top, front, right side perspective view of a survey response terminal showing our new design; FIG. 2 is a top plan view thereof; FIG. 3 is a right side elevational view thereof; FIG. 4 is a rear elevational view thereof; FIG. 5 is a front elevational view thereof; FIG. 6 is a left side elevational view thereof; FIG. 7 is a bottom plan view thereof.

The numerals and words are shown on the keys in FIGS. 1 and 2 in broken lines for illustrative purposes only and thus form no part of the claimed design.

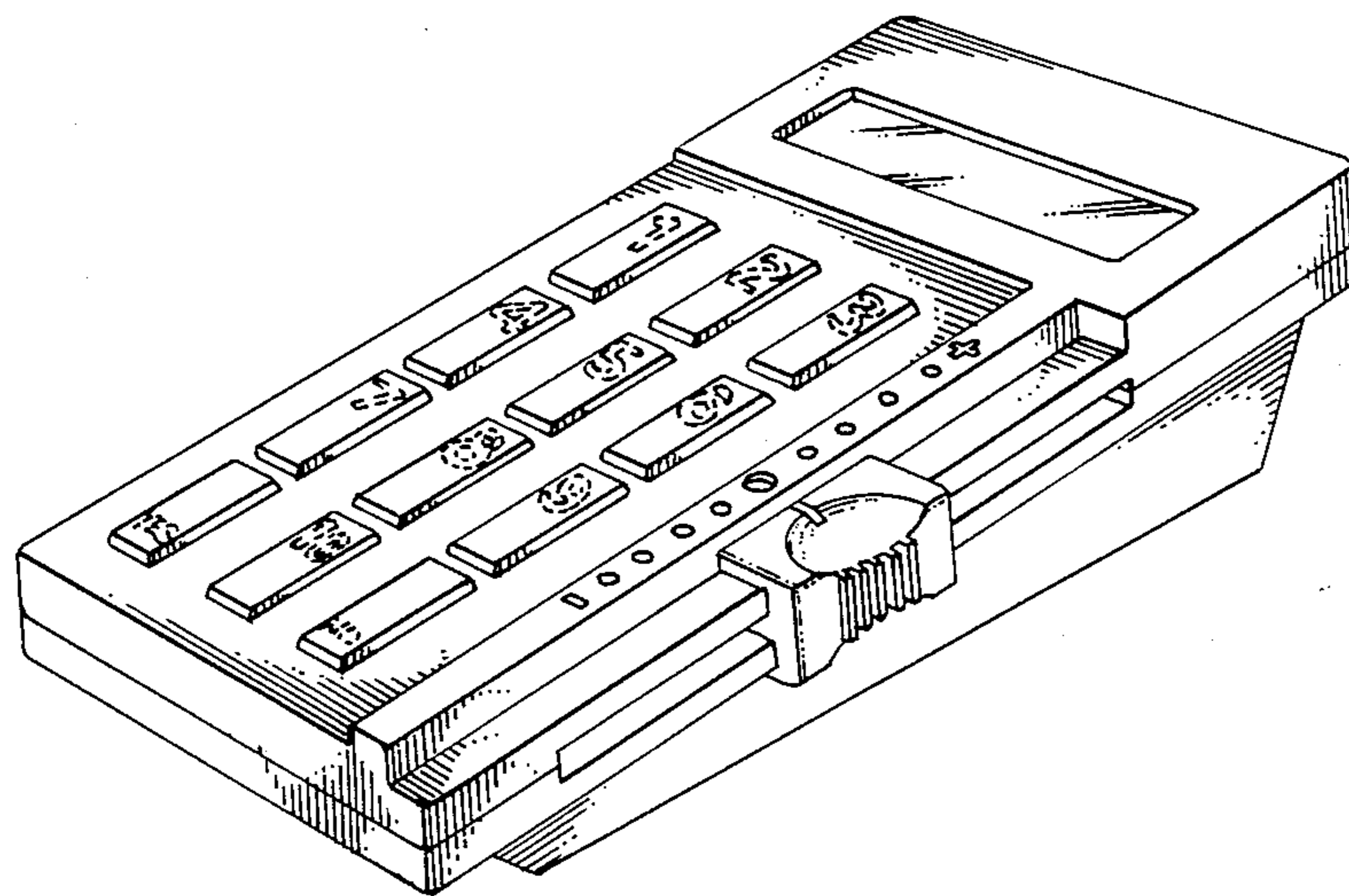


Fig. 1

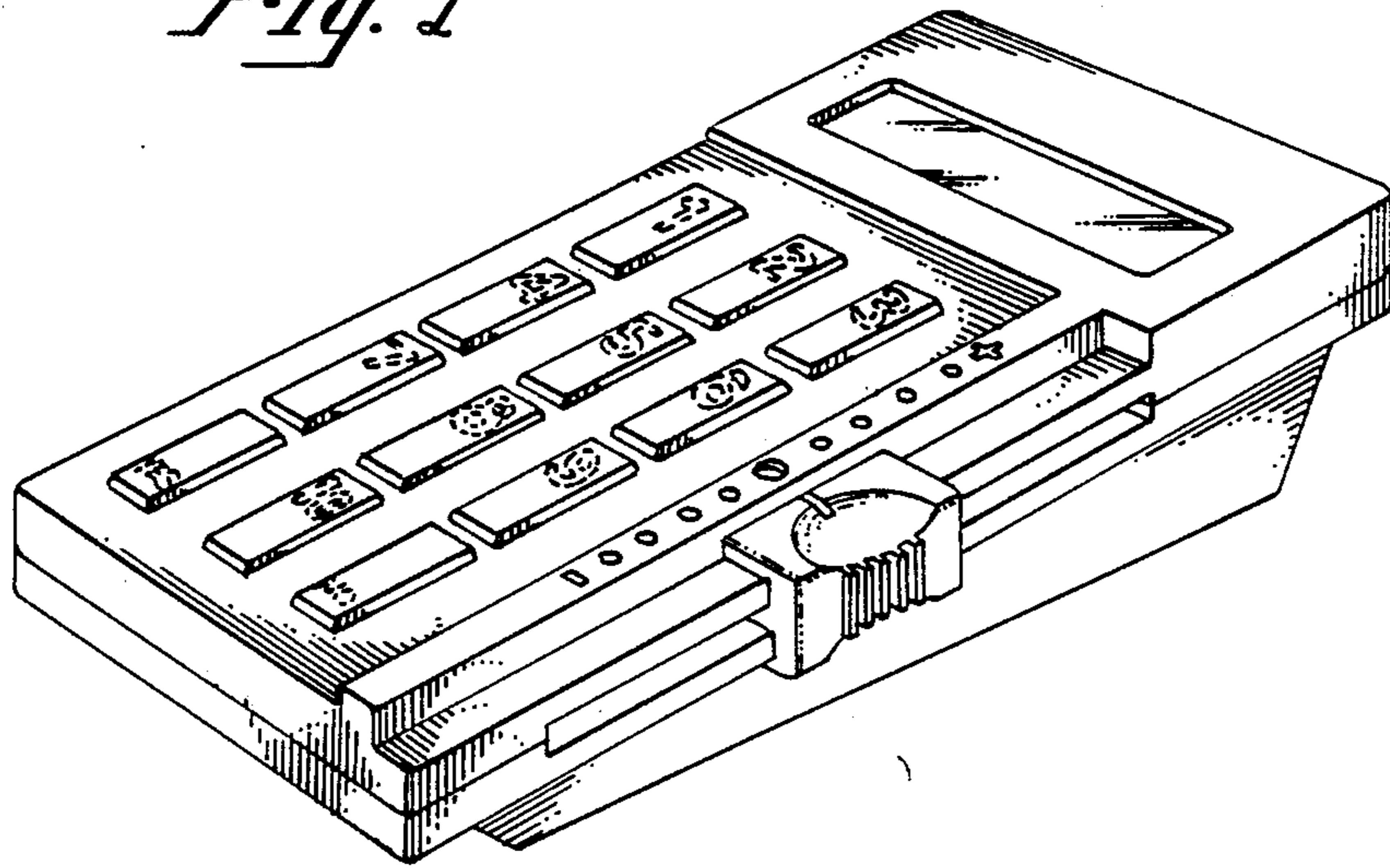


Fig. 2

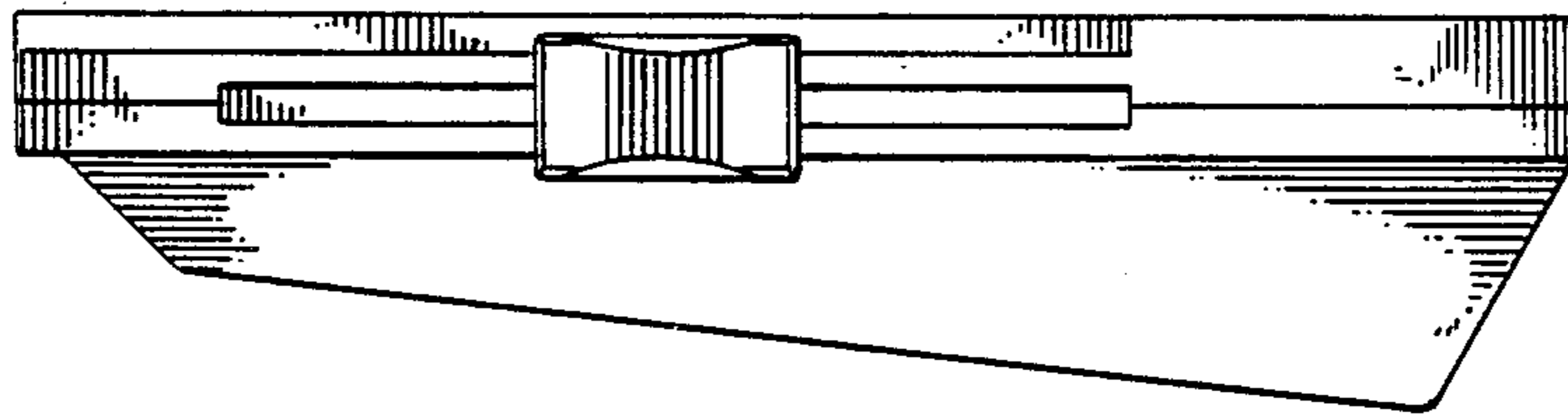
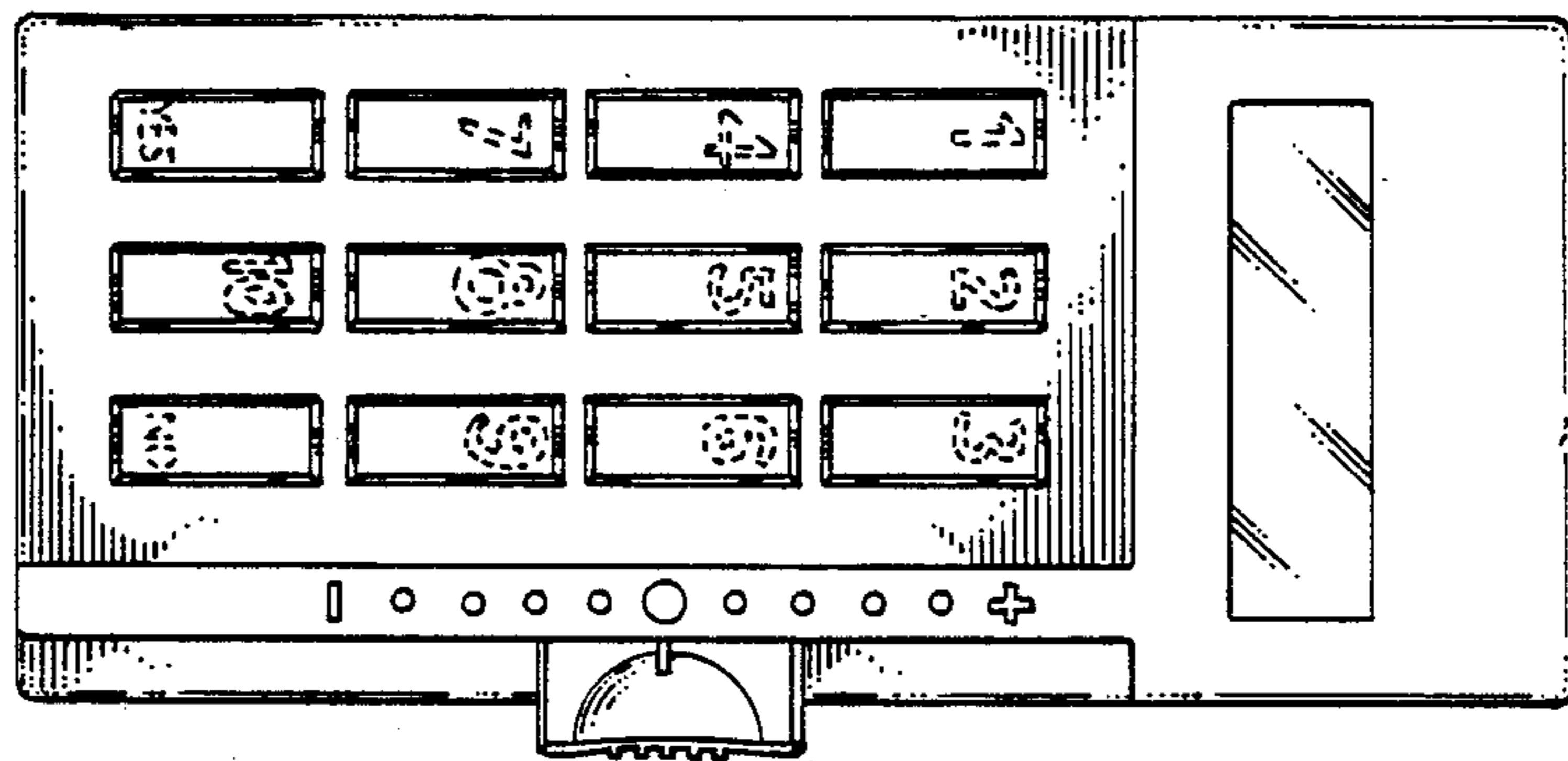


Fig. 3

Fig. 4

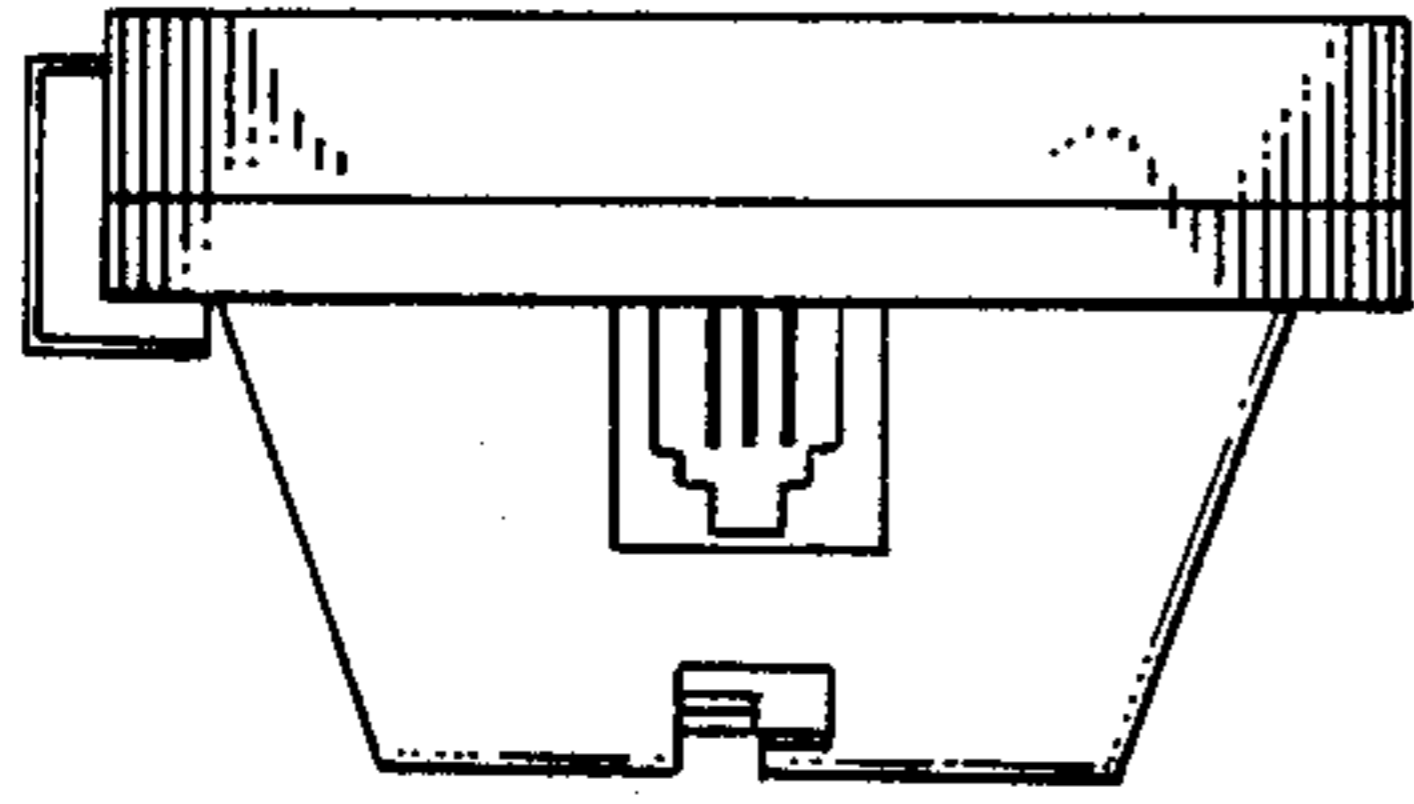


Fig. 5

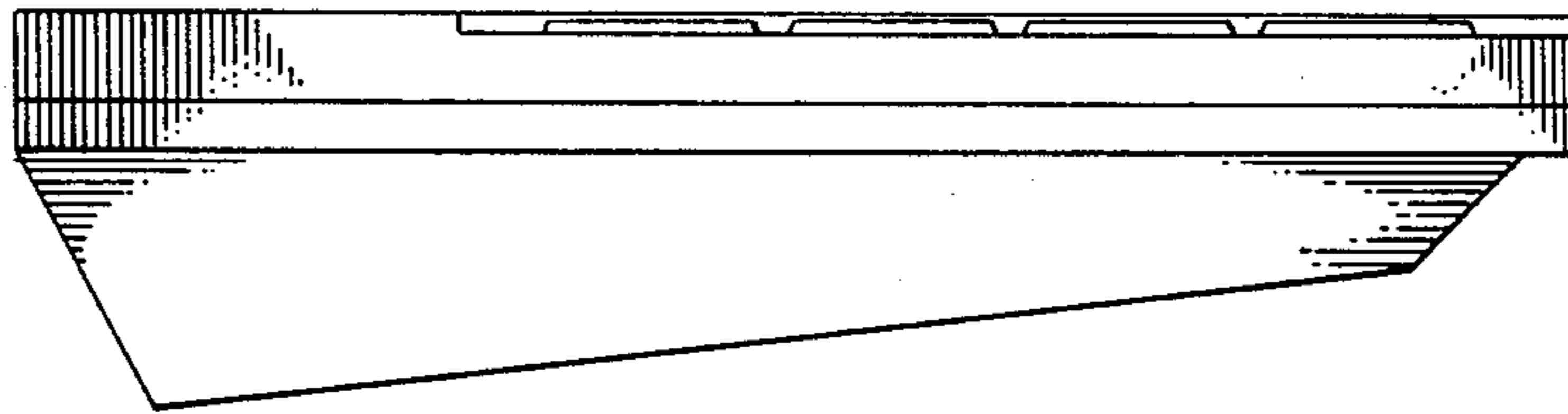
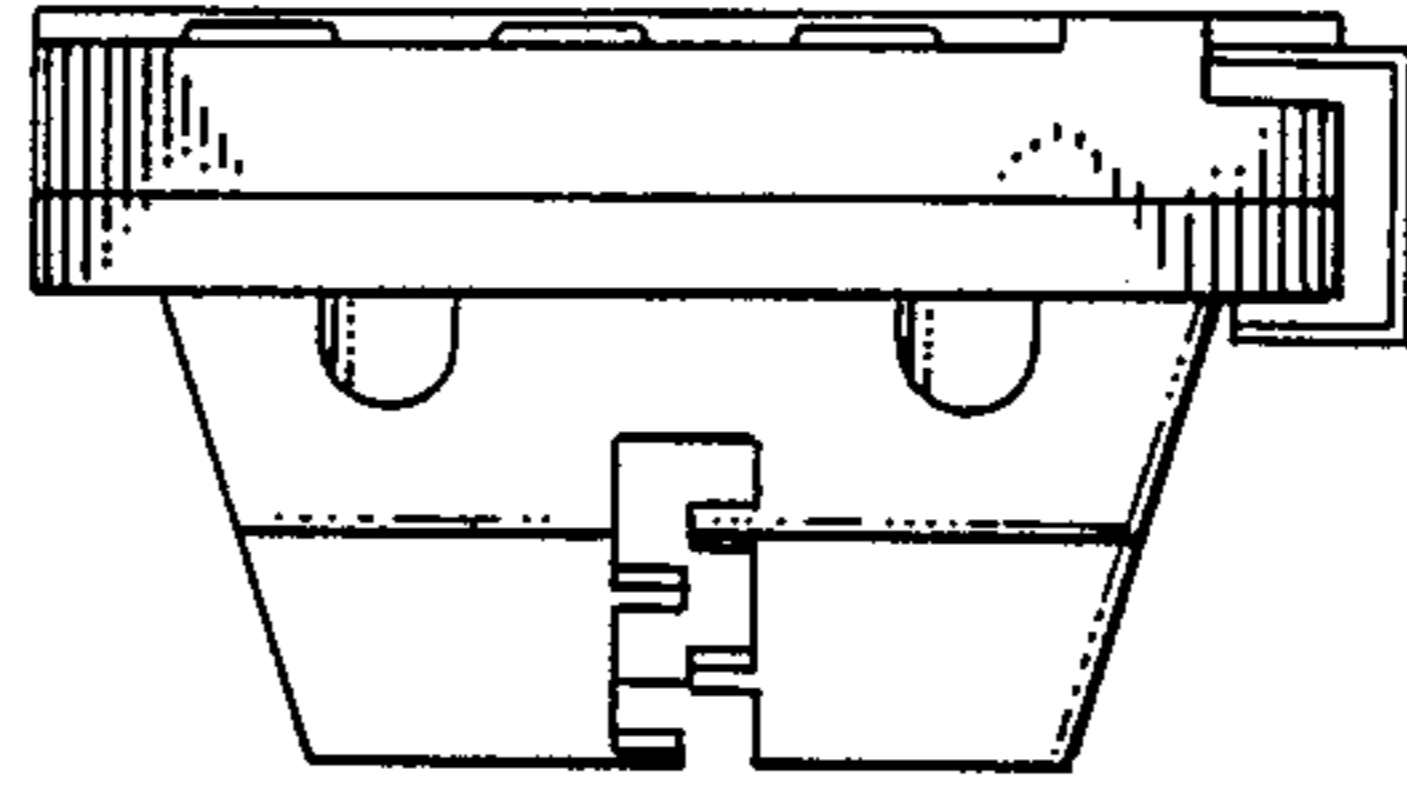


Fig. 6

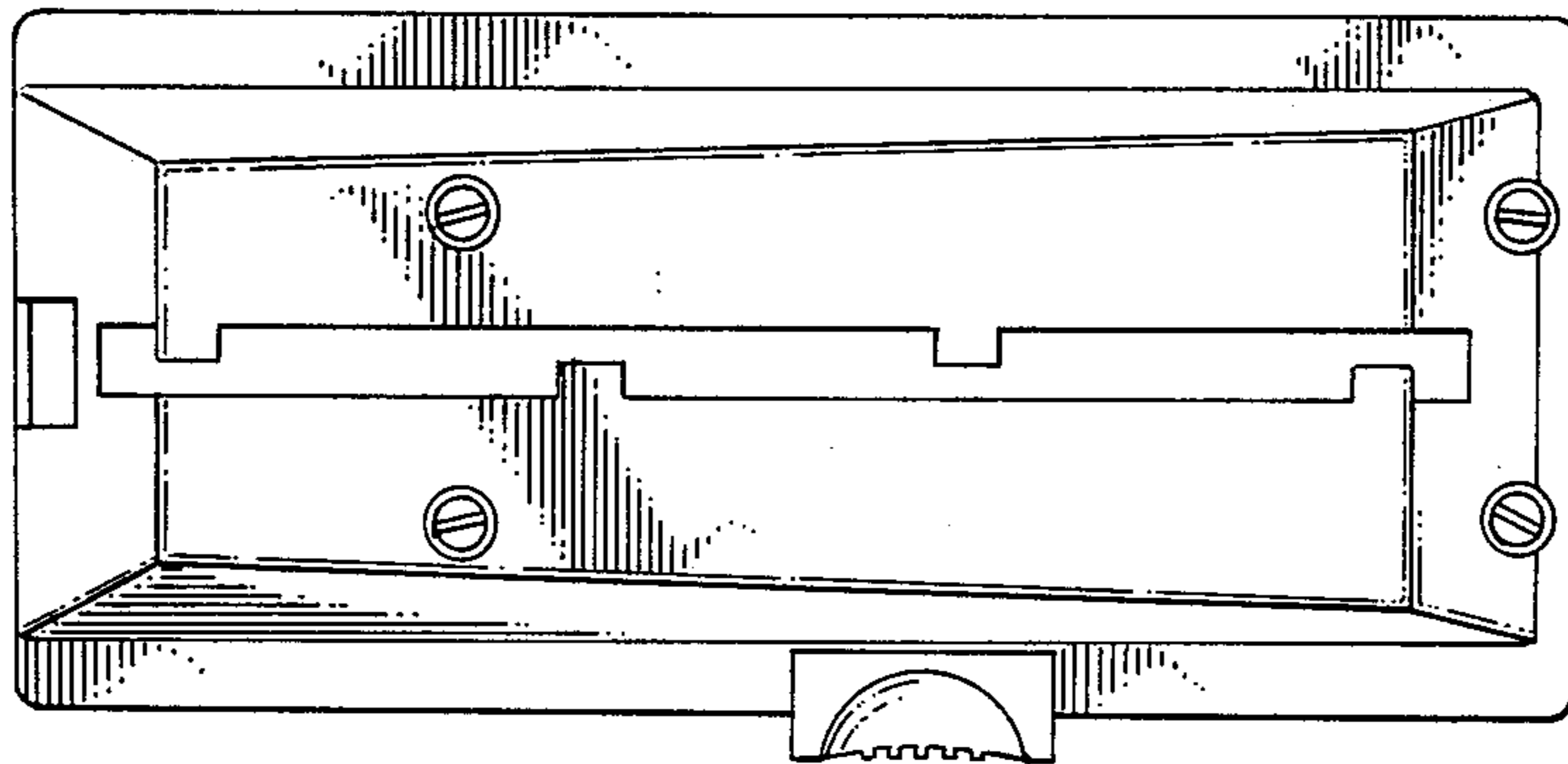


Fig. 7