

[54] COMPUTER DISPLAY WORKSTATION

[75] Inventors: Stanley E. Koprowski, Austin; Tristan A. Merino, Cedar Park; Edward J. Sabella, Georgetown, all of Tex.

[73] Assignee: International Business Machines Corporation, Armonk, N.Y.

[\*\*] Term: 14 Years

[21] Appl. No.: 81,371

[22] Filed: Aug. 3, 1987

[52] U.S. Cl. .... D14/106; D14/113

[58] Field of Search ..... D14/100-117; D13/40, 41; 340/700, 706, 711, 712; 341/22, 23; 358/248, 249, 254; 312/7.2, 208; 248/122, 125, 127, 133, 149, 161, 178, 179, 183, 346, 349, 371

[56] References Cited

U.S. PATENT DOCUMENTS

- D. 277,674 2/1985 Usab et al. .... D14/113
- D. 278,911 5/1985 Ohnuma et al. .... D14/113
- D. 280,199 8/1985 Ryan ..... D14/113
- D. 287,013 12/1986 Satherley ..... D14/109 X
- D. 288,567 3/1987 Moggridge ..... D14/109 X

- D. 295,177 4/1988 Takagi et al. .... D14/106
- 4,708,313 11/1987 Freni, Jr. et al. .... 248/371 X

OTHER PUBLICATIONS

Xerox-Apr. 1985-Cover-Display shown in foreground.

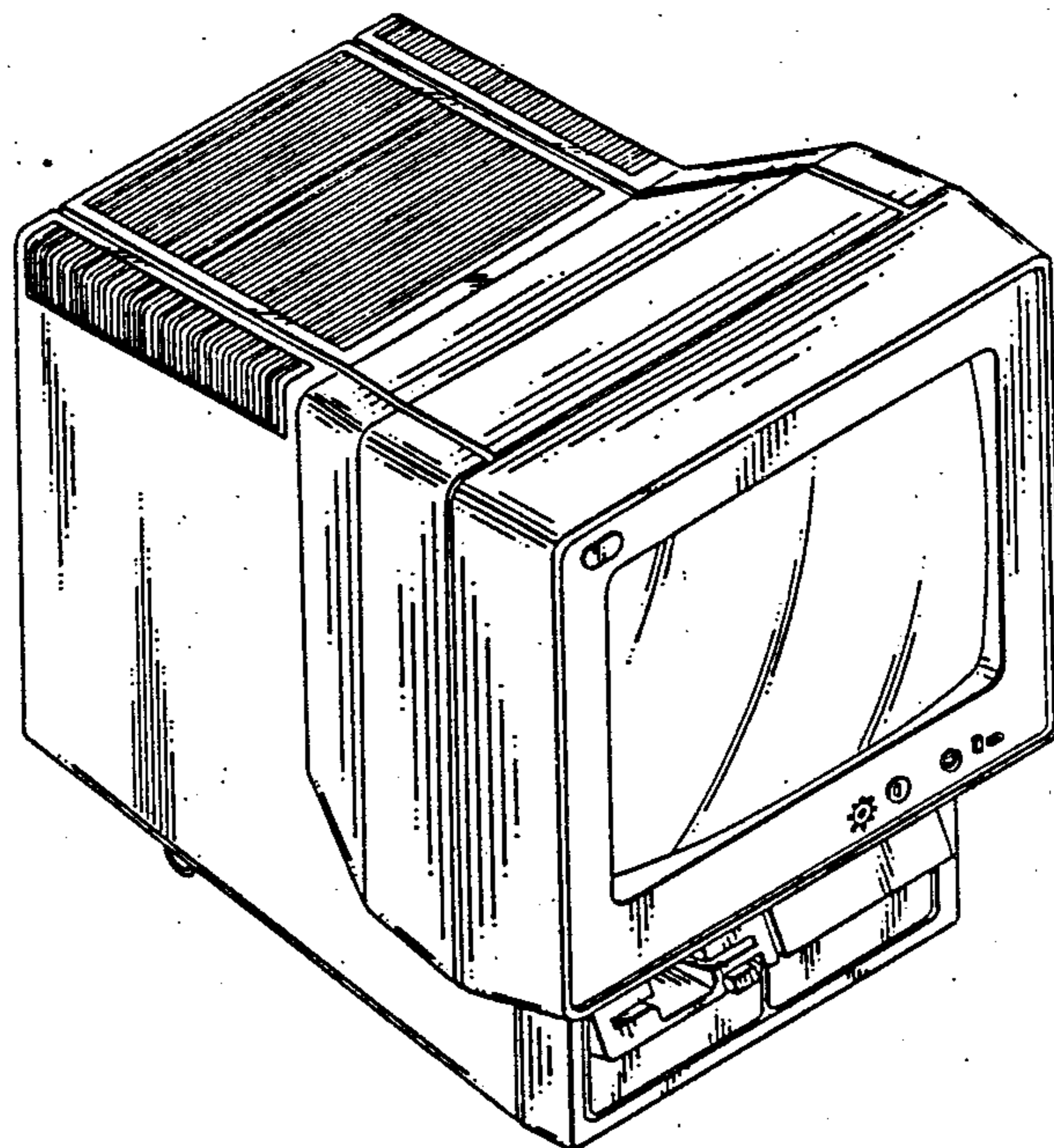
Primary Examiner—Susan J. Lucas  
Assistant Examiner—Freda S. Nunn  
Attorney, Agent, or Firm—Andrea P. Bryant; Casimer K. Salys

[57] CLAIM

The ornamental design for a computer display workstation, as shown and described.

DESCRIPTION

FIG. 1 is a top, front left side perspective view of the computer display workstation showing our new design; FIG. 2 is a front elevation view thereof; FIG. 3 is a top plan view thereof; FIG. 4 is a bottom plan view thereof; FIG. 5 is a left side elevation view thereof, the workstation tilt lever being extended; FIG. 6 is a rear elevation view thereof; and FIG. 7 is a right side elevation view thereof, the workstation tilt lever being extended.



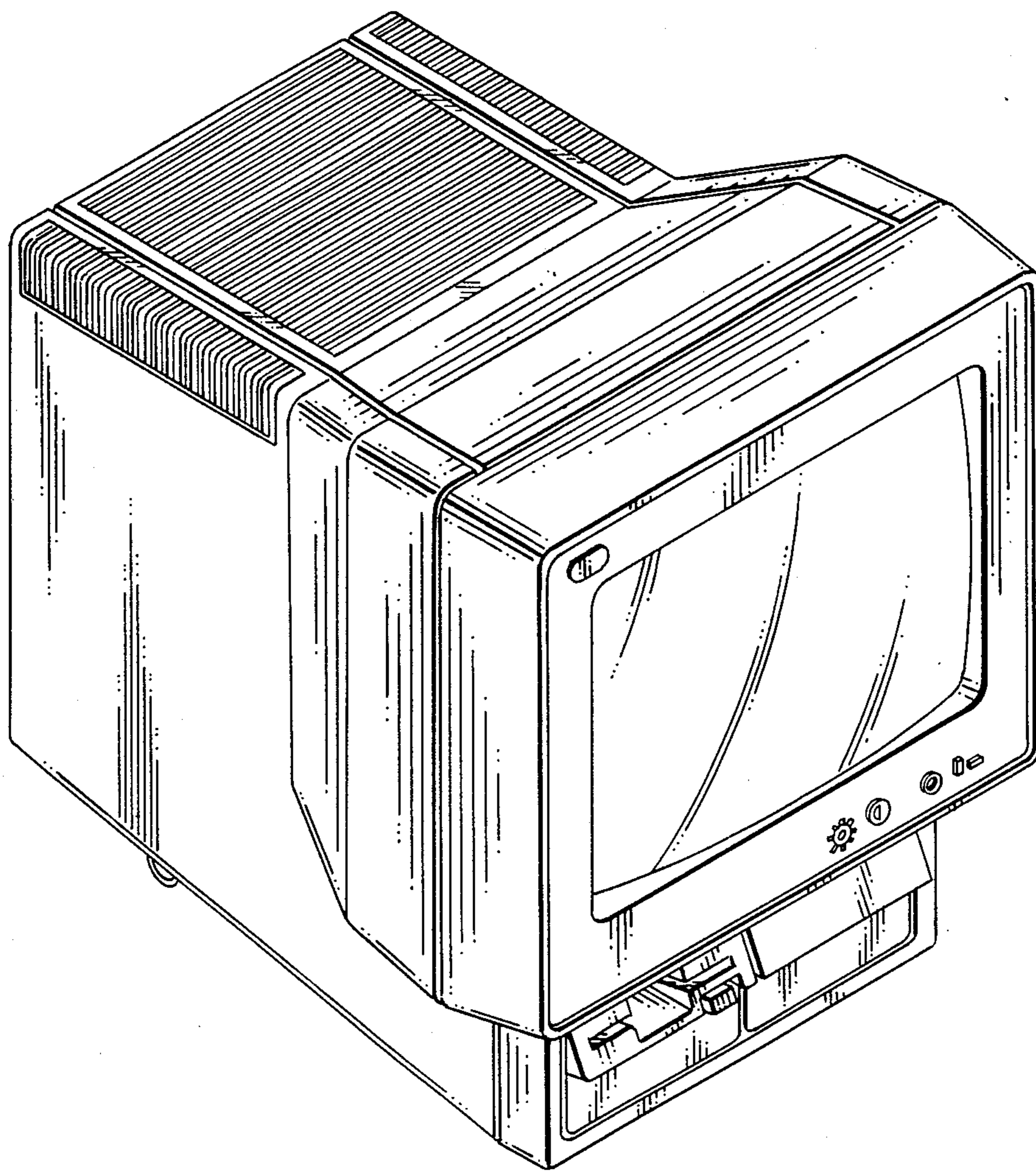


FIG. 1

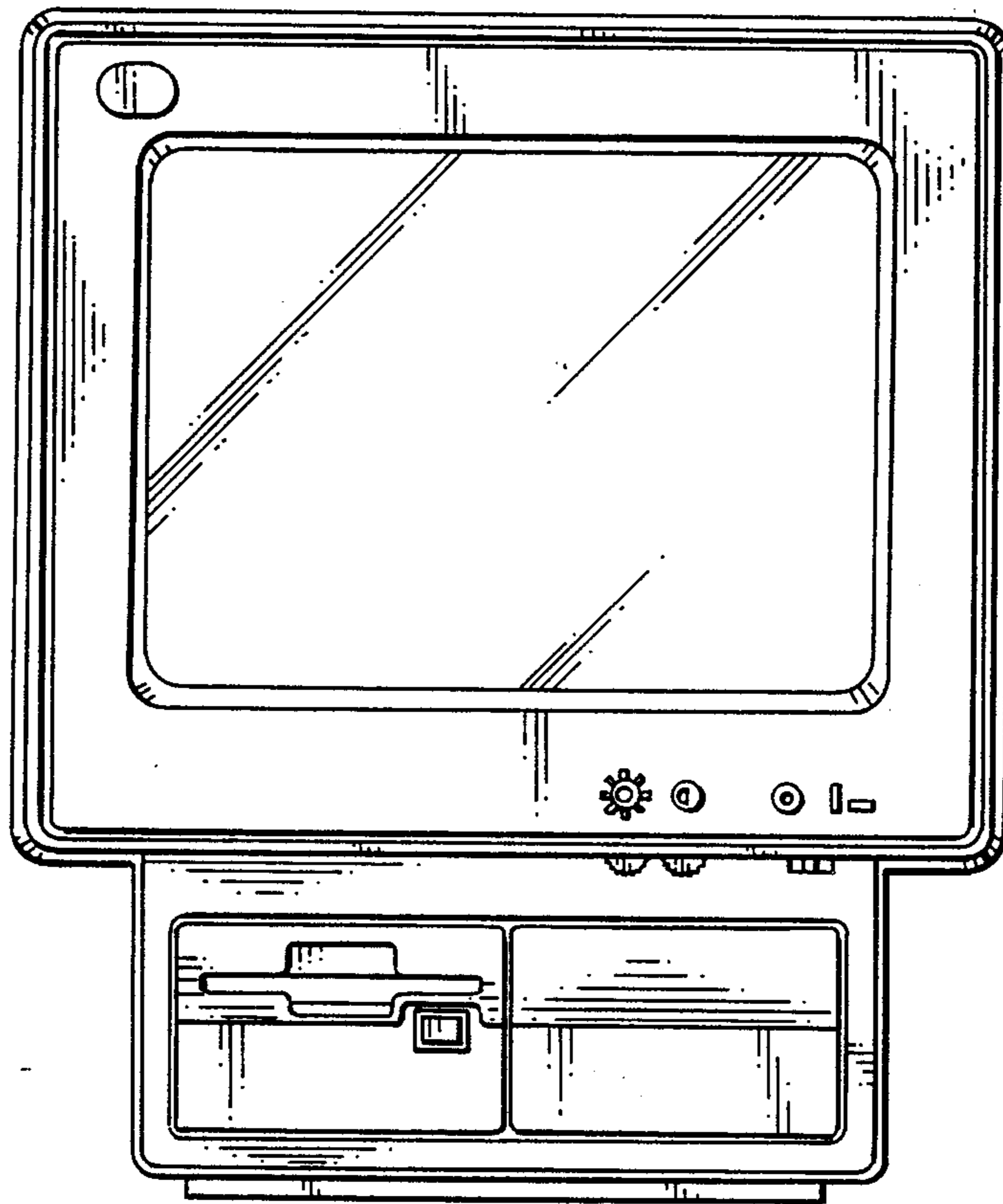


FIG. 2

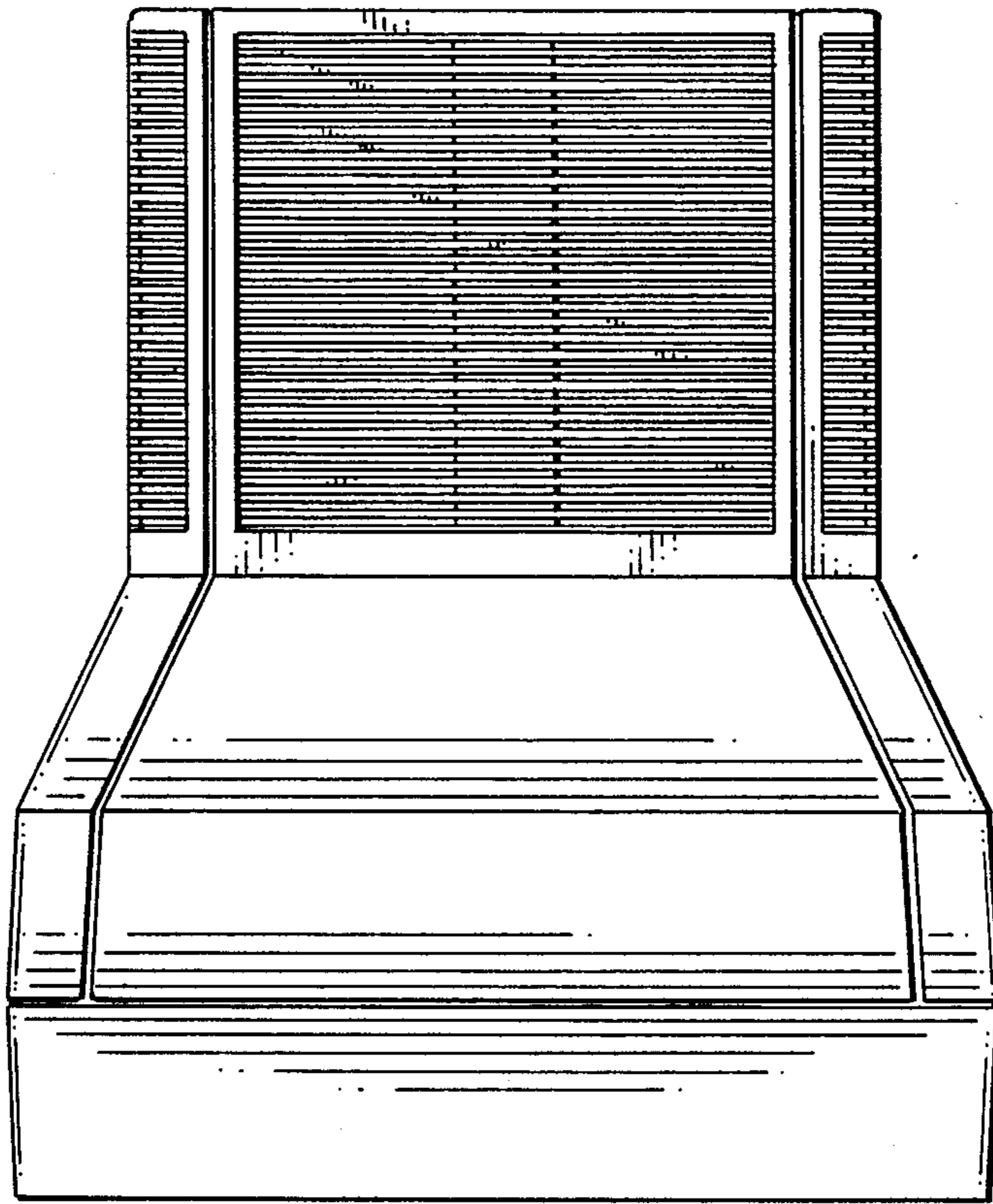


FIG. 3



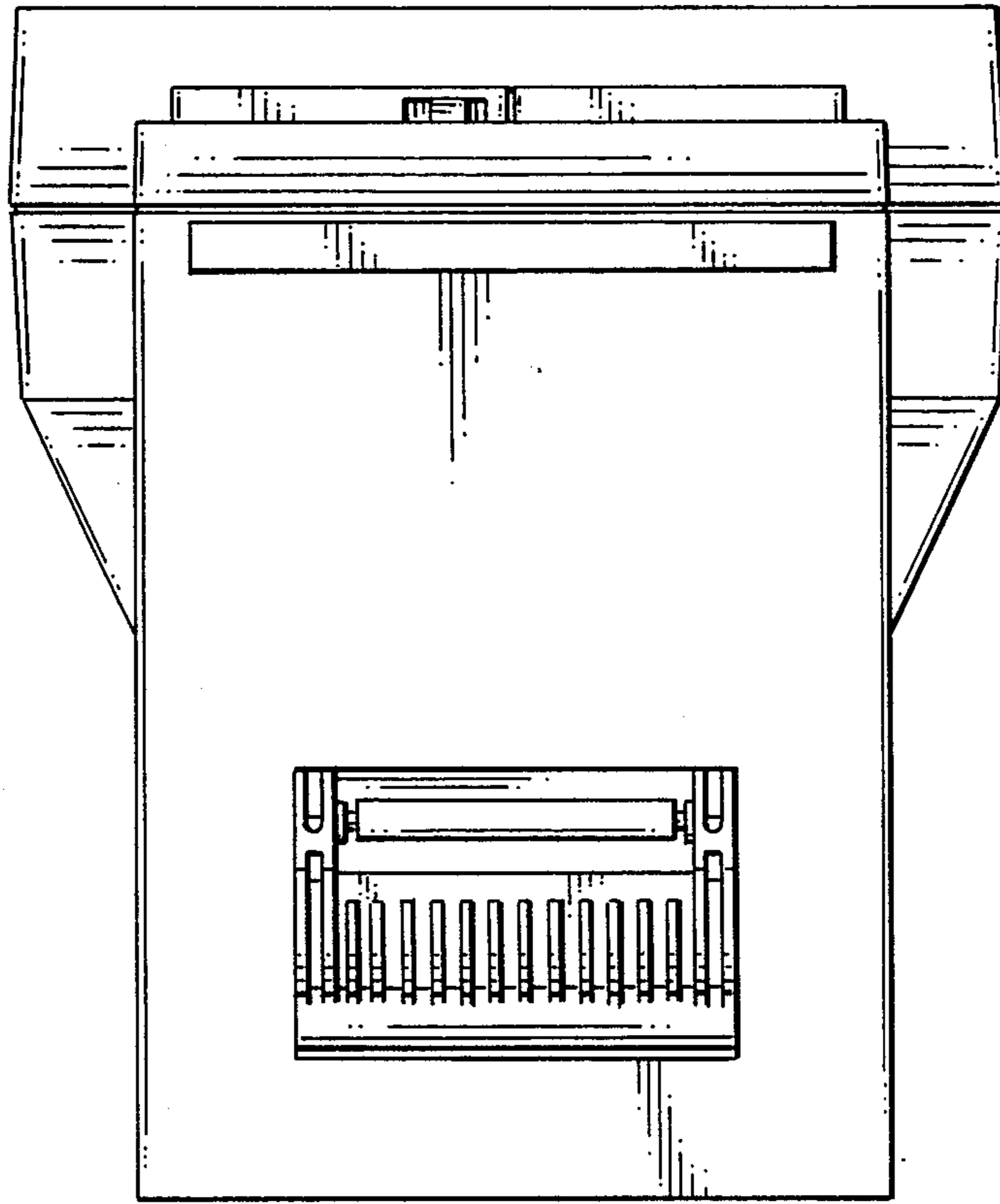


FIG. 4

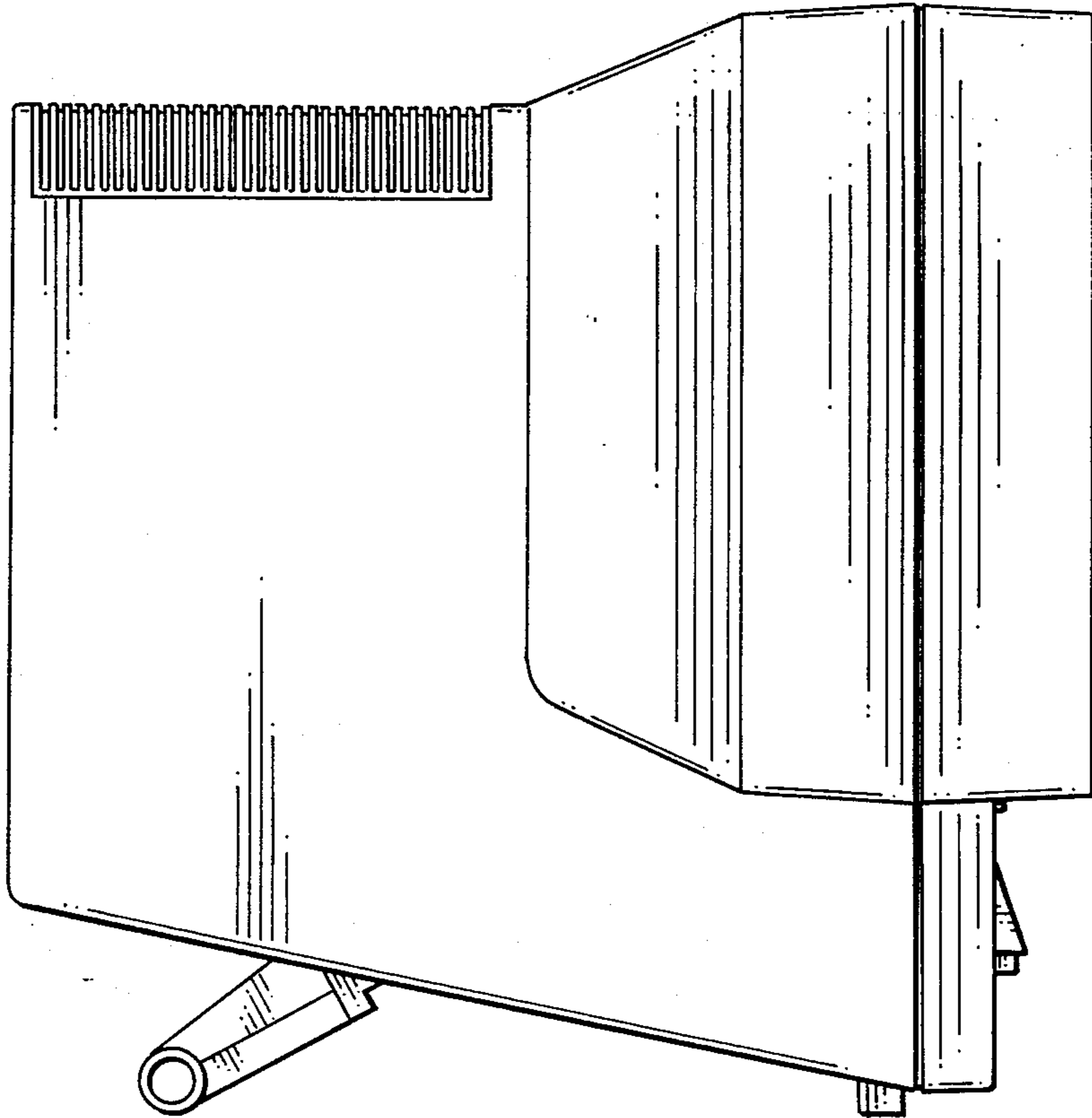


FIG. 5

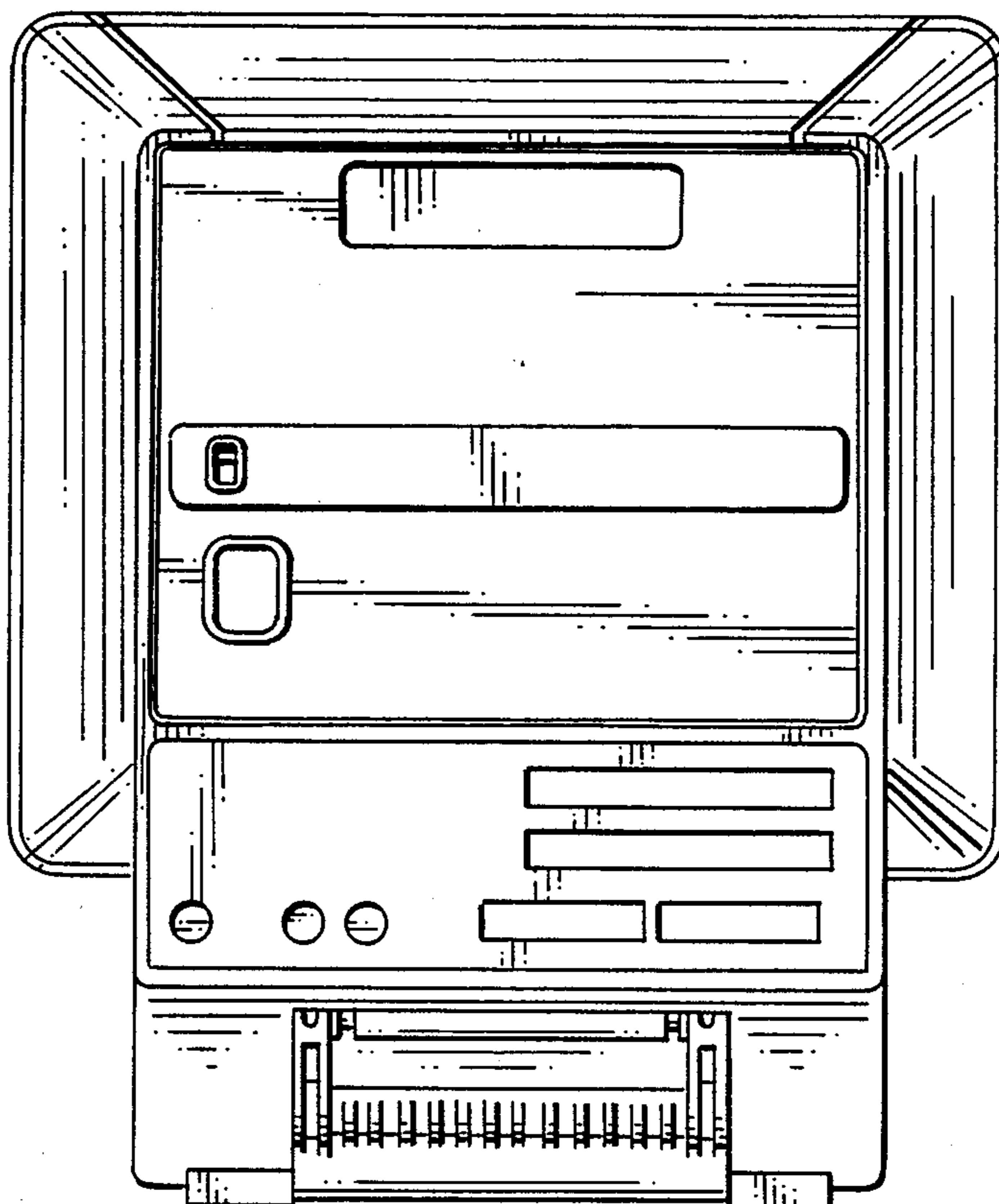


FIG. 6

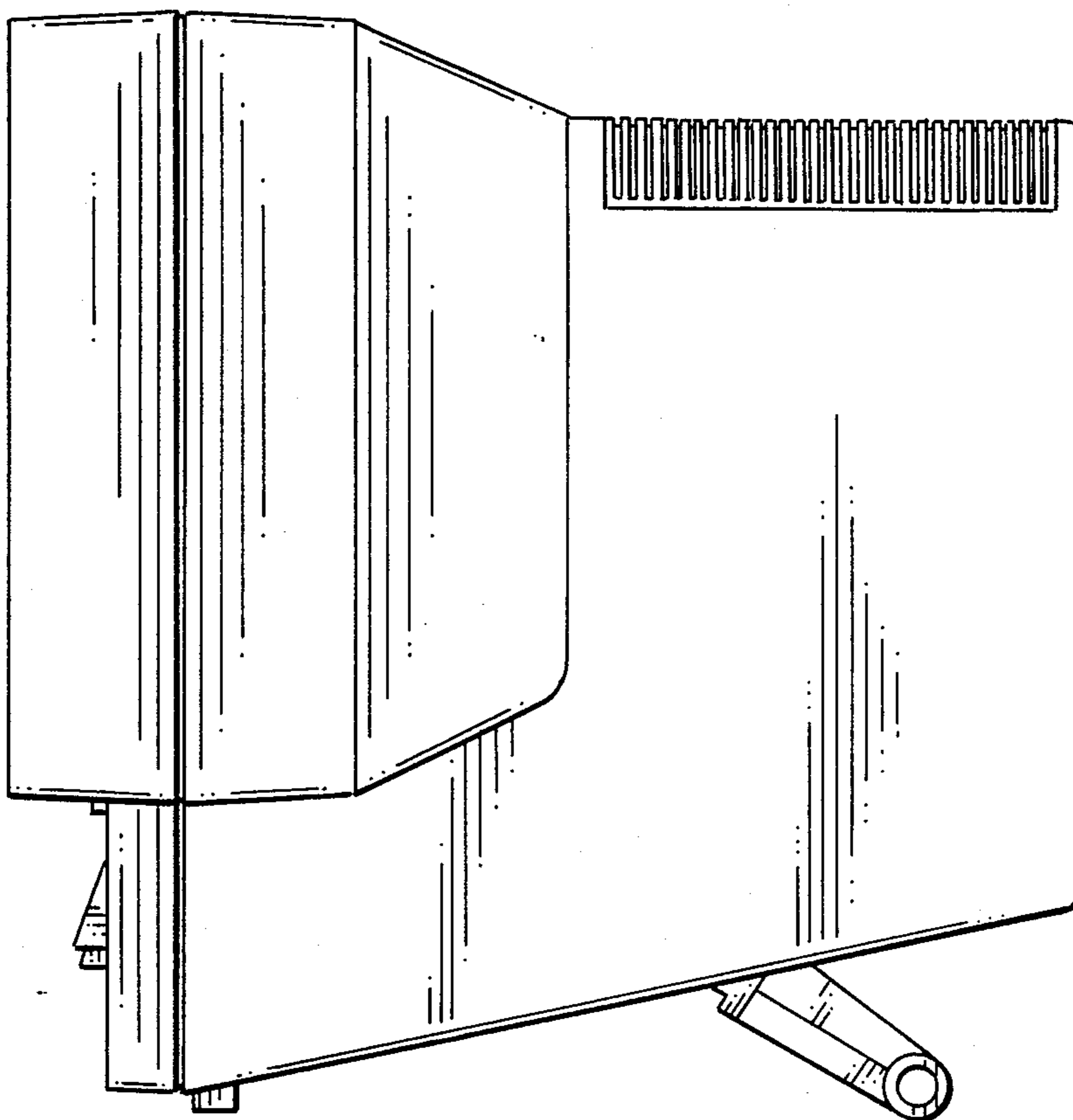


FIG. 7