

[54] LIGHT SOCKET MOUNTED REMOTE CONTROLLED LIGHT SWITCH

[75] Inventor: Willis Cheng, Taipei, Taiwan

[73] Assignee: Woods Far East, Inc., Taiwan

[\*\*] Term: 14 Years

[21] Appl. No.: 216,984

[22] Filed: Jul. 11, 1988

[52] U.S. Cl. .... D13/165; D13/168;  
D13/134

[58] Field of Search ..... D13/25, 32, 99, 134,  
D13/158, 199; D10/104, 106; 200/DIG. 36;  
315/149, 159; 439/245

[56] References Cited

U.S. PATENT DOCUMENTS

D. 193,710	10/1962	Selick	.....	D13/32
D. 217,466	5/1970	Garrett	.....	D13/25
2,449,029	9/1948	Wean et al.	.....	336/107 X
3,496,422	2/1970	Horowitz	.....	336/107 X
4,443,778	4/1984	Mewissen	.....	336/107 X

OTHER PUBLICATIONS

Automatic Switch Bulb Socket, and AC Xenon Strobe on p. 201 of *Hong Kong Enterprises*, 1-1985.

Primary Examiner—Susan J. Lucas  
Assistant Examiner—Joel Sincavage  
Attorney, Agent, or Firm—Woodard, Emhardt, Naughton, Moriarty & McNett

[57] CLAIM

The ornamental design for a light socket mounted remote controlled light switch, as shown and described.

DESCRIPTION

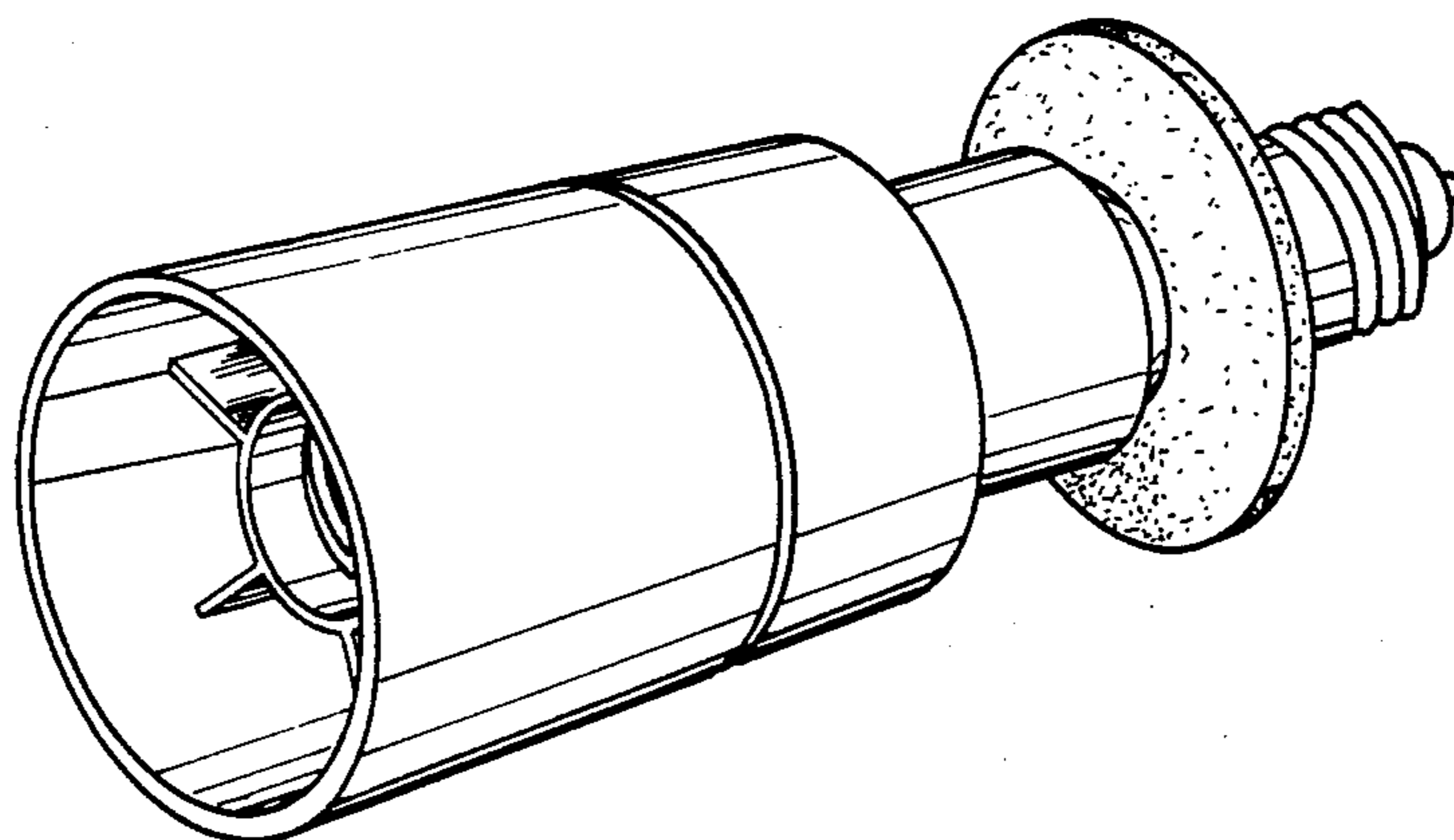
FIG. 1 is a front elevational view of a light socket mounted remote controlled light switch showing my new design, the rear elevational view being a mirror image.

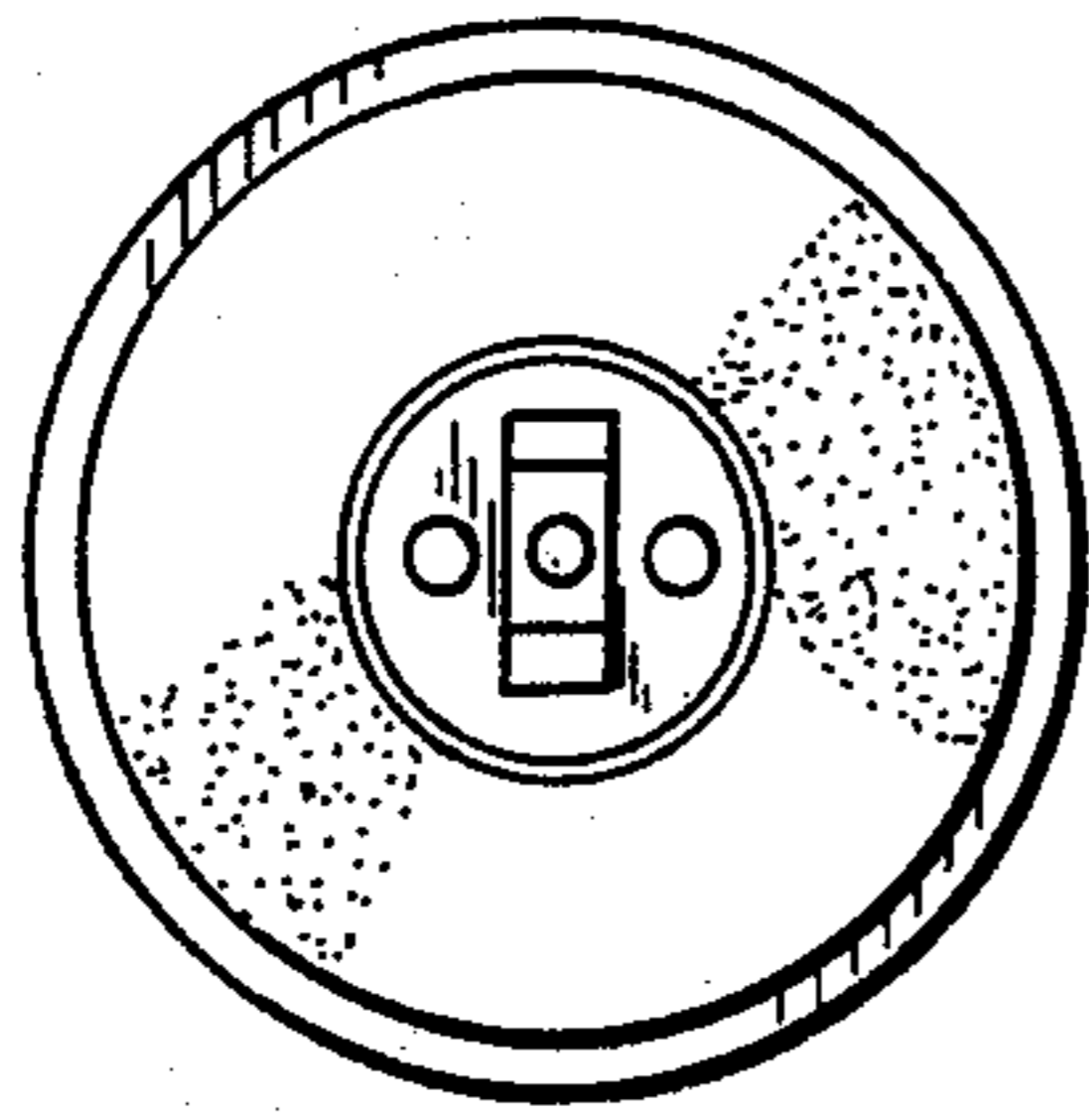
FIG. 2 is a right side elevational view thereof, the left side elevational view being a mirror image.

FIG. 3 is a top plan view thereof.

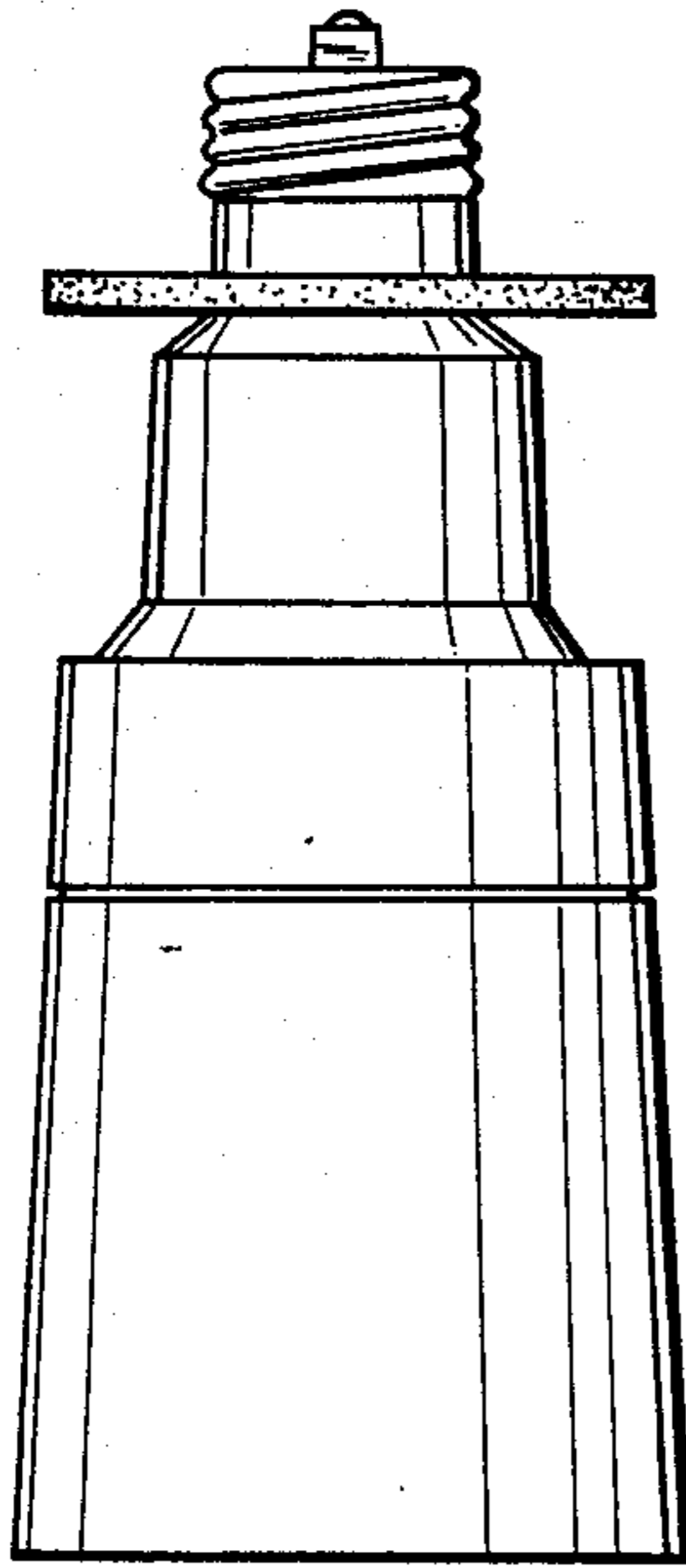
FIG. 4 is a bottom plan view thereof.

FIG. 5 is a perspective view thereof.

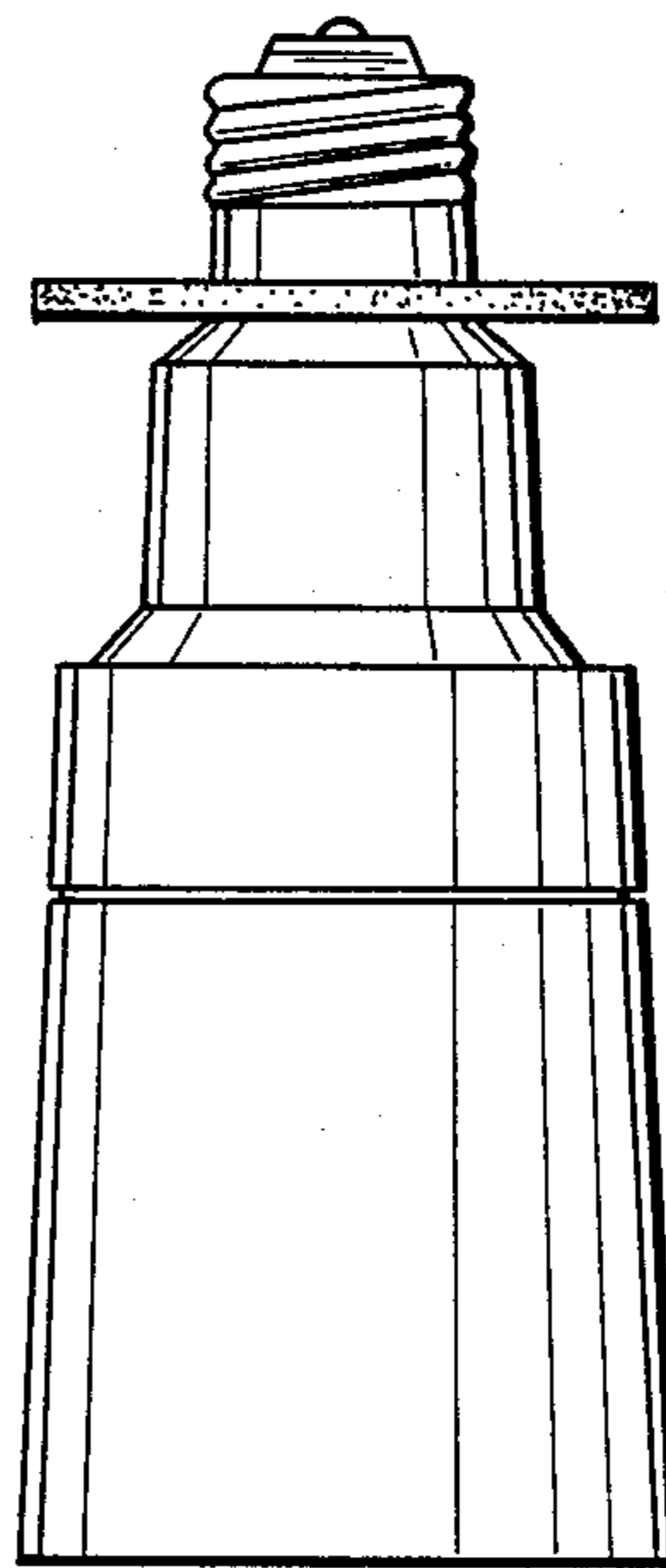




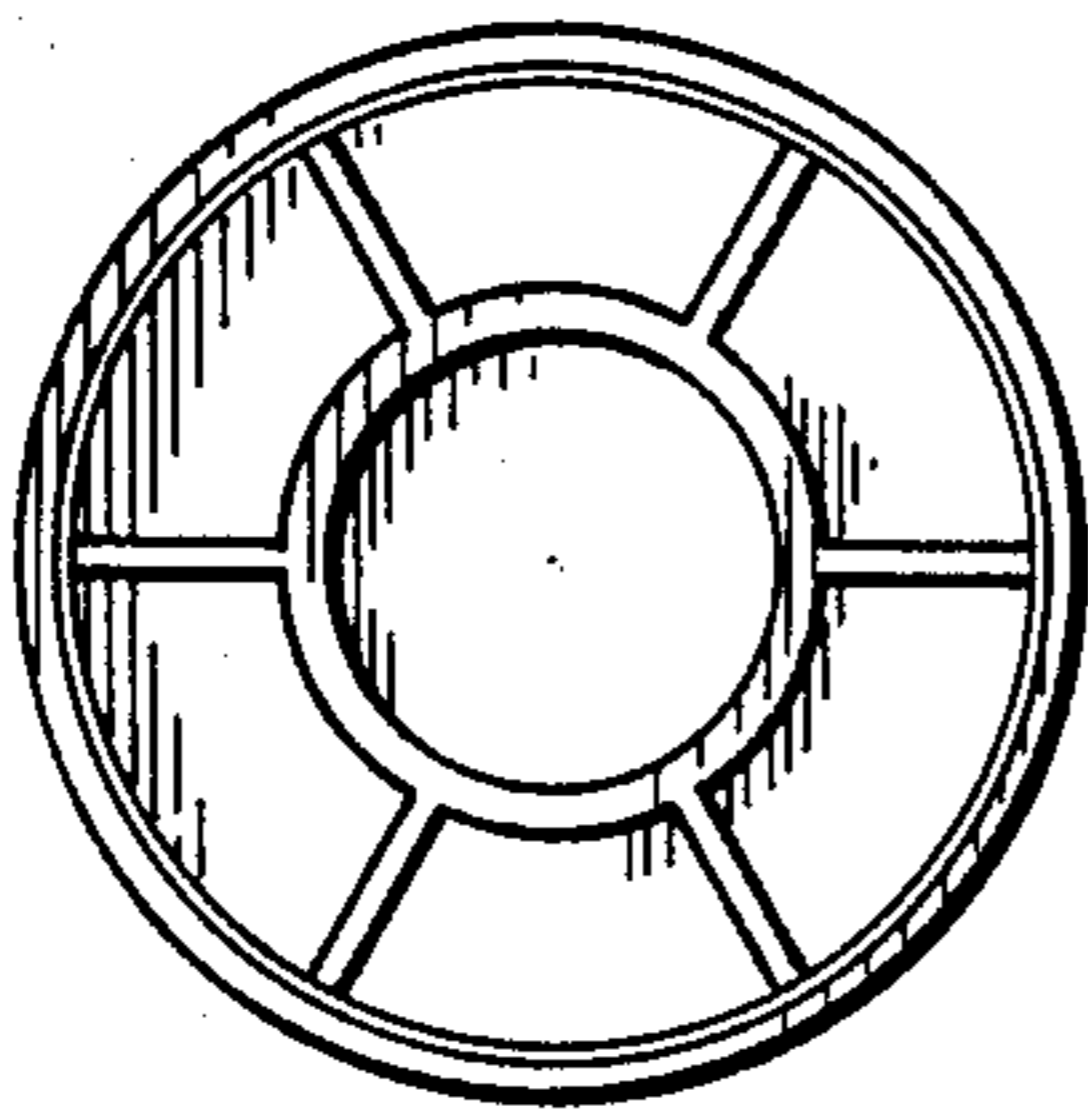
**Fig. 3**



**Fig. 1**



**Fig. 2**



**Fig. 4**

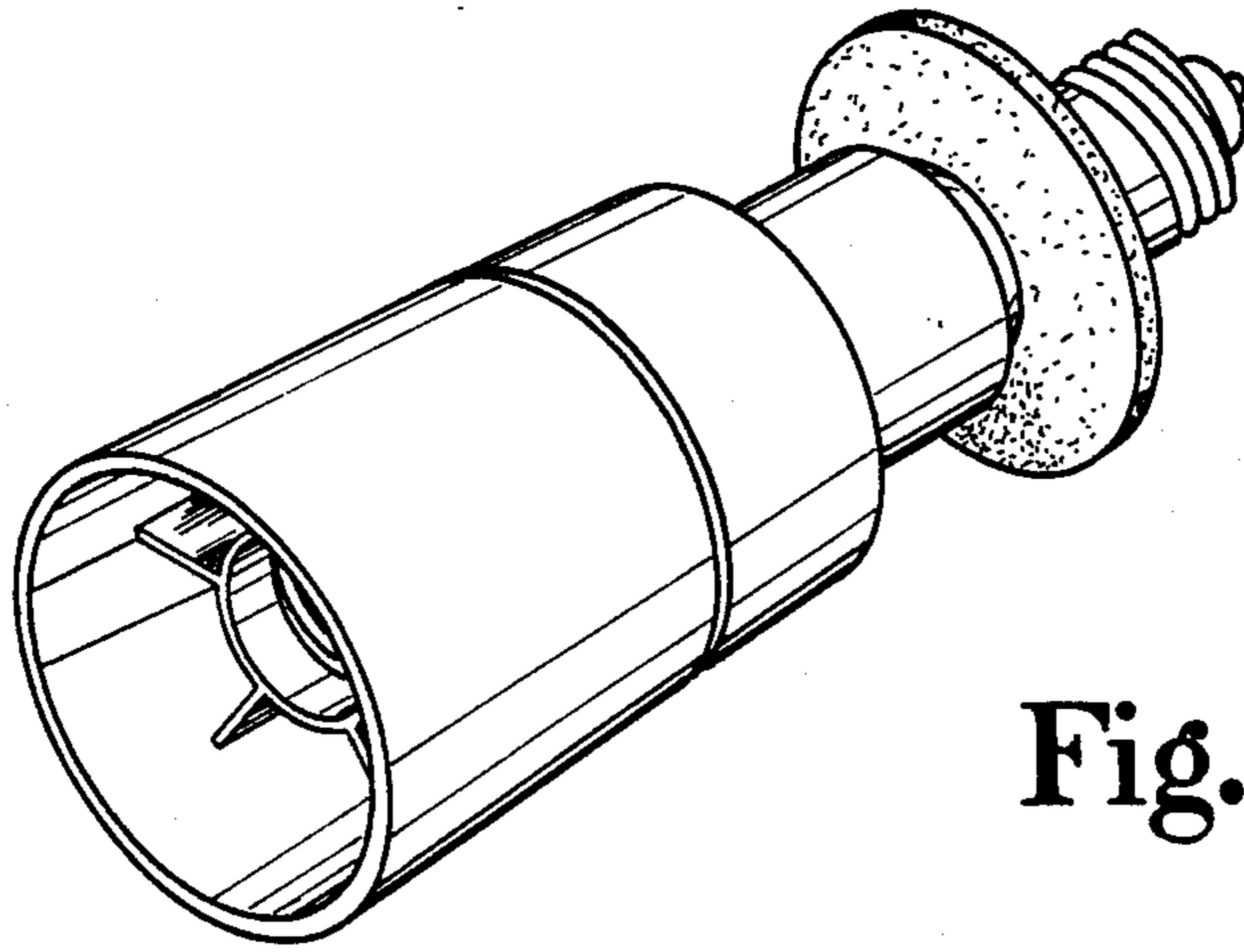


Fig. 5