

[54] **LIGHT SOCKET MOUNTED REMOTELY CONTROLLED LIGHT SWITCH**

[75] **Inventor: Willis Cheng, Taipei, Taiwan**

[73] **Assignee: Woods Far East, Inc., Taiwan**

[\*\*] **Term: 14 Years**

[21] **Appl. No.: 216,975**

[22] **Filed: Jul. 11, 1988**

[52] **U.S. Cl. .... D13/165; D13/151**

[58] **Field of Search ..... D13/25, 32, 99, 134, D13/151, 158, 165, 194; D10/104, 106; 200/DIG. 36; 315/149, 159; 439/245**

[56] **References Cited**

**U.S. PATENT DOCUMENTS**

D. 246,958 1/1978 Rakocy et al. .... D10/106  
D. 296,549 7/1988 Fenne ..... D13/25

**OTHER PUBLICATIONS**

Socket Dimmer on p. 26, Haverhills' Fall 1988 Catalog.

*Primary Examiner*—Susan J. Lucas  
*Assistant Examiner*—Joel Sincavage  
*Attorney, Agent, or Firm*—Woodard, Emhardt, Naughton, Moriarty & McNett

[57] **CLAIM**

The ornamental design for a light socket mounted remotely controlled light switch, as shown and described.

**DESCRIPTION**

FIG. 1 is a front elevational view of a light-socket-mounted, remotely controlled light switch showing my new design, the rear elevational view being a mirror image.

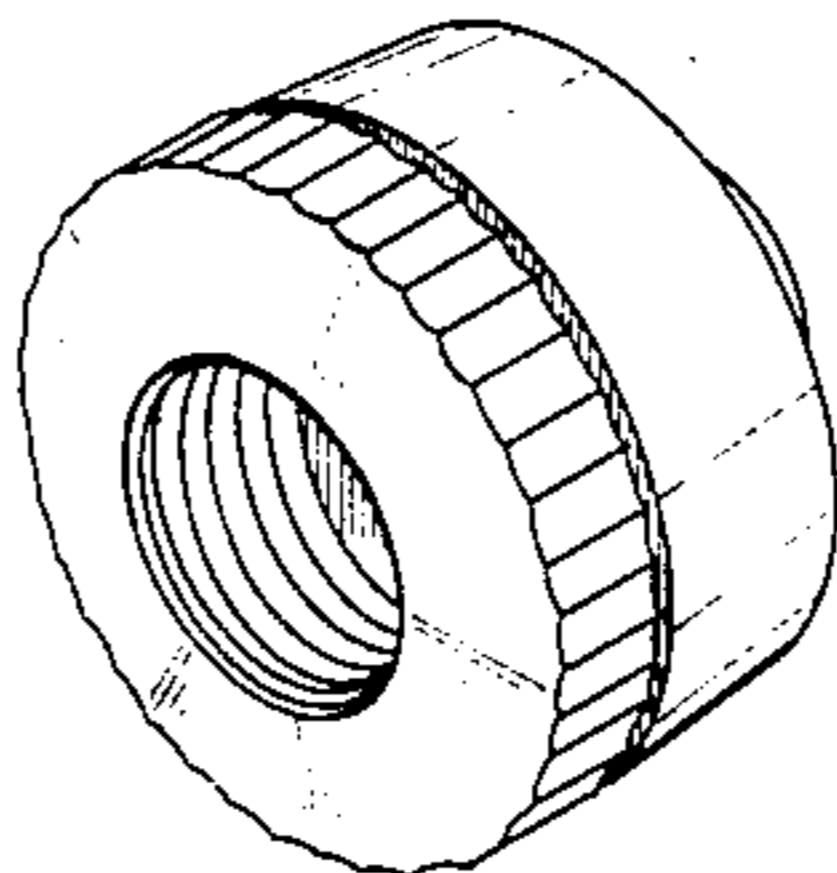
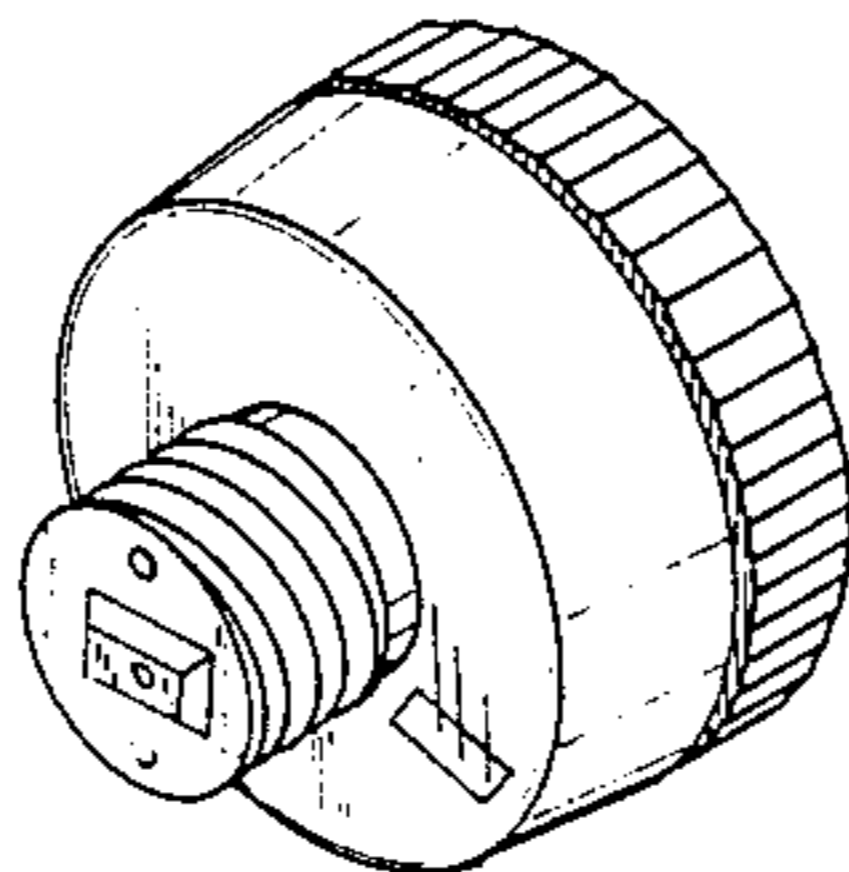
FIG. 2 is a right side elevational view thereof.

FIG. 3 is a top plan view thereof.

FIG. 4 is a bottom plan view thereof.

FIG. 5 is a top perspective view thereof.

FIG. 6 is a bottom perspective view thereof.



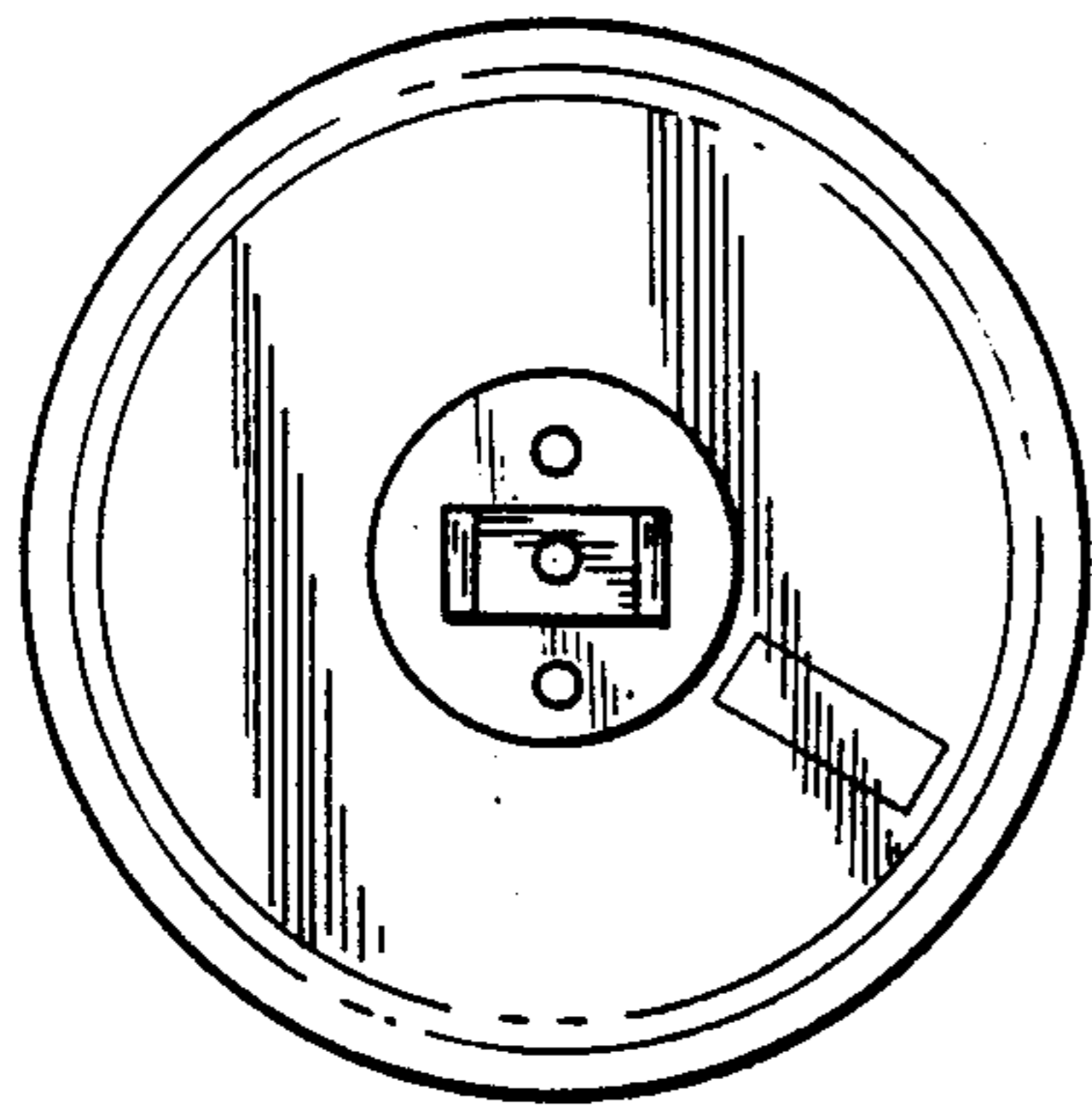


Fig.3

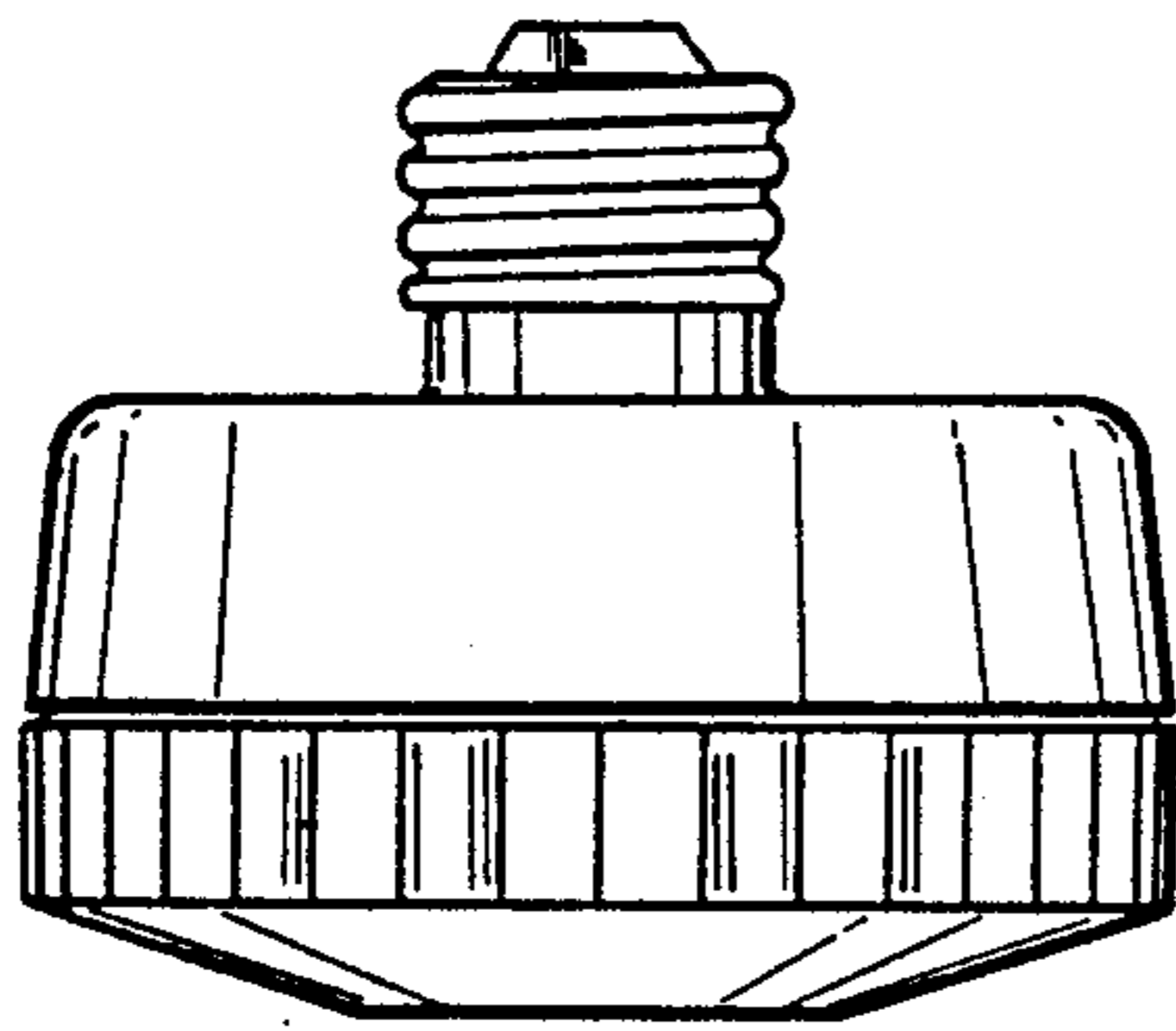


Fig.1

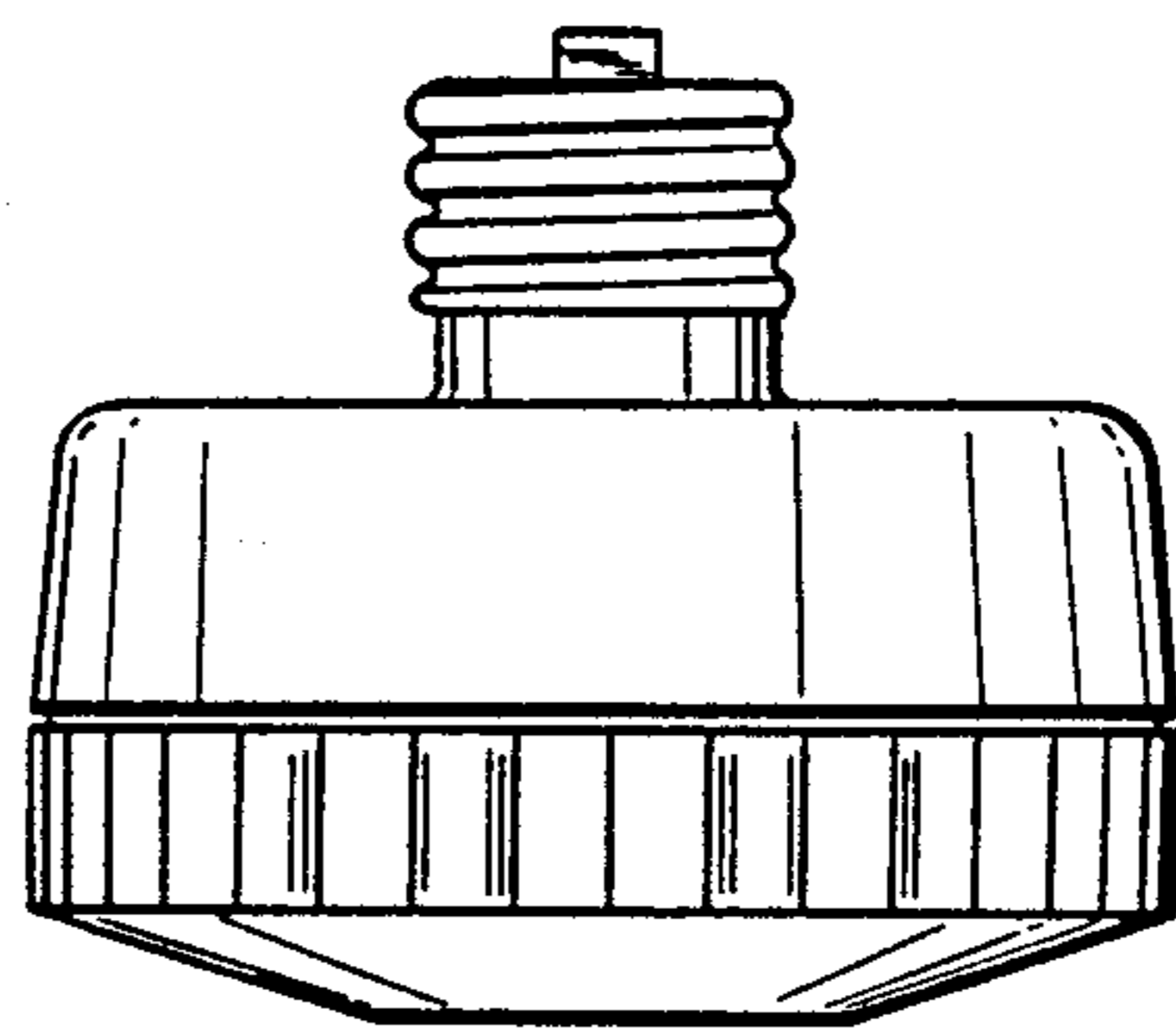


Fig.2

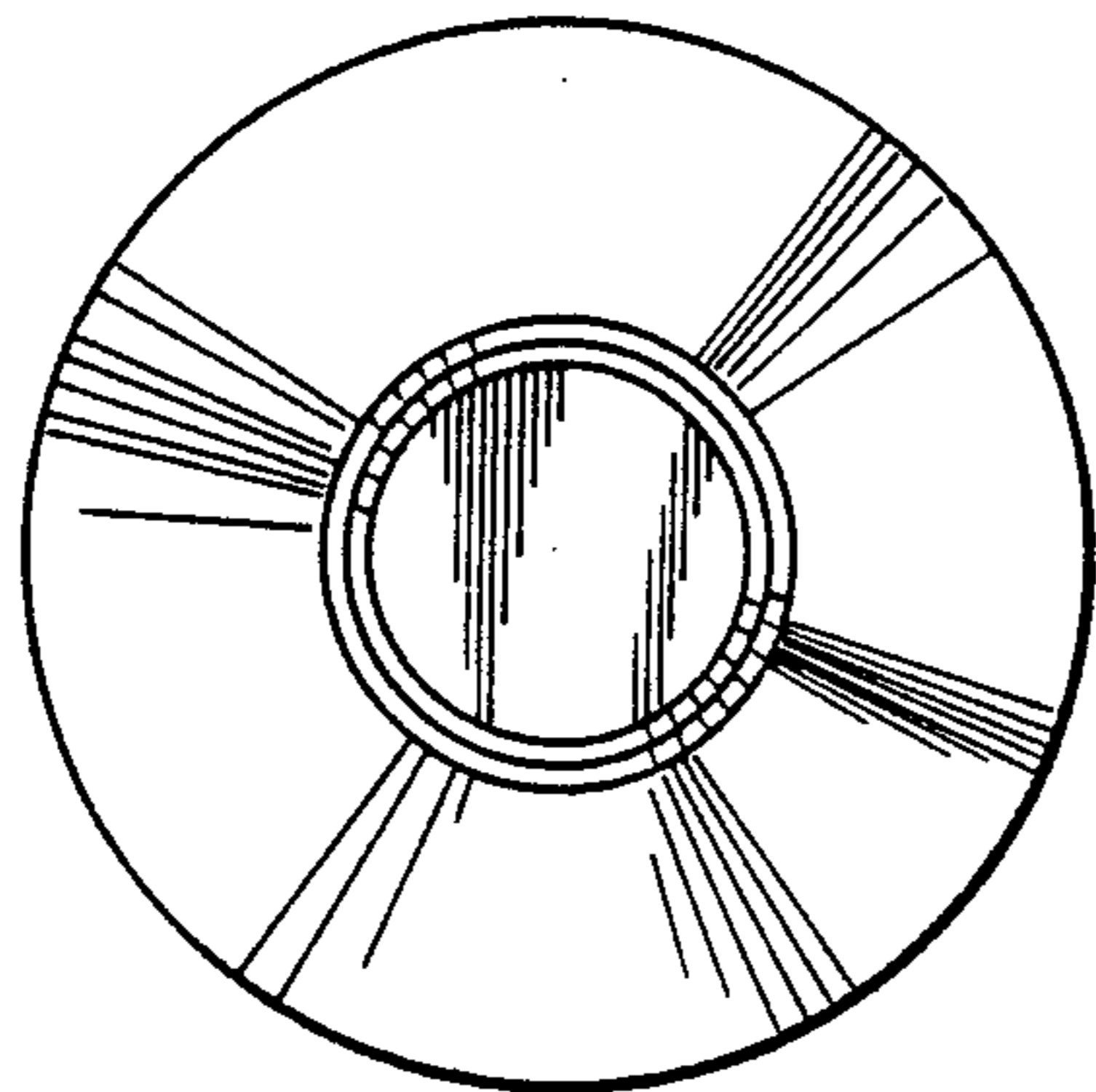


Fig.4

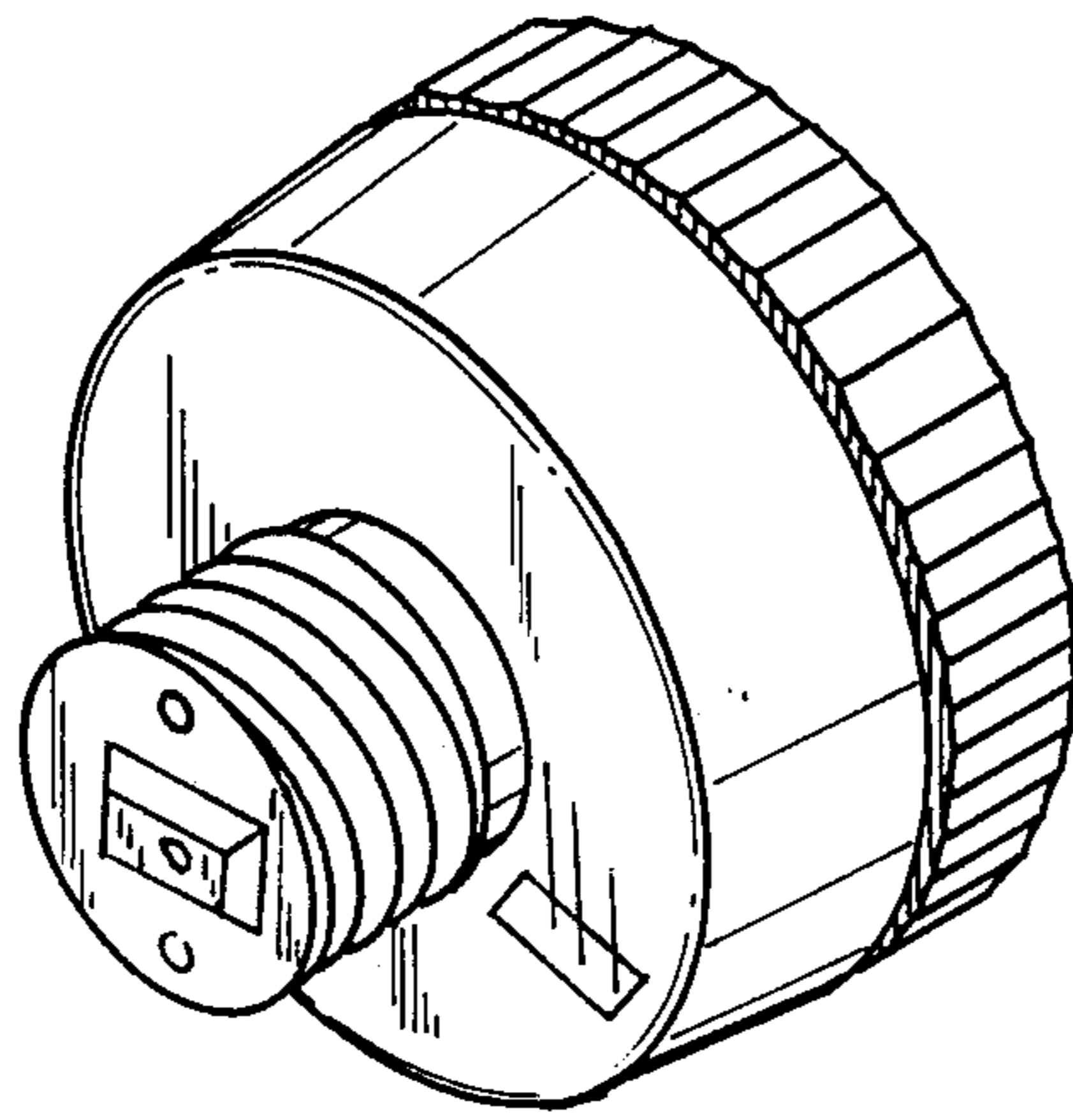


Fig. 5

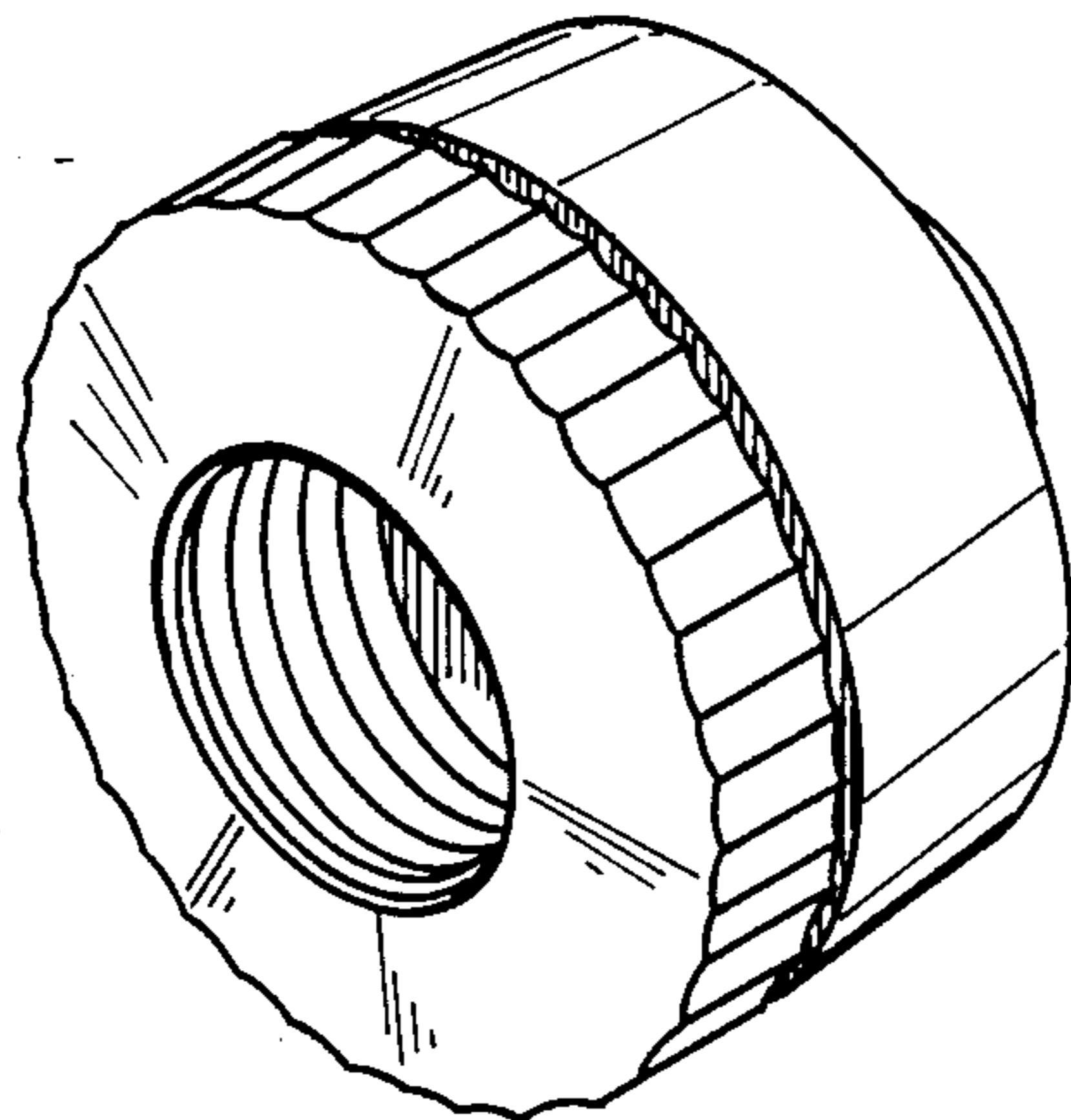


Fig. 6