

[54] SWITCH

[75] Inventor: W. Barry Krause, Spotsylvania, Va.

[73] Assignee: Tower Manufacturing Corporation, Providence, R.I.

[**] Term: 14 Years

[21] Appl. No.: 102,573

[22] Filed: Sep. 29, 1987

[52] U.S. Cl. D13/169

[58] Field of Search D13/32, 37; 200/295, 200/302.3, 310, 315, 339, 553

[56] References Cited

U.S. PATENT DOCUMENTS

D. 254,848	4/1980	Sano	D13/37
D. 299,642	1/1989	Kamisada	D13/37
1,368,228	2/1921	Behrens	200/239

FOREIGN PATENT DOCUMENTS

1097024 12/1967 United Kingdom 200/296

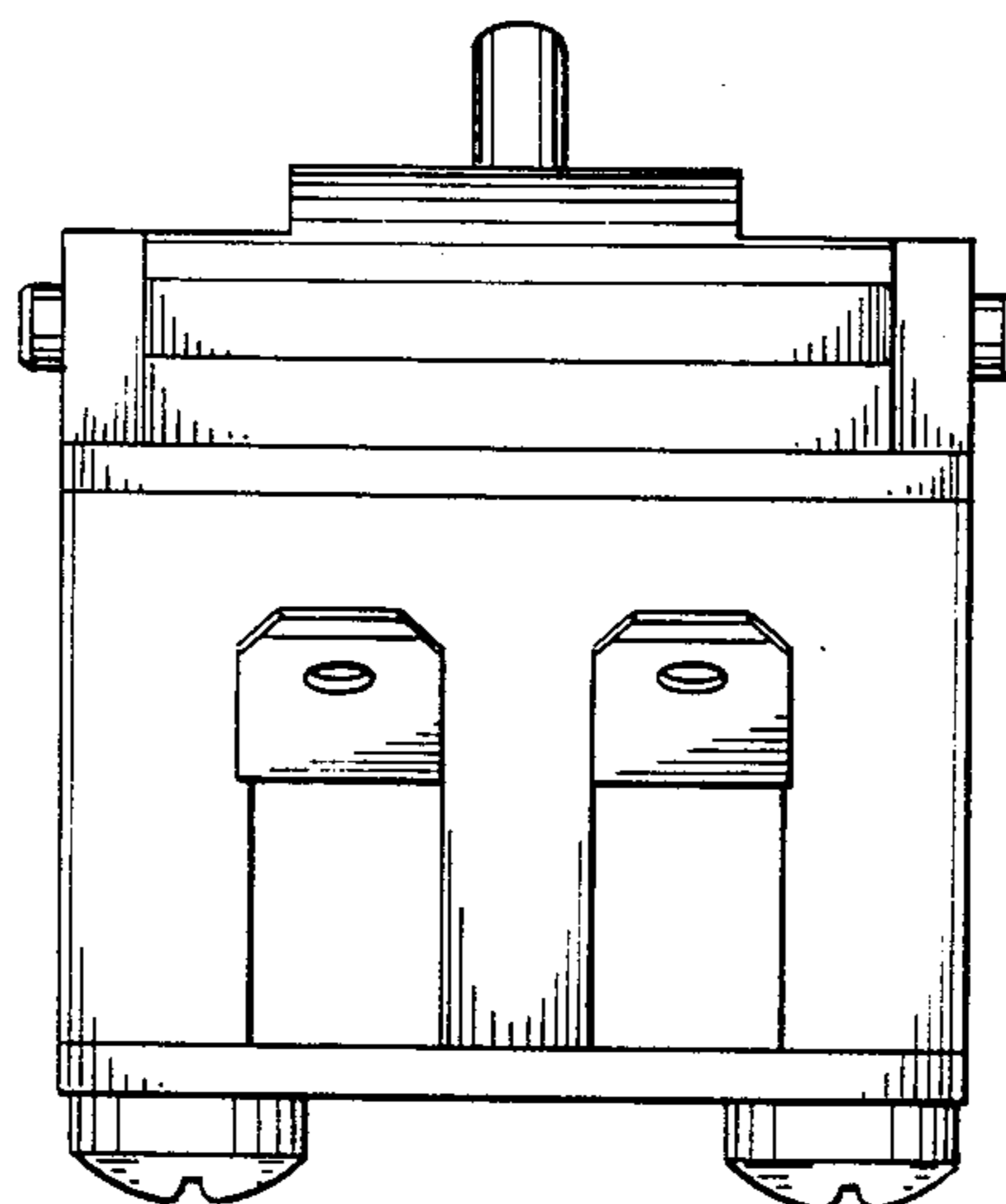
Primary Examiner—Wallace R. Burke
Assistant Examiner—Joel Sincavage
Attorney, Agent, or Firm—Salter & Michaelson

[57] CLAIM

The ornamental design for a switch, as shown and described.

DESCRIPTION

FIG. 1 is a rear elevational view of a switch showing my new design;
FIG. 2 is a top plan view thereof;
FIG. 3 is a front elevational view thereof;
FIG. 4 is a side elevational view thereof, the opposite side elevational view being a mirror image;
FIG. 5 is a bottom plan view thereof.



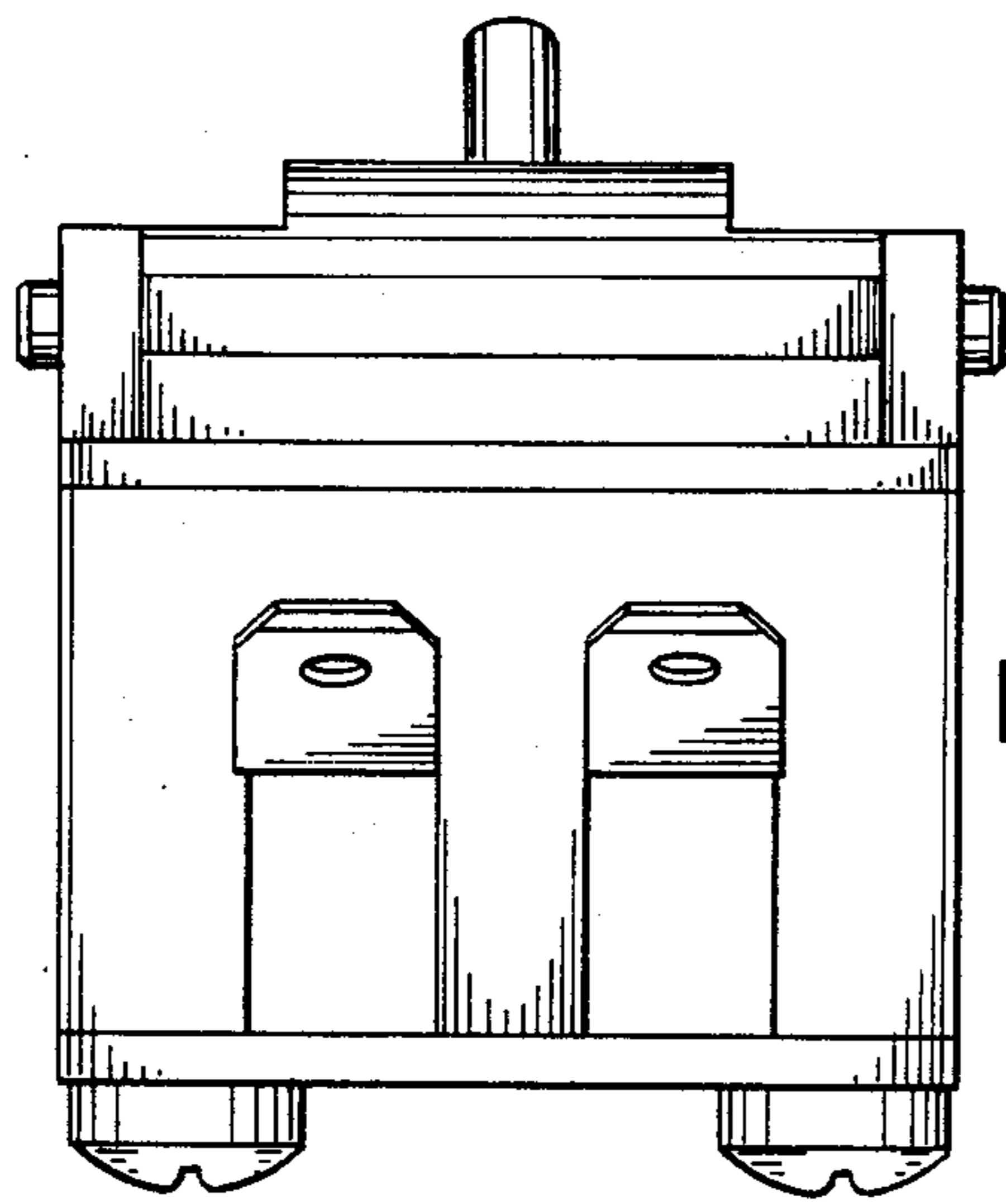


FIG. 1

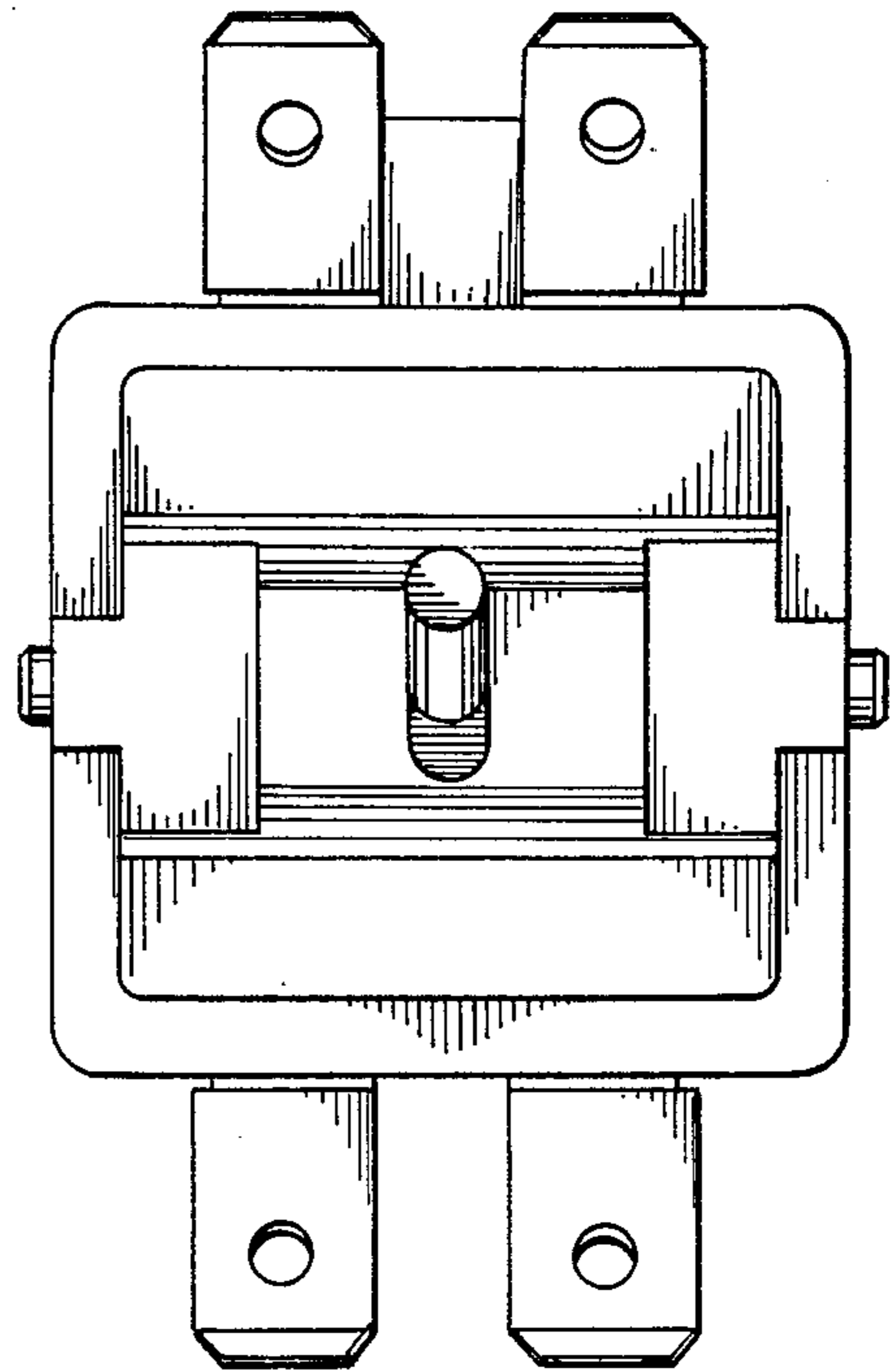


FIG. 2

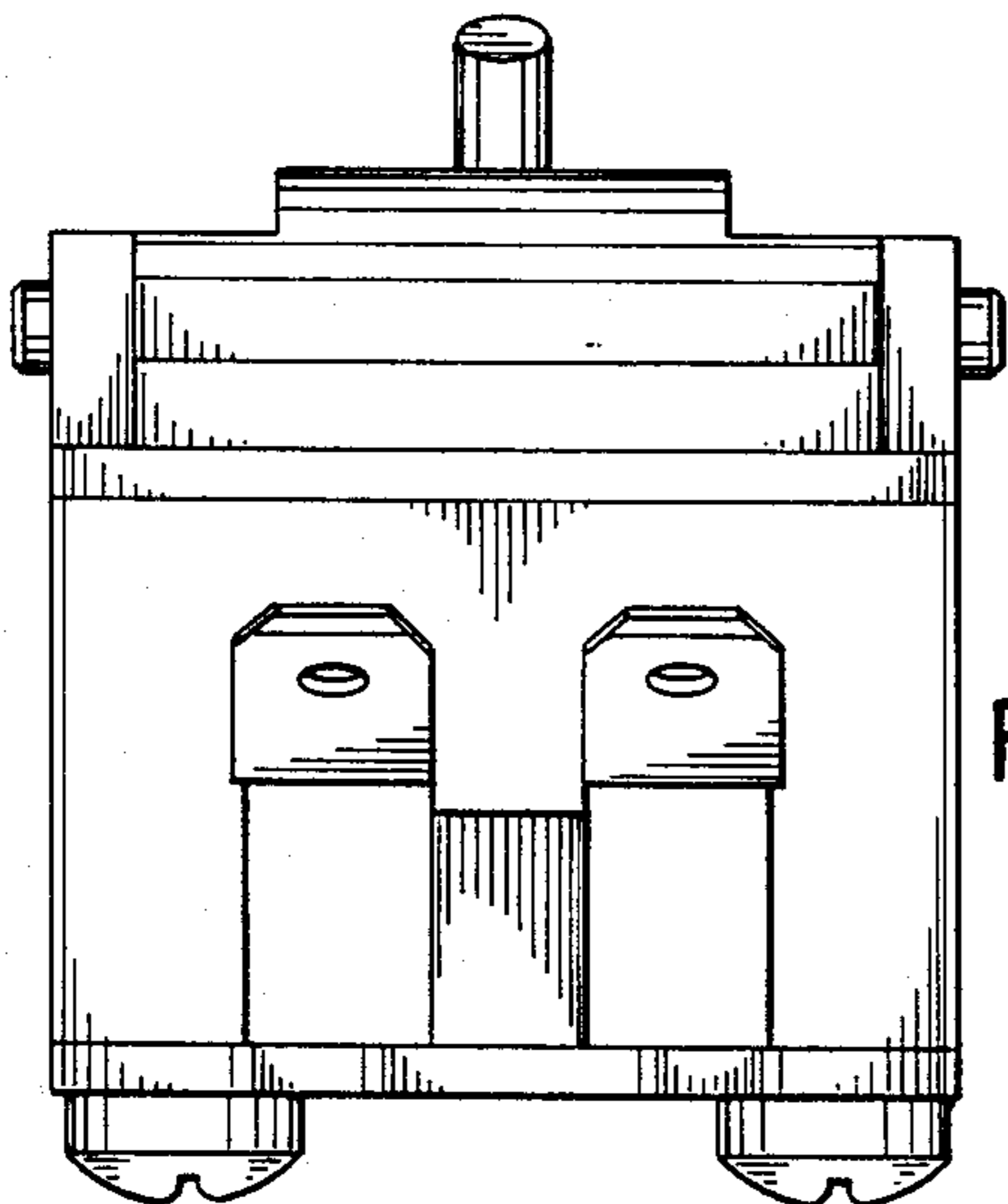


FIG. 3

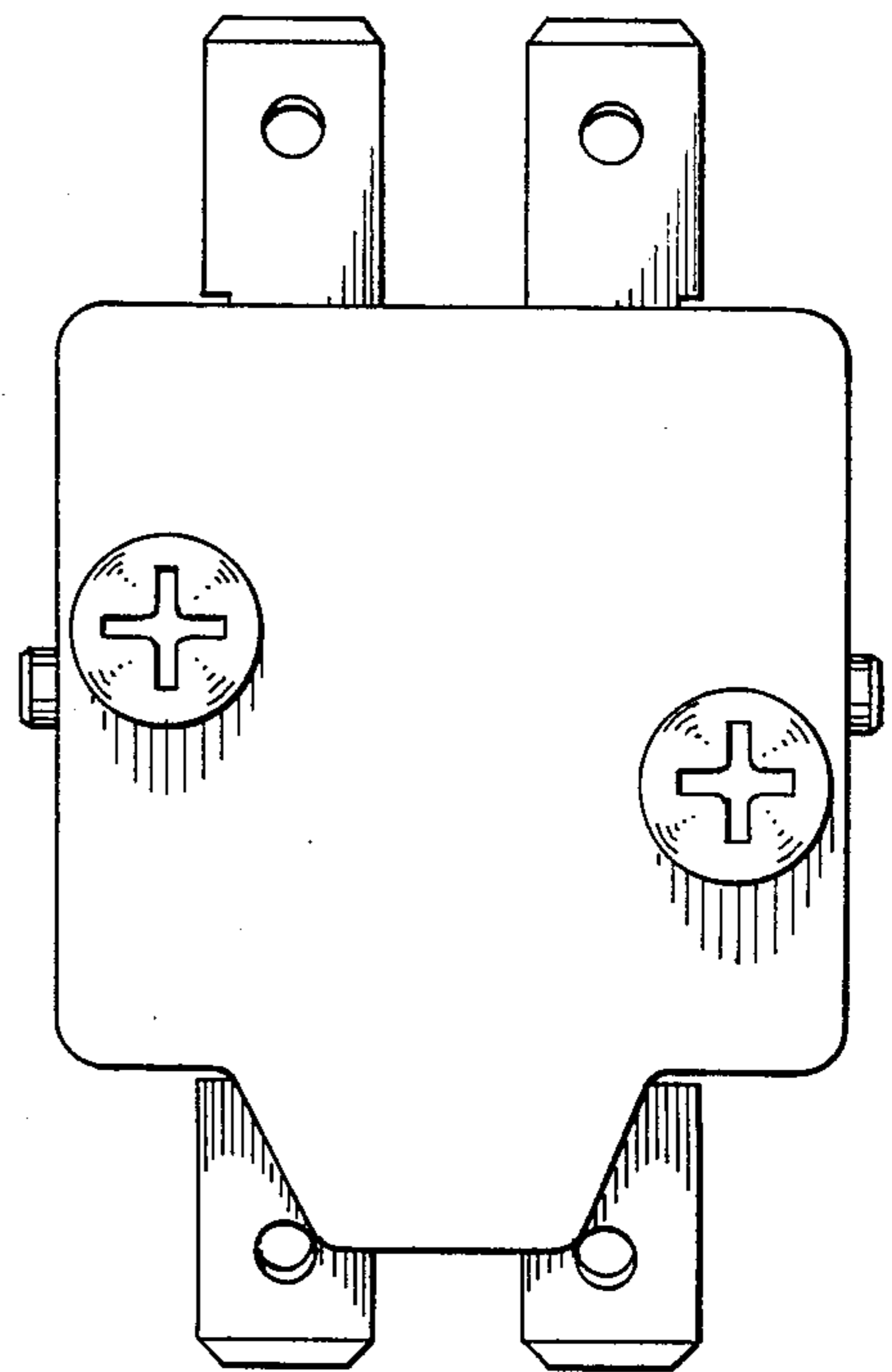


FIG. 5

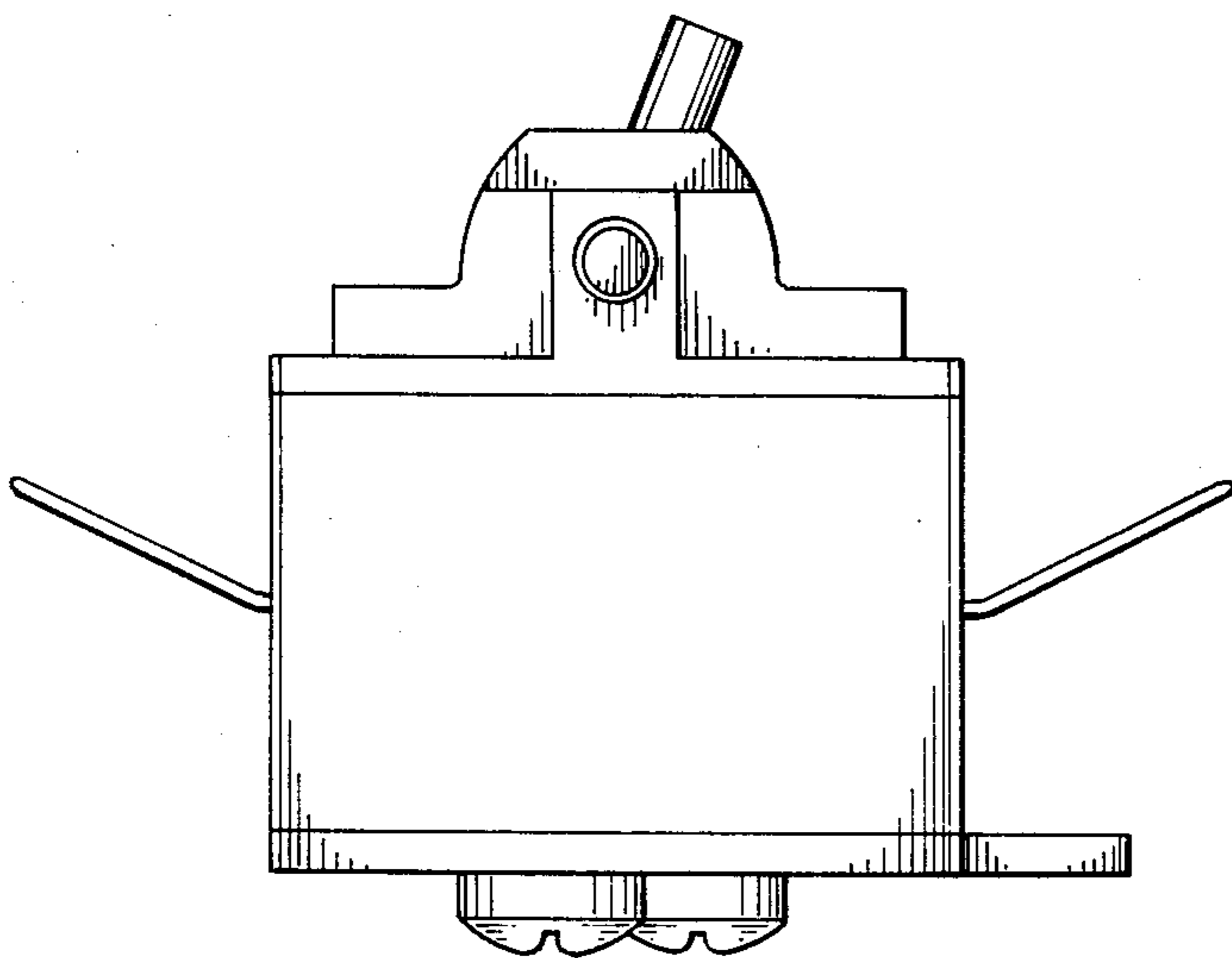


FIG. 4