

[54] **TRANSOM PORTION OF A MOTORBOAT**

[75] Inventor: **Victor B. Porter, Decatur, Ind.**

[73] Assignee: **Thunderbird Products Corporation, Decatur, Ind.**

[\*\*] Term: **14 Years**

[21] Appl. No.: **45,665**

[22] Filed: **May 1, 1987**

[52] U.S. Cl. .... **D12/317**

[58] Field of Search ..... **D12/317, 318; 114/343, 114/364; 440/89, 51, 52, 69**

[56] **References Cited**

**U.S. PATENT DOCUMENTS**

D. 292,510	10/1987	Hawkins et al. ....	D12/317
D. 300,021	2/1989	Riley .....	D12/318
4,708,087	11/1987	Potter, Jr. ....	114/343
4,742,795	5/1988	DePrey et al. ....	114/343
4,786,265	11/1988	Porter .....	114/343
4,823,725	4/1989	Smith .....	114/343

*Primary Examiner*—Wallace R. Burke  
*Assistant Examiner*—Kay H. Chin

*Attorney, Agent, or Firm*—Pearne, Gordon, McCoy & Granger

[57] **CLAIM**

The ornamental design for a transom portion of a motorboat, as shown and described.

**DESCRIPTION**

FIG. 1 is a top perspective view of a transom portion of a motor boat showing my new design, the broken lines are for illustrative purposes only and form no part of the claimed design;

FIG. 2 is a top plan view thereof;

FIG. 3 is a front elevational view thereof;

FIG. 4 is a bottom plan view thereof;

FIG. 5 is a side elevational view thereof, the opposite side view being a mirror image of that shown;

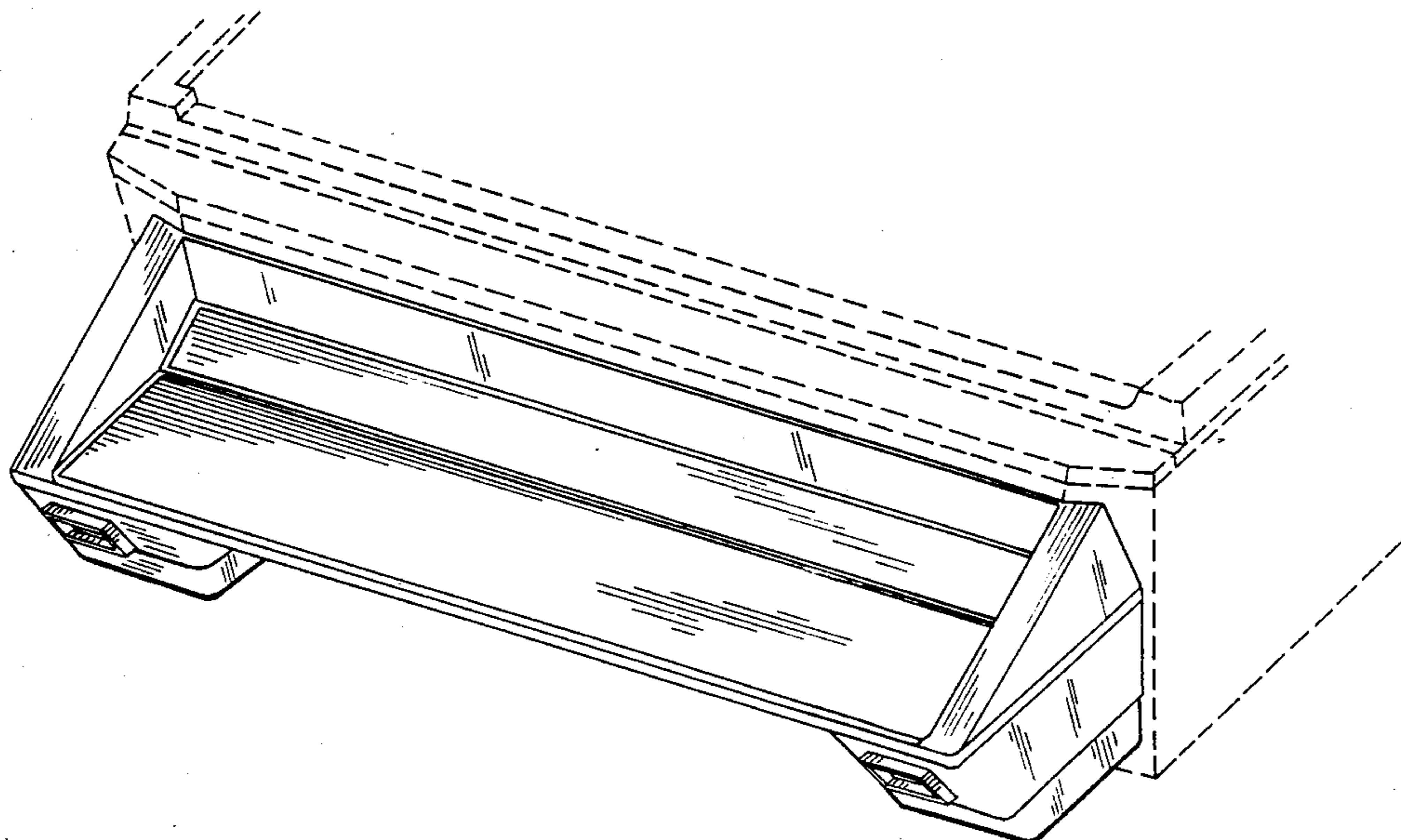
FIG. 6 is a top perspective view of a second embodiment of the transom portion of a motor boat, the broken lines are for illustrative purposes only and form no part of the claimed design;

FIG. 7 is a top plan view of FIG. 6;

FIG. 8 is a front elevational view of FIG. 6;

FIG. 9 is a bottom plan view of FIG. 6;

FIG. 10 is a side elevational view of FIG. 6, the opposite side being a mirror image of that shown.



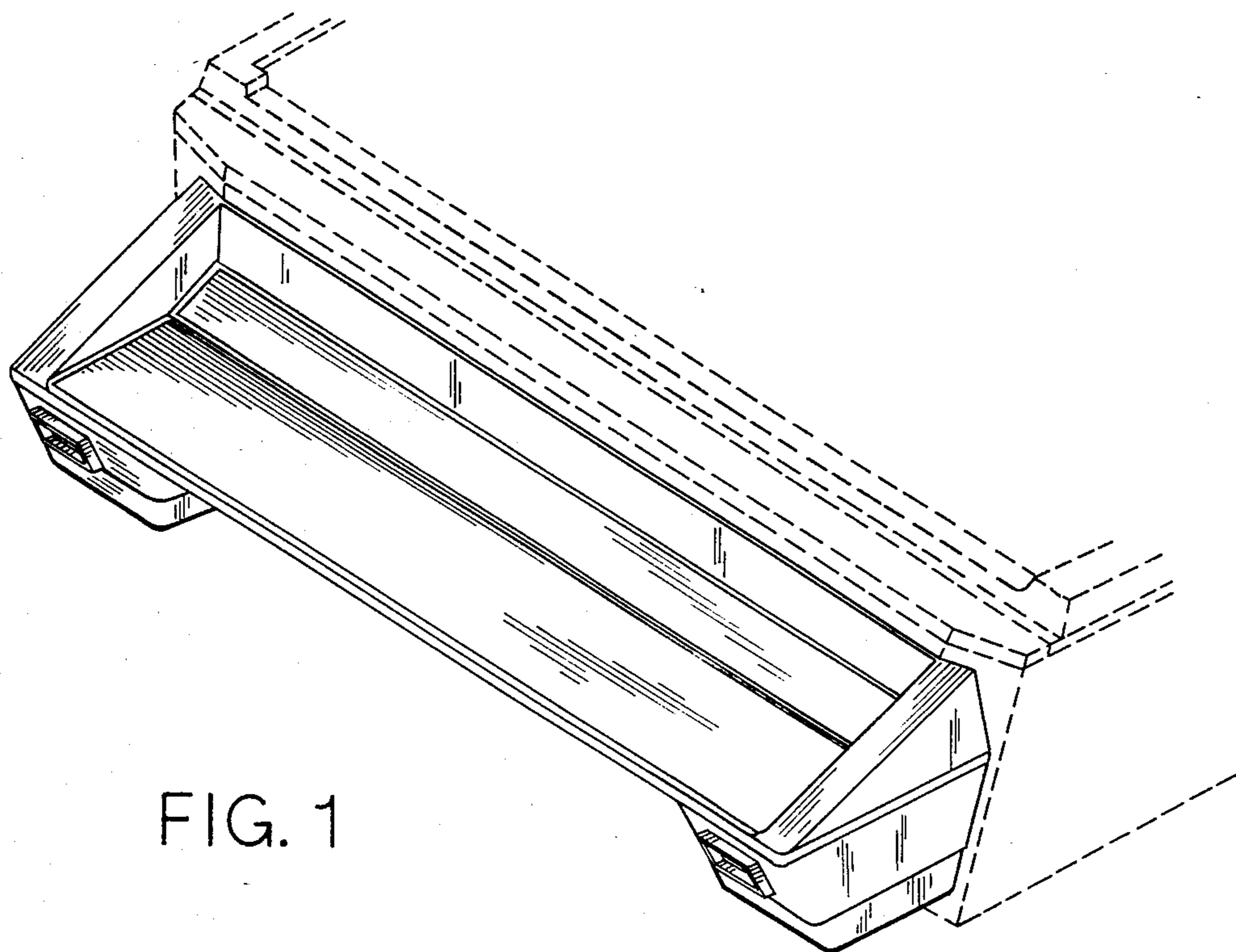


FIG. 1

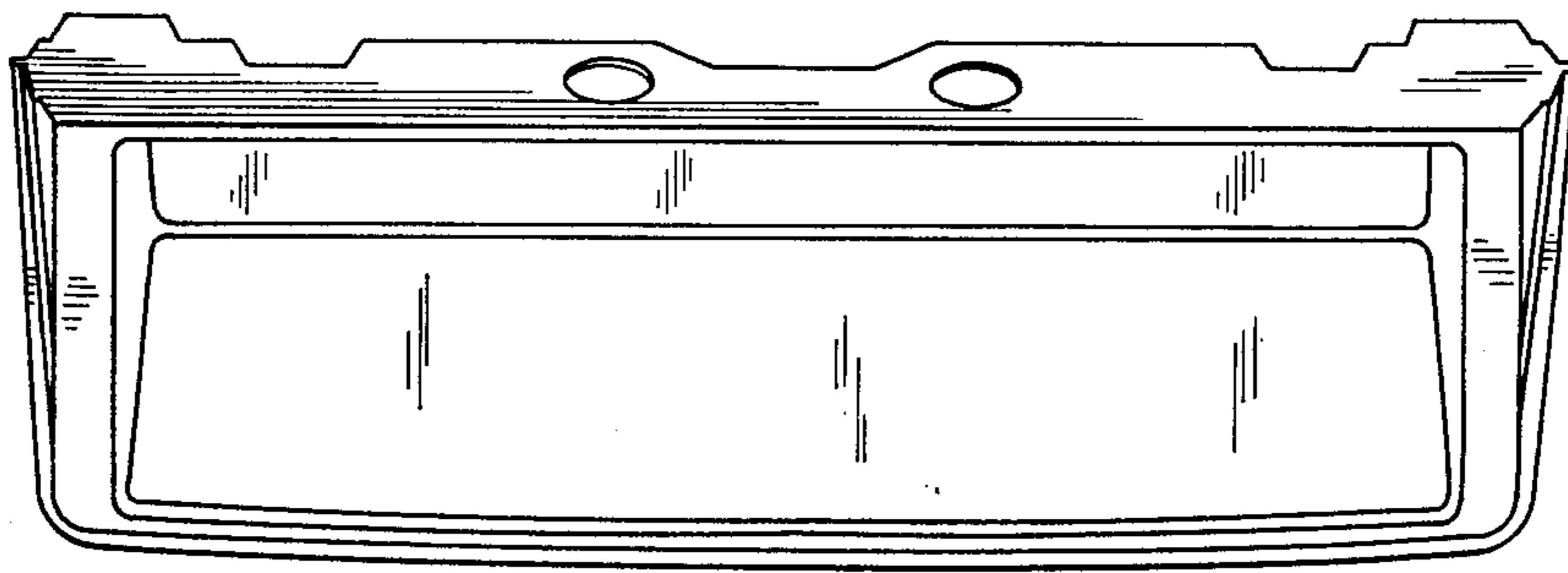


FIG. 2

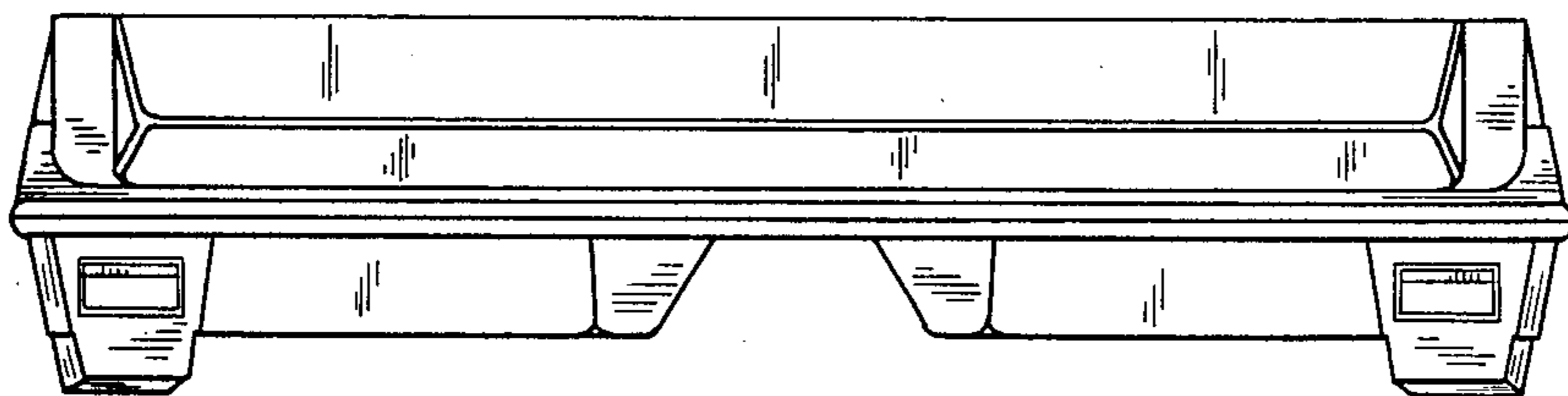


FIG. 3

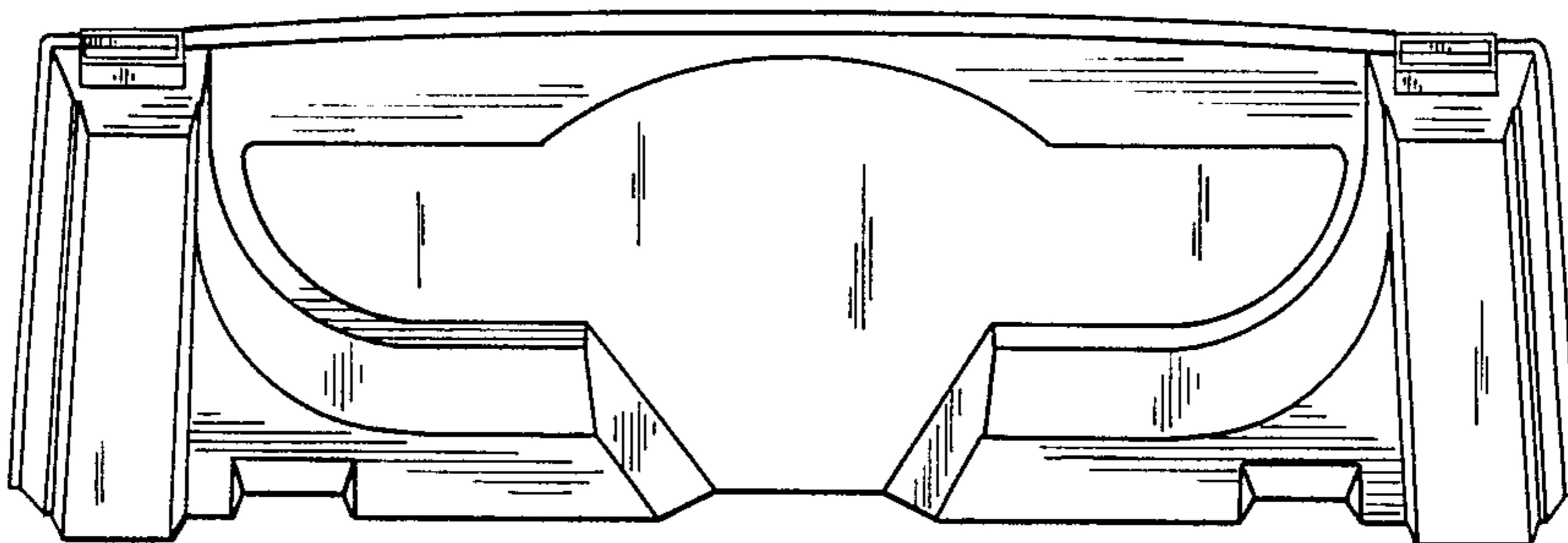
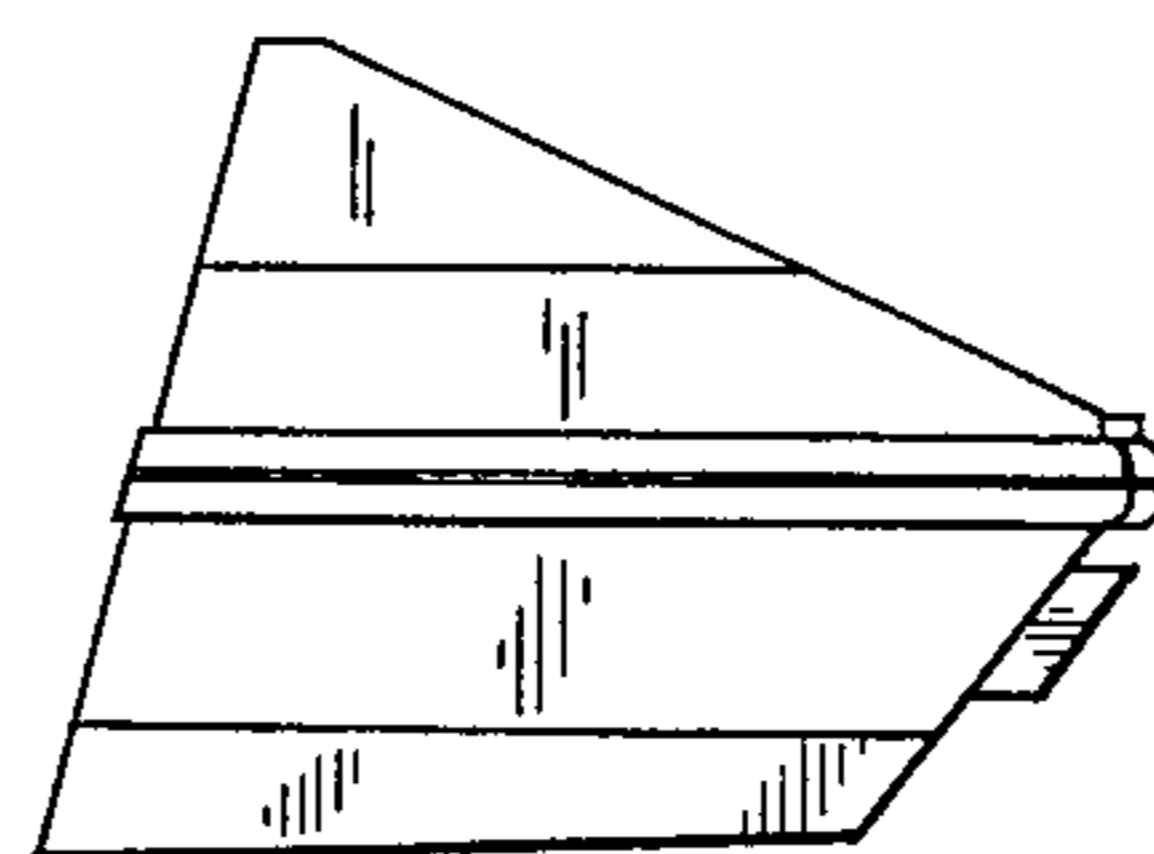


FIG. 4

FIG. 5



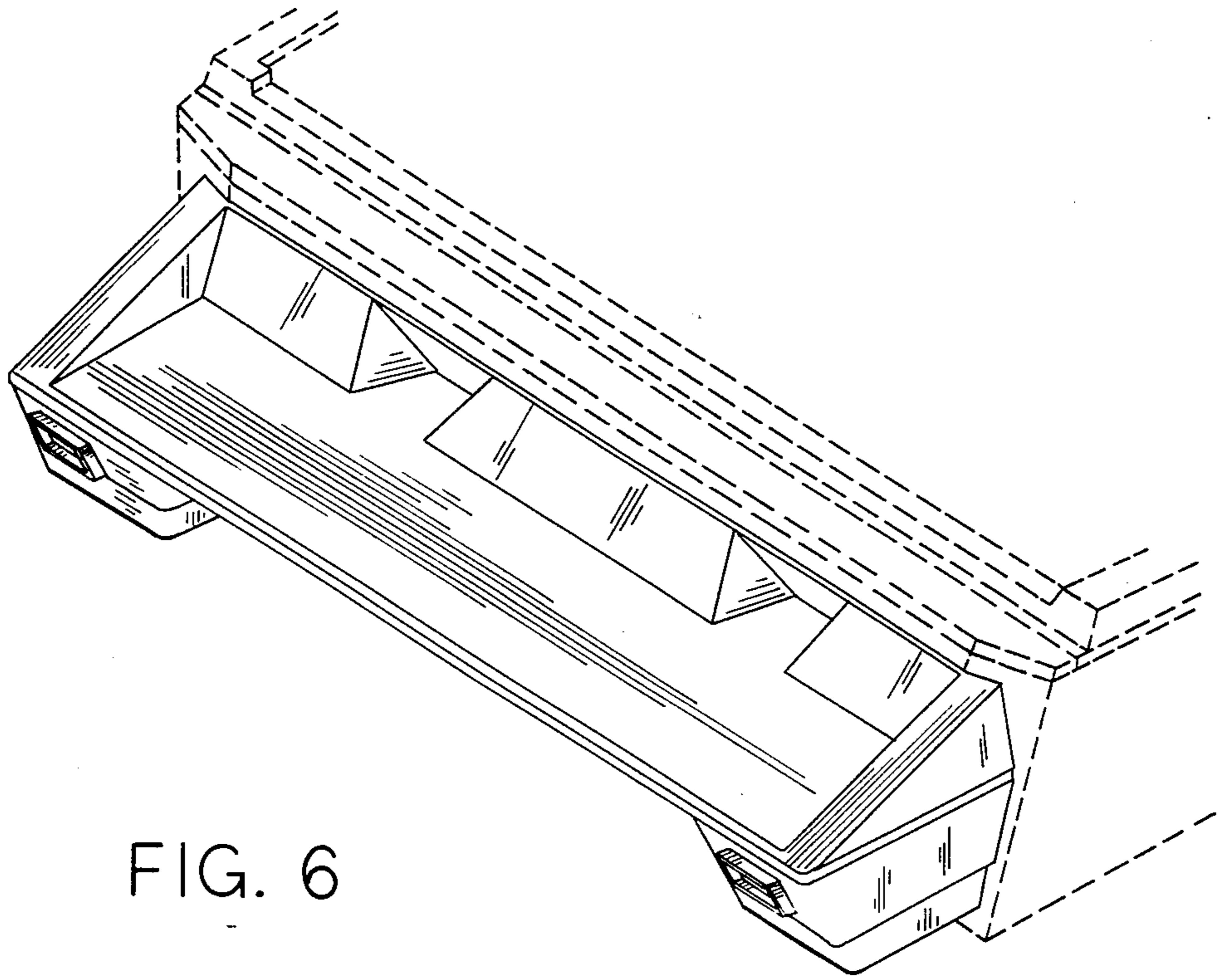


FIG. 6

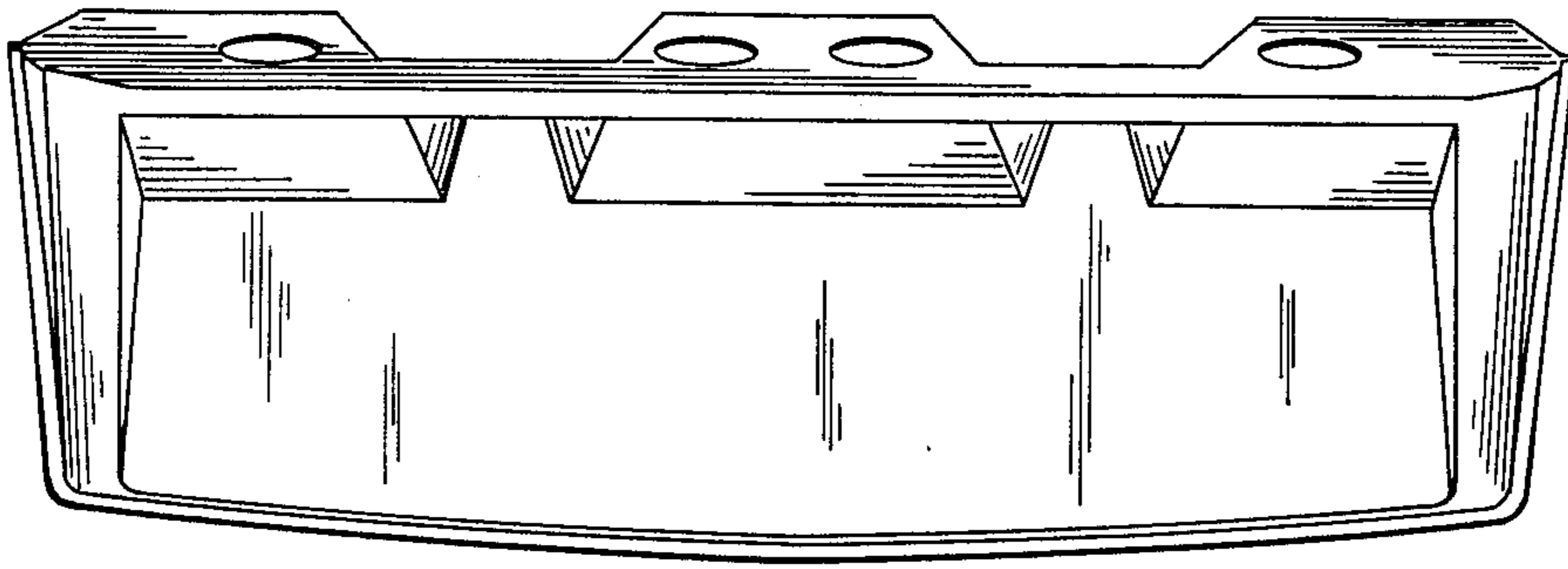


FIG. 7

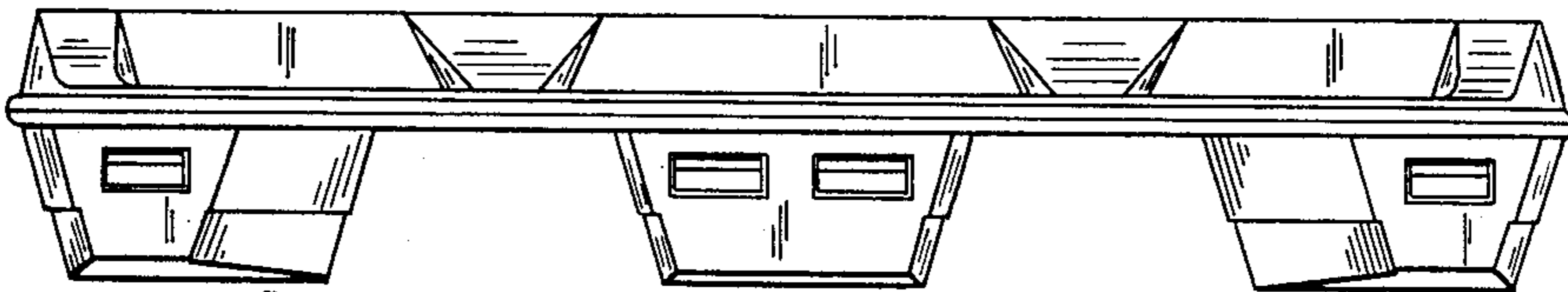


FIG. 8

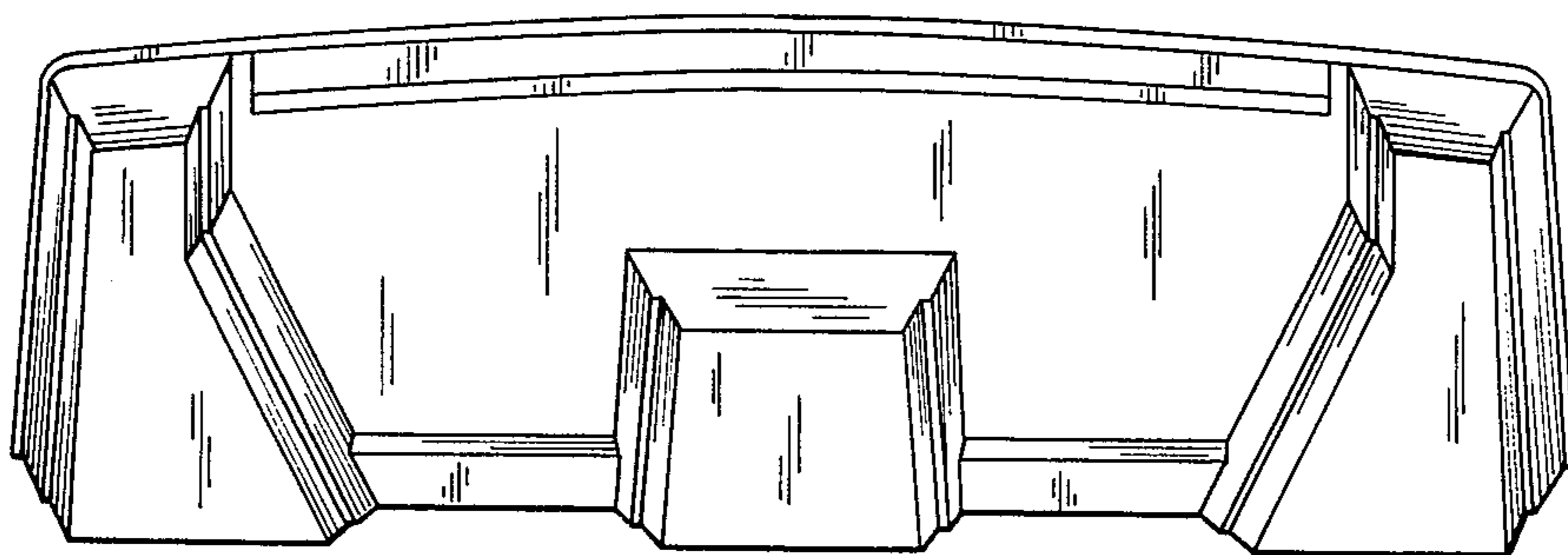


FIG. 9

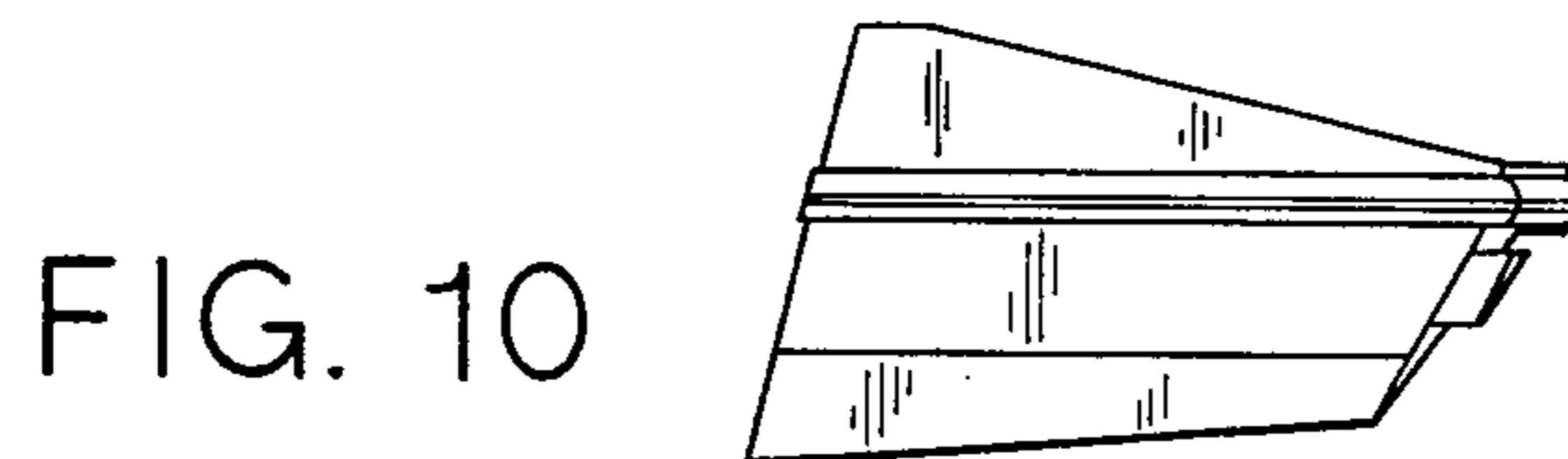


FIG. 10