

[54] SURVIVAL CAPSULE

[75] Inventors: Albert M. Thompson, LaJolla; Eric R. Hooper, Lakeside, both of Calif.

[73] Assignee: Survival Systems International, Inc., Valley Center, Calif.

[\*\*] Term: 14 Years

[21] Appl. No.: 79,489

[22] Filed: Jul. 30, 1987

[52] U.S. Cl. .... D12/308; D12/300; D12/316

[58] Field of Search ..... D12/300, 308, 316; 114/349, 315, 316, 310, 312, 318, 350, 274, 348, 350

[56] References Cited

U.S. PATENT DOCUMENTS

- D. 263,949 4/1982 Hooper et al. .... D12/315
- D. 284,074 6/1986 Hooper ..... D12/308
- 4,297,757 11/1981 Camu ..... 114/349

- 4,365,579 12/1982 Perez, Jr. .... 114/349
- 4,790,784 12/1988 Givens ..... 114/349

FOREIGN PATENT DOCUMENTS

- 2535158 2/1976 Fed. Rep. of Germany ..... 114/274

Primary Examiner—Wallace R. Burke  
Assistant Examiner—Kay H. Chin  
Attorney, Agent, or Firm—Flehr, Hohbach, Test, Albritton & Herbert

[57] CLAIM

The ornamental design for a survival capsule, as shown and described.

DESCRIPTION

FIG. 1 is a top perspective view of a survival capsule showing our new design;  
FIG. 2 is a top plan view thereof;  
FIG. 3 is a right side elevational view thereof;  
FIG. 4 is a left side elevational view thereof;  
FIG. 5 is a front elevational view thereof;  
FIG. 6 is a rear elevational view thereof; and  
FIG. 7 is a bottom plan view thereof.

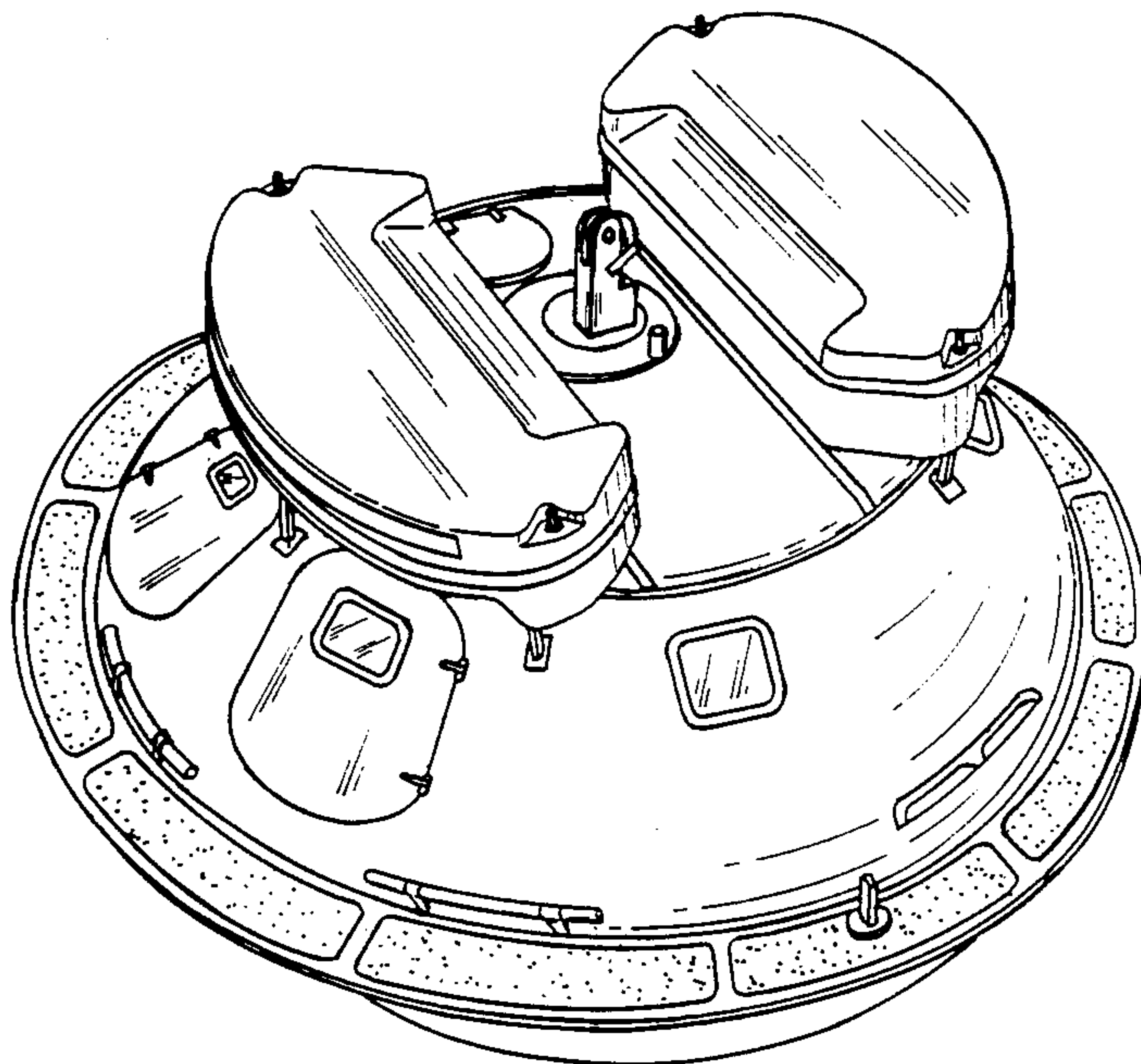


Fig. 1

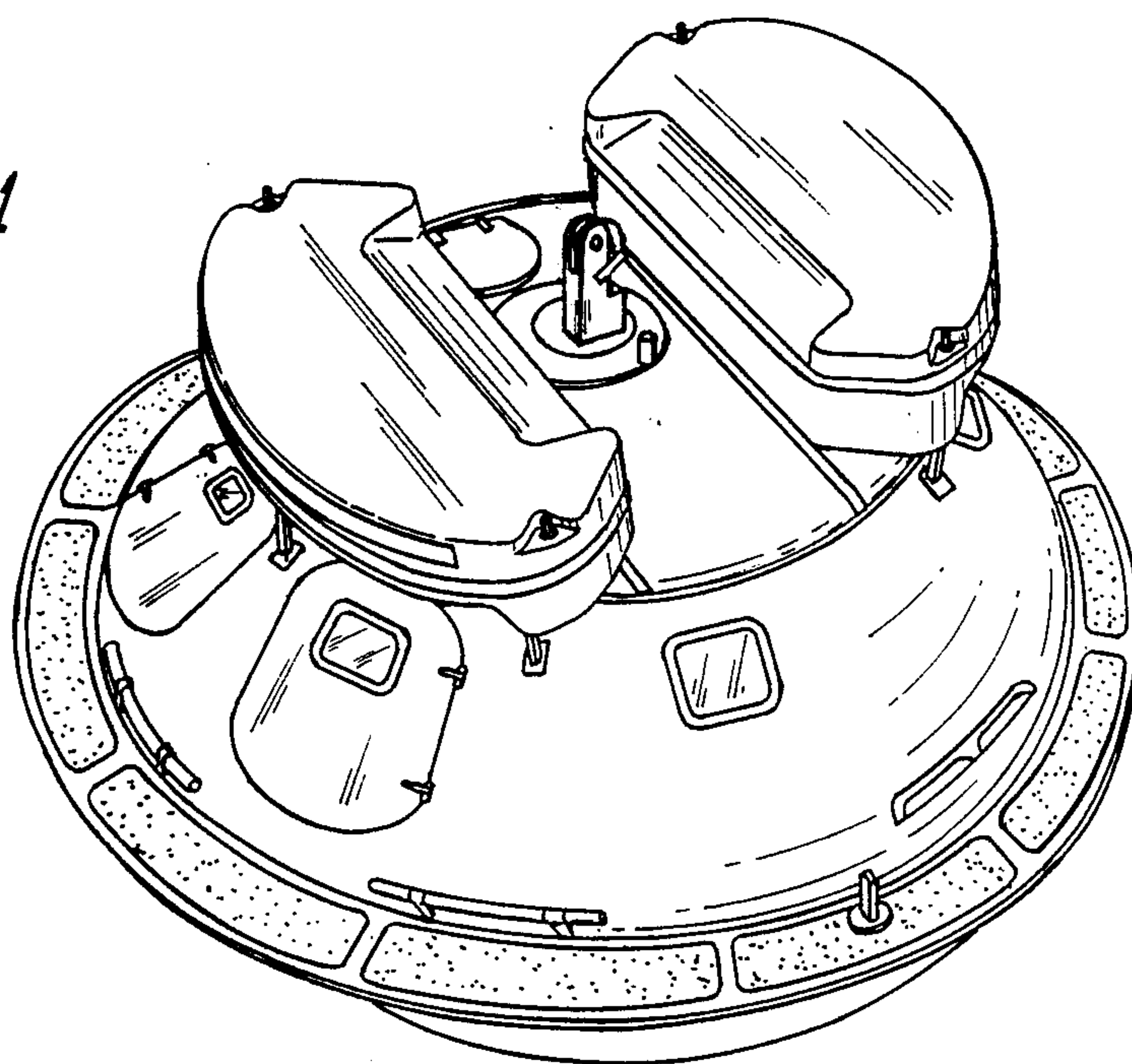
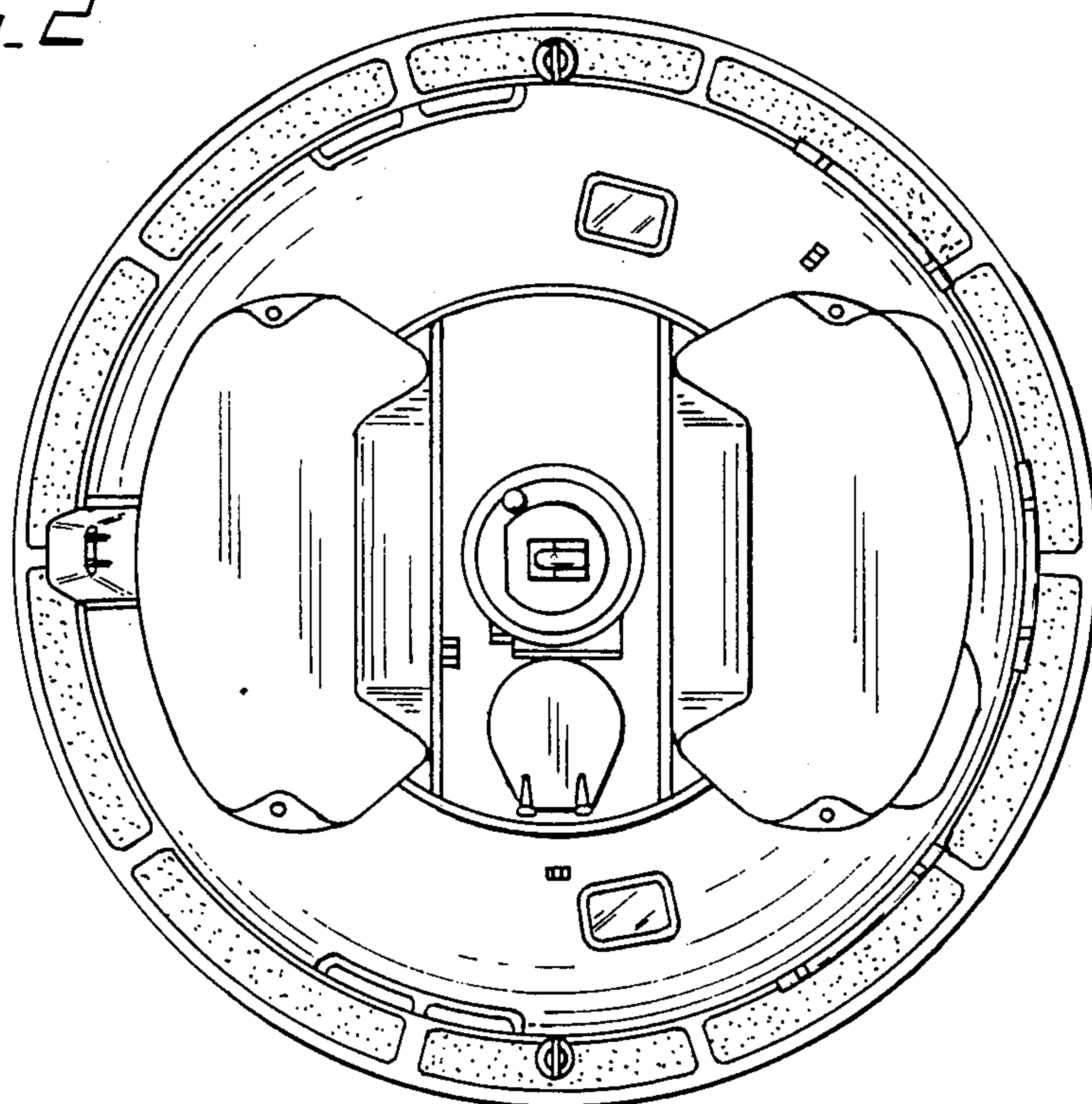


Fig. 2



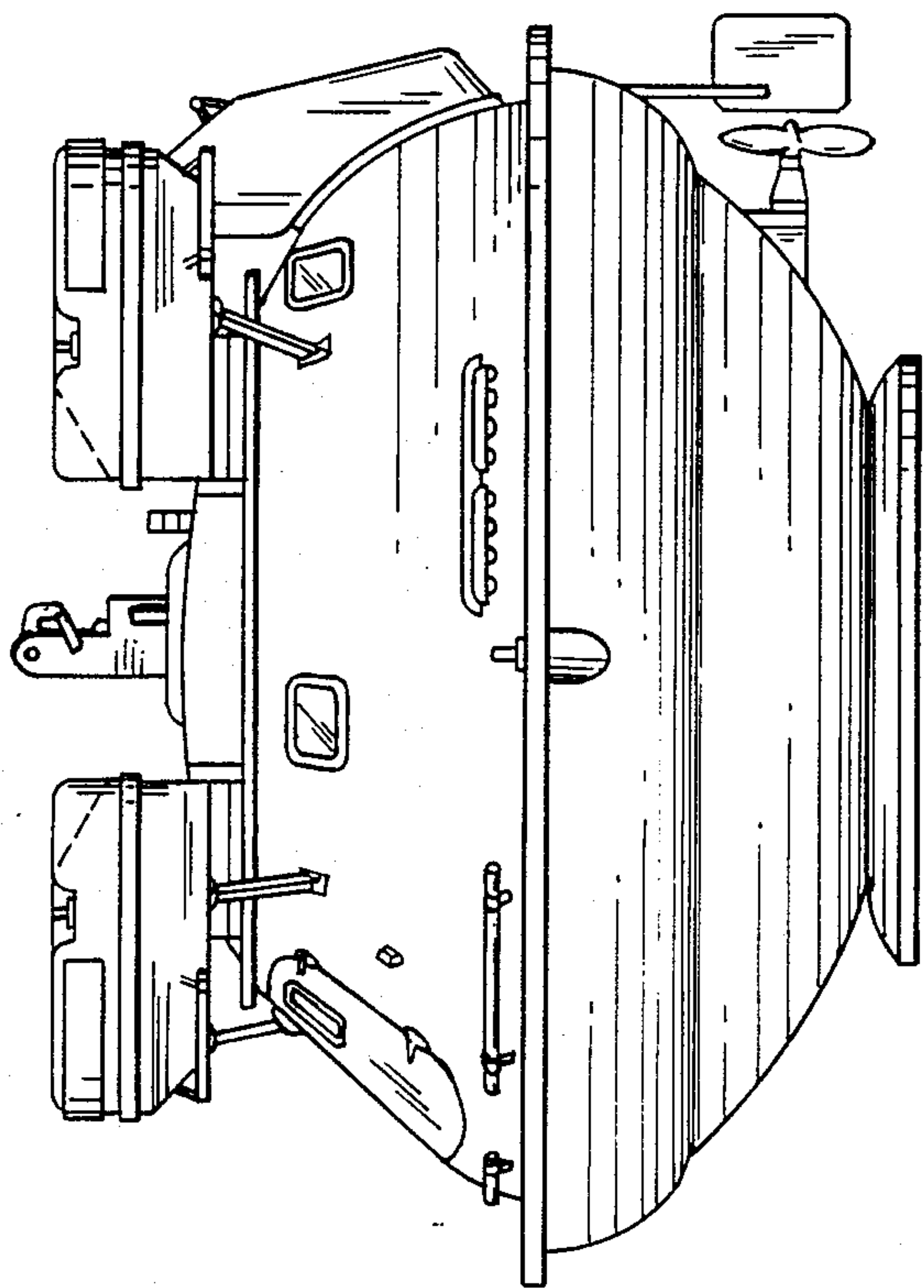


FIG. 4

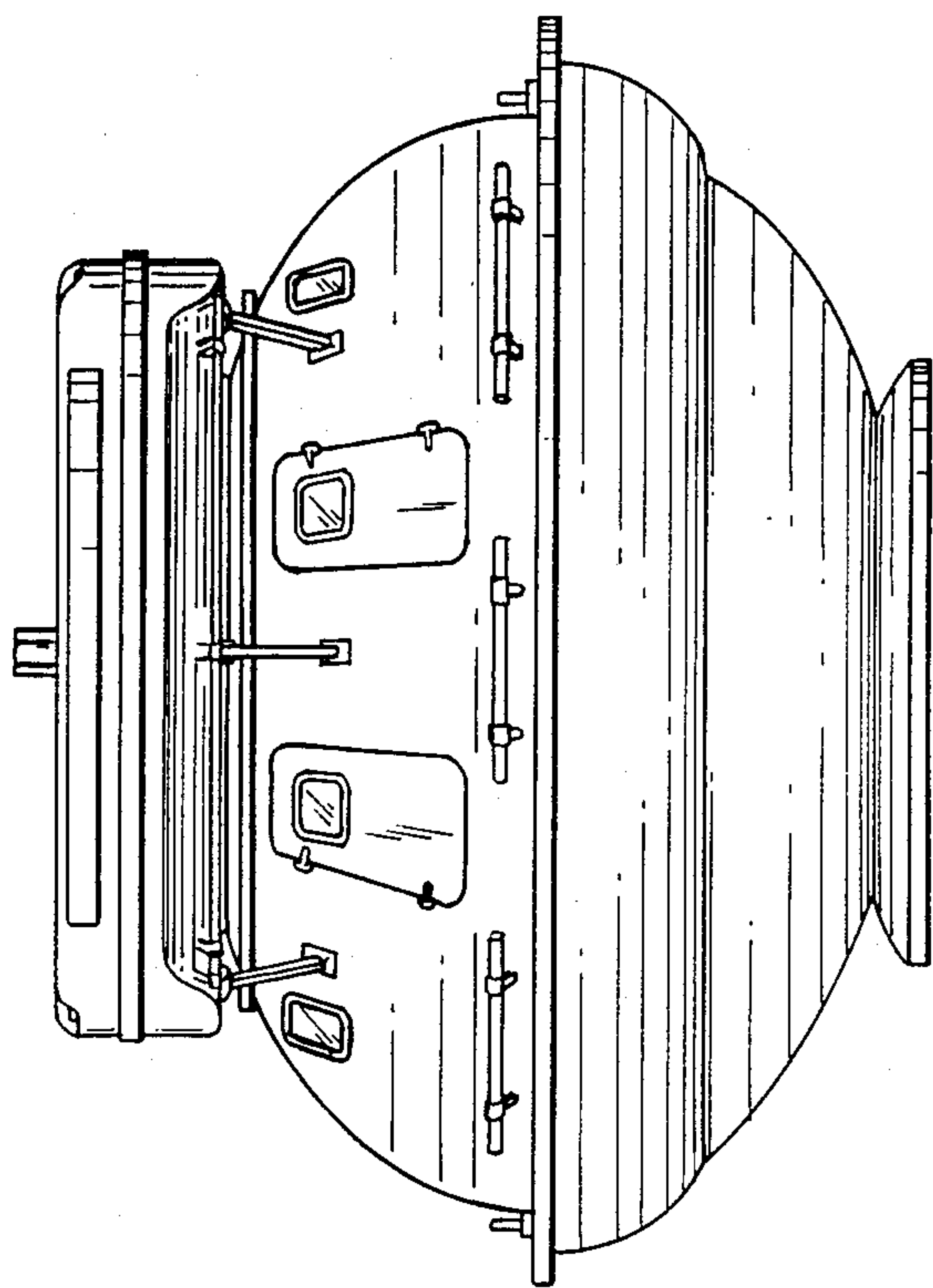


FIG. 5

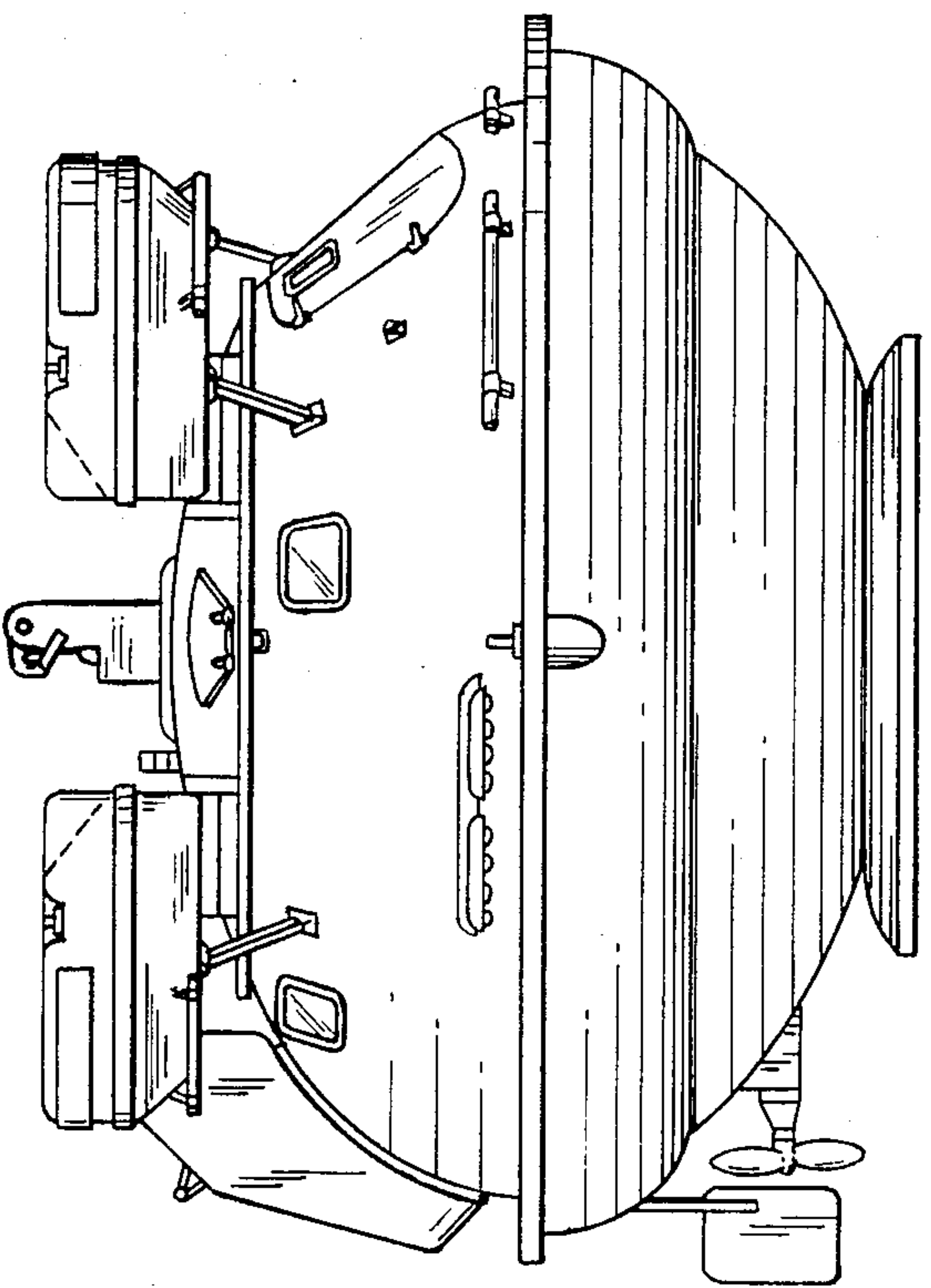


FIG. 3



Fig. 6

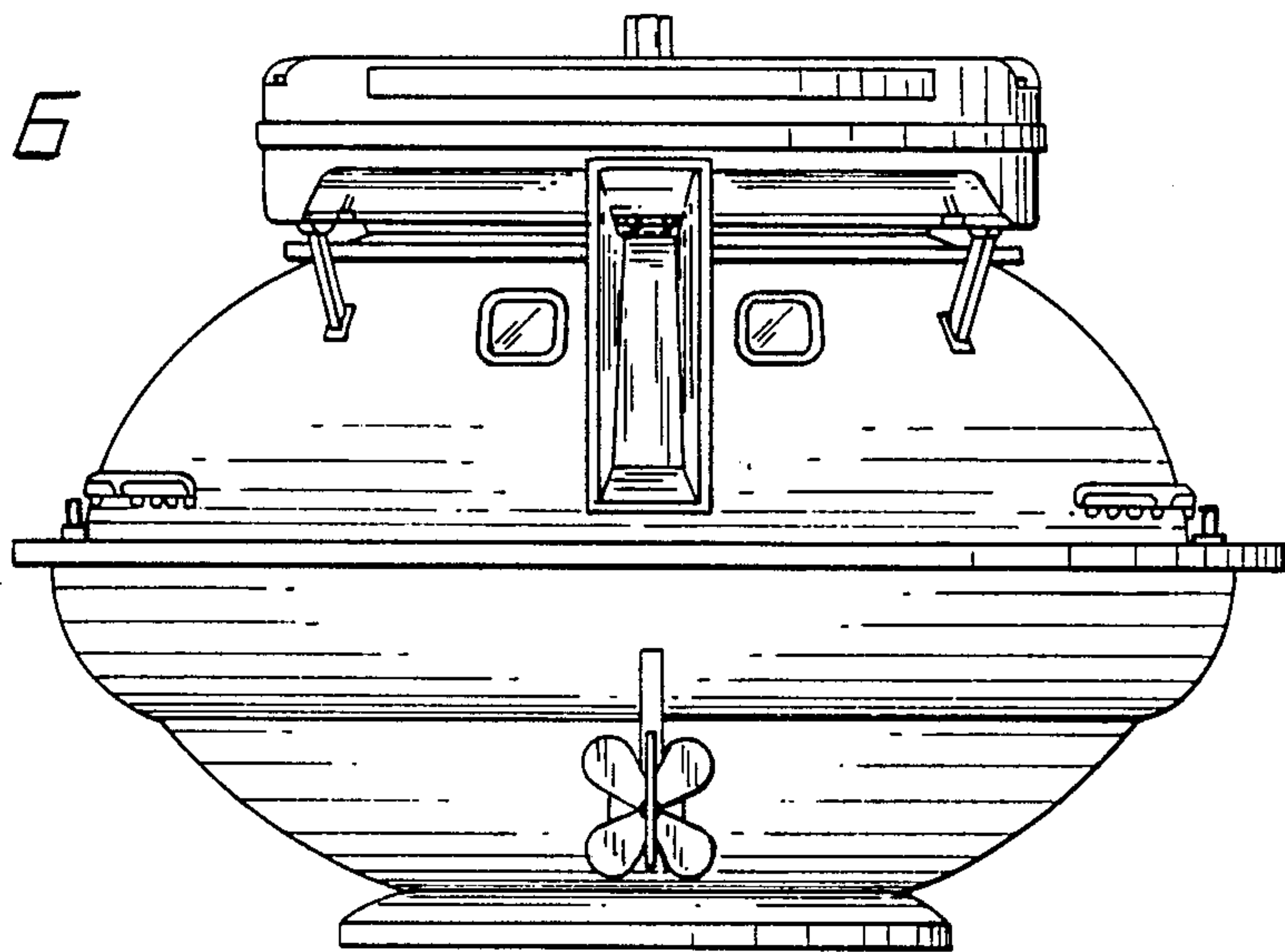


Fig. 7

