

[54] AUTOMOTIVE VEHICLE GRILL

[75] Inventors: **Giorgio Guelfi**, Milan; **Ezio Villa**; **Franco Mendicino**, both of Arese; **Renato Pasquali**, Garbagnate; **Alberto Alberti**, Legnano, all of Italy

[73] Assignee: **Alfa Lancia Industriale S.r.l.**, Arese, Italy

[**] Term: **14 Years**

[21] Appl. No.: **18,981**

[22] Filed: **Feb. 25, 1987**

[52] U.S. Cl. **D12/163**

[58] Field of Search **D12/163; 180/68.6**

[56] **References Cited**
PUBLICATIONS

1983 Pontiac Brochure, p. 10, right & left grill members in lower front bumper of Pontiac Firebird, bottom of page.

Hot Rod, 10/86, p. 33, right & left grill members in Pontiac J2000, bottom left side of page.

Motor Trend, 11/86, p. 25, front grille of Alfa Romeo Milano, bottom of page.

Car & Driver, 2/86, p. 29, front grille of Alfa Romeo 164, top of page.

Road & Track, 10/84, p. 34, front grille of Alfa Romeo 90, bottom left side of page.

Alfa Romeo Alfetta Brochure, p. 3, front grille of Alfetta, left side of page.

Primary Examiner—James M. Gandy

Attorney, Agent, or Firm—Charles E. Brown; Charles A. Brown

[57] **CLAIM**

The ornamental design for an automotive vehicle grill, as shown and described.

DESCRIPTION

FIG. 1 is a front elevation view of an automobile vehicle grill showing our new design;

FIG. 2 is a front elevation view of an automobile vehicle grill showing a second embodiment of our new design; and

FIG. 3 is a sectional view of the first embodiment taken along line 3—3 in FIG. 1; and

FIG. 4 is a sectional view of the second embodiment taken along line 4—4 in FIG. 2.

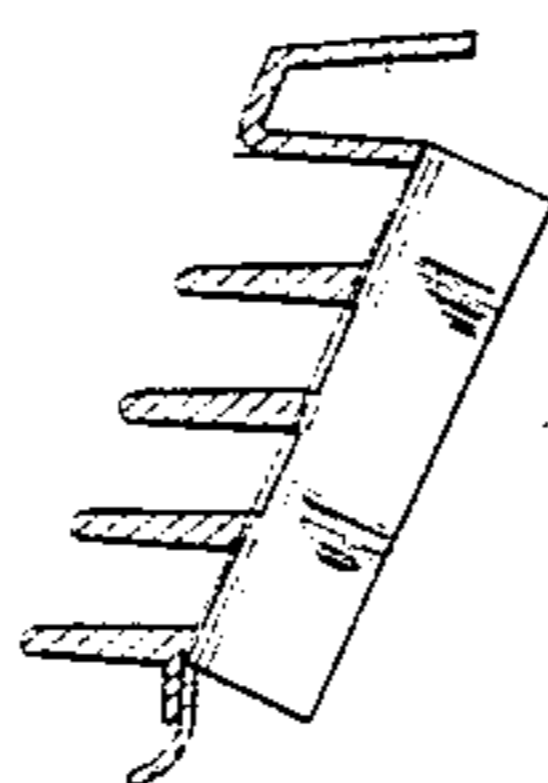
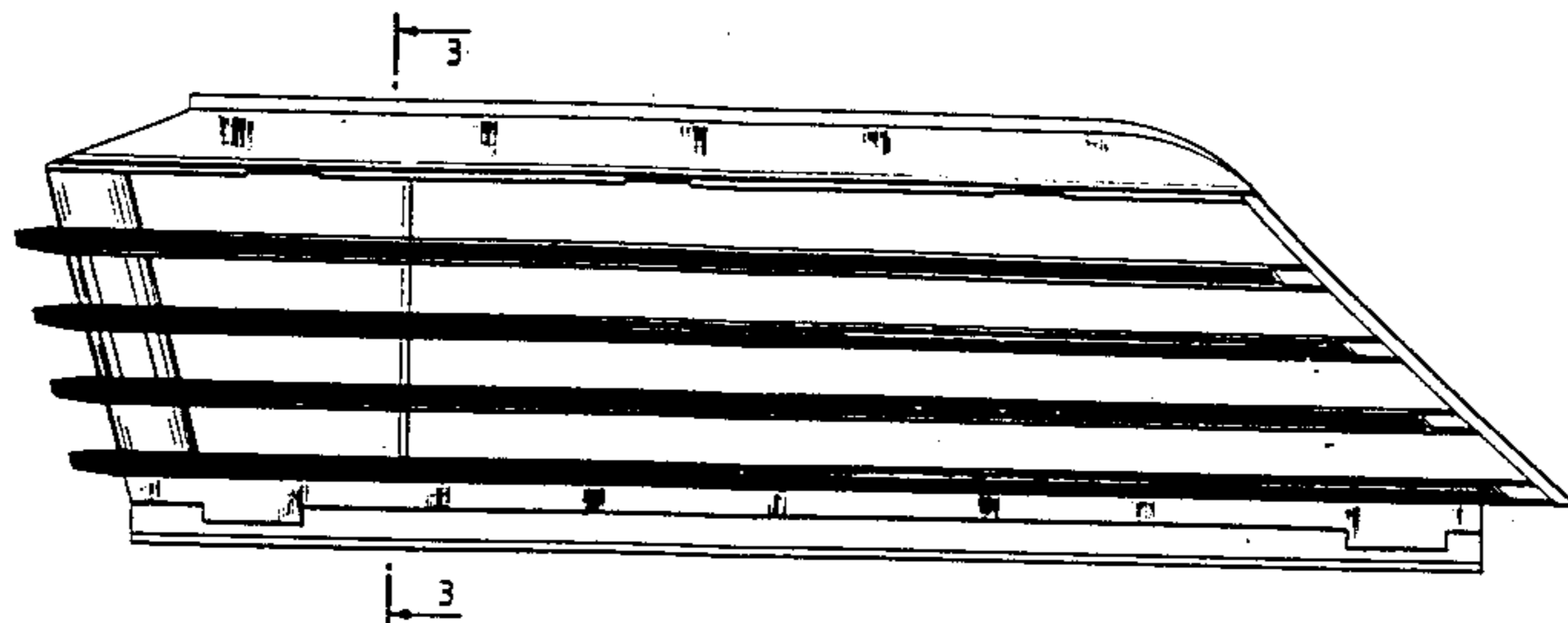


Fig. 1

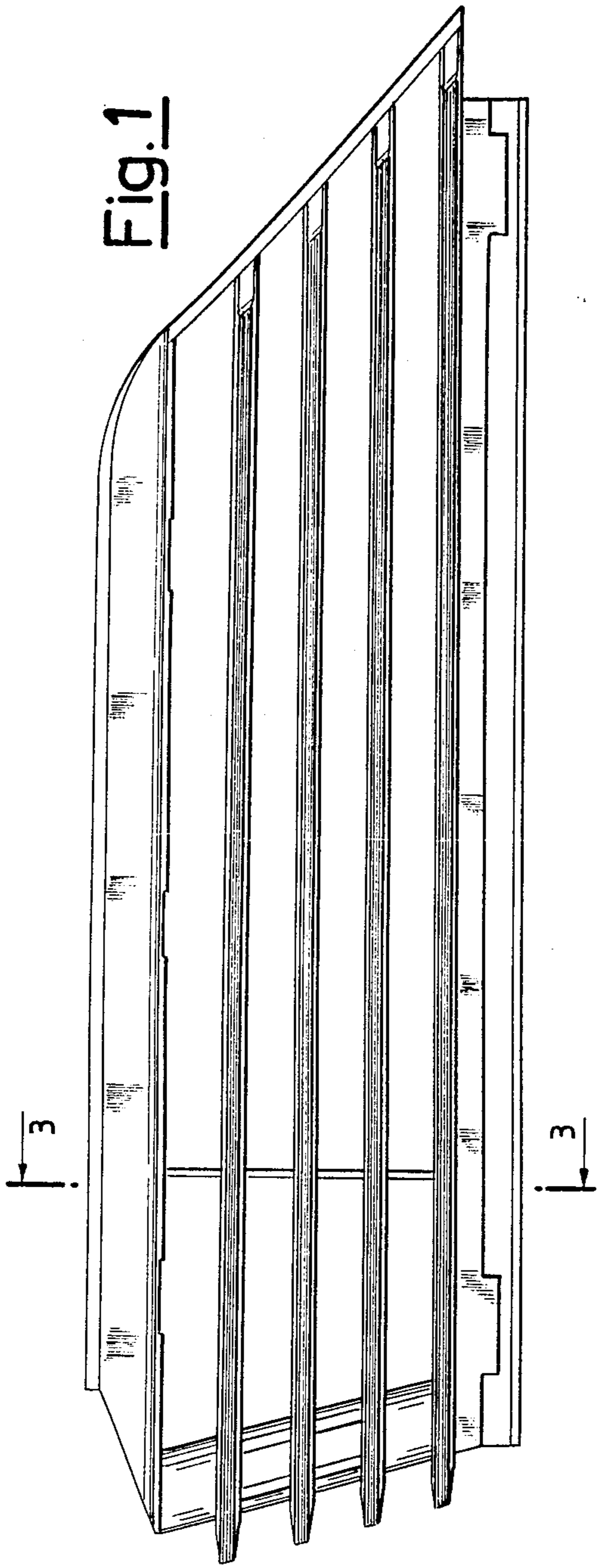
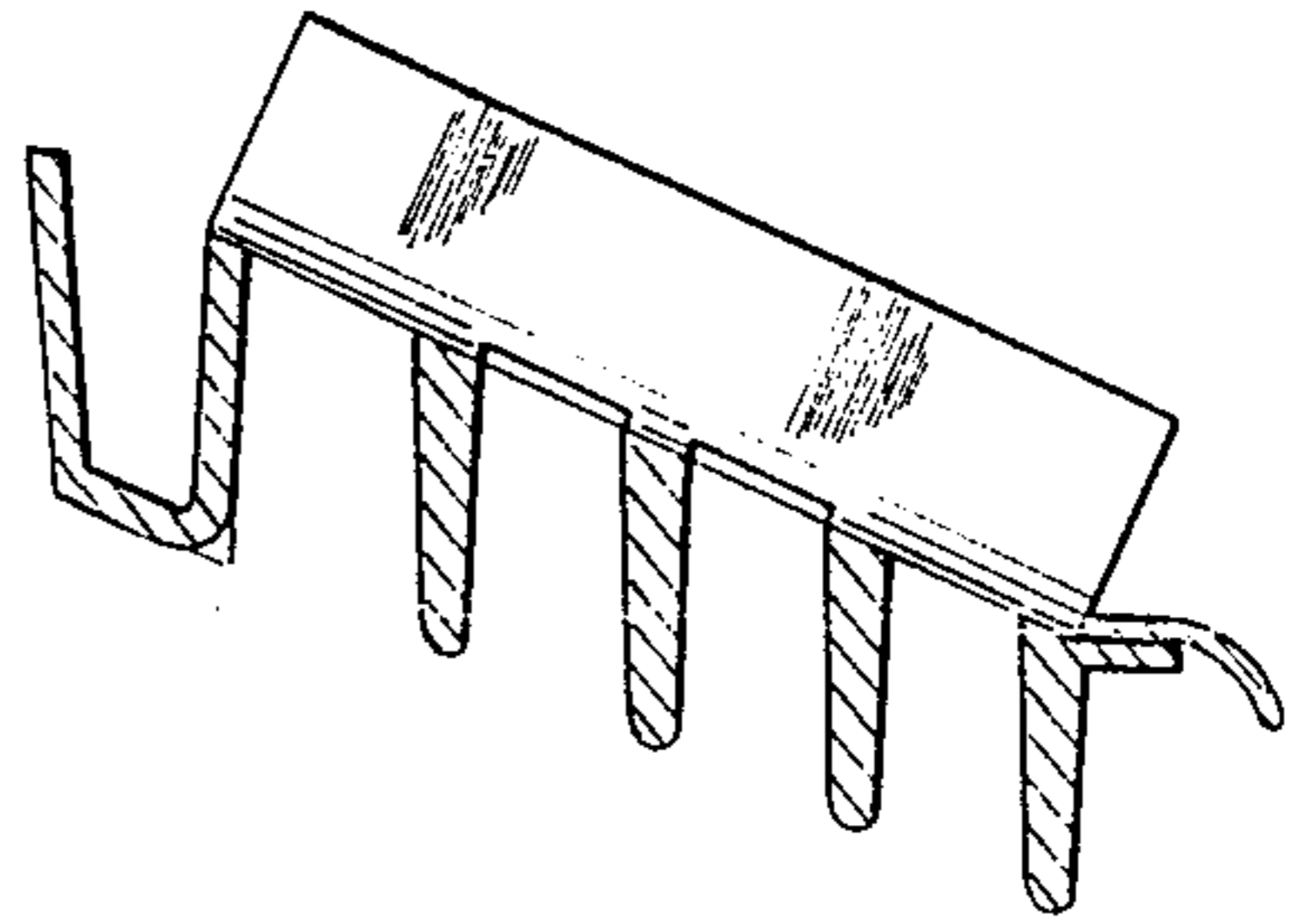


Fig. 3



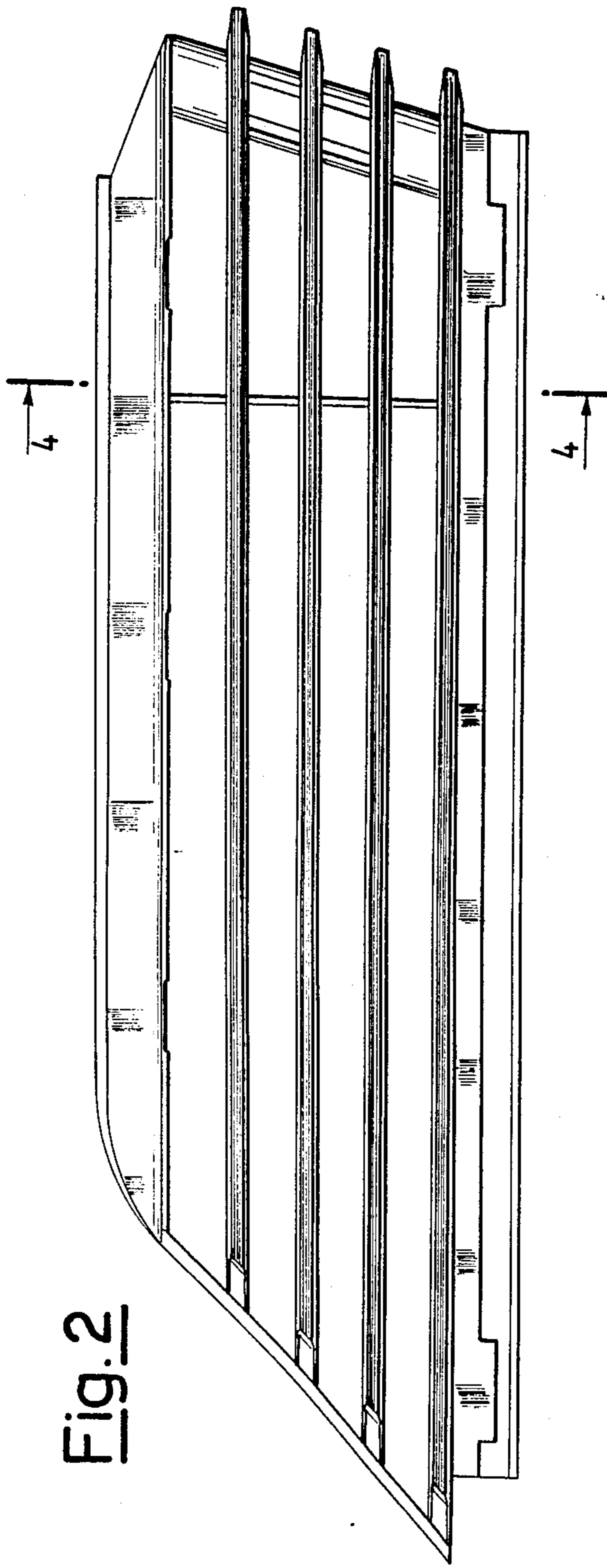


Fig. 2

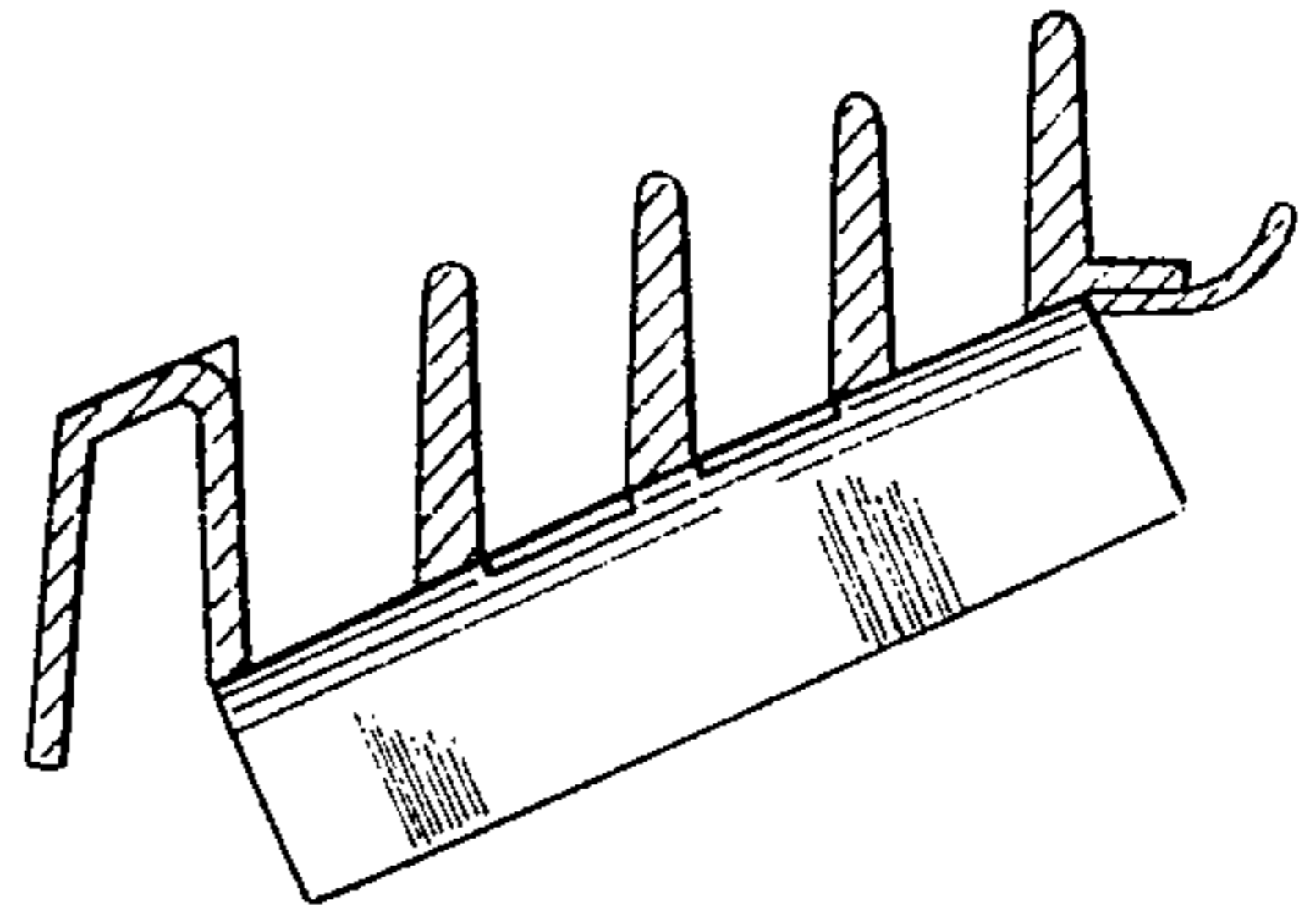


Fig. 4

UNITED STATES PATENT AND TRADEMARK OFFICE
CERTIFICATE OF CORRECTION

PATENT NO. : Des 310,057
DATED : August 21, 1990
INVENTOR(S) : Giorgio GUELF I et al

It is certified that error appears in the above-identified patent and that said Letters Patent is hereby corrected as shown below:

ON TITLE PAGE:

The assignee of record is: ALFA LANCIA INDUSTRIALE S.P.A.
and not ALFA LANCIA INDUSTRIALE S.R.L. as appears in the
document.

Signed and Sealed this
Twenty-ninth Day of September, 1992

Attest:

DOUGLAS B. COMER

Attesting Officer

Acting Commissioner of Patents and Trademarks