

[54] INVALID WALKER

[76] Inventor: Derek L. Dawkins, 1181 Pelican Dr., Memphis, Tenn. 38109

[\*\*] Term: 14 Years

[21] Appl. No.: 147,678

[22] Filed: Jan. 25, 1988

[52] U.S. Cl. .... D12/130

[58] Field of Search ..... D12/128, 130; 297/5, 297/6; 135/67; 272/70.3, 70.4; 280/87.051

[56] References Cited

U.S. PATENT DOCUMENTS

D. 292,076	9/1987	Peters	.....	D12/130
D. 297,524	9/1988	Pope	.....	D12/128
2,374,182	4/1945	Duke	.....	D12/130
4,277,100	7/1981	Beougher	.....	297/5

4,411,283 10/1983 Lucarelli ..... 297/5

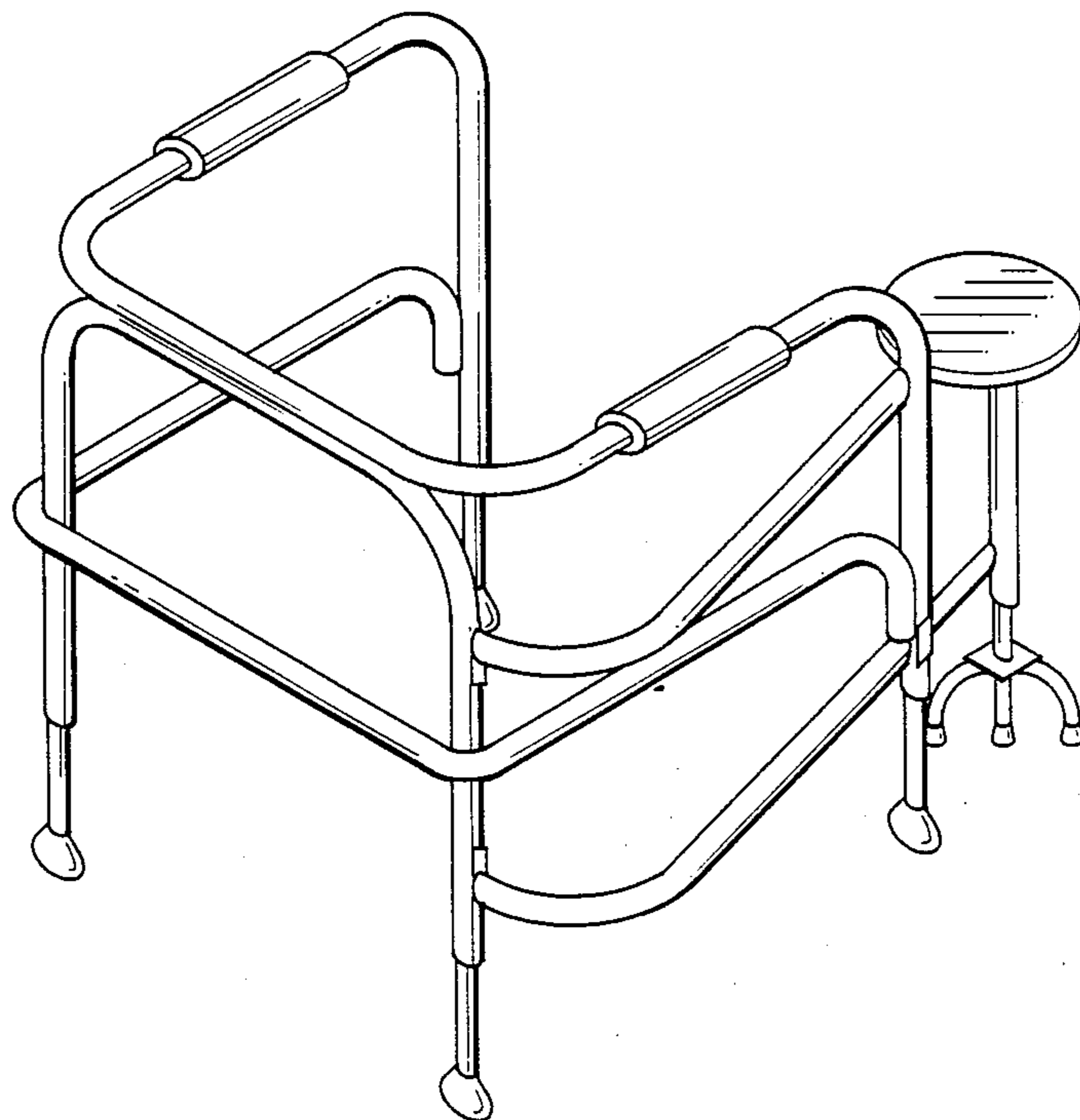
Primary Examiner—Wallace R. Burke  
Assistant Examiner—Kay H. Chin  
Attorney, Agent, or Firm—Jerry T. Kearns

[57] CLAIM

The ornamental design for an invalid walker, as shown and described.

DESCRIPTION

FIG. 1 is a front elevational view of an invalid walker showing my new design;  
FIG. 2 is a rear elevational view thereof;  
FIG. 3 is a left side elevational view thereof;  
FIG. 4 is a right side elevational view thereof;  
FIG. 5 is a top plan view thereof;  
FIG. 6 is a bottom plan view thereof; and,  
FIG. 7 is a top perspective view thereof.



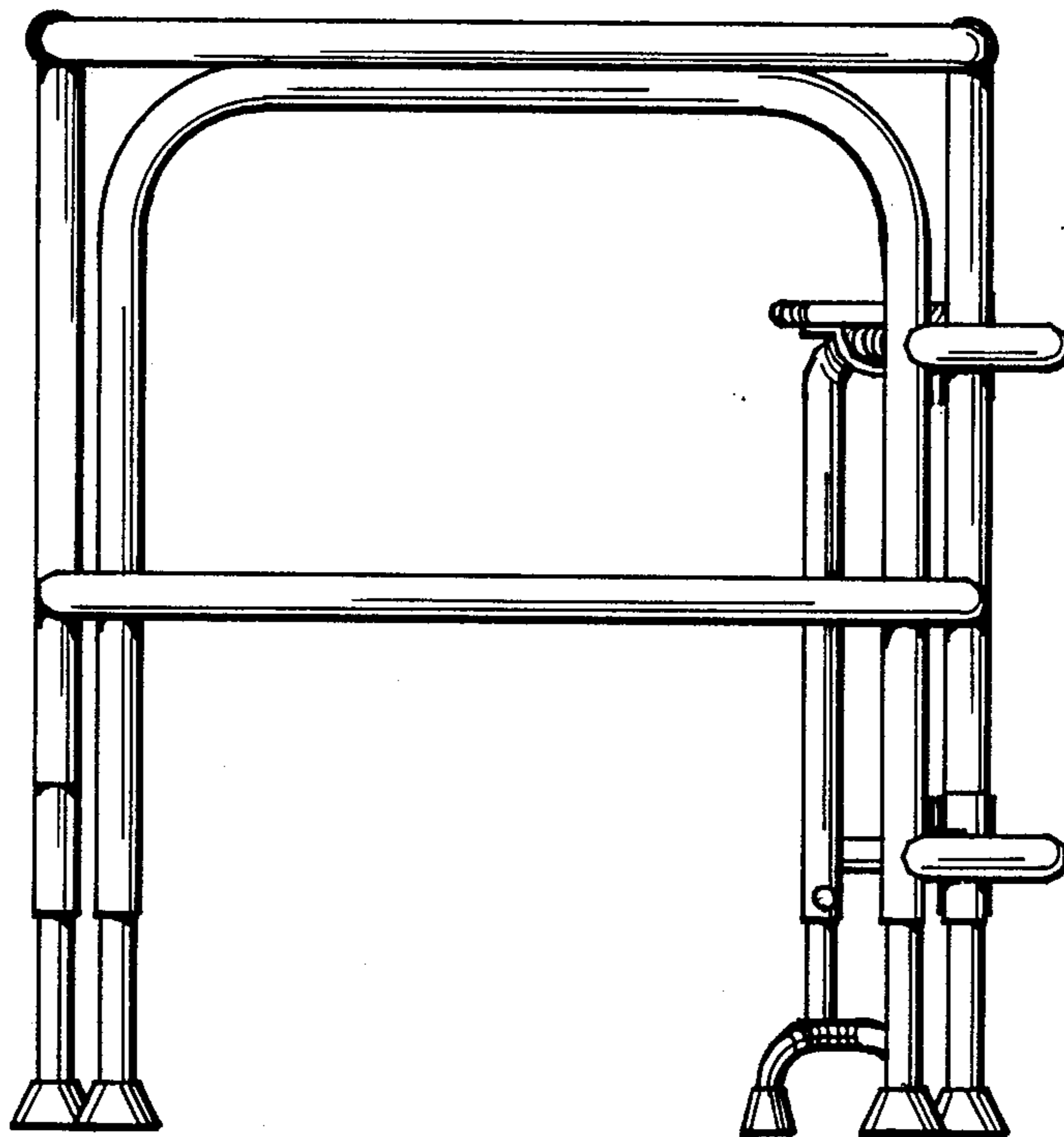


Fig. 1

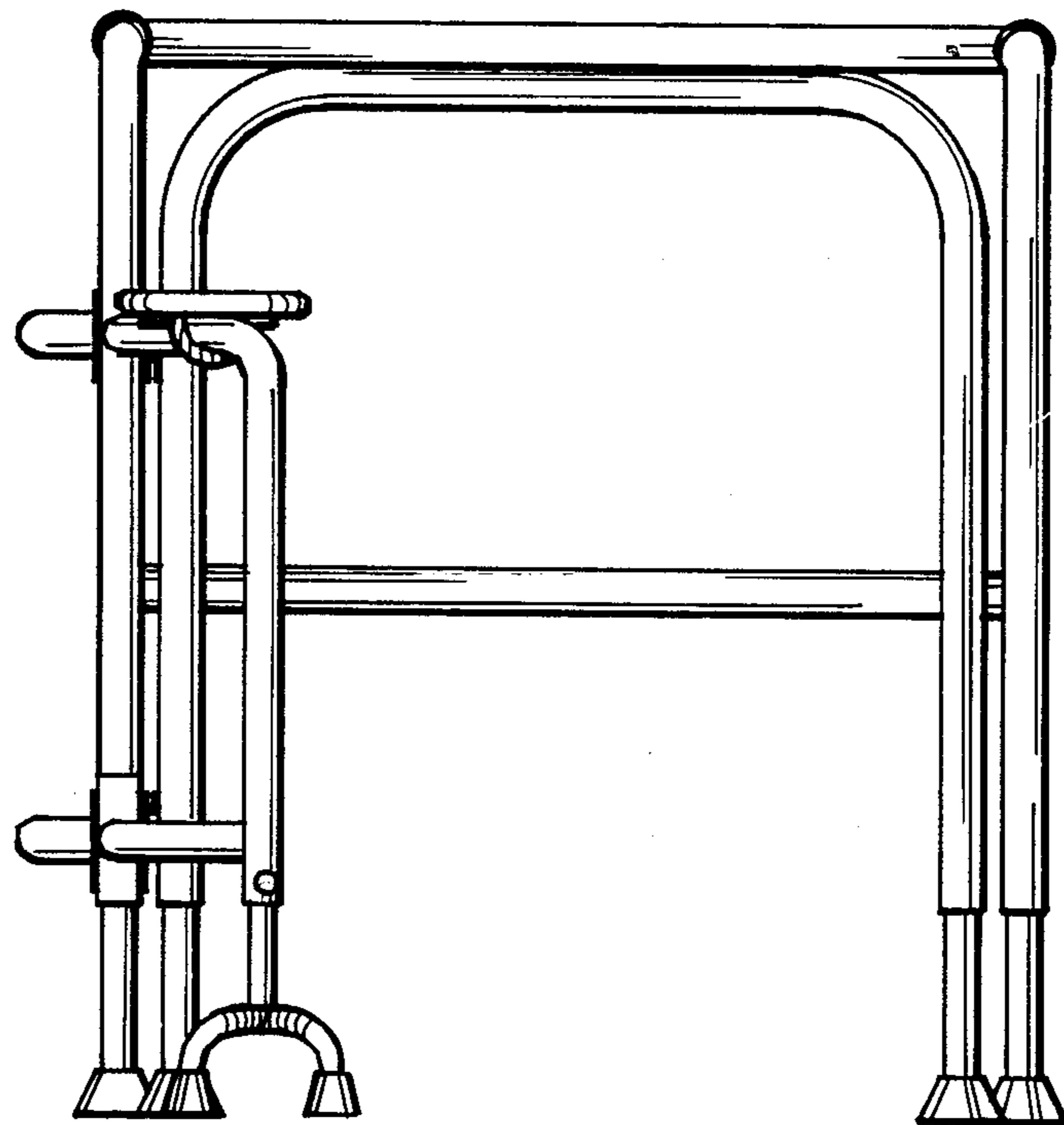


Fig. 2

Fig. 3

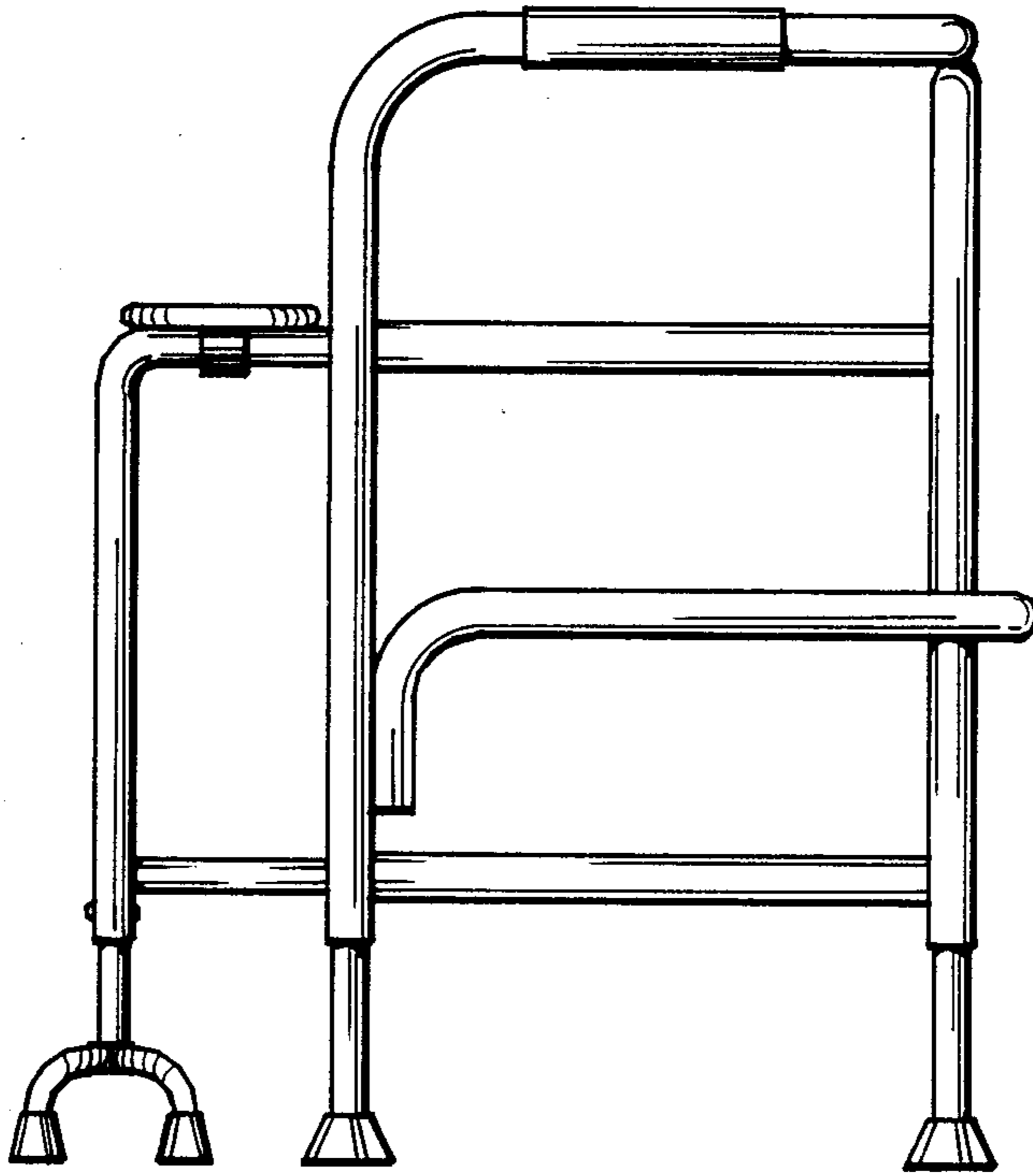


Fig. 4

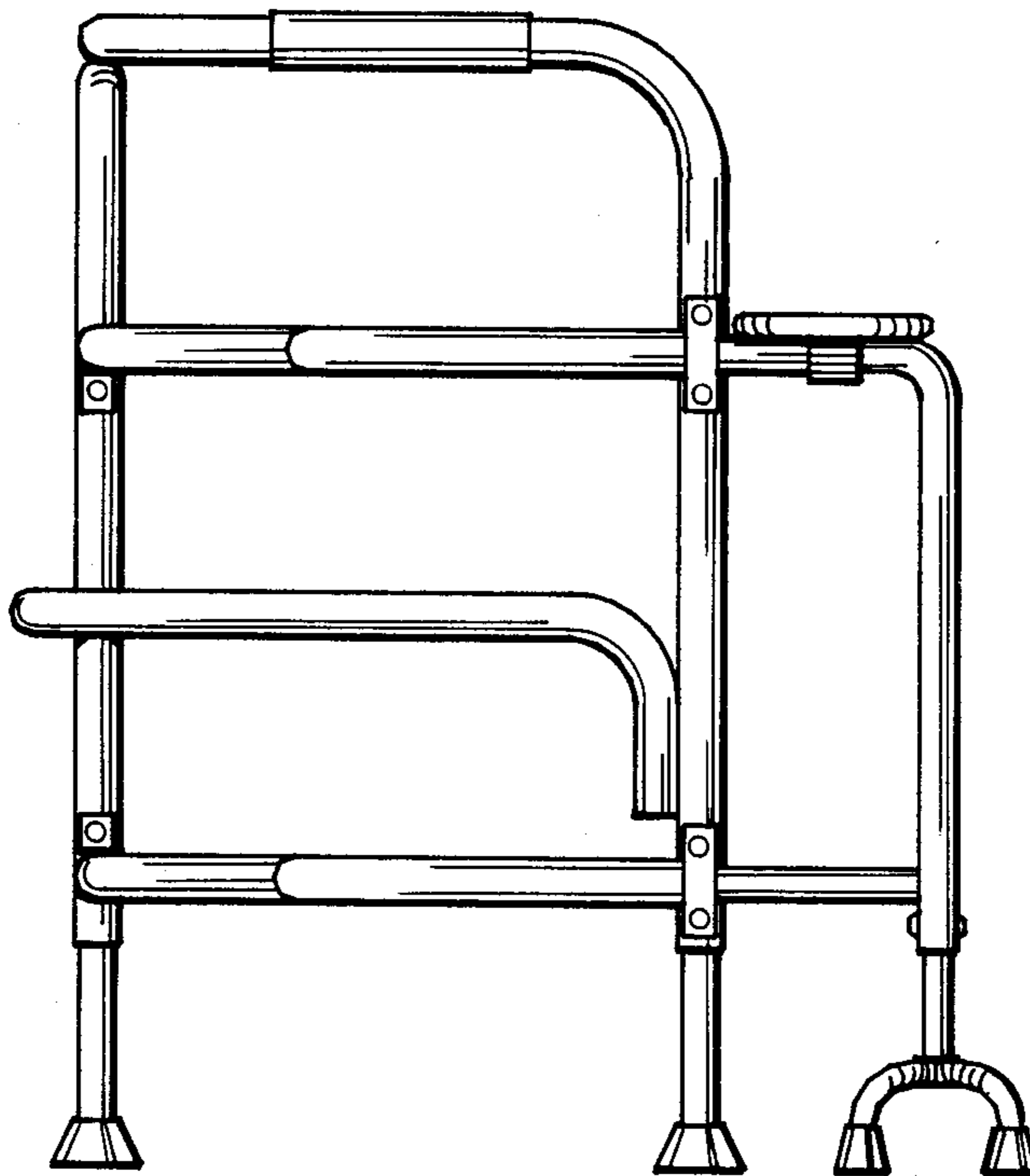


Fig. 5

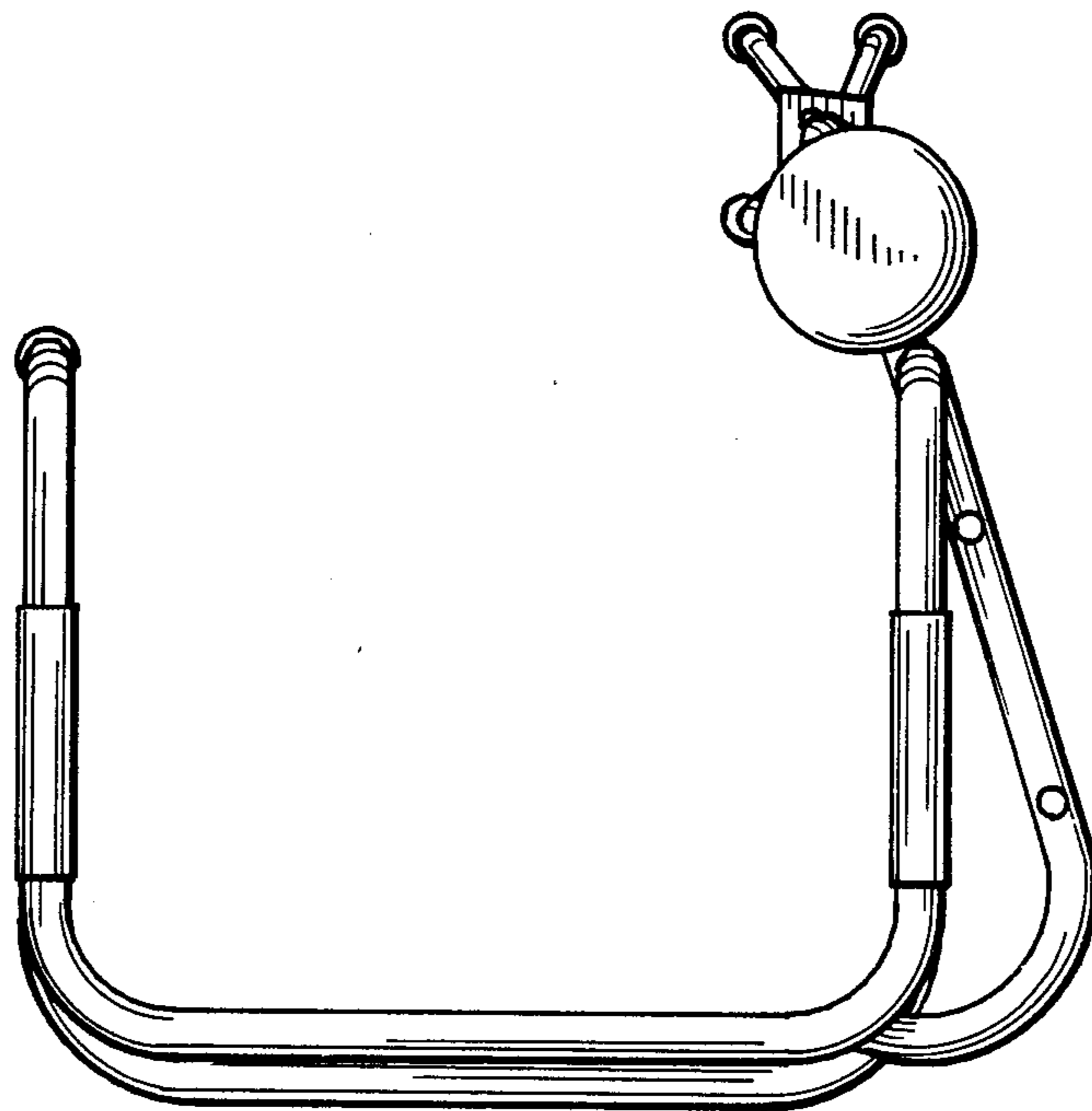
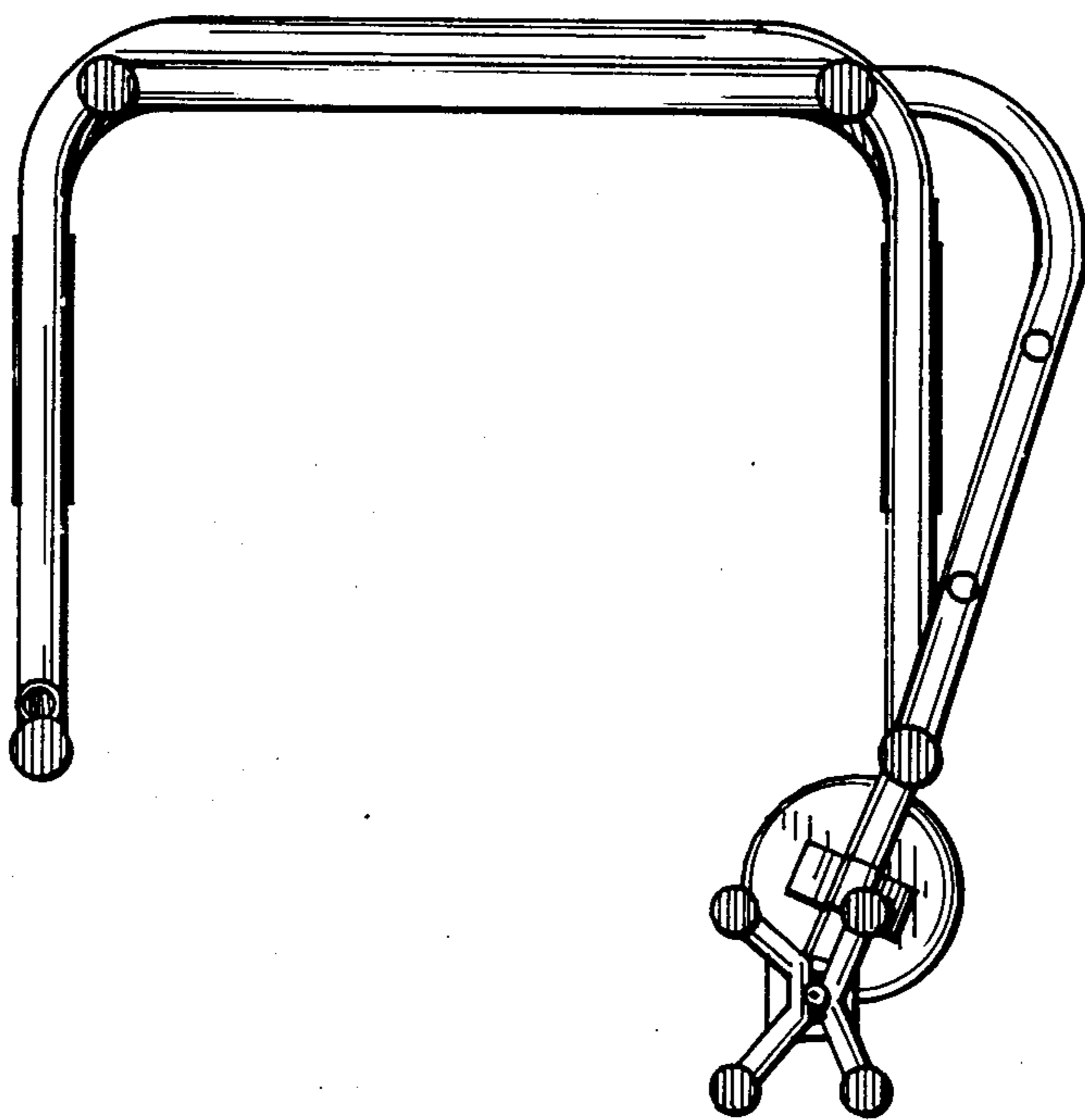


Fig. 6



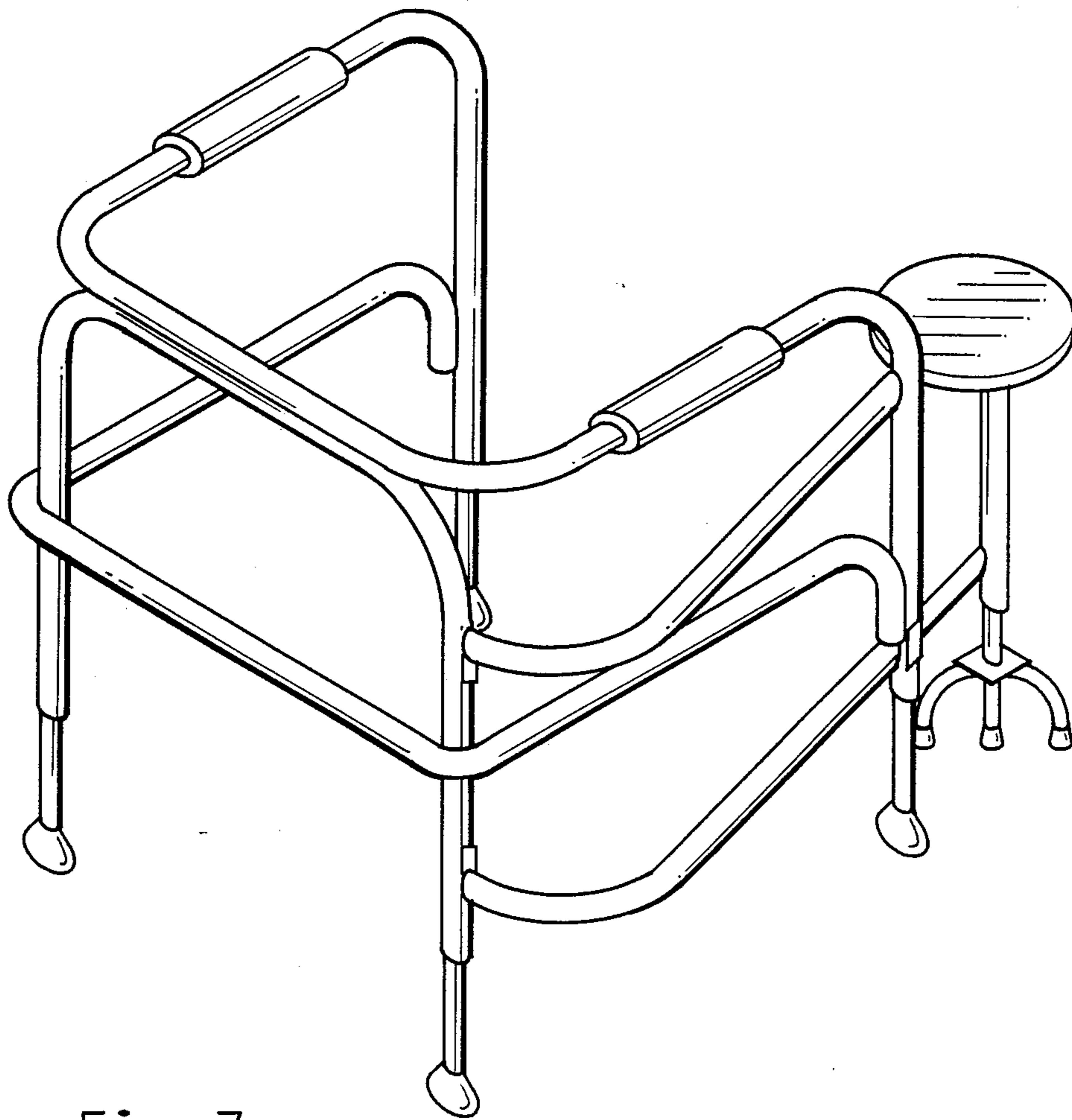


Fig. 7