

[54] ILLUMINATED WARNING SIGNAL FOR VEHICLES

2,922,152 1/1960 DelConte ..... 340/473  
3,078,452 2/1963 Olson ..... D26/42  
4,328,481 5/1982 Sexton ..... 340/473 X

[76] Inventor: Wilbur L. Vance, Sr., 5634 Arch St., Philadelphia, Pa. 19139

Primary Examiner—Susan J. Lucas  
Assistant Examiner—M. H. Tung  
Attorney, Agent, or Firm—Jerry T. Kearns

[\*\*] Term: 14 Years

[57] CLAIM

[21] Appl. No.: 118,641

The ornamental design for a illuminated warning signal for vehicles, as shown and described.

[22] Filed: Nov. 9, 1987

[52] U.S. Cl. .... D10/114

DESCRIPTION

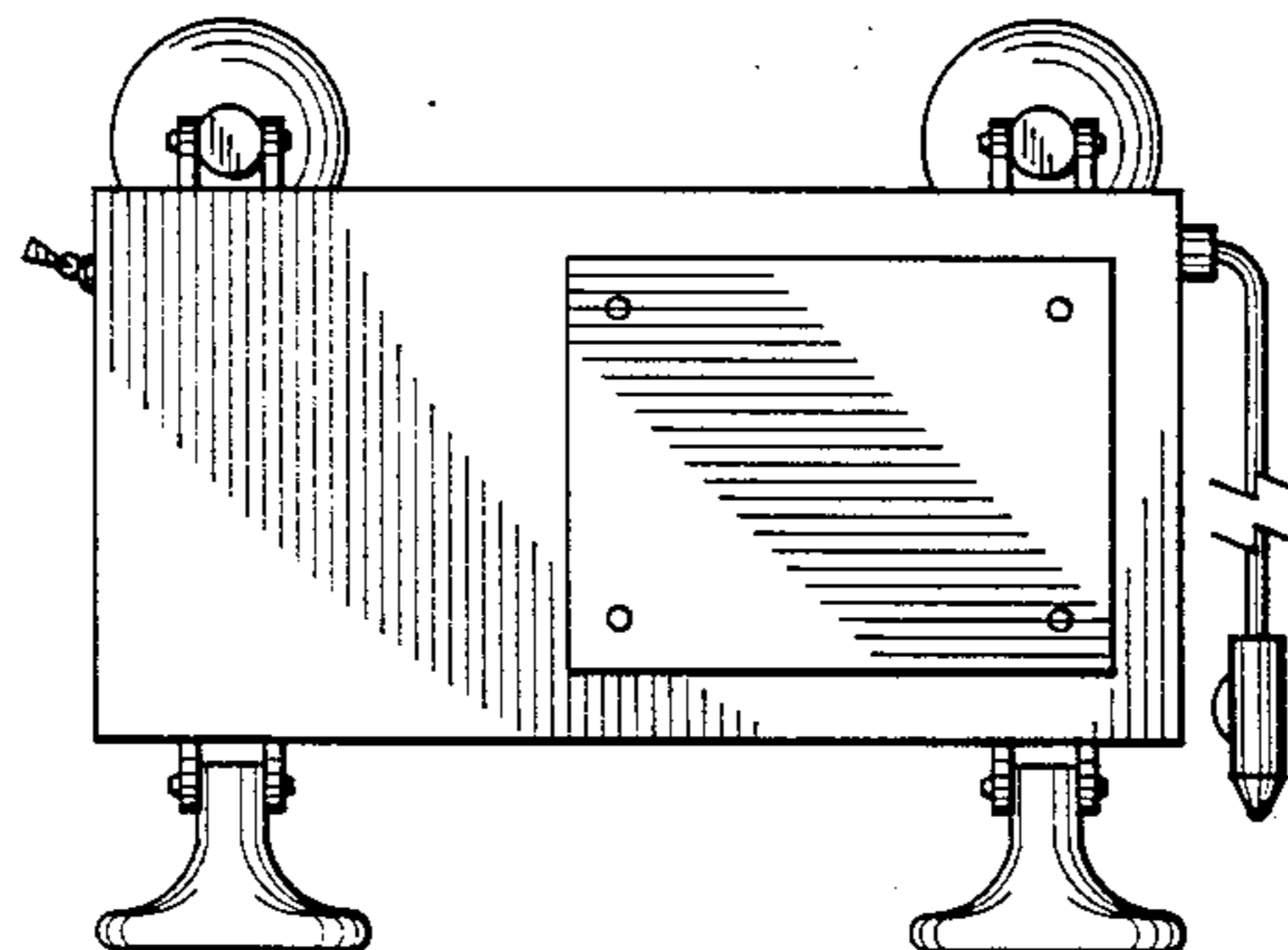
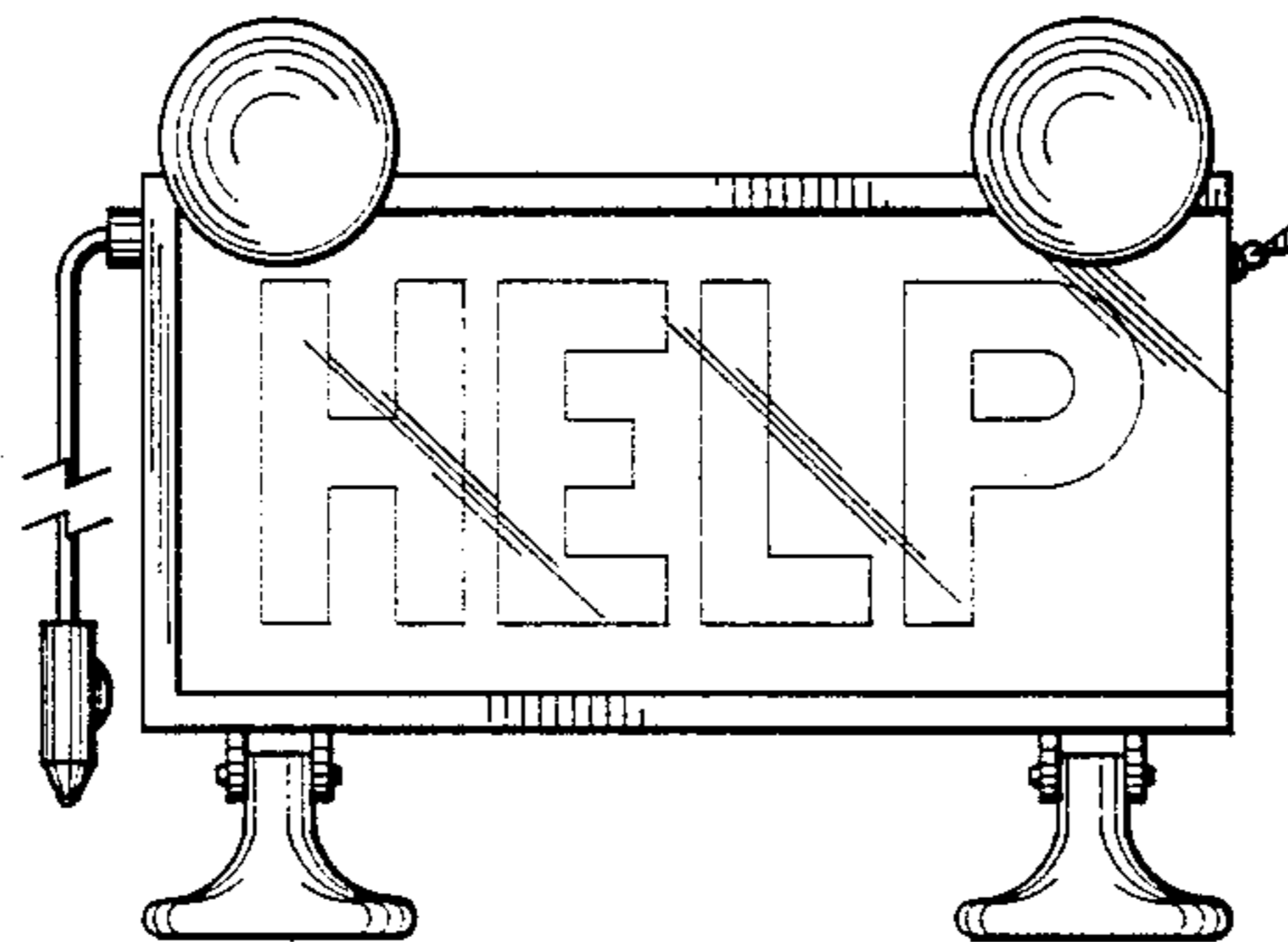
[58] Field of Search ..... D26/37-50;  
362/157-158, 183-208, 397; D10/114;  
340/471, 473

FIG. 1 is a front elevational view of a illuminated warn-  
ing signal for vehicles showing my new design;  
FIG. 2 is a rear elevational view thereof;  
FIG. 3 is a left side elevational view thereof;  
FIG. 4 is a right side elevational view thereof;  
FIG. 5 is a top plan view thereof; and,  
FIG. 6 is a bottom plan view thereof.

[56] References Cited

U.S. PATENT DOCUMENTS

2,856,598 10/1958 Bokair ..... 340/473



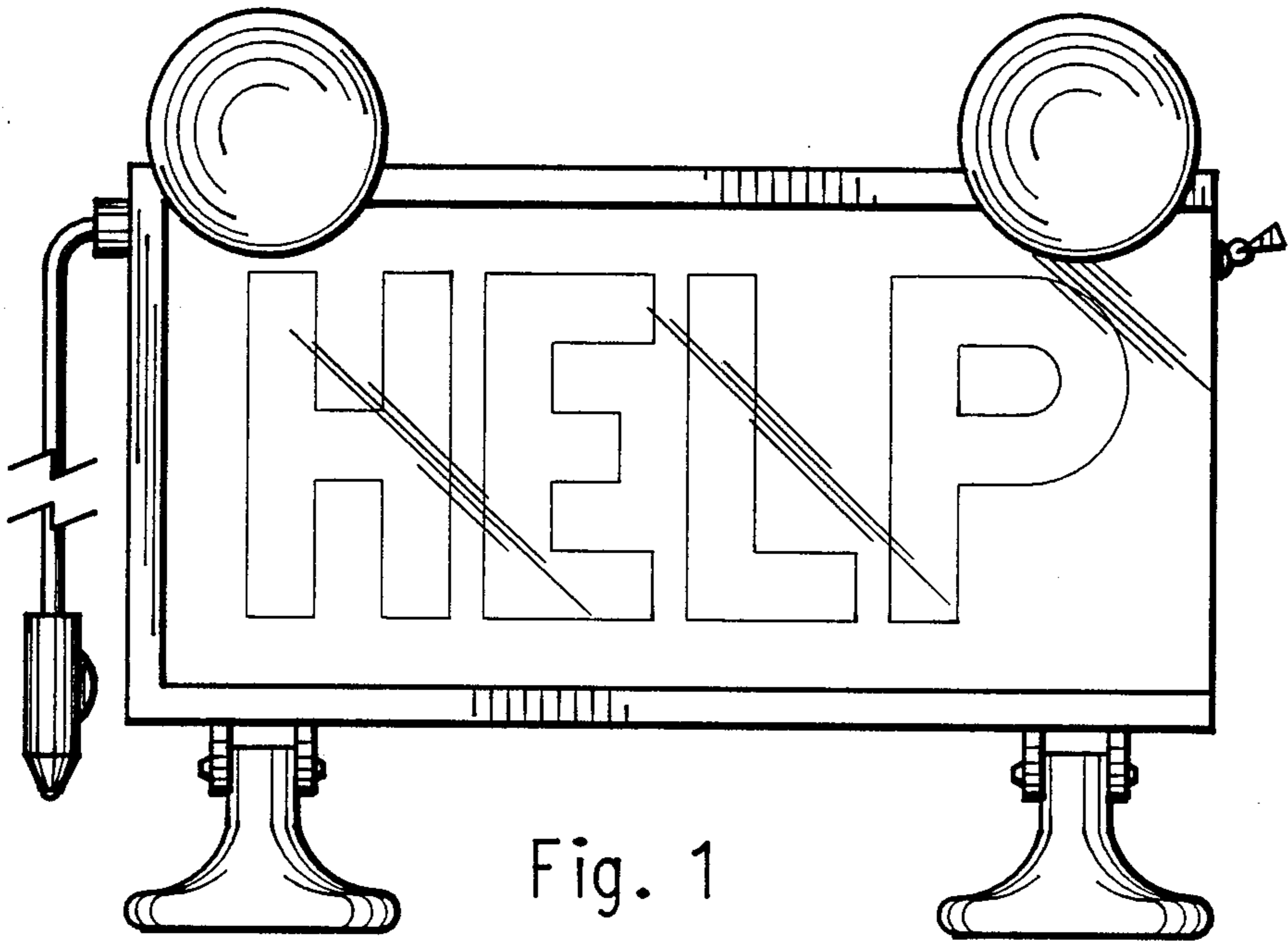


Fig. 1

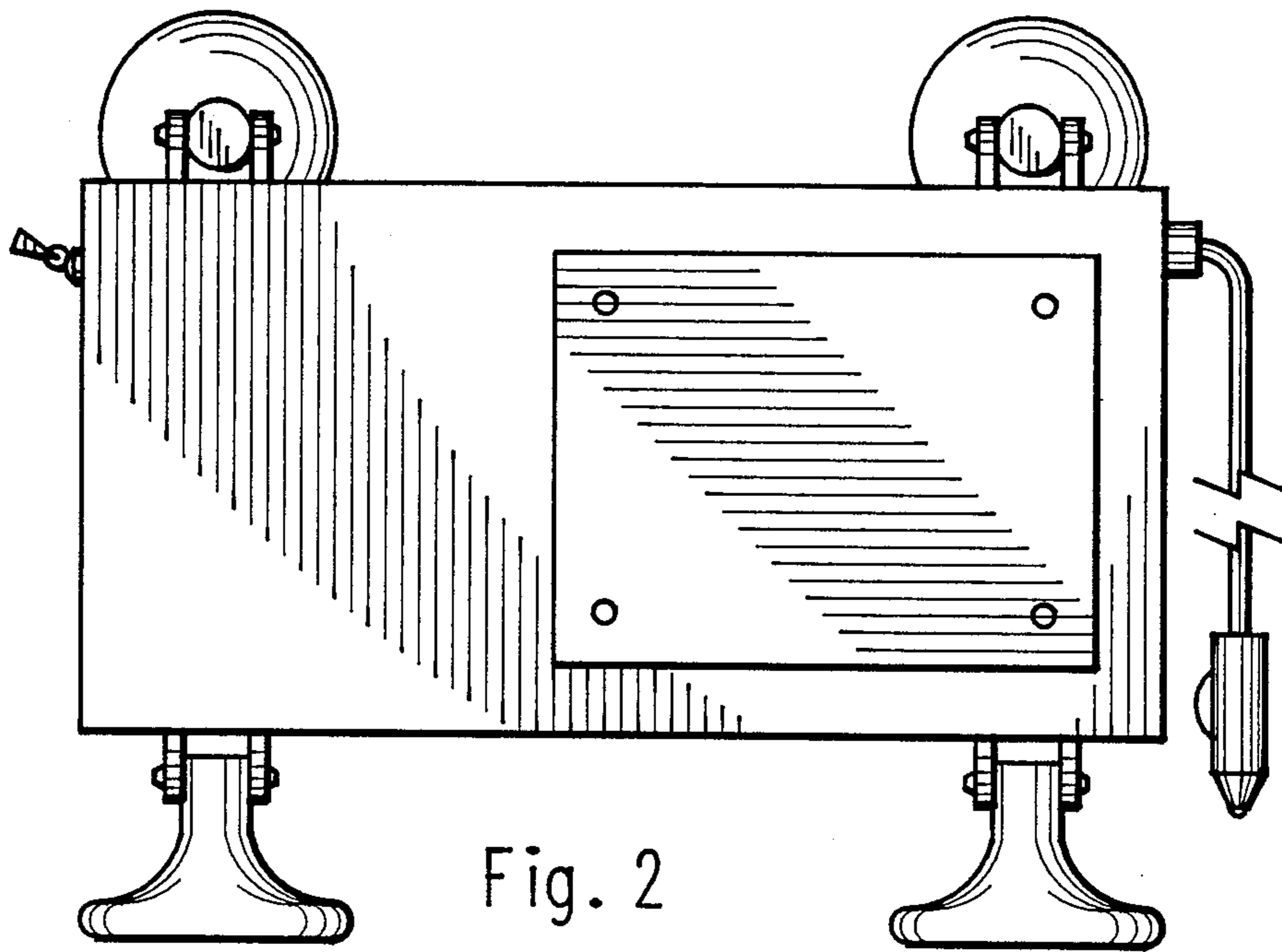


Fig. 2

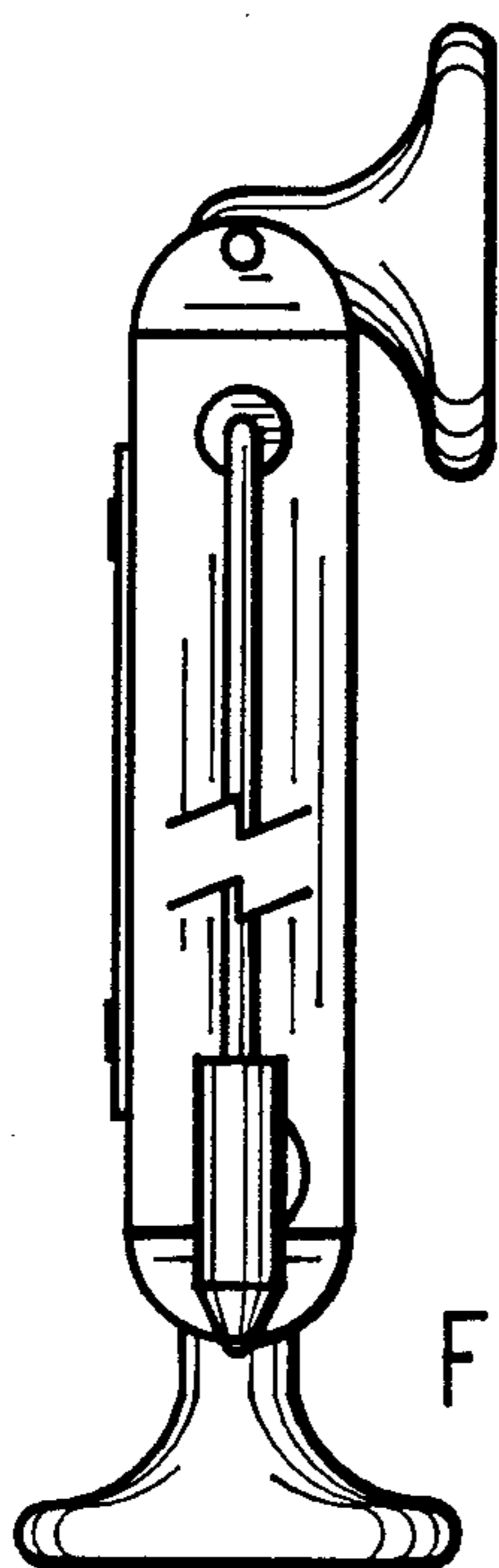


Fig. 3

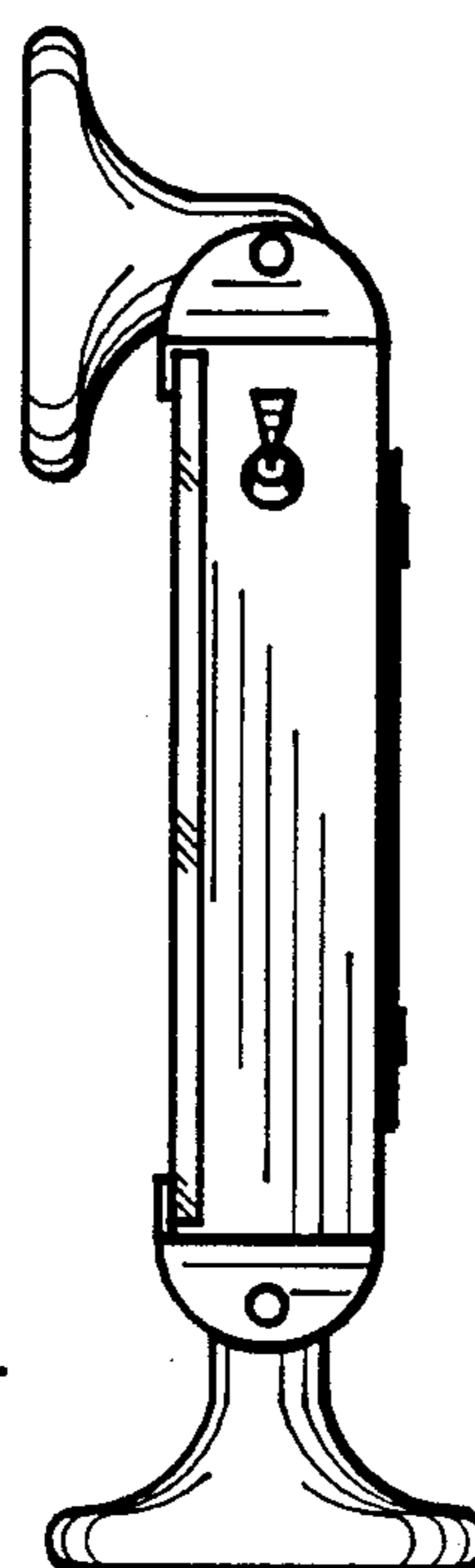


Fig. 4

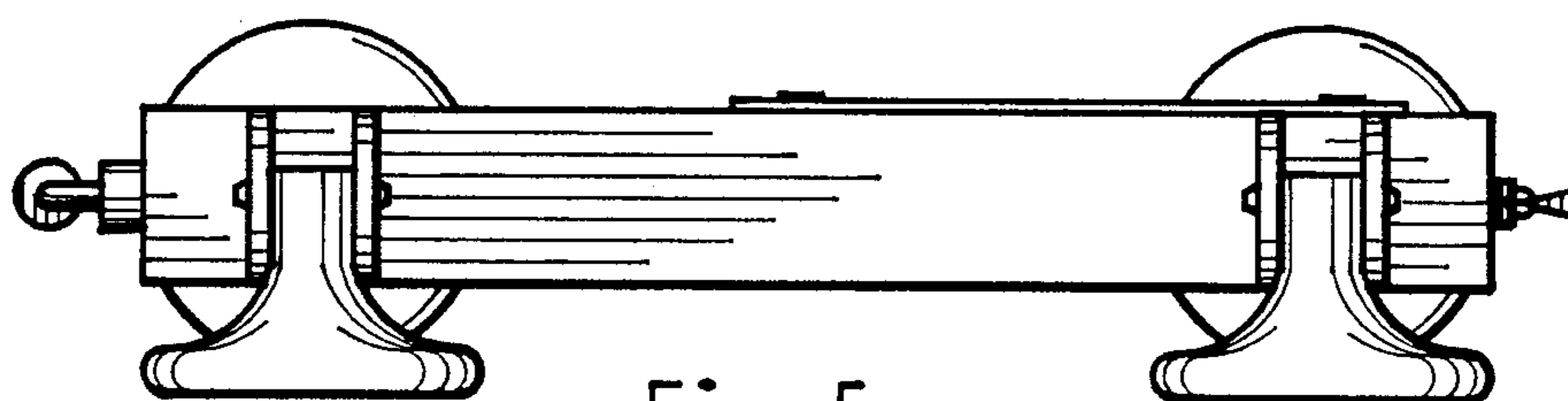


Fig. 5

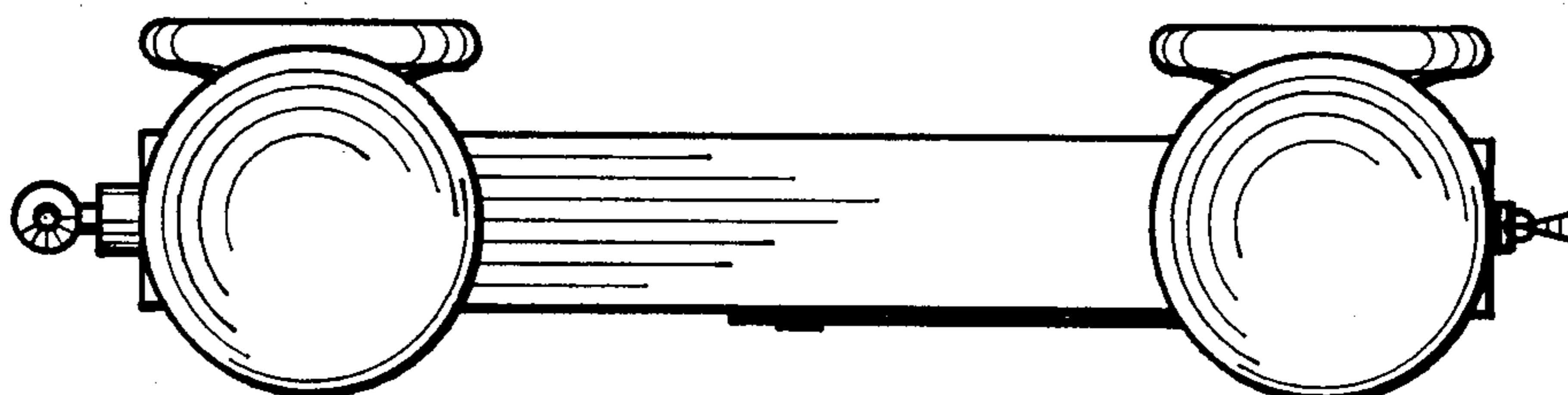


Fig. 6