

[54] MAGNETIC MEASURING SCALE ACCESSORY

[75] Inventor: Kazuo Nagaoka, Yokohama, Japan
[73] Assignee: Sony Magnescale, Inc., Tokyo, Japan
[**] Term: 14 Years

[21] Appl. No.: 18,001
[22] Filed: Feb. 24, 1987

[30] Foreign Application Priority Data

Aug. 27, 1986 [JP] Japan 61-33403
[52] U.S. Cl. D10/74
[58] Field of Search D10/46, 75, 77, 78, D10/79, 80, 70, 74; 33/125.00 R, 208, 700, 708

[56] References Cited

U.S. PATENT DOCUMENTS

4,170,068 10/1979 Forsman 33/709
4,314,383 2/1982 Epstein D10/78 X
4,400,890 8/1983 Ohkubo et al. 33/708

4,484,391 11/1984 Narimatsu 33/708
4,649,648 3/1987 Nagaoka et al. 33/700
4,843,729 7/1989 Nagaoka et al. 33/708

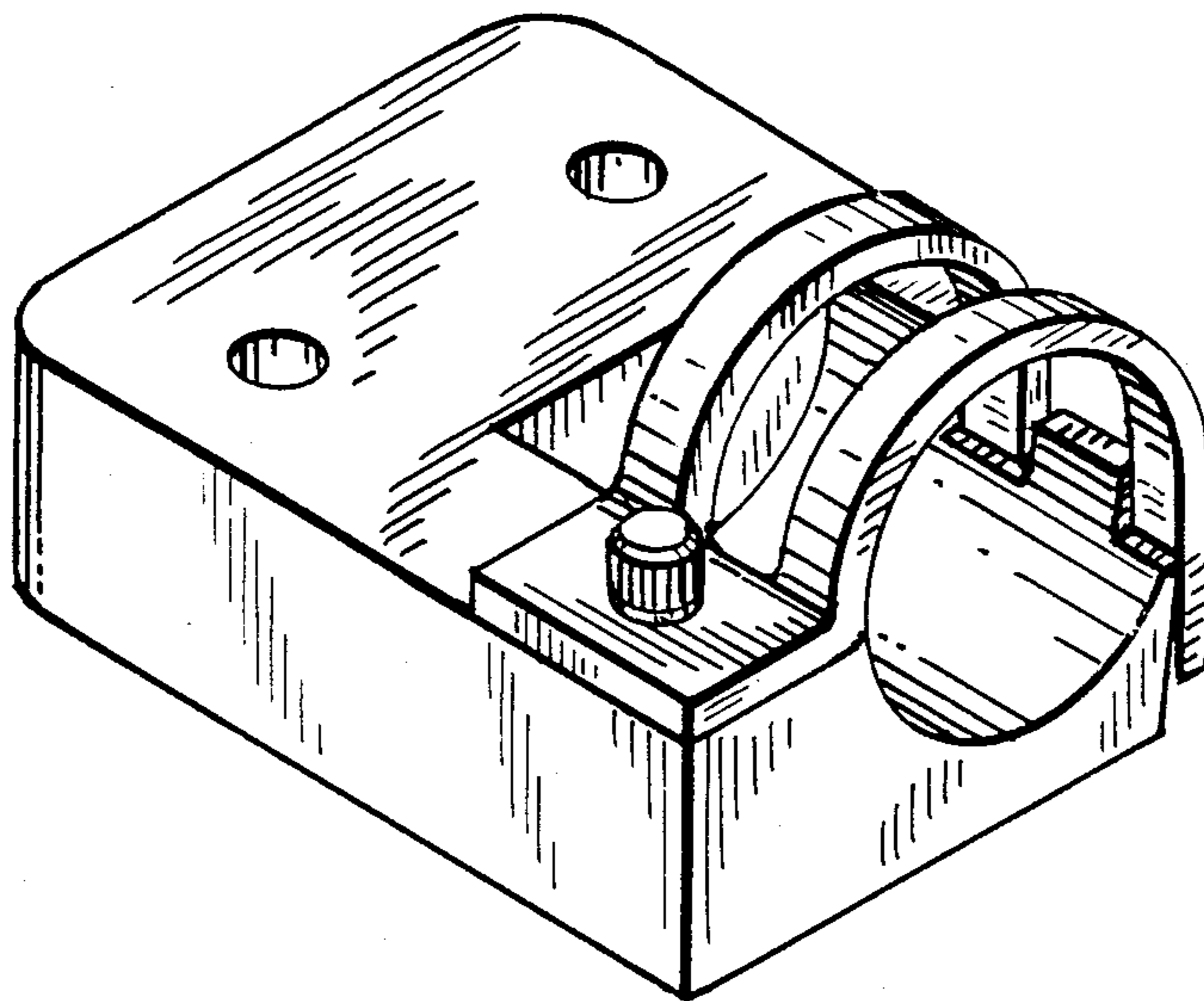
Primary Examiner—Nelson C. Holtje
Assistant Examiner—Antoine D. Davis
Attorney, Agent, or Firm—Lewis H. Eslinger; Jay H. Maioli

[57] CLAIM

The ornamental design for a magnetic measuring scale accessory, as shown and described.

DESCRIPTION

FIG. 1 is a top, front and left side perspective view of a magnetic measuring scale accessory showing my new design;
FIG. 2 is a left side elevational view;
FIG. 3 is a right side elevational view;
FIG. 4 is a front elevational view;
FIG. 5 is a rear elevational view;
FIG. 6 is a top plan view; and
FIG. 7 is a bottom plan view thereof.



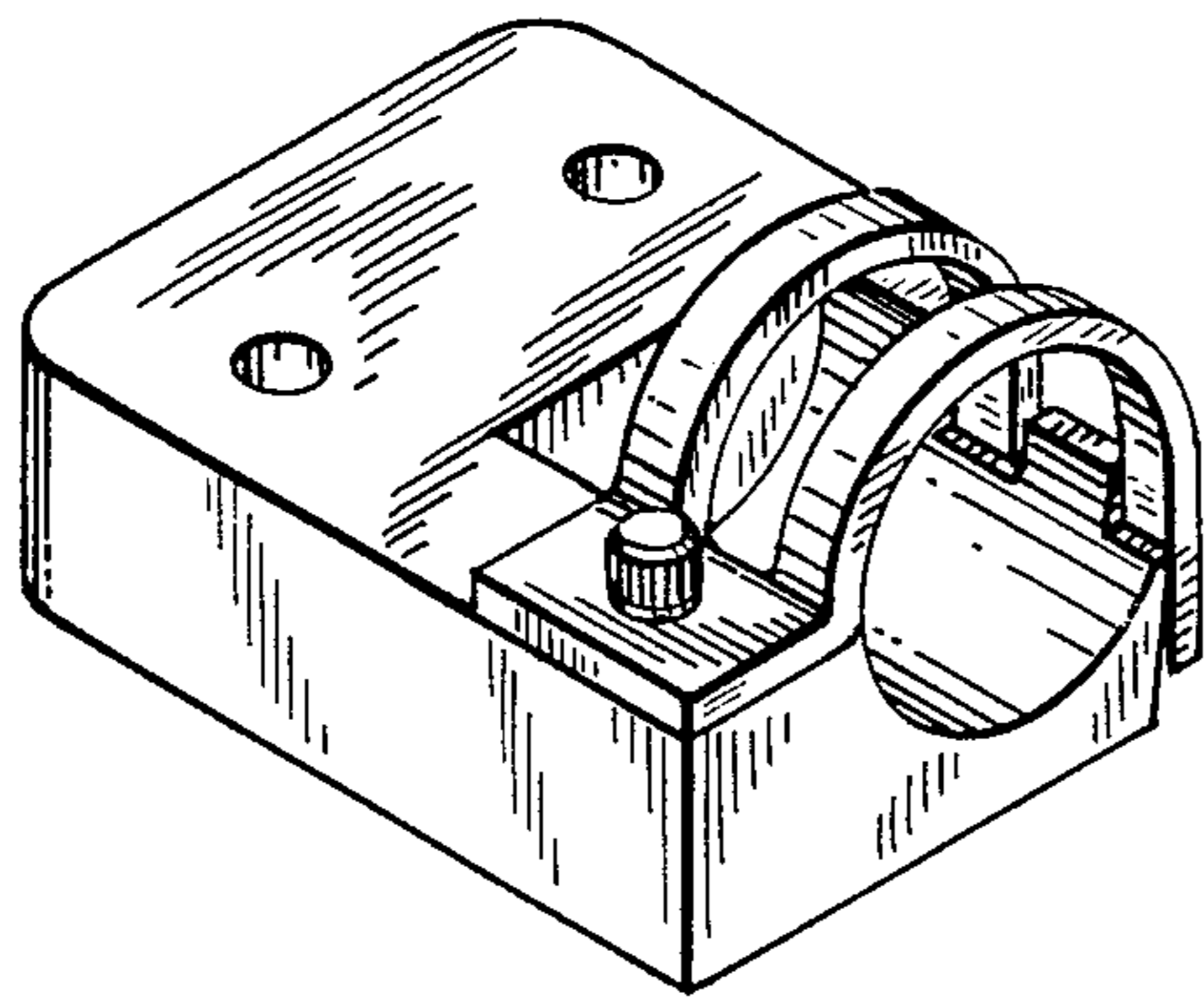


FIG. 1

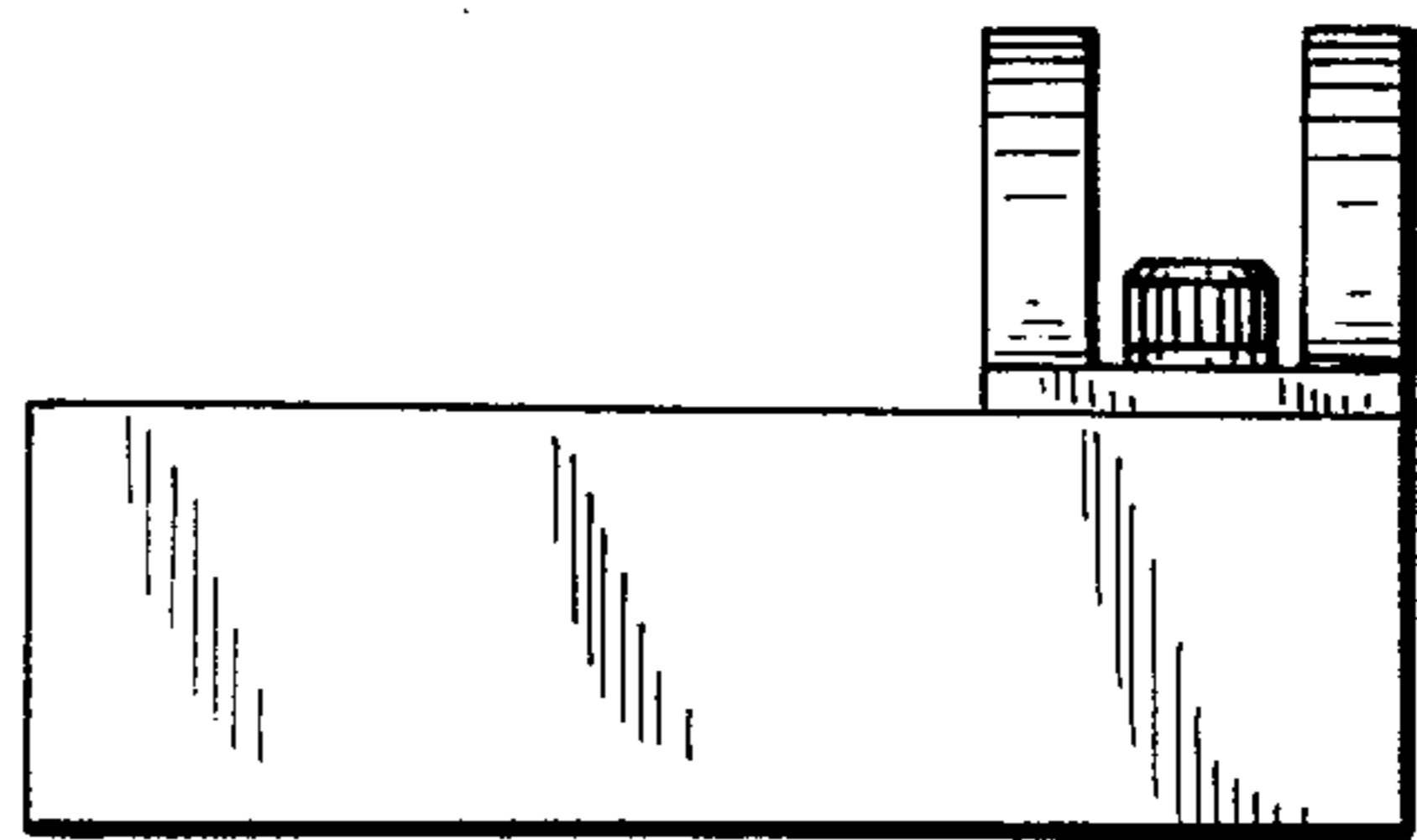


FIG. 2

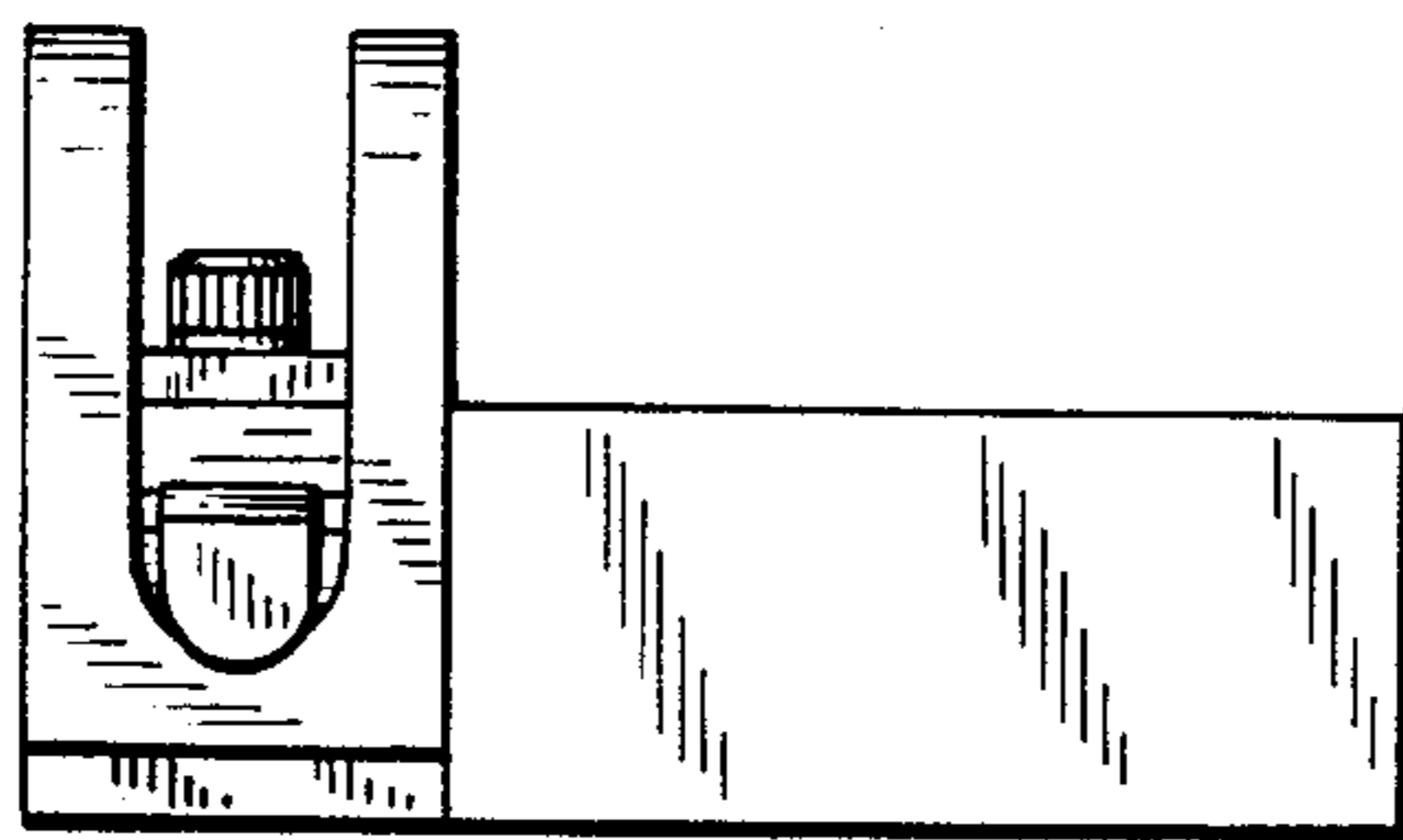


FIG. 3

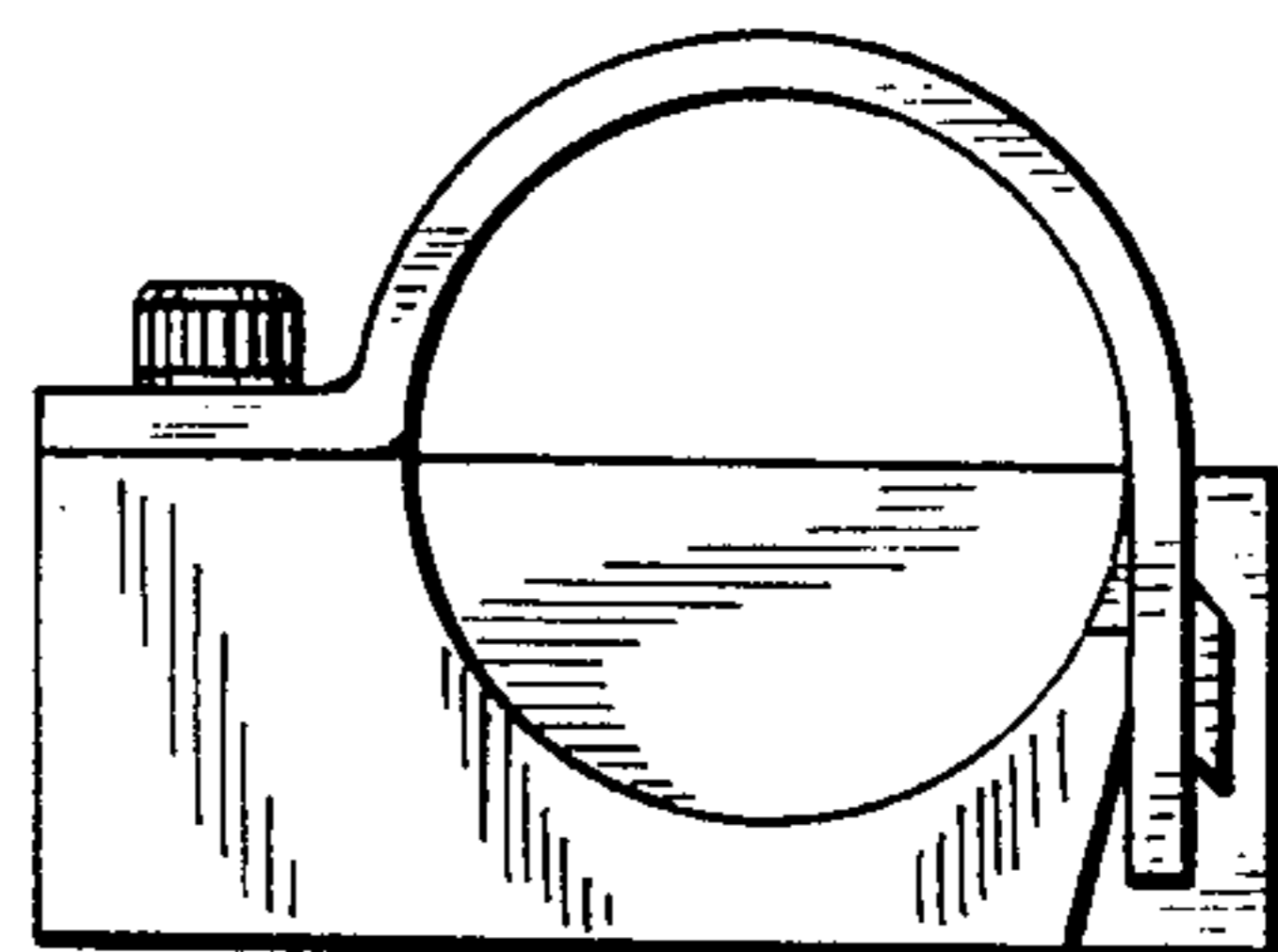


FIG. 4

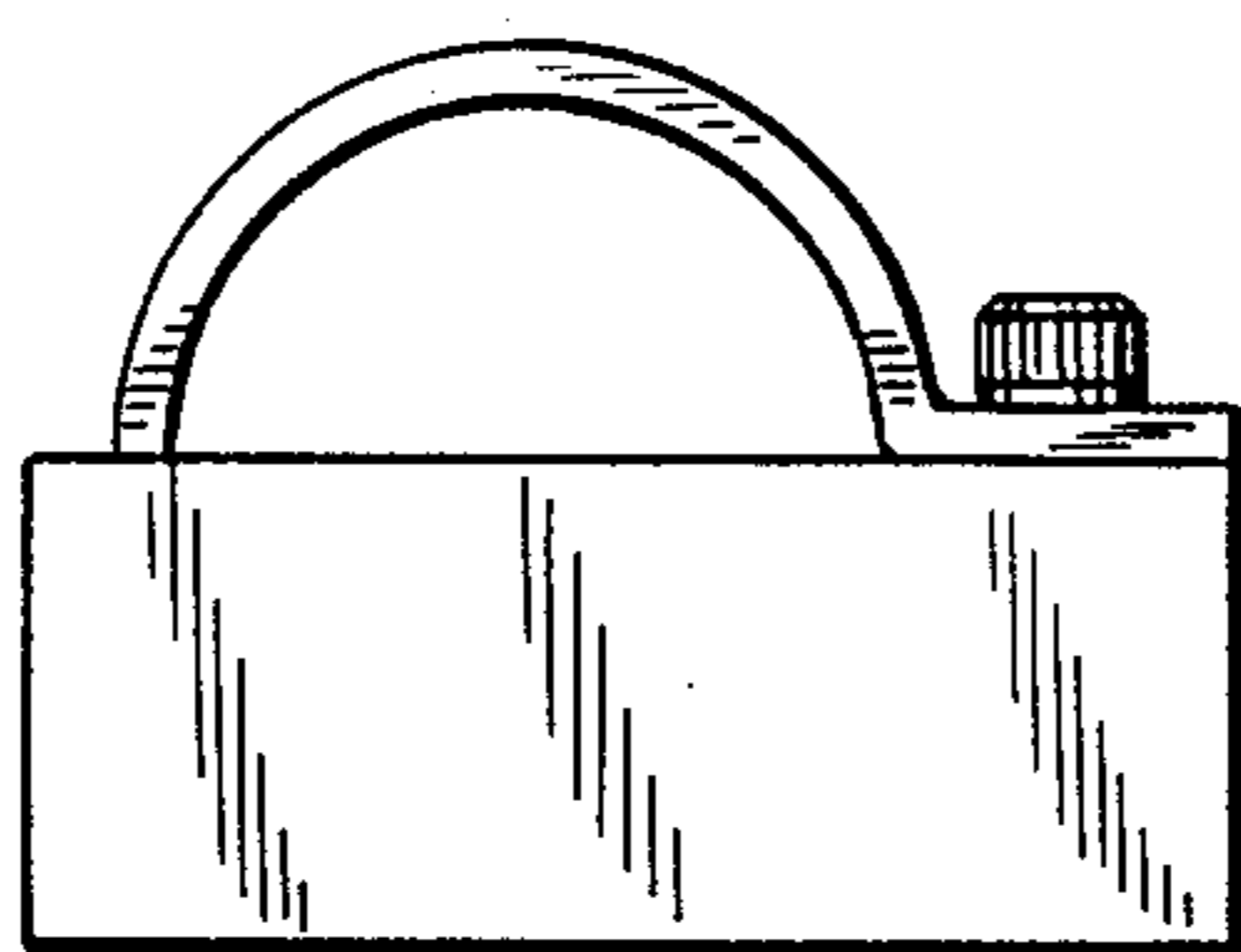


FIG. 5

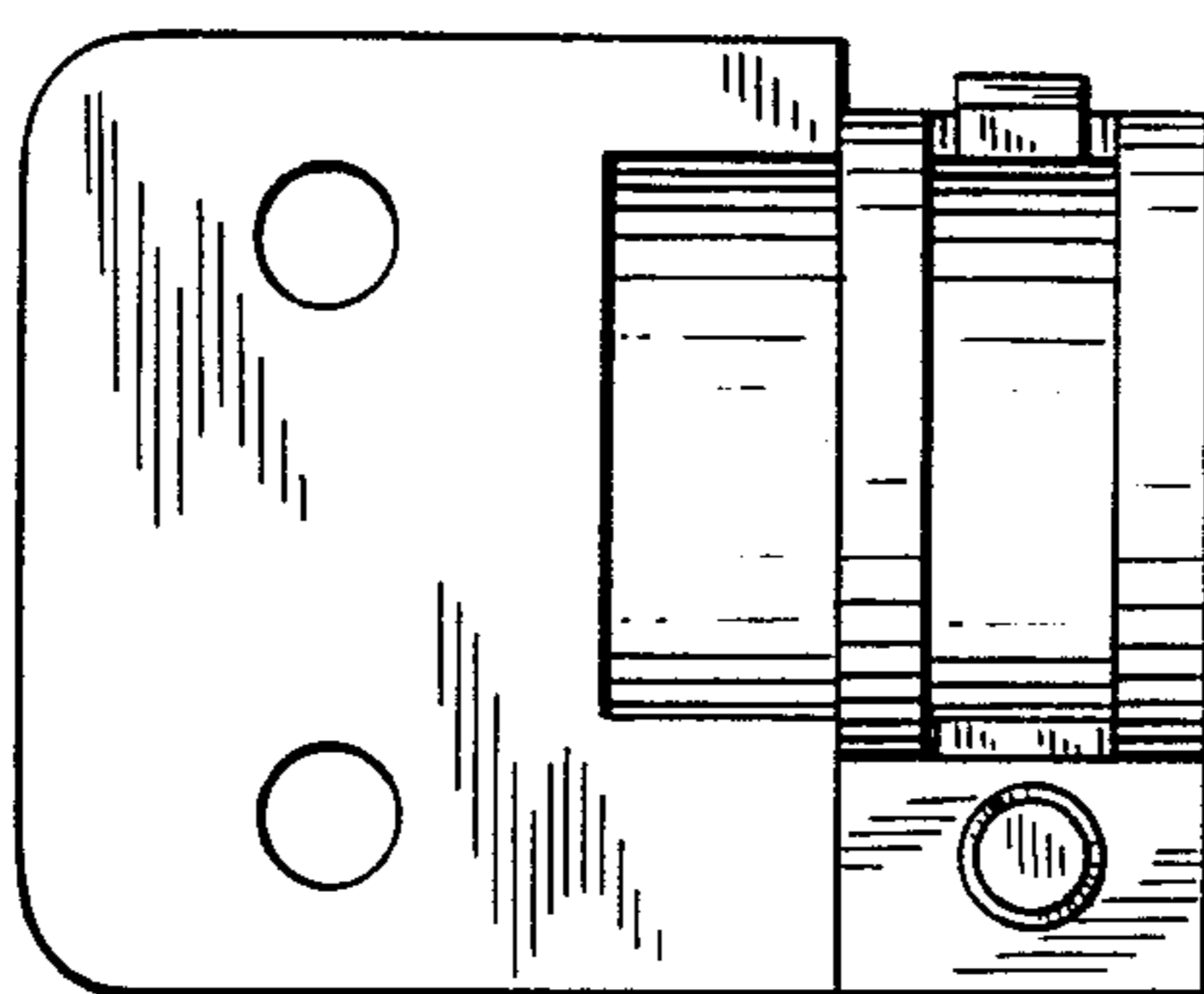


FIG. 6

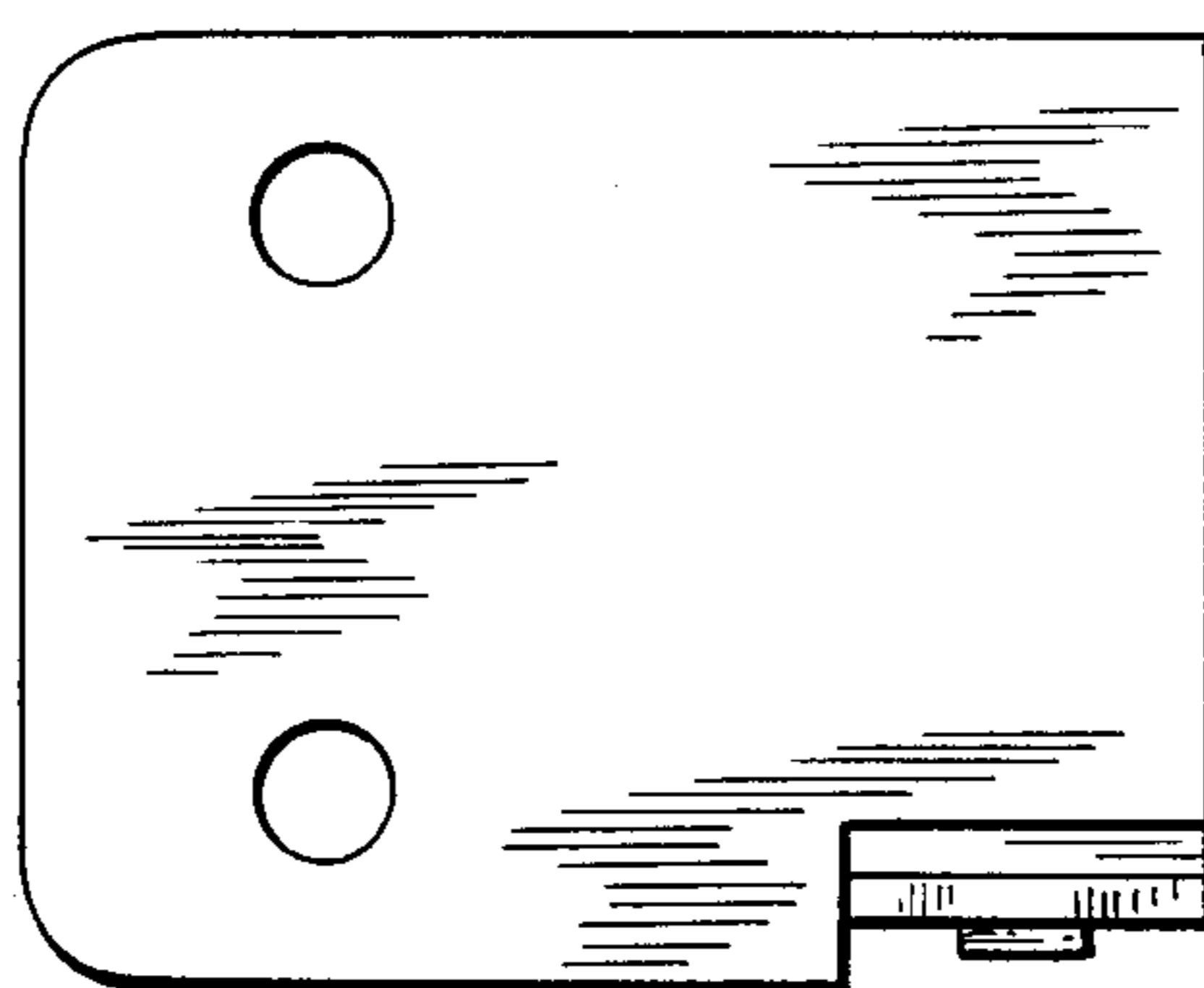


FIG. 7