

[54] INSTRUMENT FOR MEASURING TUMORS

[76] Inventors: David S. Alberts, 250 N. Indian Horse Rd., Tucson, Ariz. 85711; Robert T. Dorr, 1130 S. Avenida Conalea, Tucson, Ariz. 85718

[**] Term: 14 Years

[21] Appl. No.: 36,245

[22] Filed: Apr. 9, 1987

[52] U.S. Cl. D10/73; D24/17

[58] Field of Search D10/70, 71, 72, 73, D10/74; D19/36; D24/8, 23, 29; 33/783, 794, 795, 796, 797, 798, 799, 800, 801, 802, 810, 811, 812, 813, 814, 821, 822, 823, 824, 828, 829, 830, 512

[56] References Cited

U.S. PATENT DOCUMENTS

D. 207,553	5/1967	Yamamoto	D10/73
D. 250,578	12/1978	Onuma	D10/73
D. 264,824	6/1982	Sandel	D10/71
3,769,712	11/1973	Hong	33/813
4,228,590	10/1980	Kimura	33/765

4,233,743	11/1980	Flick	33/512
4,606,128	8/1986	Wyrwich et al.	33/802
4,726,121	2/1988	Ray et al.	33/512

FOREIGN PATENT DOCUMENTS

738779	12/1932	France	33/813
14951	of 1905	United Kingdom	33/759

Primary Examiner—Nelson C. Holtje
Assistant Examiner—Antoine D. Davis
Attorney, Agent, or Firm—Marshall, O'Toole, Gerstein, Murray & Bicknell

[57] CLAIM

The ornamental design for an instrument for measuring tumors, as shown and described.

DESCRIPTION

FIG. 1 is a right side elevational view of an instrument for measuring tumors showing our new design; FIG. 2 is a top plan view; FIG. 3 is a bottom plan view; FIG. 4 is a left side elevational view; FIG. 5 is a front elevational view; and FIG. 6 is a rear elevational view thereof.

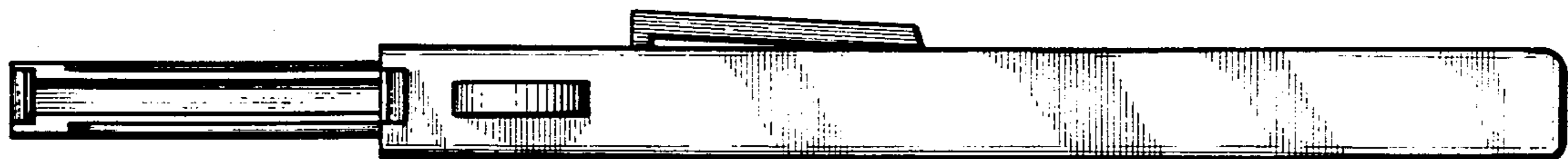
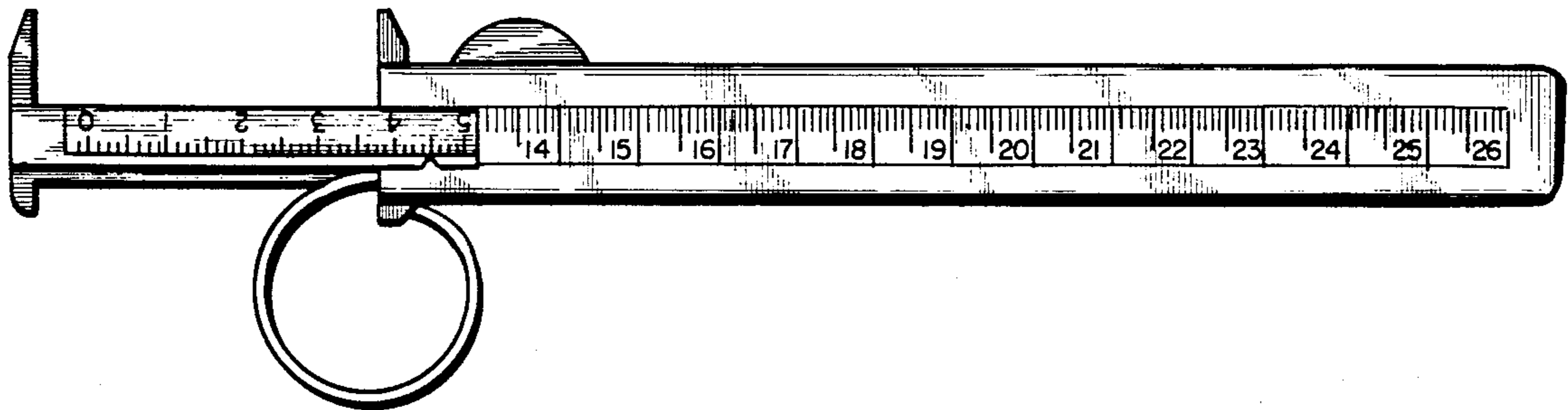


FIG. 1

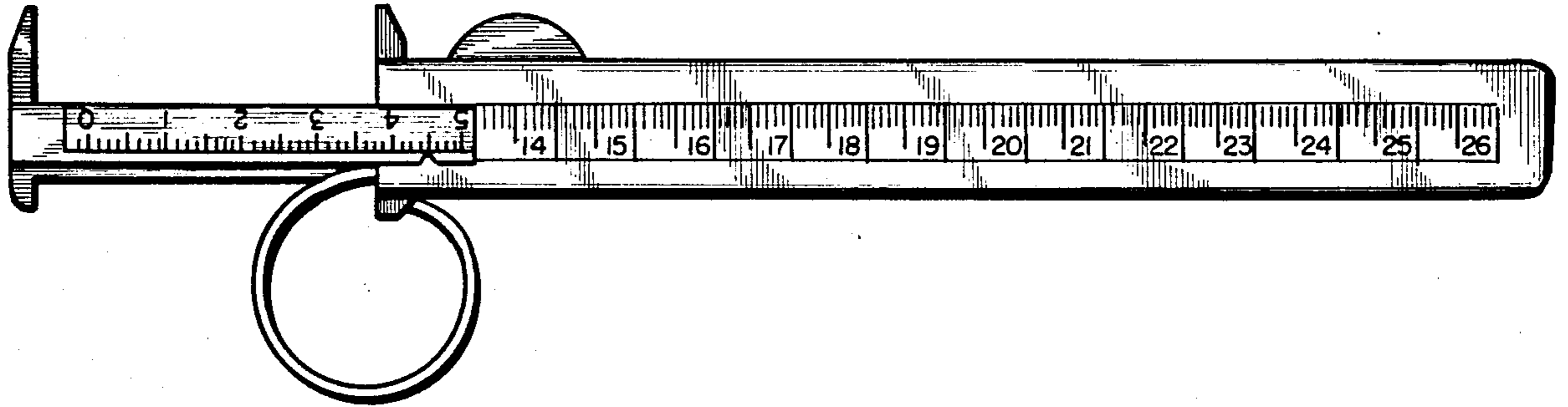


FIG. 2

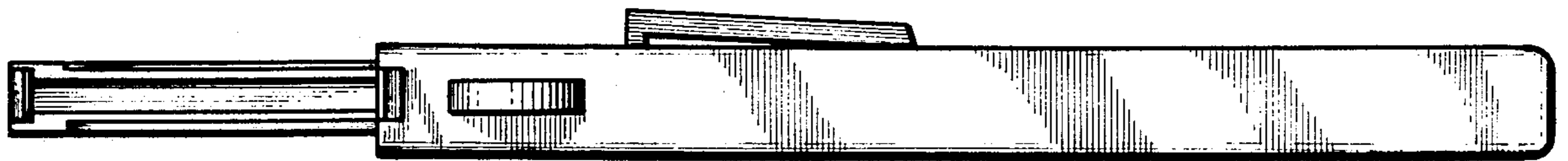


FIG. 3

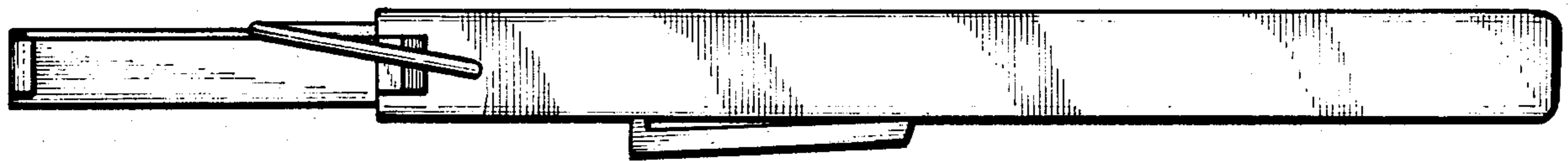


FIG. 4

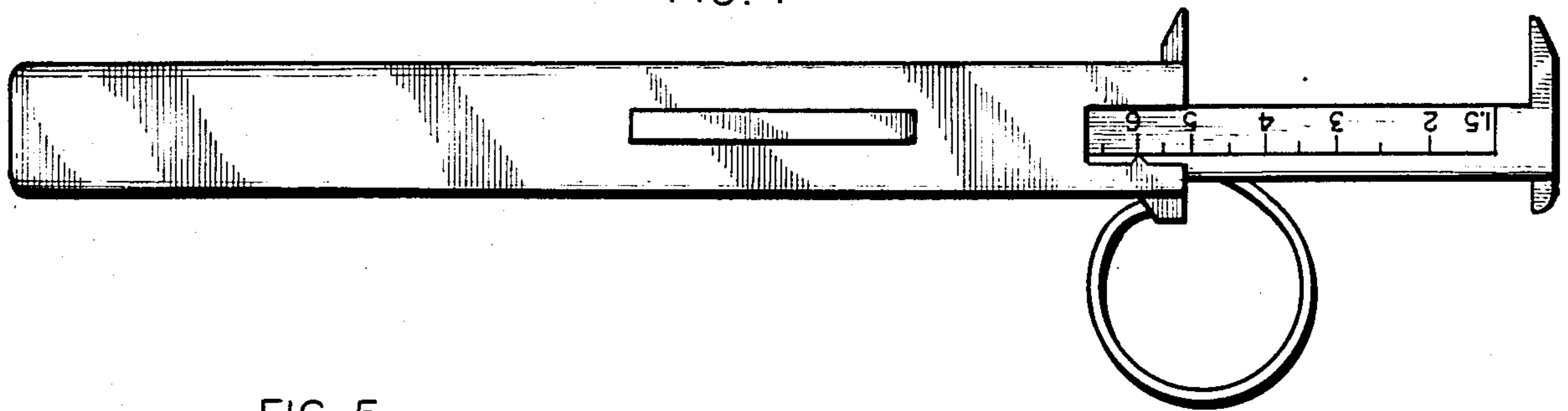


FIG. 5

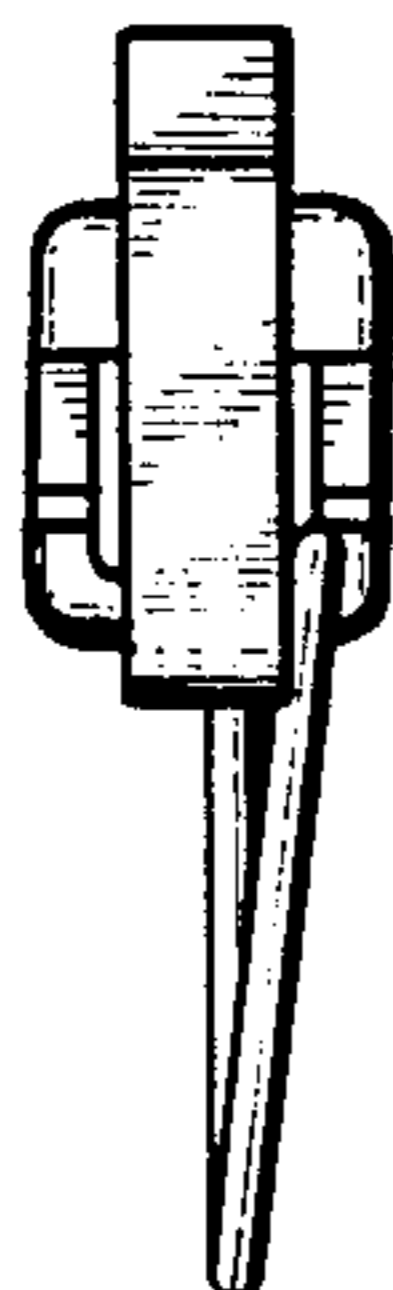


FIG. 6

