

United States Patent [19]

Nagaoka

[11] Patent Number: **Des. 310,041**

[45] Date of Patent: **** Aug. 21, 1990**

[54] **MAGNETIC MEASURING SCALE**

[75] Inventor: **Kazuo Nagaoka, Yokohama, Japan**

[73] Assignee: **Sony Magnescale, Inc., Tokyo, Japan**

[**] Term: **14 Years**

[21] Appl. No.: **18,007**

[22] Filed: **Feb. 24, 1987**

[30] **Foreign Application Priority Data**

Aug. 27, 1986 [JP] Japan 61-33402

[52] U.S. Cl. **D10/70; D10/78**

[58] Field of Search **D10/46, 75, 77, 78, D10/79, 80, 74, 70; 33/125.00 R, 208, 708, 700**

[56] **References Cited**

U.S. PATENT DOCUMENTS

D. 228,467 9/1973 Moskowitz D10/75
4,170,068 10/1979 Forsman 33/709
4,314,383 2/1982 Epstein D10/78 X

4,400,890 8/1983 Ohkubo et al. 33/708
4,484,391 11/1984 Narimatsu 33/708
4,649,648 3/1987 Nagaoka et al. 33/700
4,843,729 7/1989 Nagaoka et al. 33/708

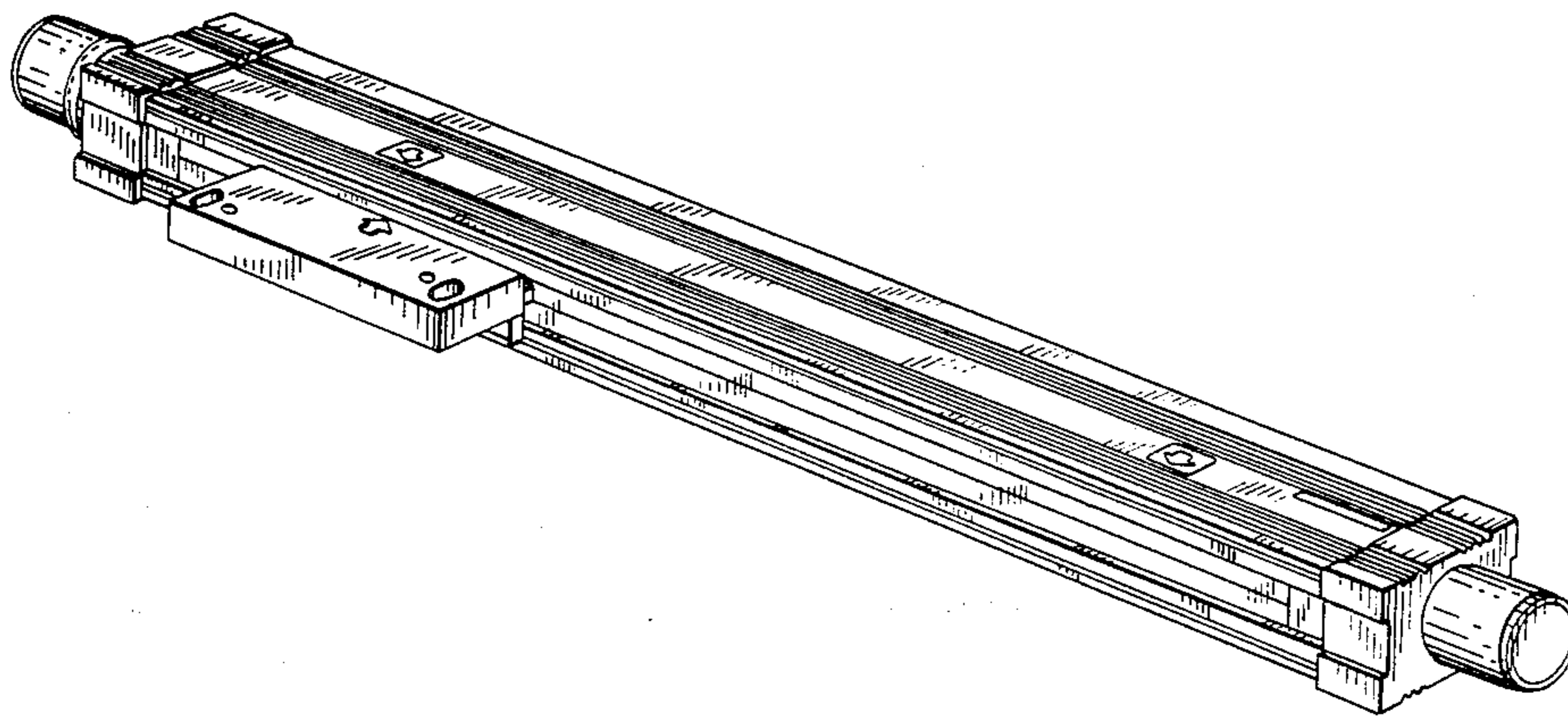
Primary Examiner—Nelson C. Holtje
Assistant Examiner—Antoine D. Davis
Attorney, Agent, or Firm—Lewis H. Eslinger; Jay H. Maioli

[57] **CLAIM**

The ornamental design for a magnetic measuring scale, as shown and described.

DESCRIPTION

FIG. 1 is a top, front and left side perspective view of a magnetic measuring scale showing my new design; FIG. 2 is a left side elevational view; FIG. 3 is a right side elevational view; FIG. 4 is a front elevational view; FIG. 5 is a rear elevational view; FIG. 6 is a top plan view; and FIG. 7 is a bottom plan view thereof.



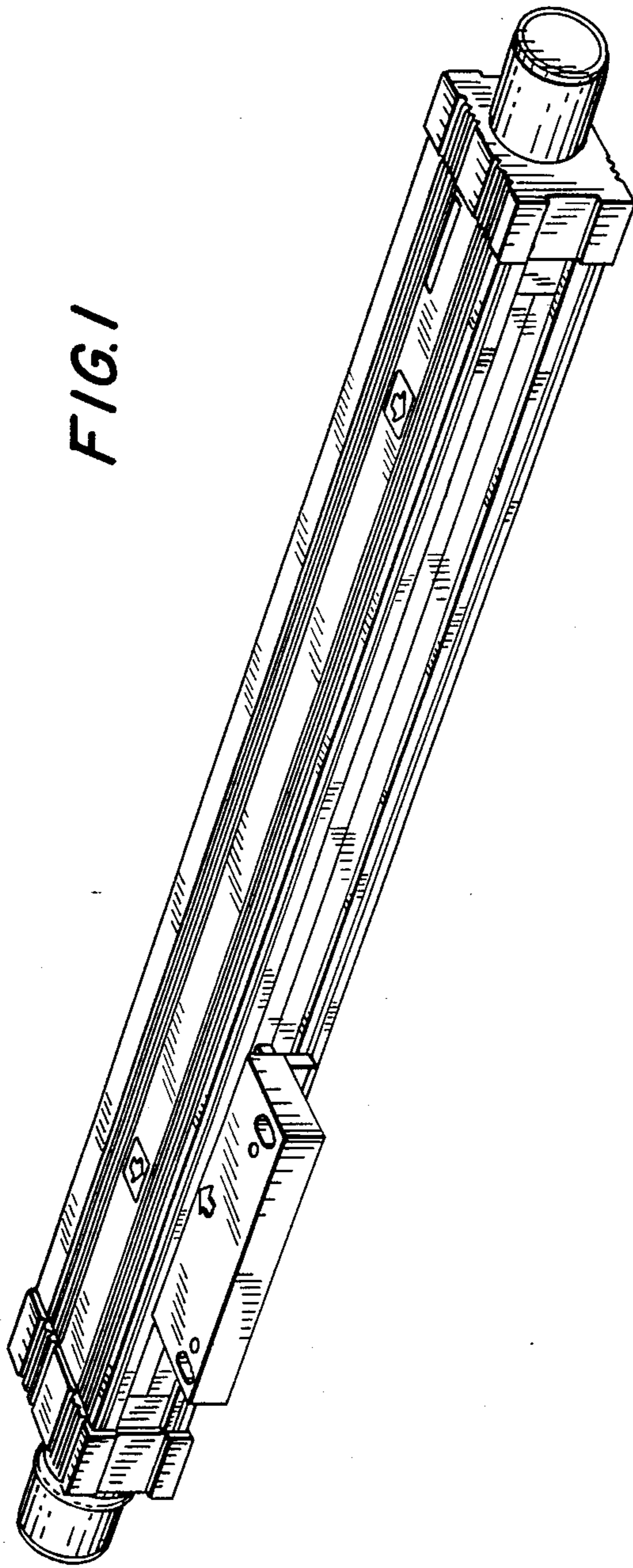


FIG. 3

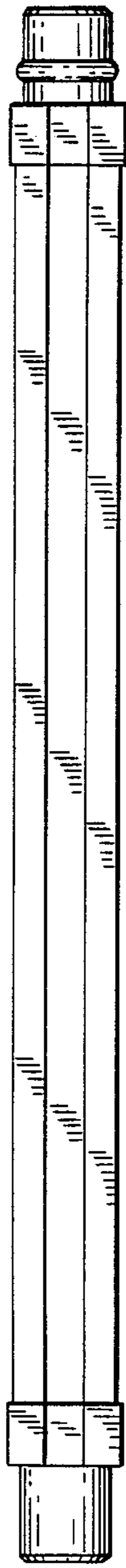


FIG. 4



FIG. 5



FIG. 6

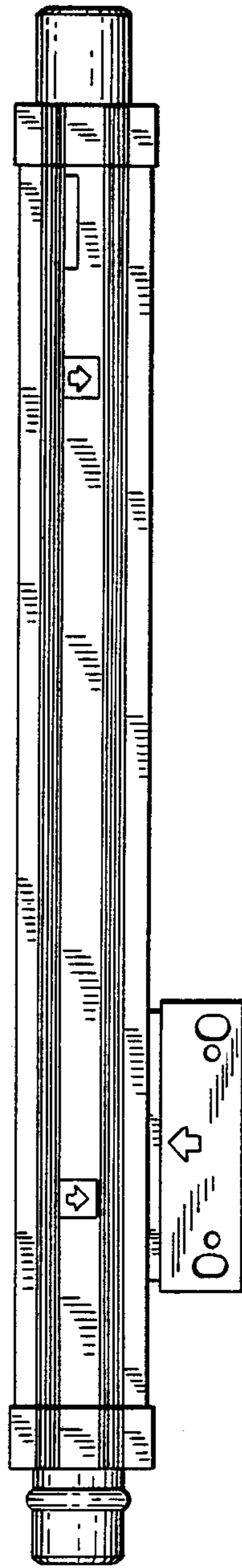


FIG. 7

