

[54] **SPHERICAL COMPASS**
[75] **Inventor: Fred Dibert, Flint, Mich.**
[73] **Assignee: Lillian J. Dibert, Flint, Mich.**
[**] **Term: 14 Years**
[21] **Appl. No.: 142,417**
[22] **Filed: Jan. 11, 1988**
[52] **U.S. Cl. D10/68**
[58] **Field of Search D10/61, 65, 68, 46;**
33/330, 334, 355 R, 356, 357, 358, 359, 360,
361, 362, 363, 364

4,513,509 4/1985 Nordström 33/330
4,670,988 6/1987 Baxter D10/68 X

FOREIGN PATENT DOCUMENTS

127135 5/1919 United Kingdom 33/364

OTHER PUBLICATIONS

The Sporting Goods Dealer, 4/1970, p. 238, Compass
Attaches to Snowmobile.

Primary Examiner—Nelson C. Holtje
Assistant Examiner—Antoine D. Davis
Attorney, Agent, or Firm—Learman & McCulloch

[57] **CLAIM**

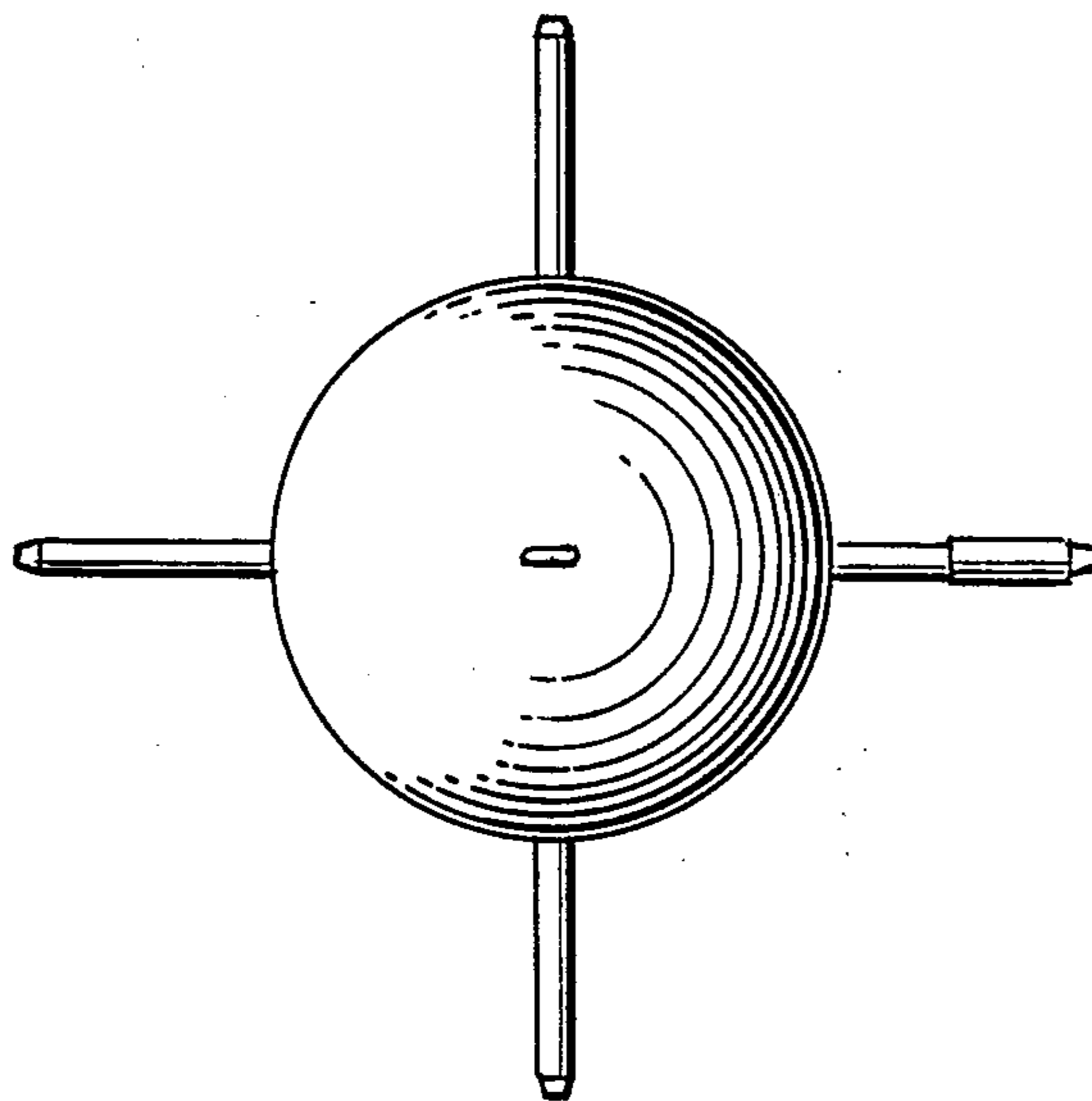
The ornamental design for a spherical compass, as
shown and described.

[56] **References Cited**
U.S. PATENT DOCUMENTS

D. 125,445 2/1941 Hull D10/68
D. 280,187 8/1985 Nordström D10/68
D. 303,506 9/1989 Hatakeyama D10/68
1,397,490 11/1921 Peradotto 33/355 X
2,511,688 6/1950 Beauchamp 33/355
3,133,244 5/1964 Wojtulewicz 33/361
4,004,348 1/1977 Fowler et al. 33/364

DESCRIPTION

FIG. 1 is a top plan view of a spherical compass show-
ing my new design;
FIG. 2 is a front elevational view, the rear elevational
view being an identical thereto; and
FIG. 3 is a bottom plan view thereof.



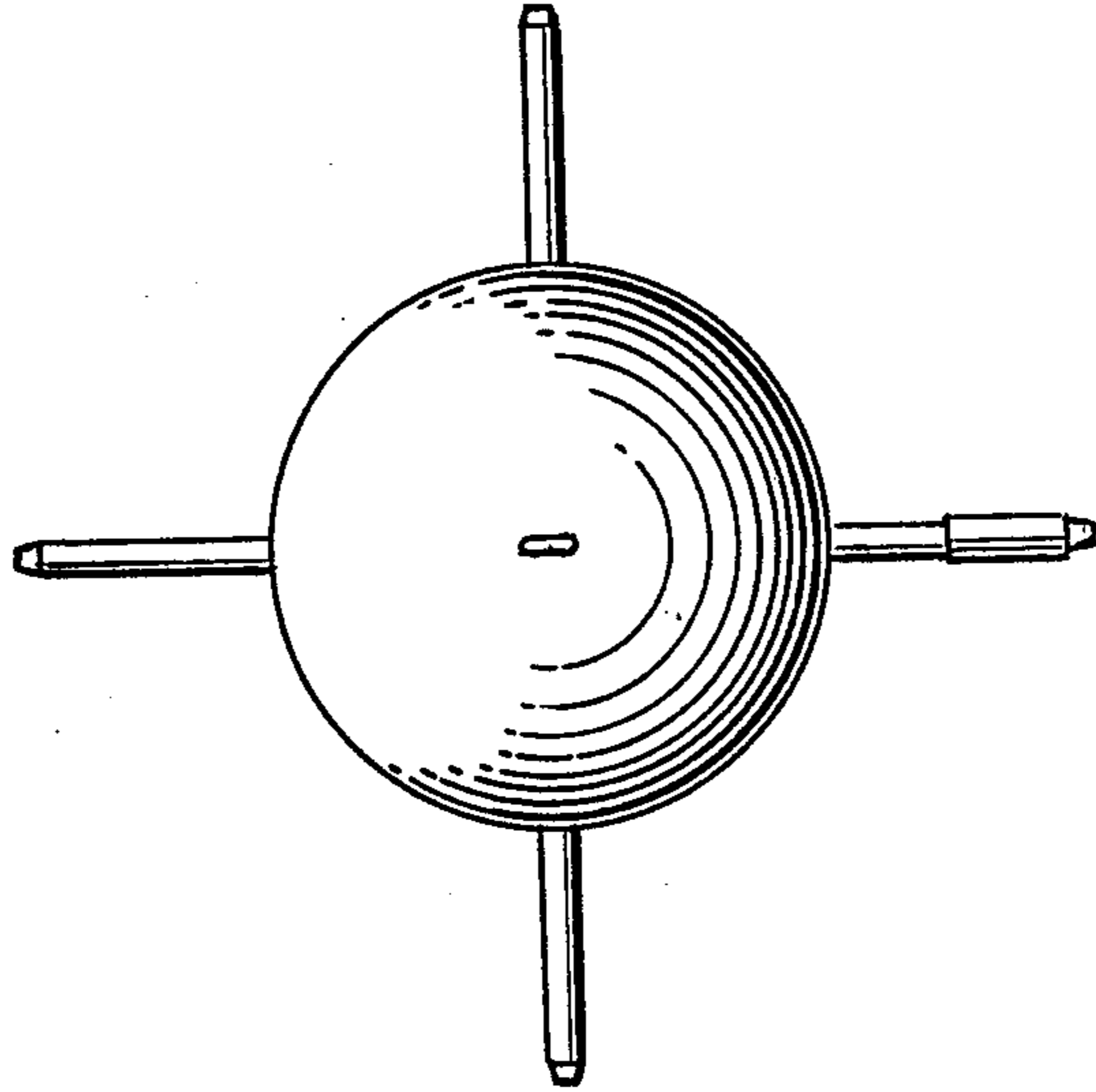


FIG. 1

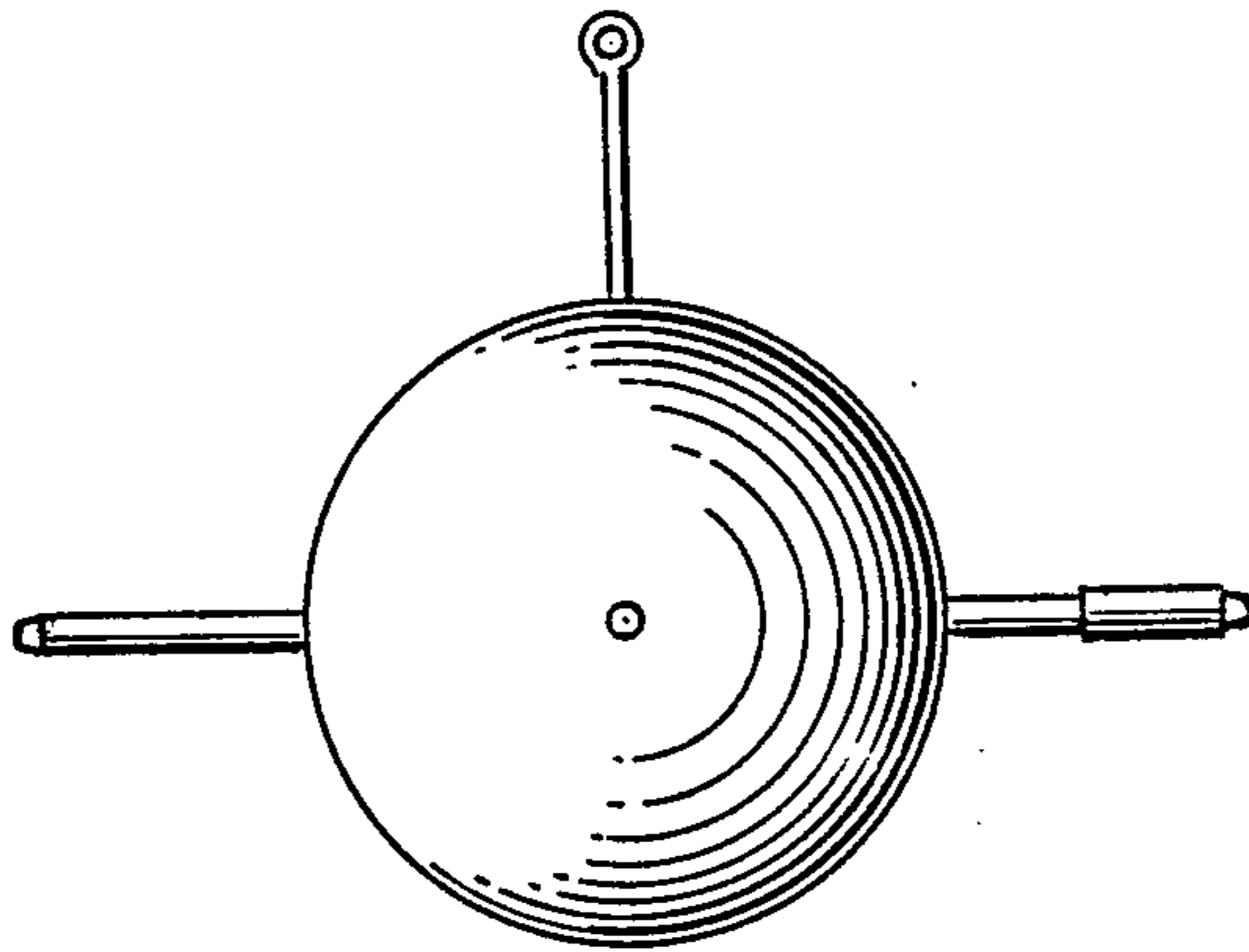


FIG. 2

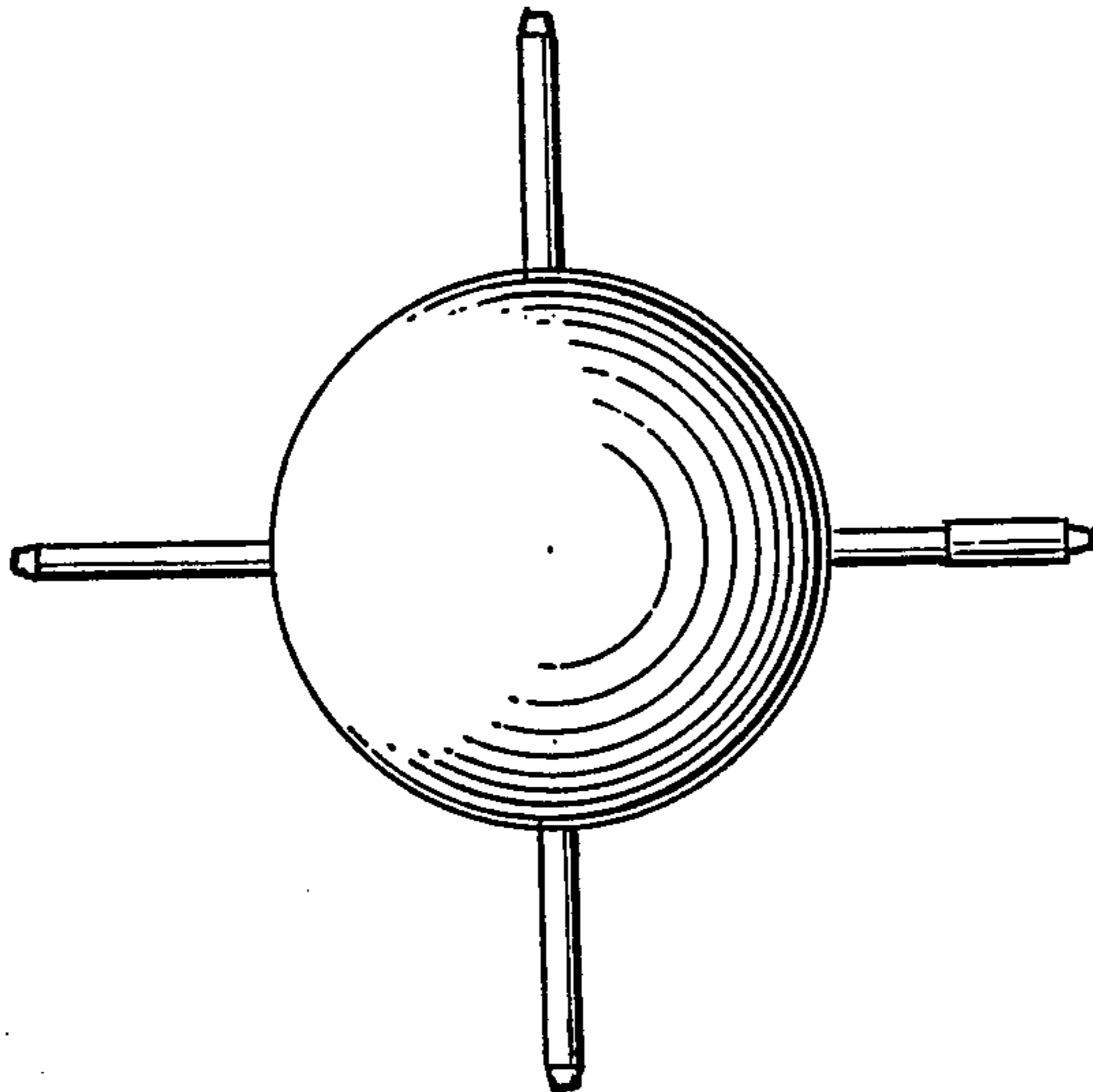


FIG. 3