

[54] FUEL TANK FILLER GAUGE

2,715,281 8/1955 Black ..... 33/501.45

[76] Inventor: Stanley G. Sumich, 1125 SW. Wright Ct., Troutdale, Oreg. 97060-1499

Primary Examiner—Nelson C. Holtje  
Assistant Examiner—Antoine D. Davis  
Attorney, Agent, or Firm—Eugene M. Eckelman

[\*\*] Term: 14 Years

[21] Appl. No.: 67,445

[57] CLAIM

[22] Filed: Jun. 29, 1987

The ornamental design for fuel tank filler gauge, as shown and described.

[52] U.S. Cl. .... D10/64

[58] Field of Search ..... D10/46, 81, 64;  
33/501.45, 542, 543.1, 555.1, 555.2, 785, 786

DESCRIPTION

[56] References Cited

U.S. PATENT DOCUMENTS

- D. 192,749 5/1962 Schaechter ..... D10/81 X
- 2,298,898 10/1942 Oswin ..... 33/501.45
- 2,345,750 4/1944 Hohwart ..... 33/501.45
- 2,684,536 7/1954 Ahmer ..... 33/501.45

FIG. 1 is a top, front, and right side perspective view of a fuel tank filler gauge showing my new design;  
 FIG. 2 is a front elevational view, the rear elevational view being identical;  
 FIG. 3 is a right side elevational view, the left side elevational view being identical; and  
 FIG. 4 is a top plan view, the bottom plan view being identical thereof.

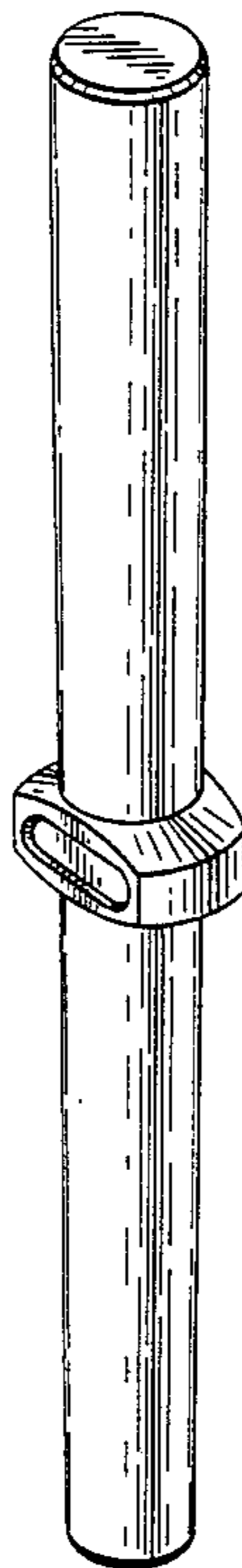


FIG. 1

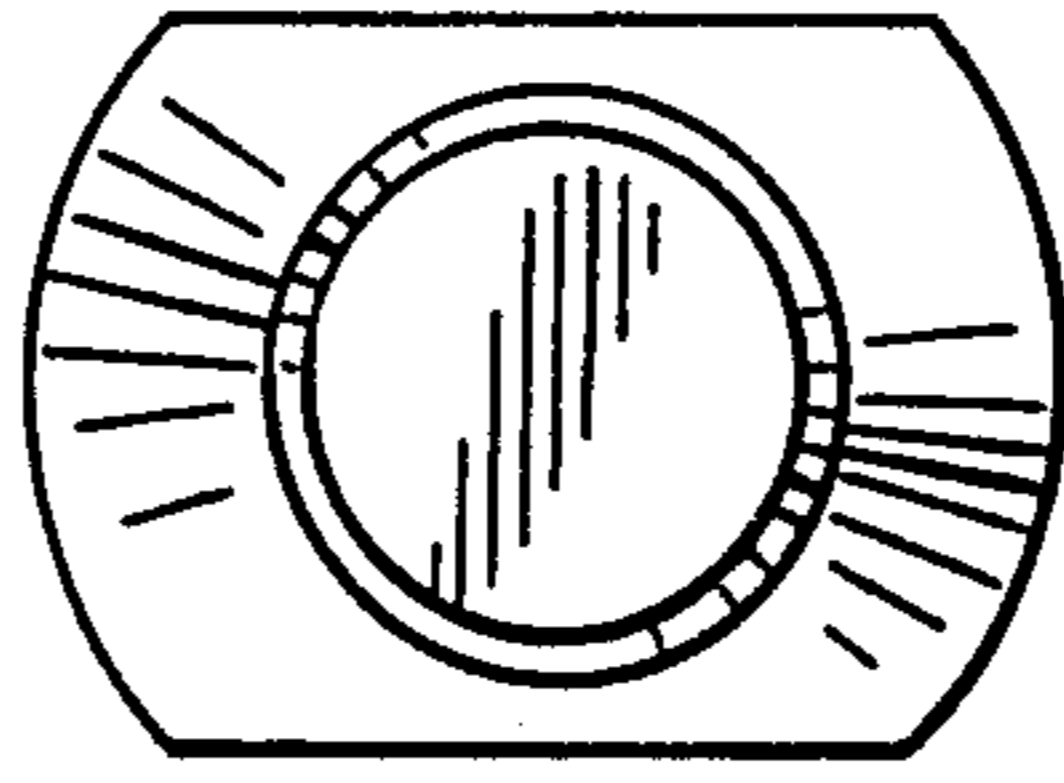
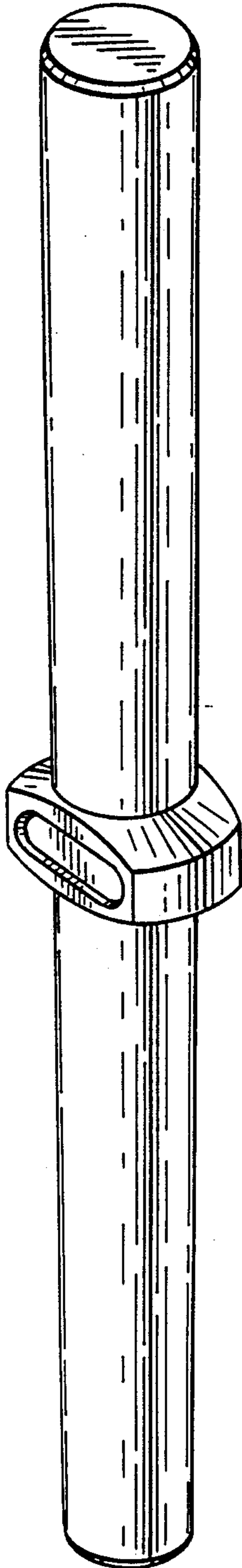


FIG. 4

FIG. 2

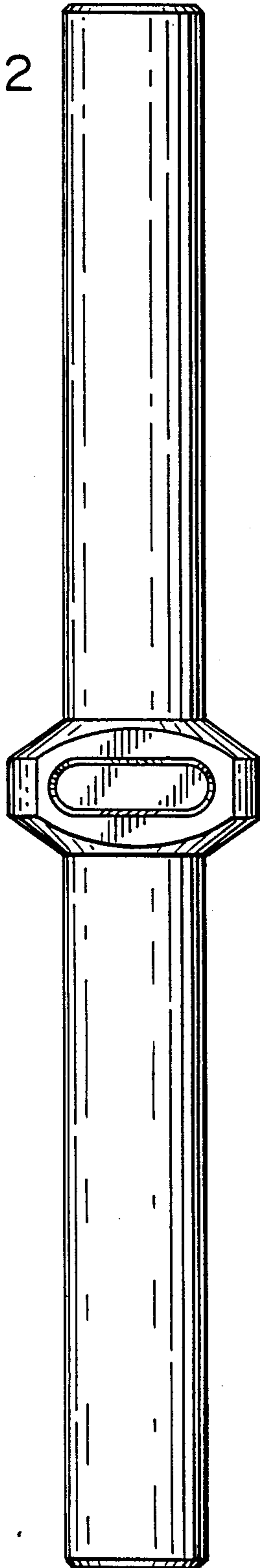


FIG. 3

