

[54] **BOTTLE CAP**

[76] **Inventor: Serge Mansau, 45 Rue Ybry, 92200 Neuilly sur Seine, France**

[\*\*] **Term: 14 Years**

[21] **Appl. No.: 99,848**

[22] **Filed: Sep. 22, 1987**

[30] **Foreign Application Priority Data**

Jun. 4, 1987 [FR] France ..... 87 3342  
[52] **U.S. Cl. .... D9/439**  
[58] **Field of Search ..... D9/435, 439, 441, 451; 215/295, 296, 305**

[56] **References Cited**

**U.S. PATENT DOCUMENTS**

D. 96,063 6/1935 Thorne ..... D9/452  
D. 202,938 11/1965 Danks ..... D9/453  
D. 249,984 10/1978 Parker ..... D9/436  
D. 260,371 8/1981 Imm ..... D9/452

**OTHER PUBLICATIONS**

Beauty Fashion; Jul., 1983; p. 75; Stopper.  
Beauty Fashion; Dec./Jan. 1980; p. 5; Closure.  
Beauty Fashion; Jun. 1984; p. 15; Closure.  
Various copies of Caps submitted by applicant; undated.

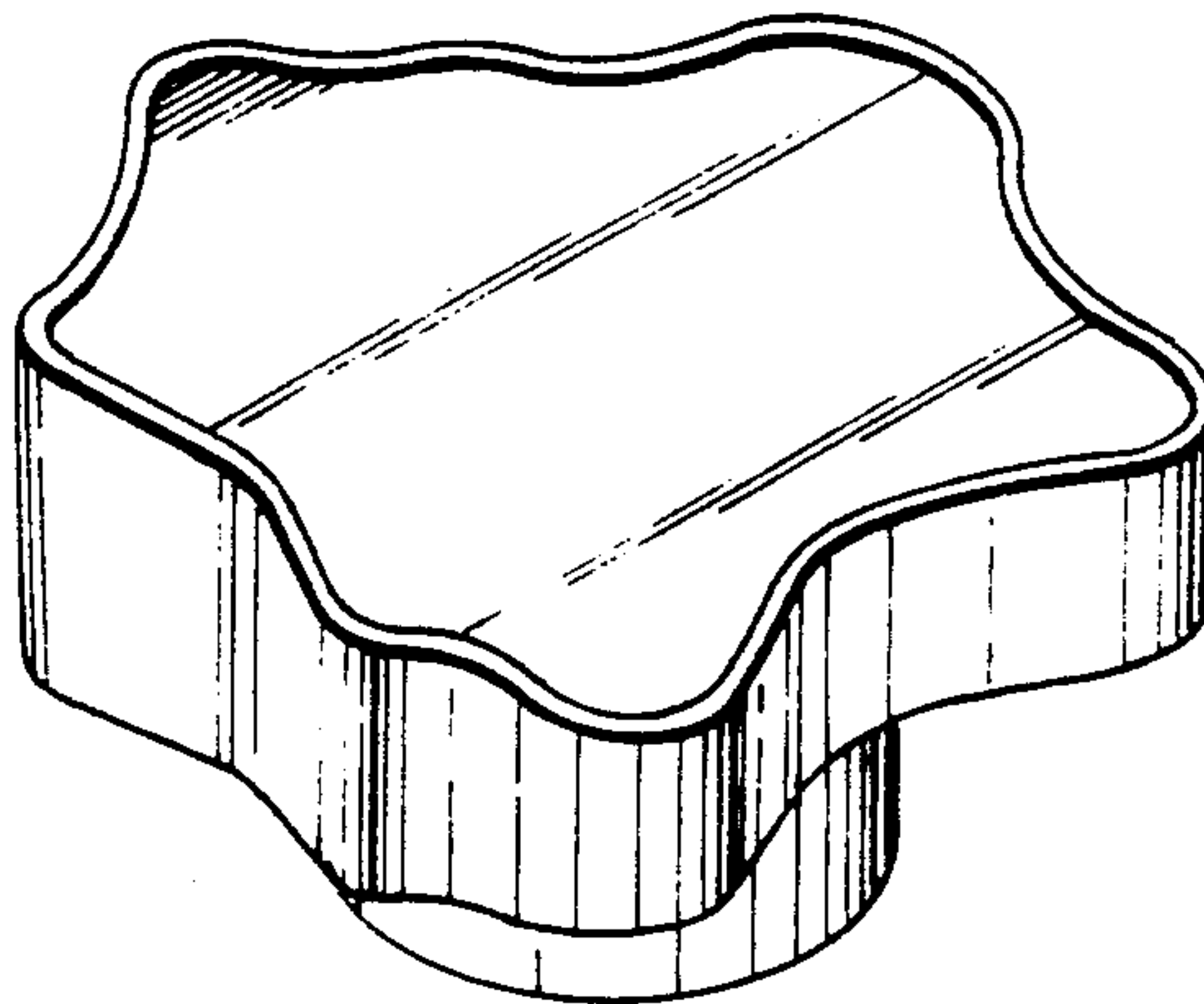
*Primary Examiner*—B. J. Bullock  
*Assistant Examiner*—Dominic Simone  
*Attorney, Agent, or Firm*—Melvin H. Kurtz

[57] **CLAIM**

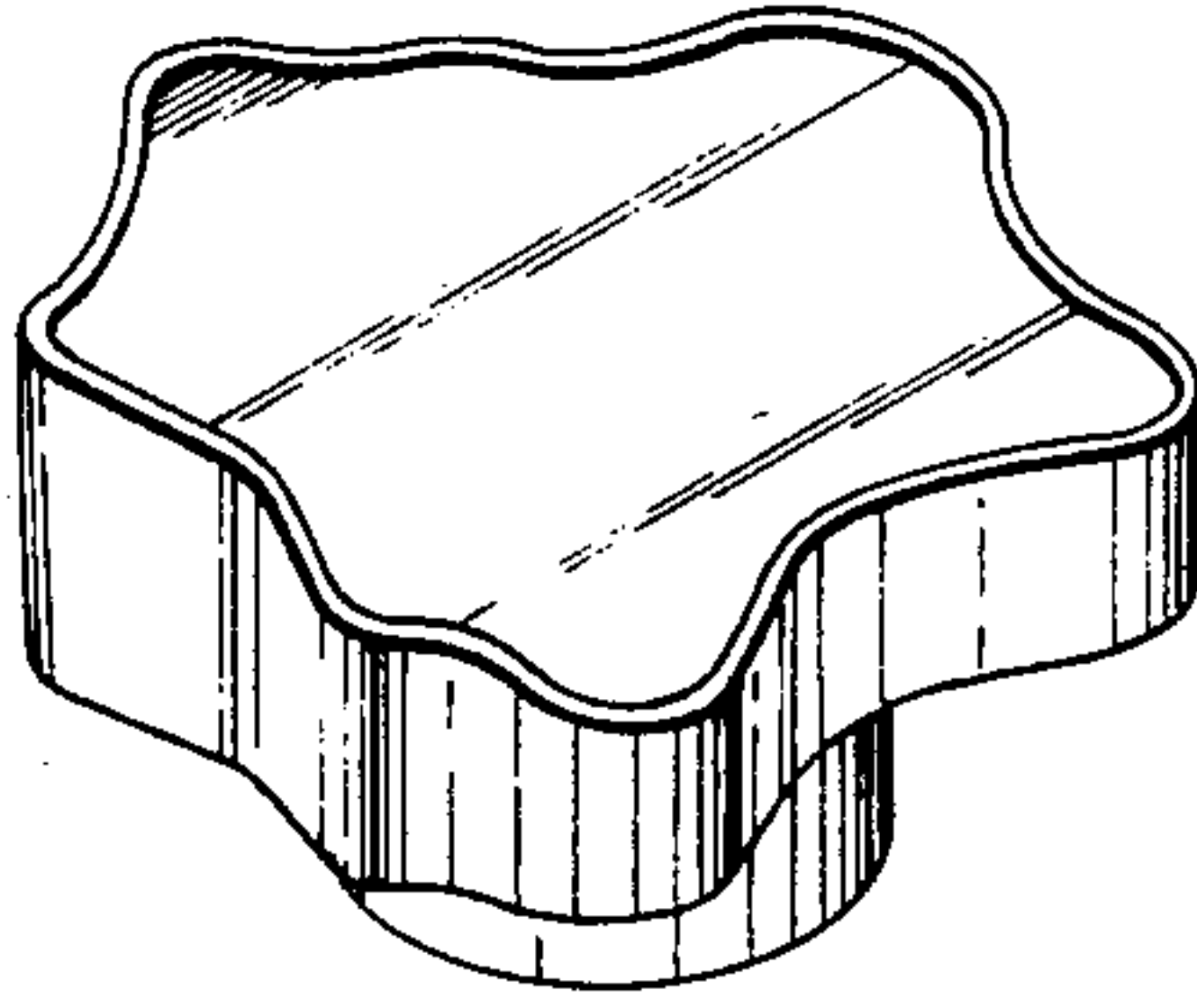
The ornamental design for a bottle cap, as shown and described.

**DESCRIPTION**

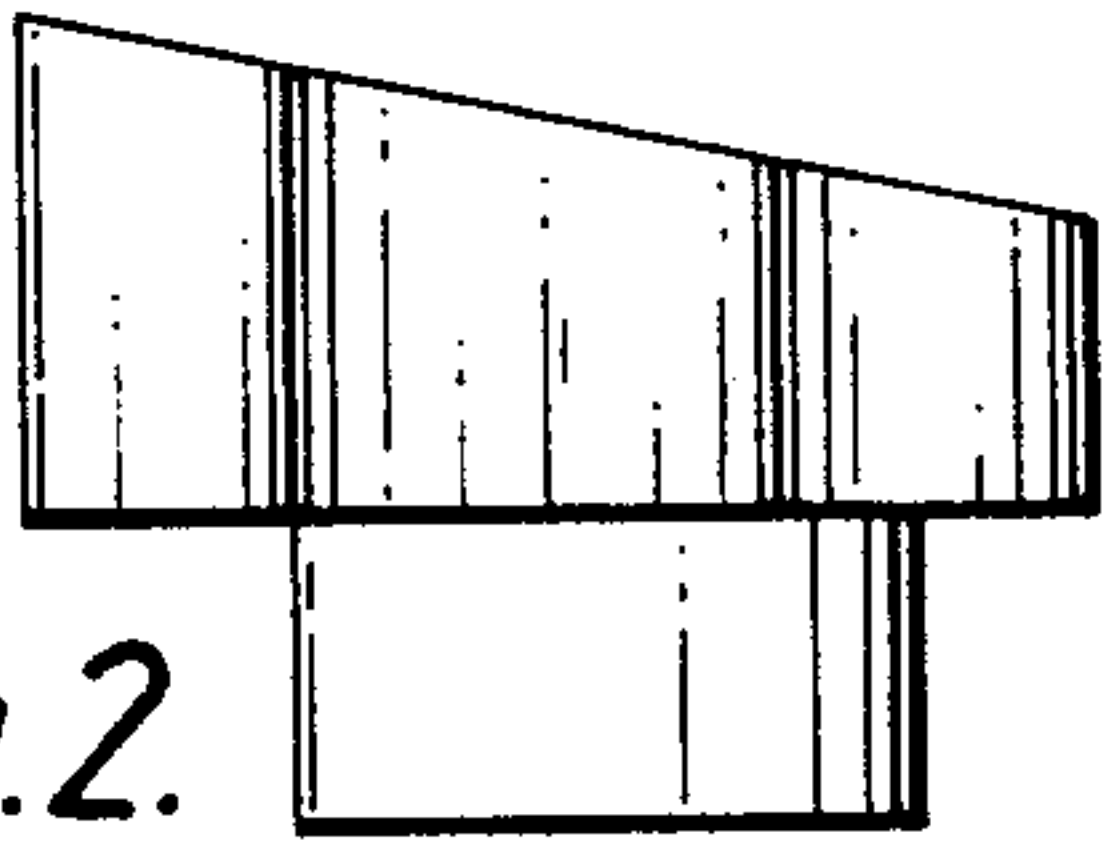
FIG. 1 is a front perspective view of a bottle cap showing my new design;  
FIG. 2 is a left side elevational view thereof;  
FIG. 3 is a right side elevational view thereof;  
FIG. 4 is a front elevational view thereof;  
FIG. 5 is a rear elevational view thereof;  
FIG. 6 is a top plan view thereof.



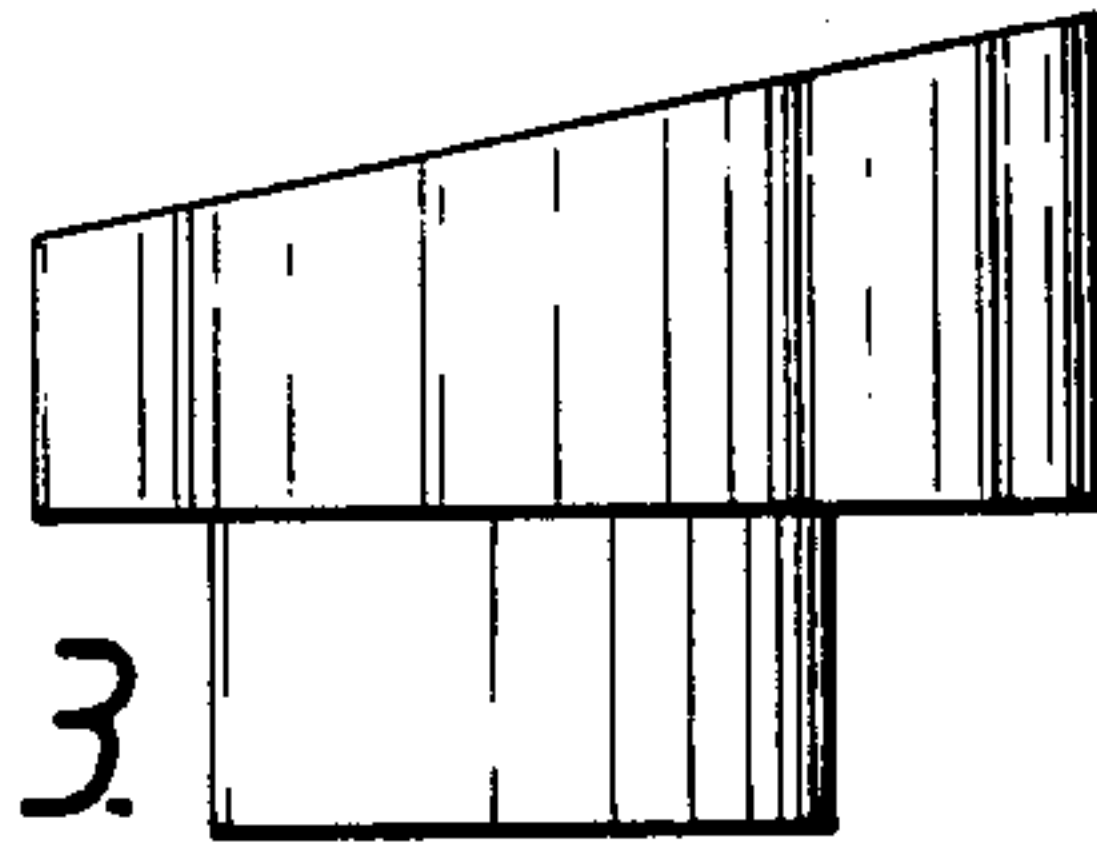
*Fig.1.*



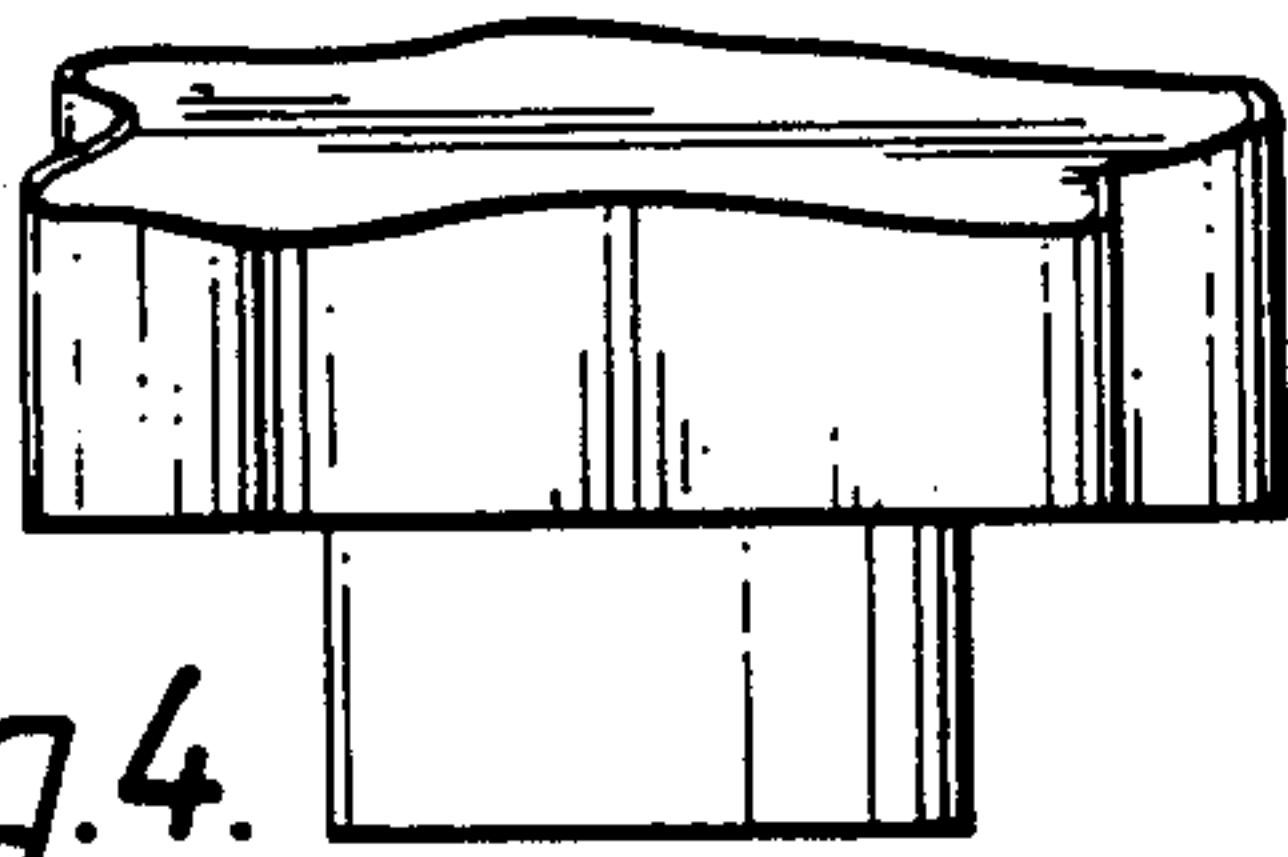
*Fig.2.*



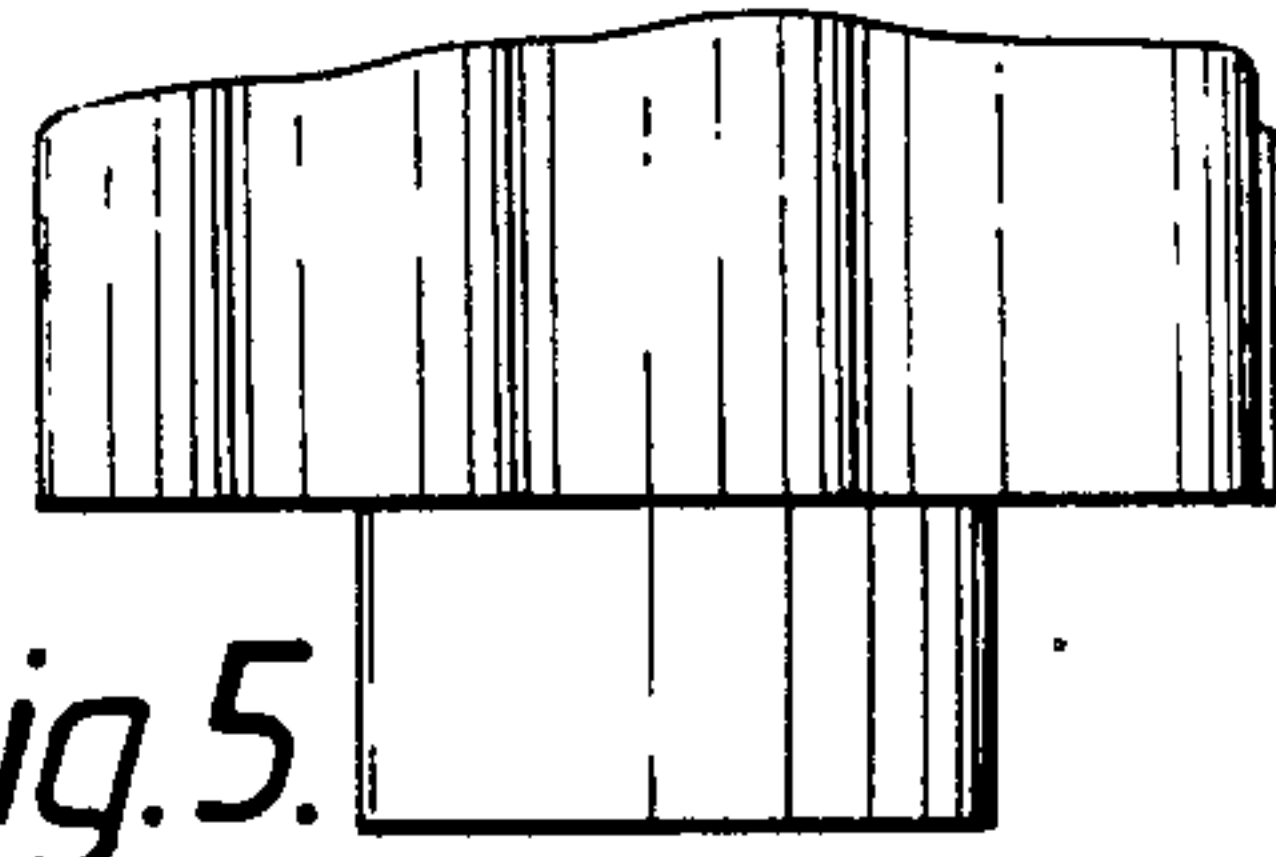
*Fig.3.*



*Fig.4.*



*Fig.5.*



*Fig.6.*

