

[54] BASE CUP FOR A BOTTLE

[75] Inventors: Charles M. Brandt; Stephen R. Lynn, both of Douglasville, Ga.

[73] Assignee: Sewell Plastics, Inc., Atlanta, Ga.

[**] Term: 14 Years

[21] Appl. No.: 35,155

[22] Filed: Apr. 6, 1987

[52] U.S. Cl. D9/434

[58] Field of Search D9/352, 370, 434, 455; D11/143, 152; 220/1 R, 1 C, 66, 70

[56] References Cited

U.S. PATENT DOCUMENTS

D. 230,953	3/1974	Edwards	D9/370
D. 267,233	12/1982	Aoki	D9/370
3,363,546	1/1968	Johnson	215/1 R
3,616,032	10/1971	Kugler	156/286
3,927,782	12/1975	Edwards	215/100 R
4,241,839	12/1980	Alberghini	215/100 R
4,331,246	5/1982	Sorensen	215/1 C
4,355,728	10/1982	Yoshino et al.	220/70
4,436,216	3/1984	Chang	215/1 C
4,438,856	3/1984	Chang	215/12 R
4,573,597	3/1986	Adams et al.	215/1 C
4,609,418	9/1986	Yoshino et al.	156/87

OTHER PUBLICATIONS

Packaging Review, 11/1980, Cover pic of Bottles. Packaging, 9/1985, p. 15, pic of Coke Bottles.

Primary Examiner—B. J. Bullock
Assistant Examiner—Sandra Morris
Attorney, Agent, or Firm—Barnes & Thornburg

[57] CLAIM

The ornamental design for a base cup for a bottle, as shown and described.

DESCRIPTION

FIG. 1 is a top perspective view of a base cup for a bottle, showing our new design, the broken lines showing a bottle are for illustrative purposes only and form no part of the claimed design;

FIG. 2 is a bottom perspective view thereof;

FIG. 3 is a bottom plan view thereof;

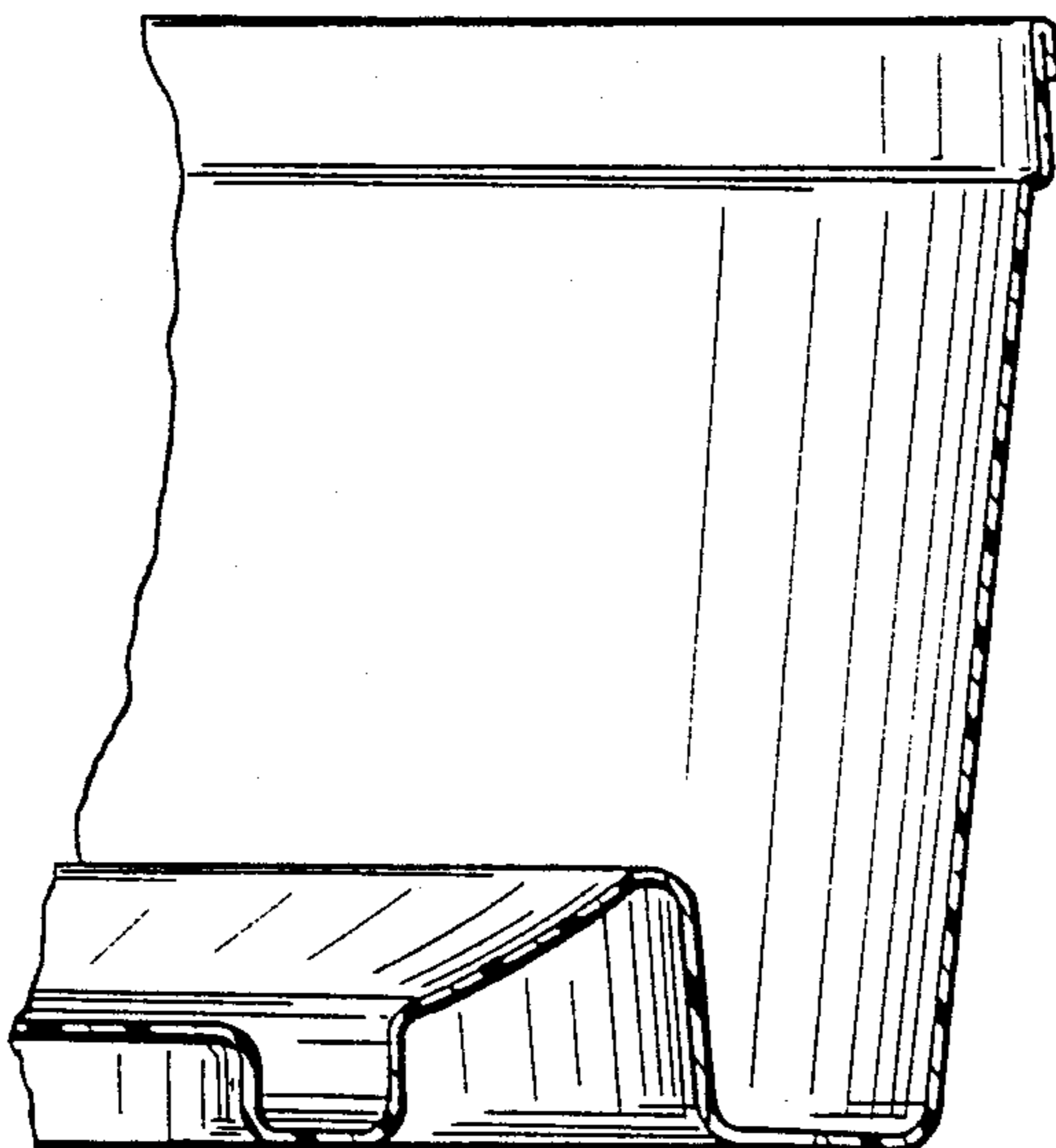
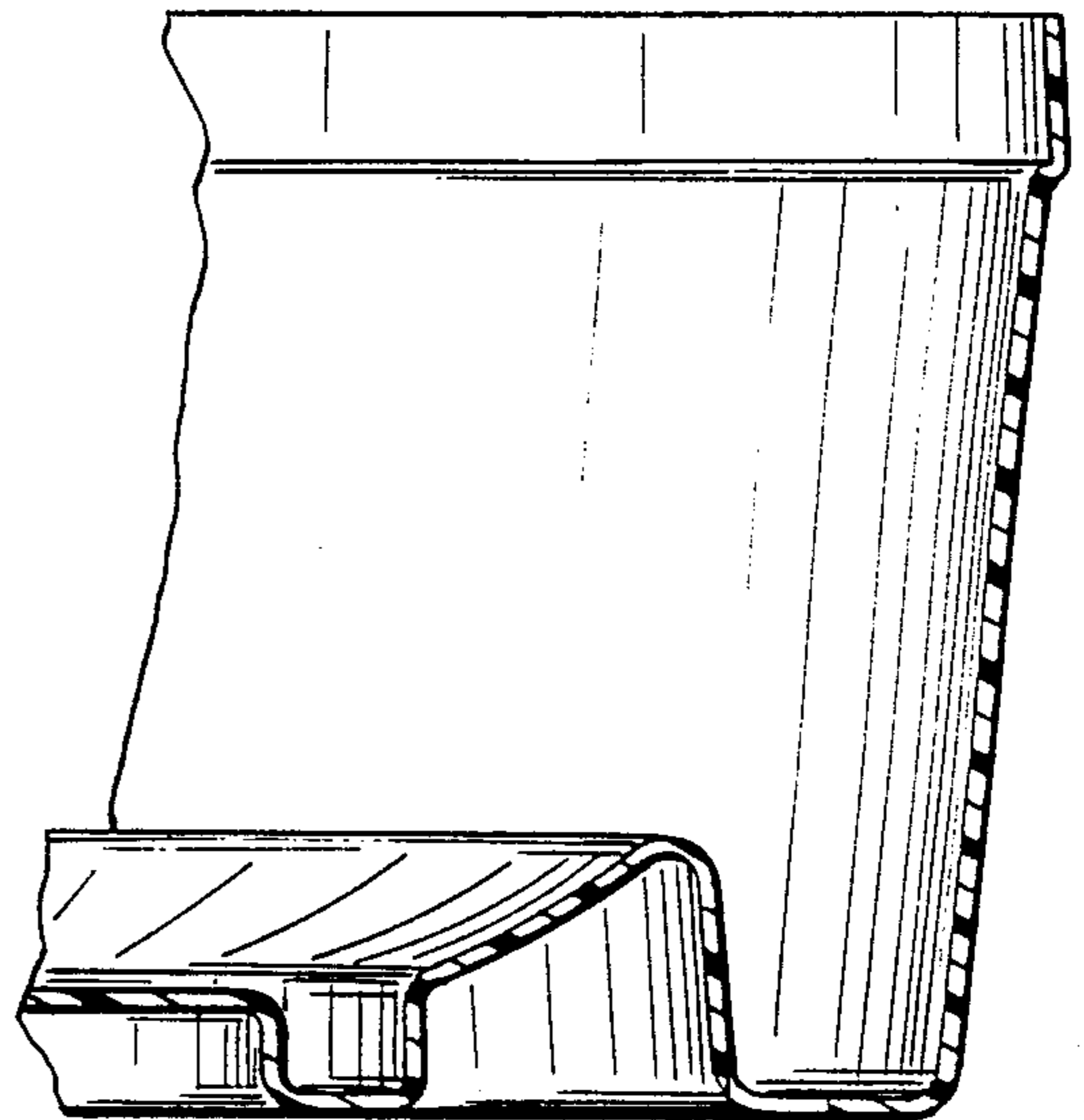
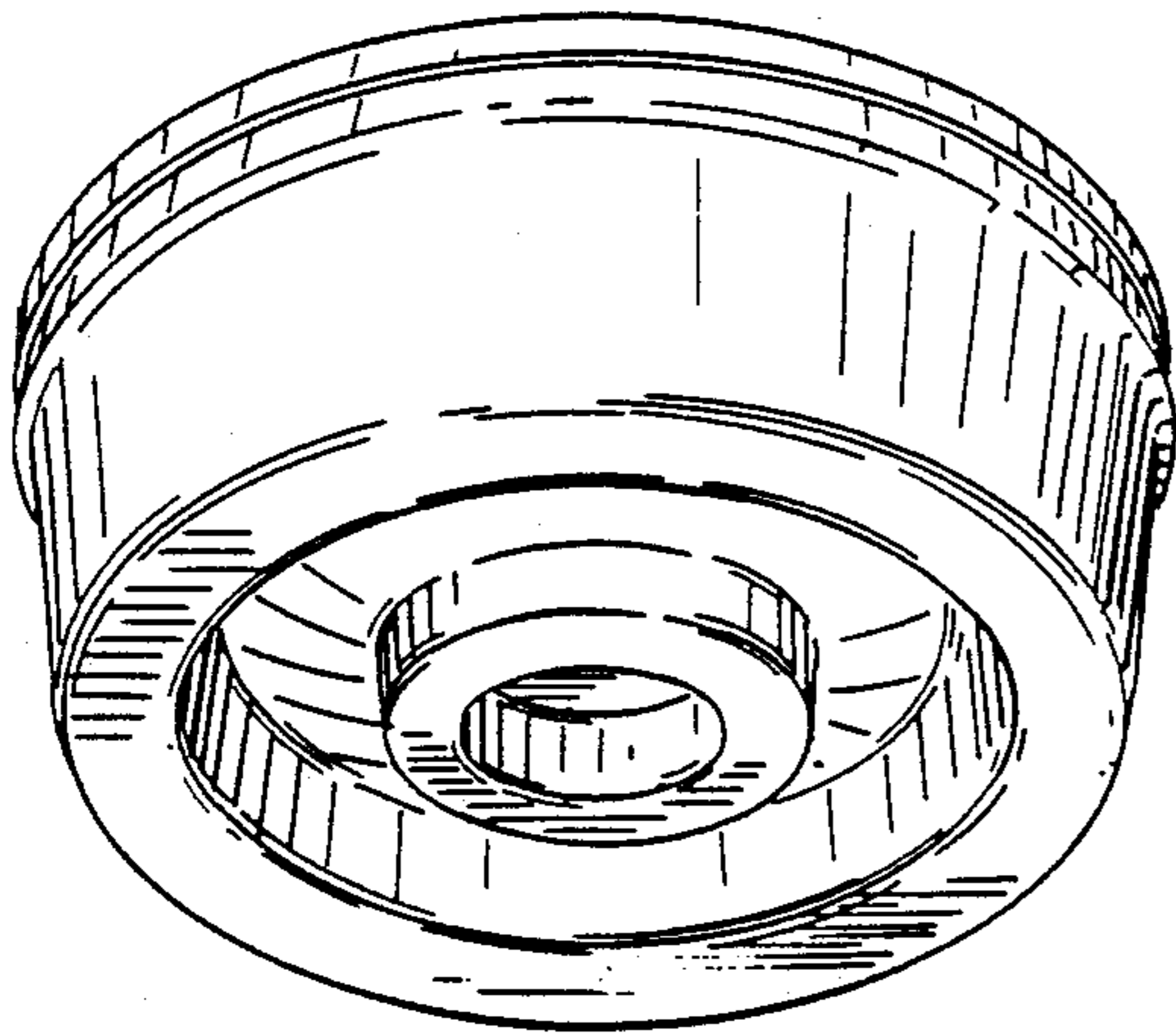
FIG. 4 is a side elevational view thereof, all sides being identical;

FIG. 5 is a top plan view thereof;

FIG. 6 is a fragmentary, enlarged sectional view taken in the direction of the arrows on line 6-6 of FIG. 3;

FIG. 7 is a side elevational view of a second embodiment of FIG. 1, the only difference being the configuration of the upper edge of the cup;

FIG. 8 is a fragmentary, enlarged sectional view of FIG. 7 similar to FIG. 6.



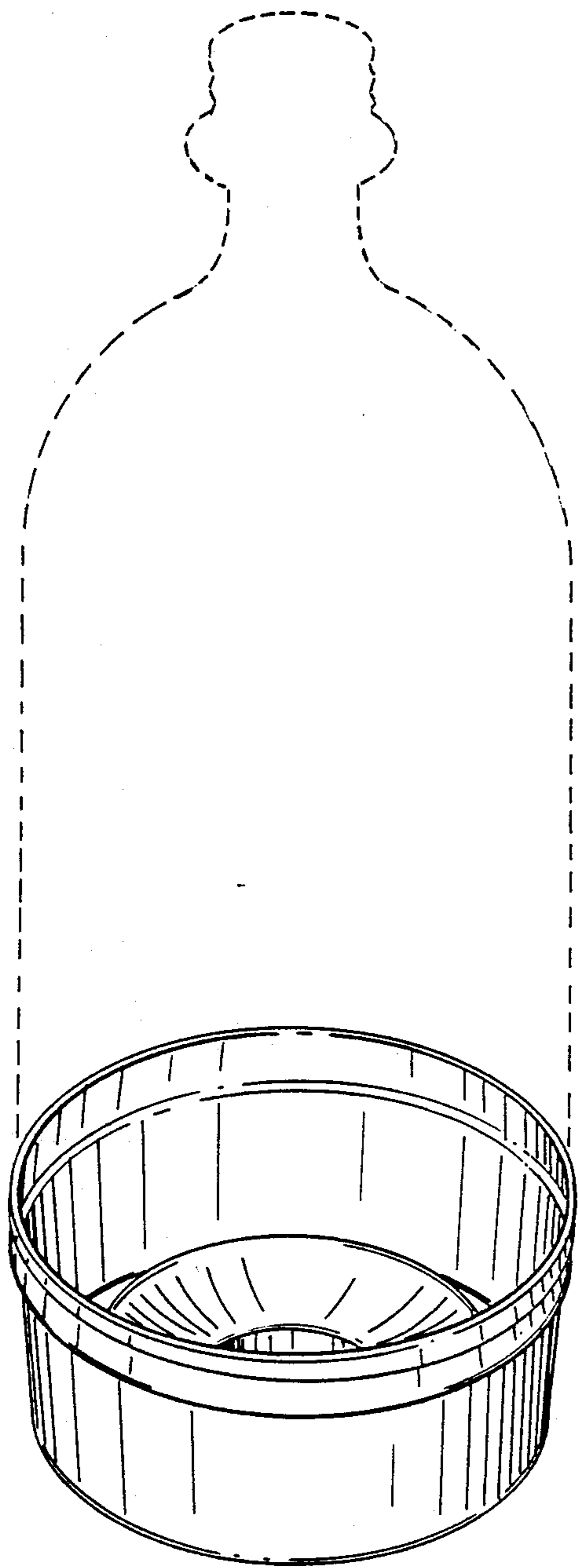


FIG. 1

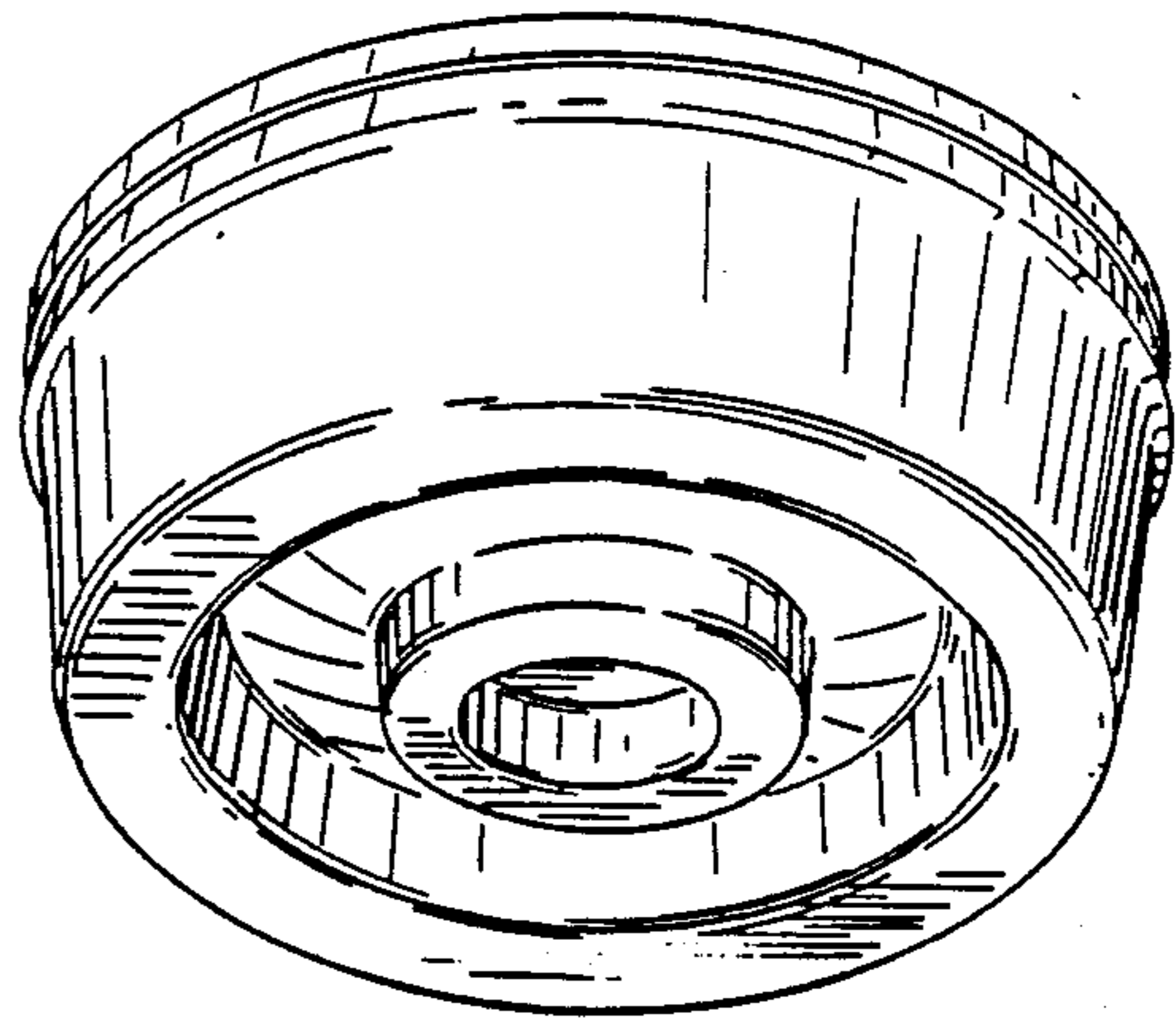


FIG. 2

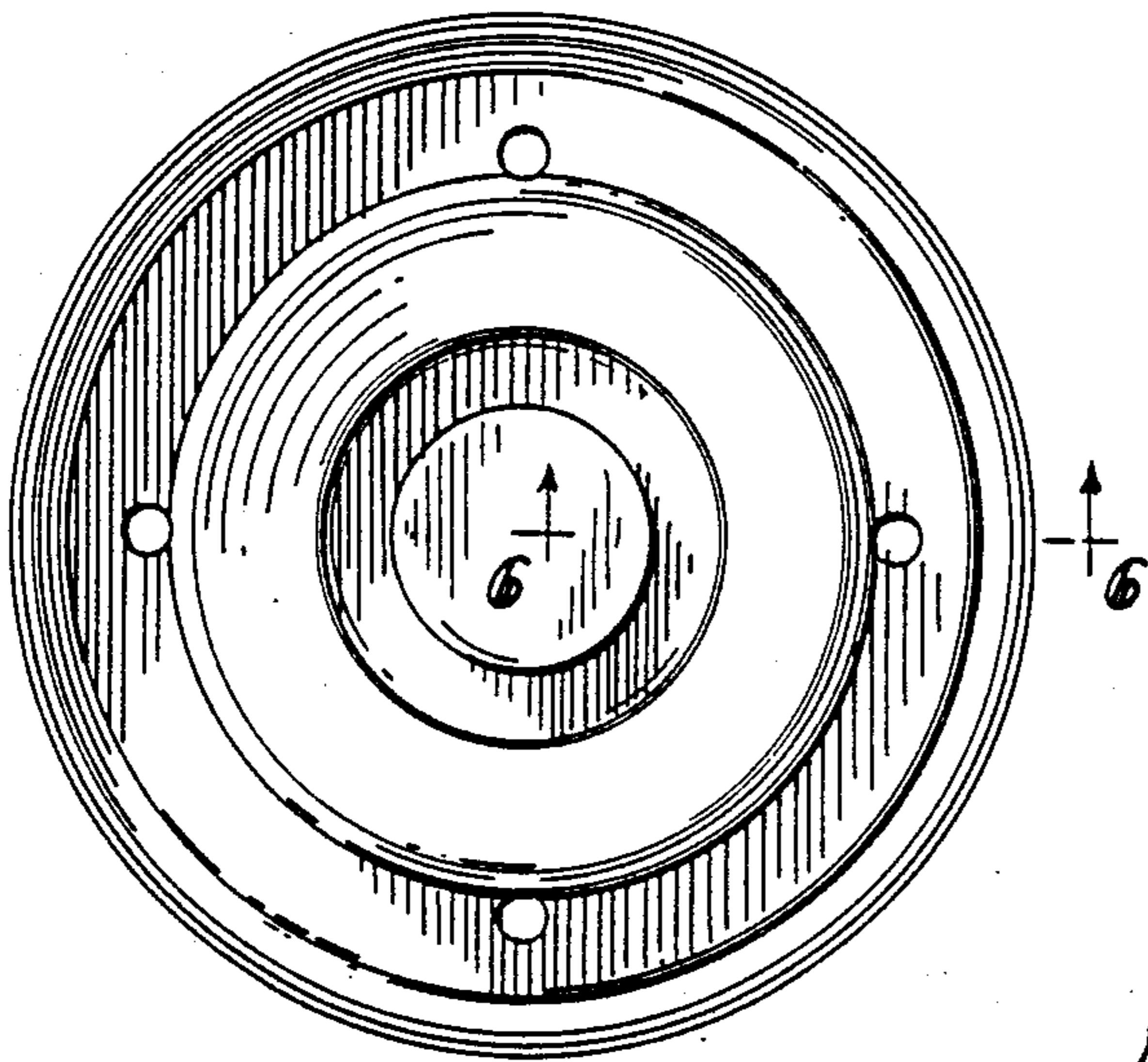


FIG 3



FIG 6

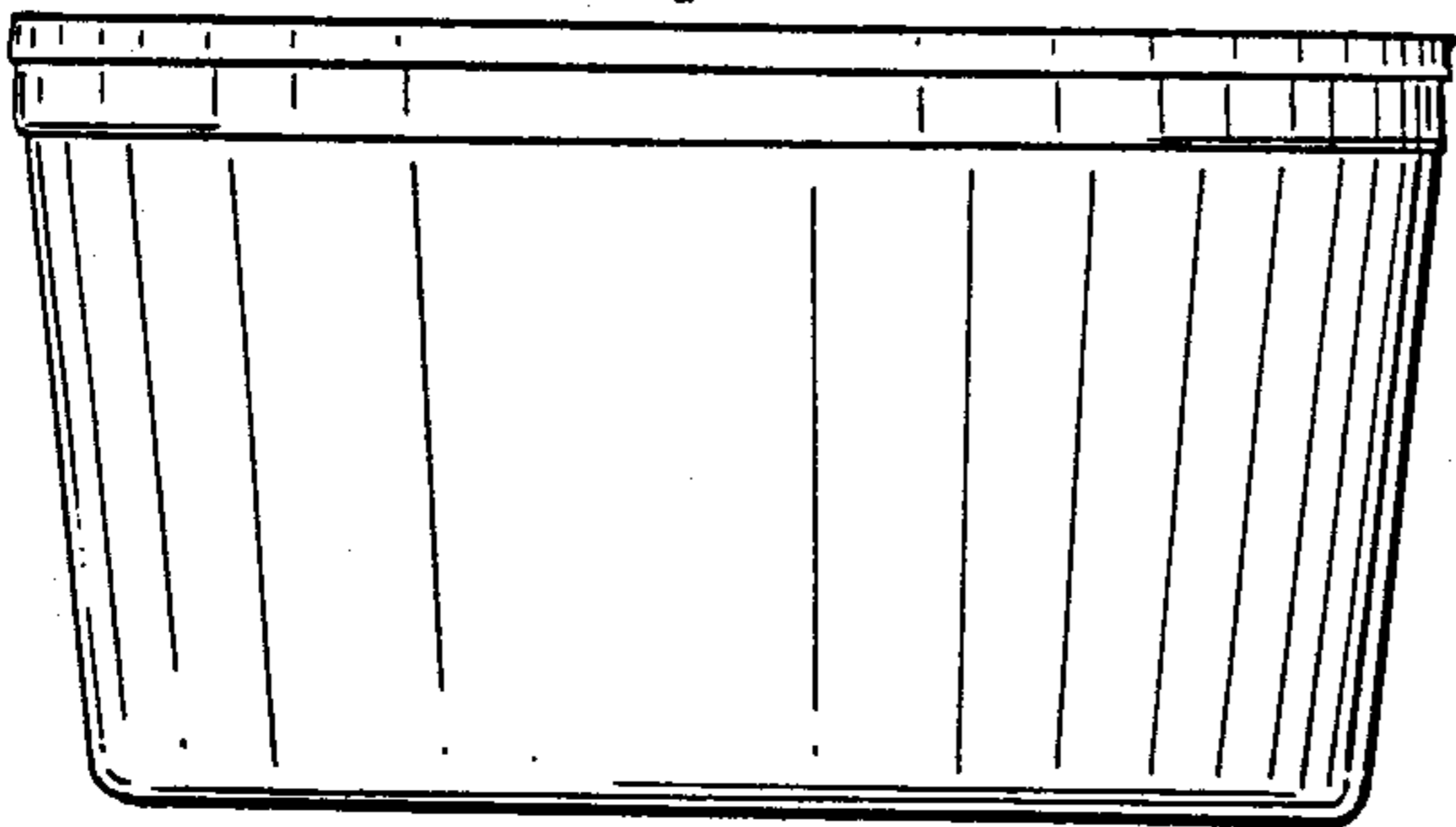


FIG 4

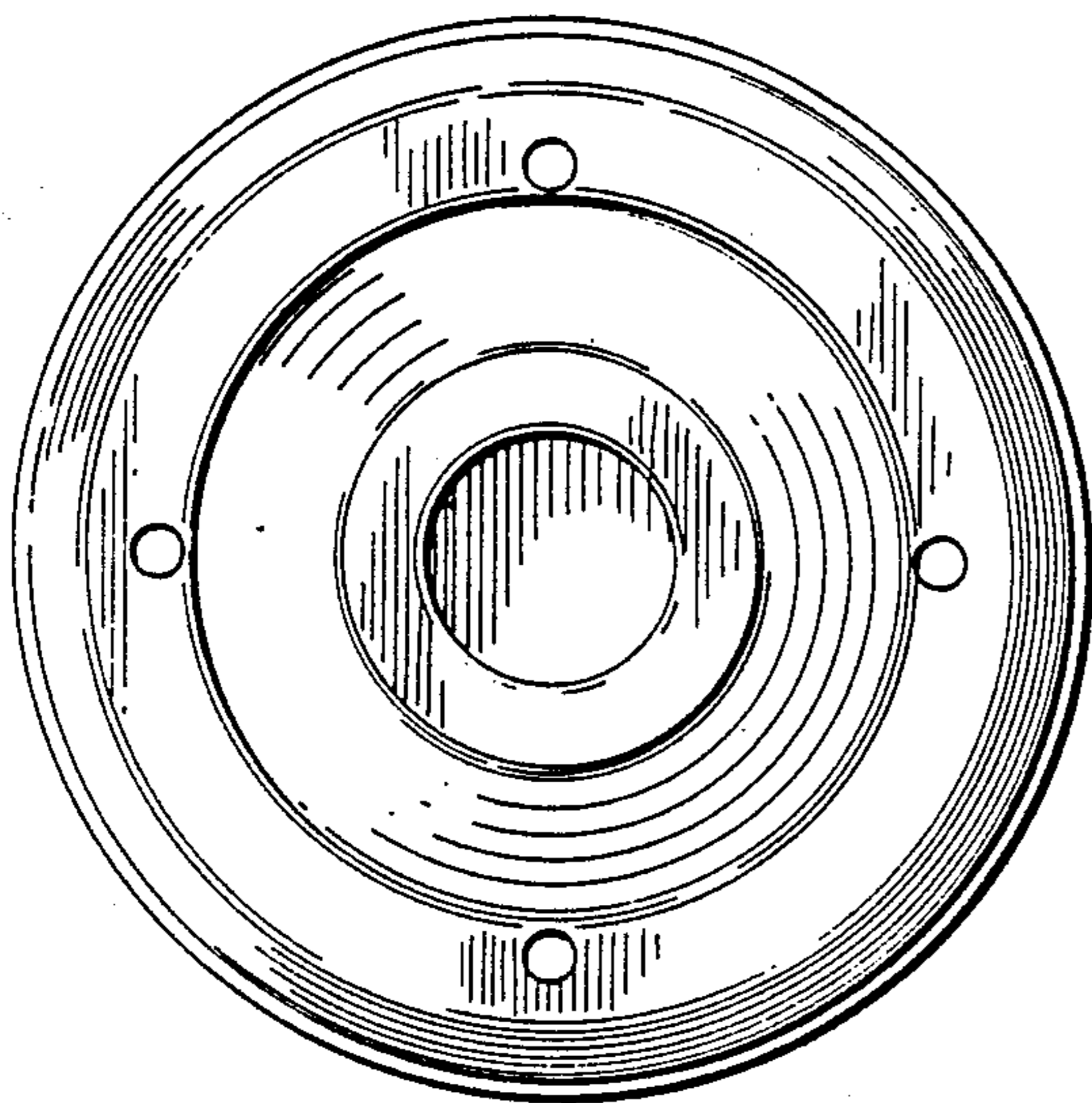


FIG 5

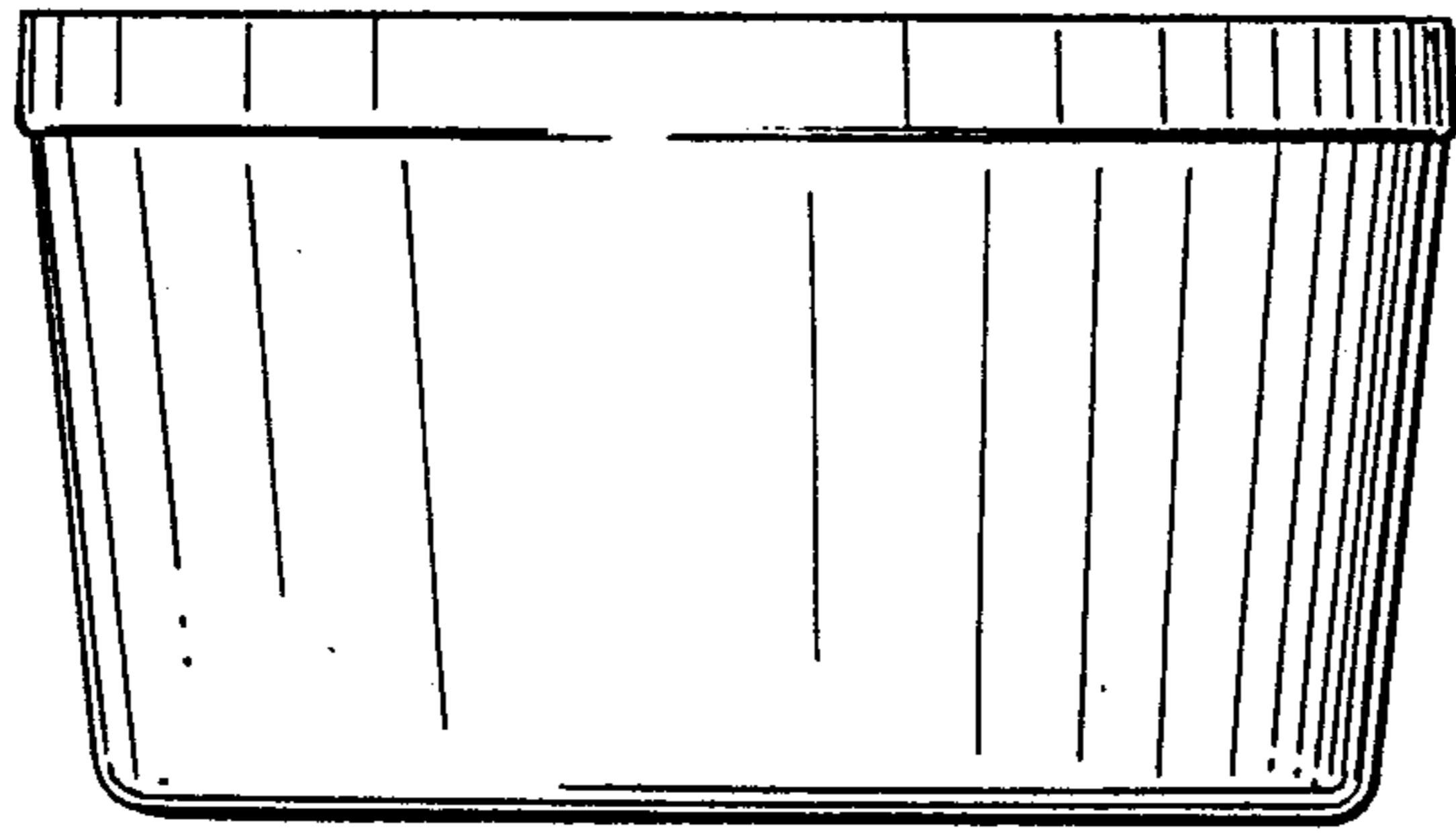


FIG. 7

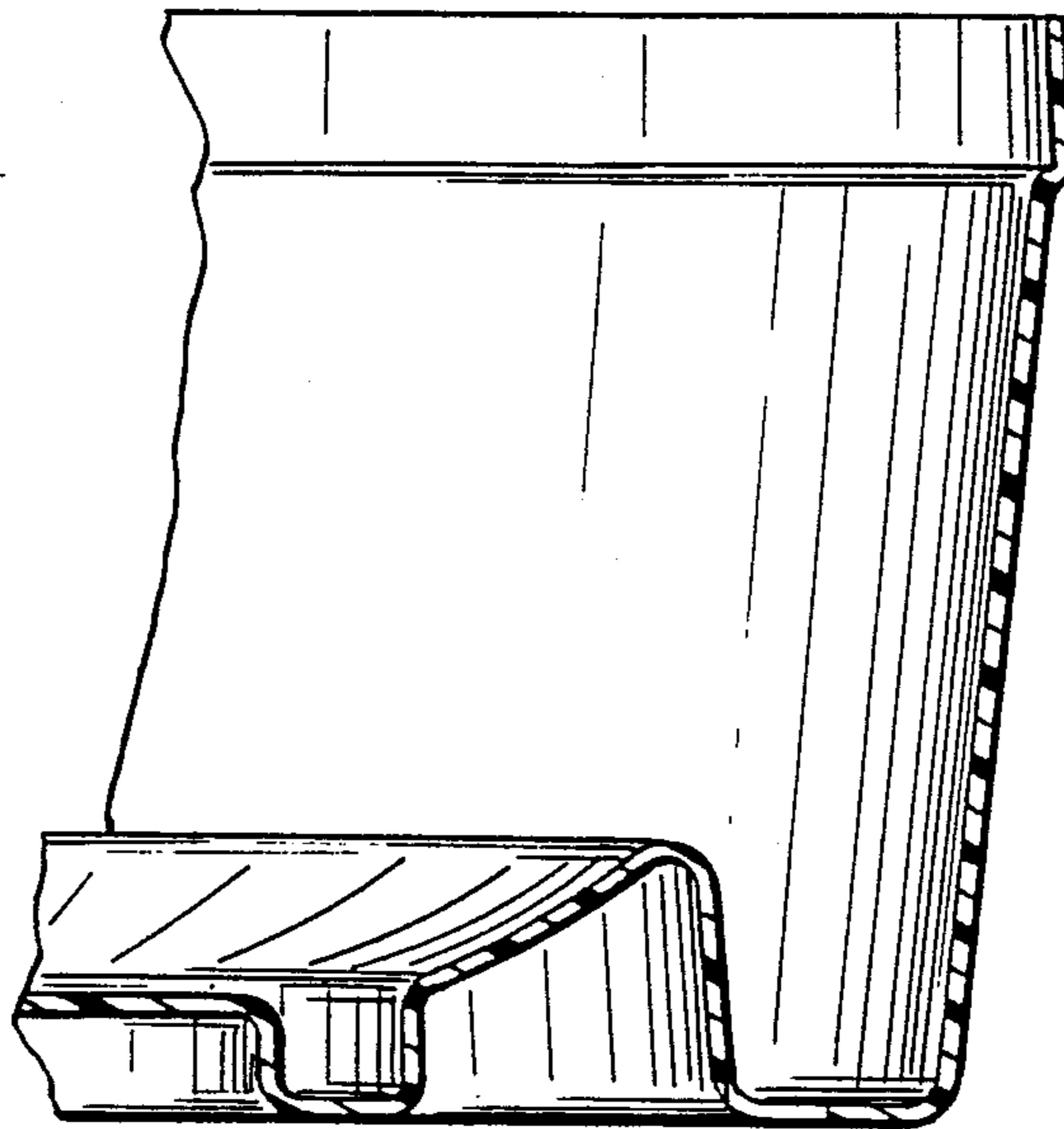


FIG. 8