

[54] **BRACKET FOR SUSPENDING A HIBACHI FROM A PORCH RAILING**

[76] **Inventor: Arthur Landrum, 8418 O'Bannon Ct., Richmond, Va. 23228**

[**] **Term: 14 Years**

[21] **Appl. No.: 130,971**

[22] **Filed: Dec. 10, 1987**

[52] **U.S. Cl. D8/373; D8/367; D8/372**

[58] **Field of Search D8/373, 372, 367; 248/304, 214, 215; D11/154, 156, 402, 403, 404; D7/409, 406, 407; D6/571, 567, 125, 569**

[56] **References Cited**

U.S. PATENT DOCUMENTS

D. 13,698	3/1883	Hotchkiss	D8/371
D. 24,174	4/1895	Liebhauser	D6/567
D. 156,394	12/1949	Yohey	D11/156
D. 175,295	8/1975	Caldwell	D7/406
D. 214,383	6/1969	Johnson	D8/371
D. 254,462	3/1980	Heckathorn	D6/571
D. 259,313	5/1981	Nordlund	D8/373 X
D. 259,314	5/1981	Nordlund	D8/373
D. 266,827	11/1982	Withrow	D8/373

D. 272,023	1/1984	Mayer et al.	D6/569
D. 284,721	7/1986	Carter	D6/567
D. 286,009	10/1986	Nadav	D6/567
D. 296,861	7/1988	Fielding et al.	D7/402
2,515,293	7/1950	Carter	D8/372 X
4,479,422	10/1984	Wagstoff	D7/409
4,557,452	12/1985	Khuang	248/214
4,880,200	11/1989	Champagne et al.	248/304

Primary Examiner—Horace B. Fay, Jr.
Attorney, Agent, or Firm—Norman B. Rainer

[57] **CLAIM**

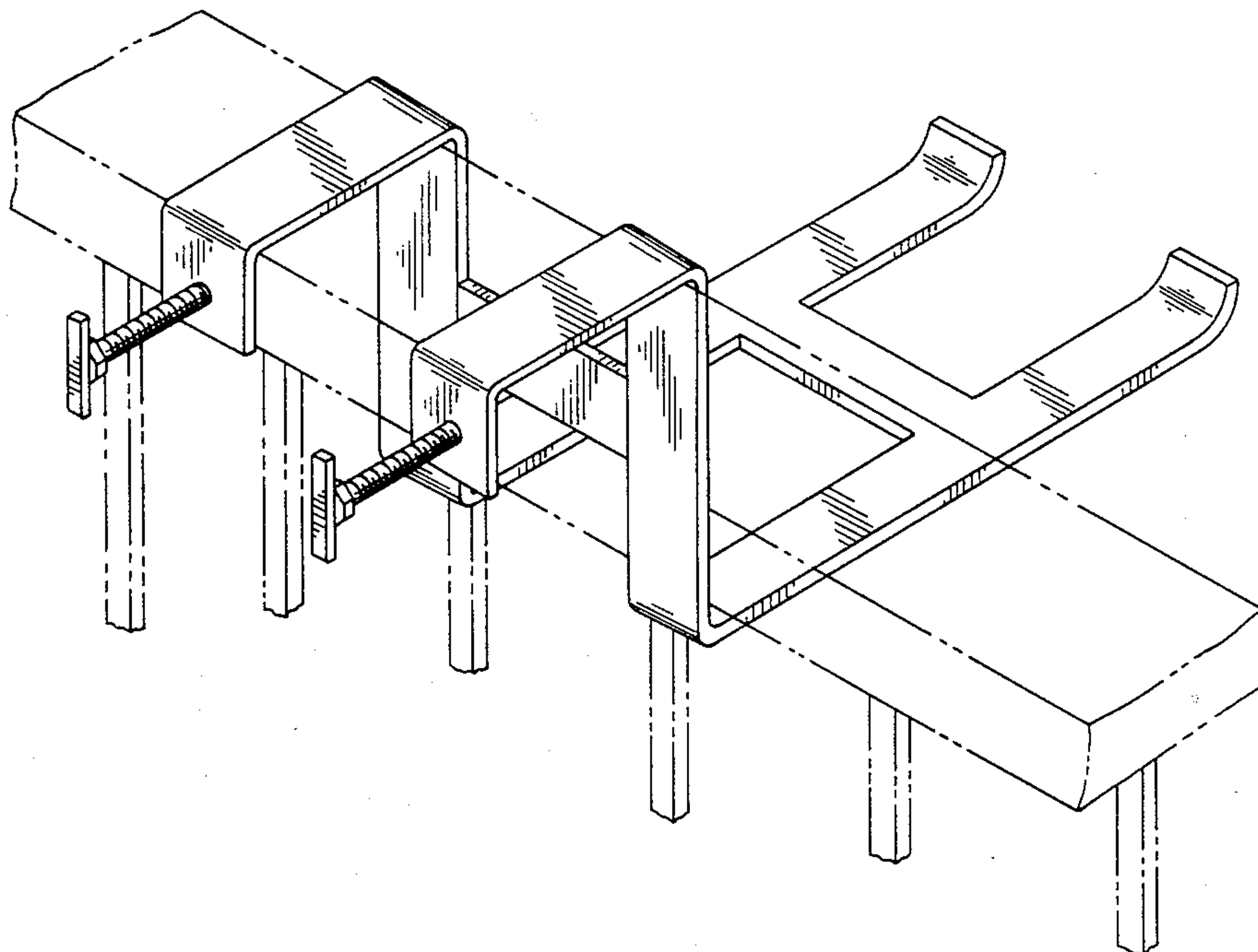
The ornamental design for a bracket for suspending a hibachi from a porch railing, as shown and described.

DESCRIPTION

FIG. 1 is a perspective view of a bracket for suspending an hibachi from a porch railing showing my new design; FIG. 2 is a side elevational view thereof, the side opposite being a mirror image;

FIG. 3 is a top plan view thereof; and FIG. 4 is a front elevational view thereof.

The broken line showing of a porch railing in FIG. 1, and a porch railing in FIG. 2, and an hibachi in FIG. 2, is for illustrative purposes only and forms no part of the claimed design.



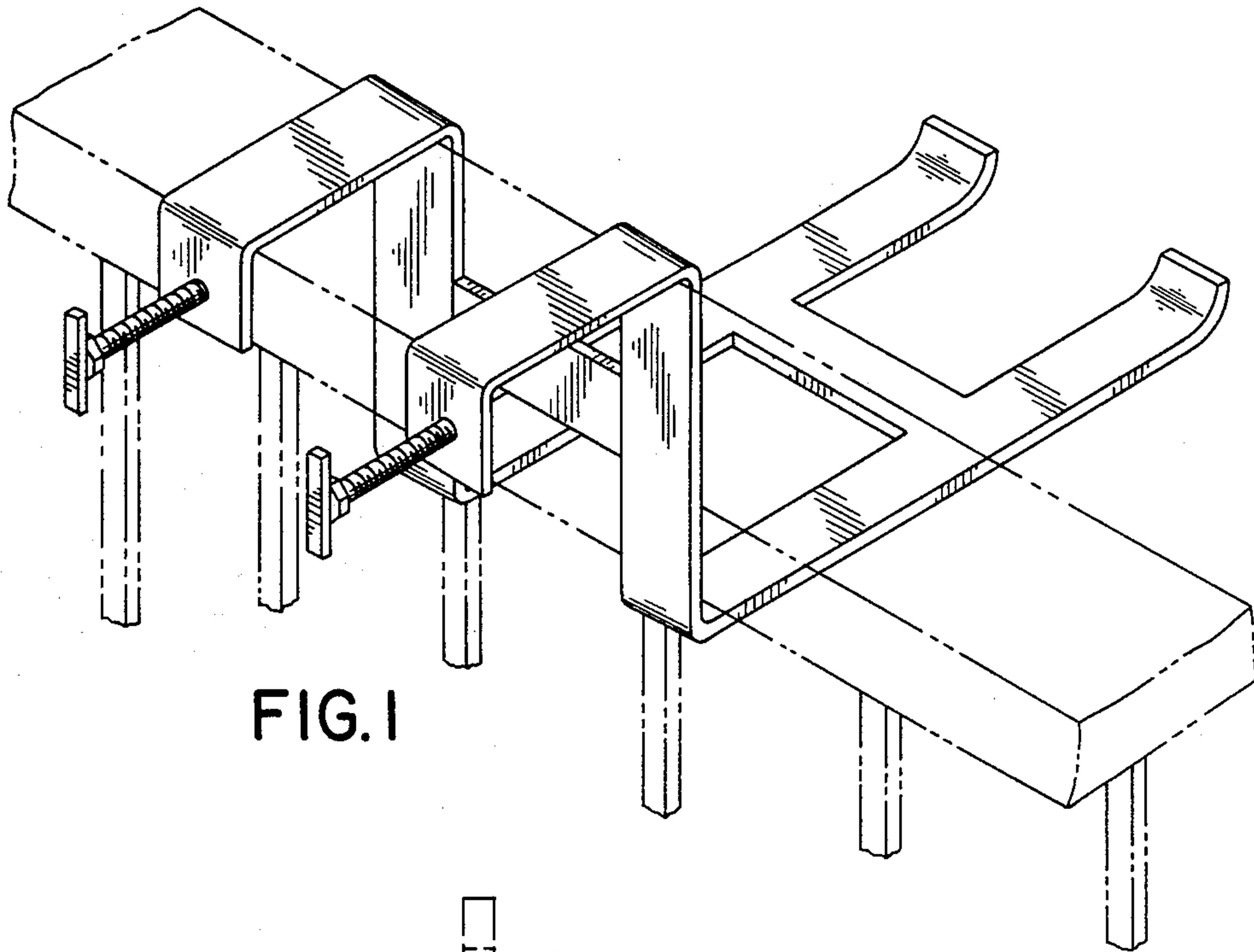


FIG. 1

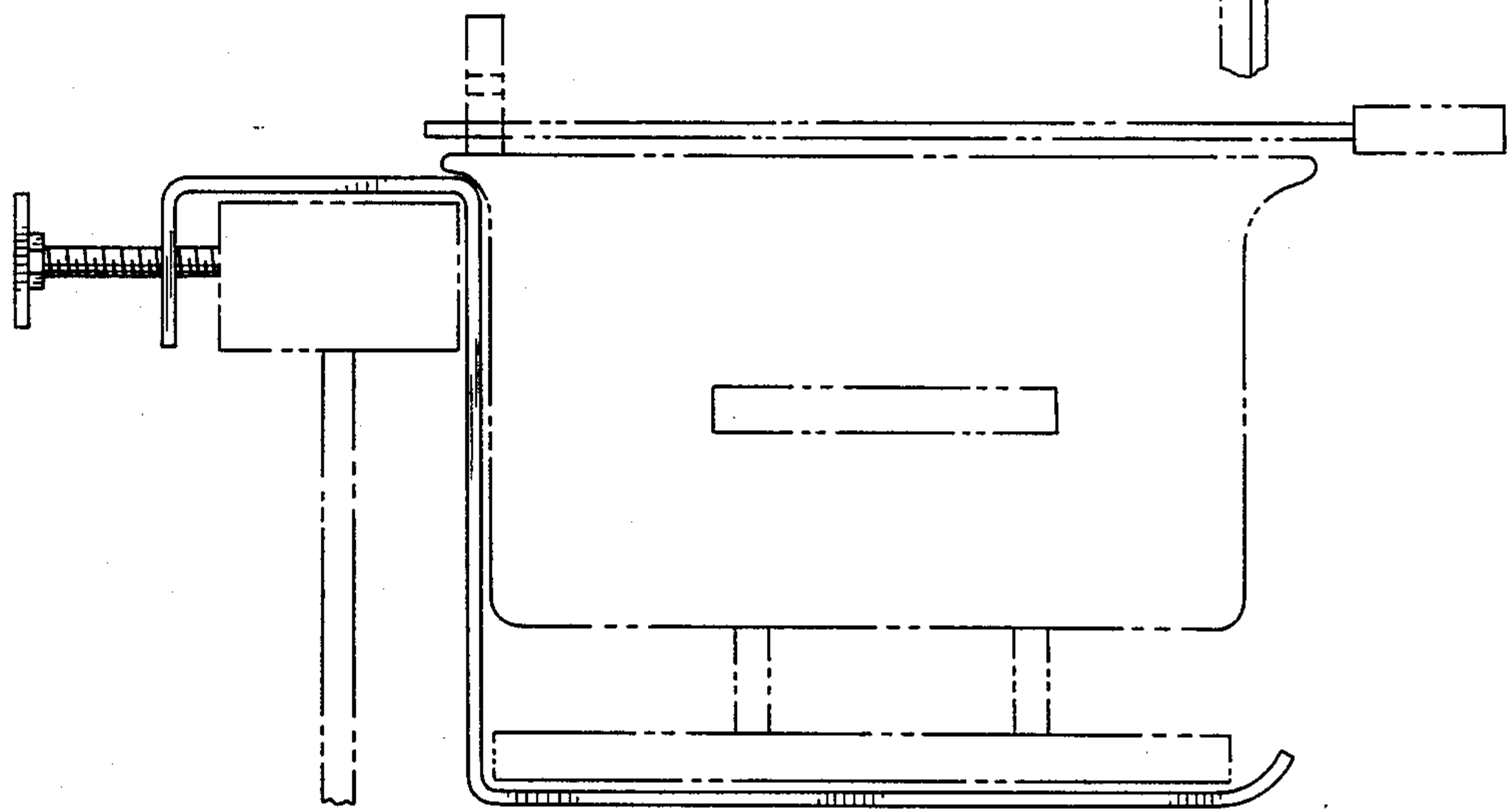


FIG. 2

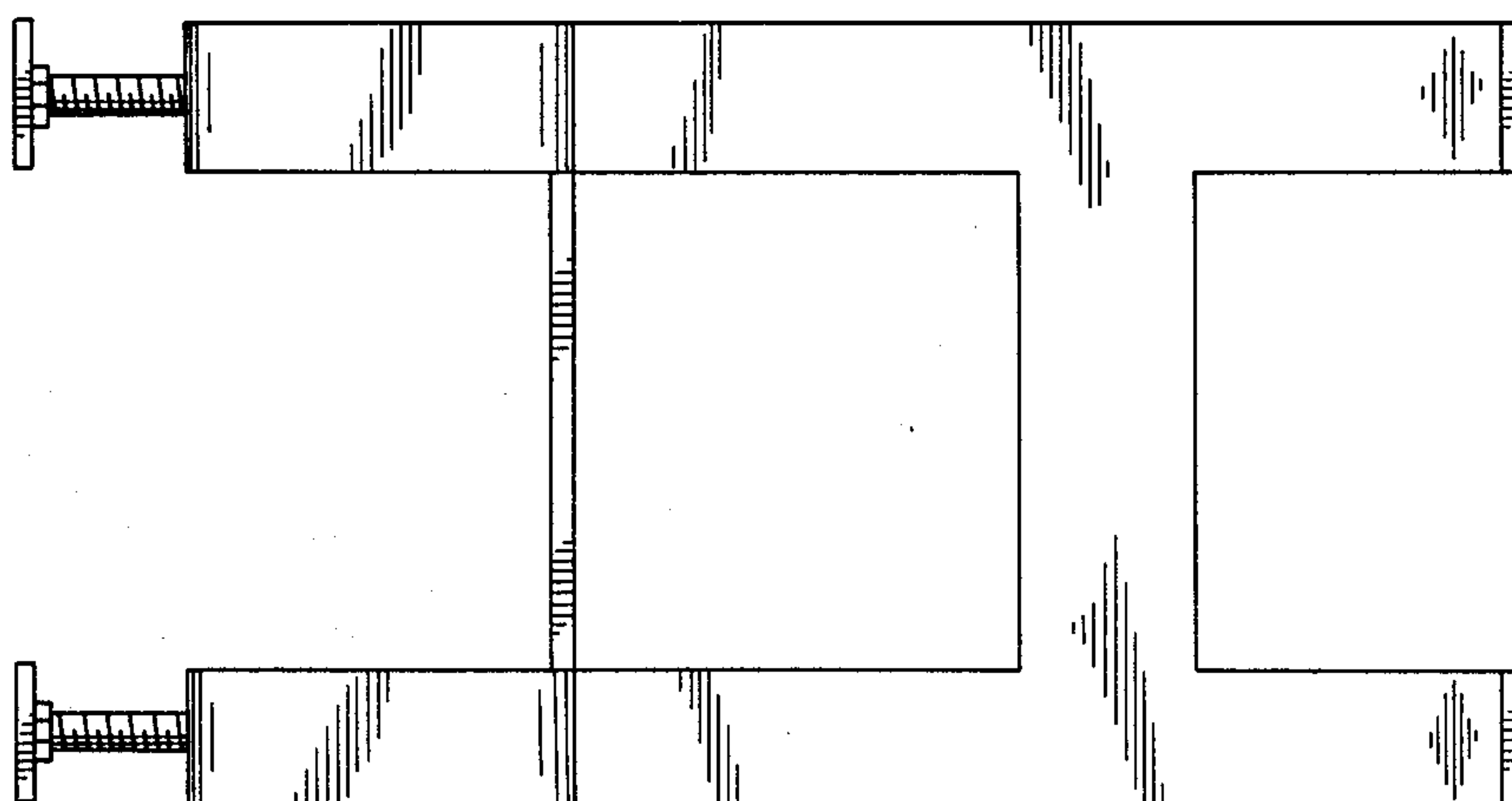


FIG. 3

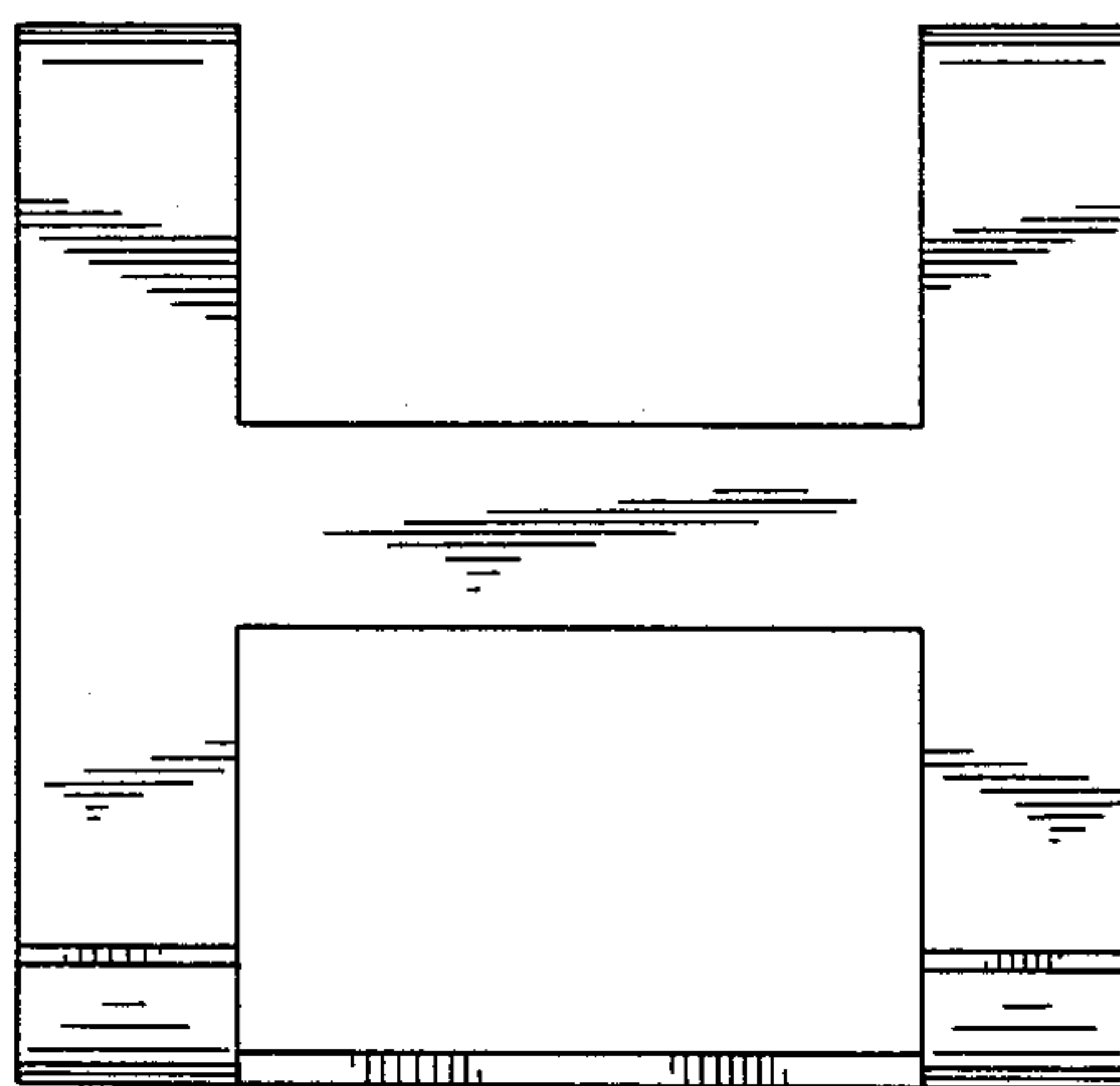


FIG. 4