

[54] LOCKING DEVICE HOUSING FOR AN OUTBOARD MOTOR OR SIMILAR ARTICLE

[75] Inventors: Sven A. Johansson; Lars J. Y. Sandin; Peter O. E. Stiebel, all of Saltsjöbaden, Sweden

[73] Assignee: Marine Protect AB

[**] Term: 14 Years

[21] Appl. No.: 897,983

[22] Filed: Aug. 19, 1986

[30] Foreign Application Priority Data

Feb. 27, 1986 [SE] Sweden 860484

[52] U.S. Cl. D8/354; 248/640

[58] Field of Search D8/354; 248/640

[56] References Cited

U.S. PATENT DOCUMENTS

- D. 130,168 10/1941 Hodges D8/354
- D. 247,738 4/1978 Rynearson D8/354

- D. 277,726 2/1985 Gallaway D8/356
- 4,168,818 9/1979 Ellis 248/640
- 4,508,219 4/1985 O'Neill 248/640 Y
- 4,685,888 8/1987 Brewer 248/640 X
- 4,763,871 8/1988 Probst 248/640
- 4,778,415 10/1988 Knotts 248/640 X

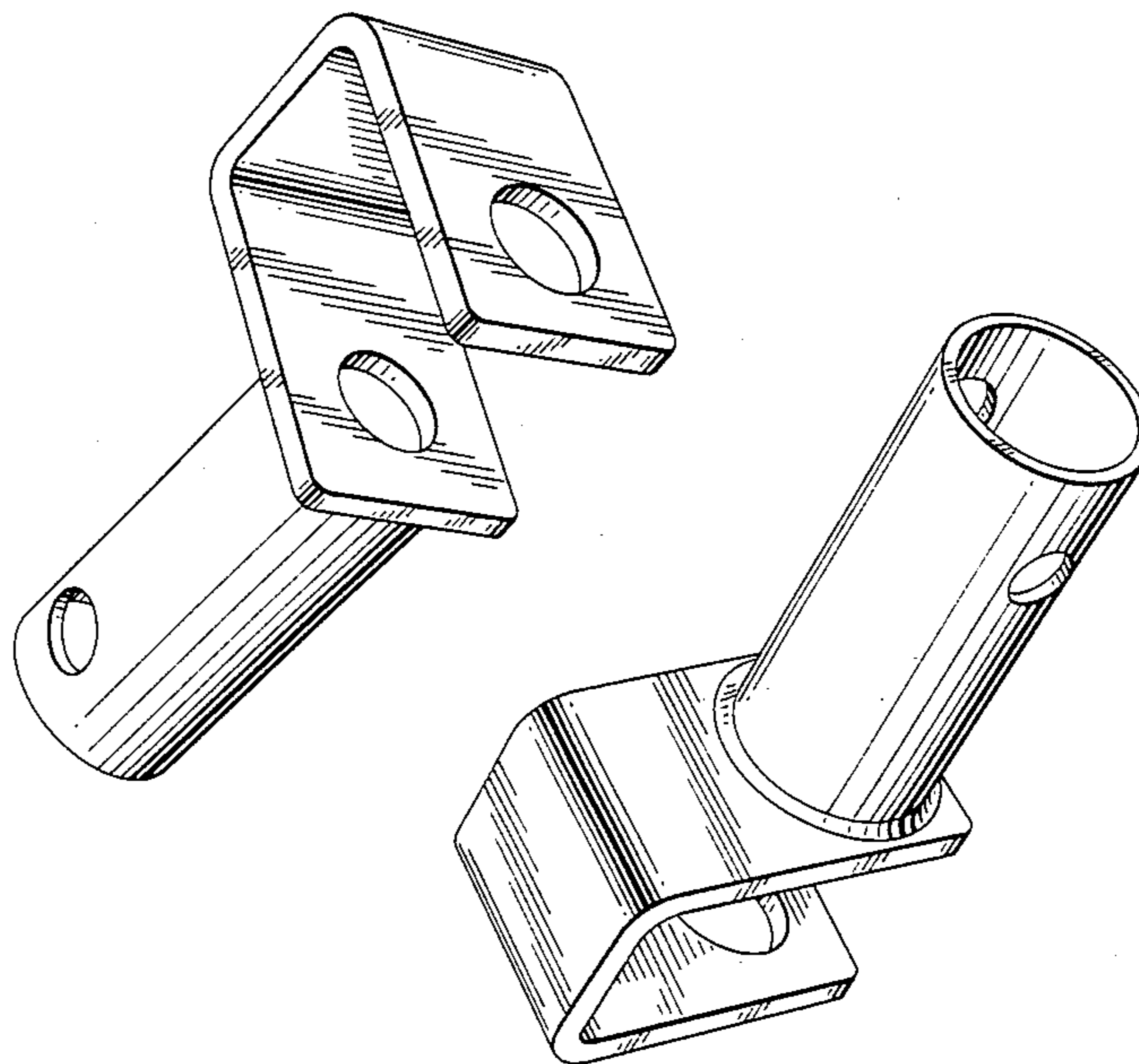
Primary Examiner—Horace B. Fay, Jr.
Attorney, Agent, or Firm—Burns, Doane, Swecker & Mathis

[57] CLAIM

The ornamental design for locking device housing for an outboard motor or similar article, as shown and described.

DESCRIPTION

FIG. 1 is a perspective view of a locking device housing for an outboard motor or similar article showing our new design;
FIG. 2 is a perspective view seen from the side opposite to FIG. 1;
FIG. 3 is an end view thereof; and
FIG. 4 is a side view thereof.



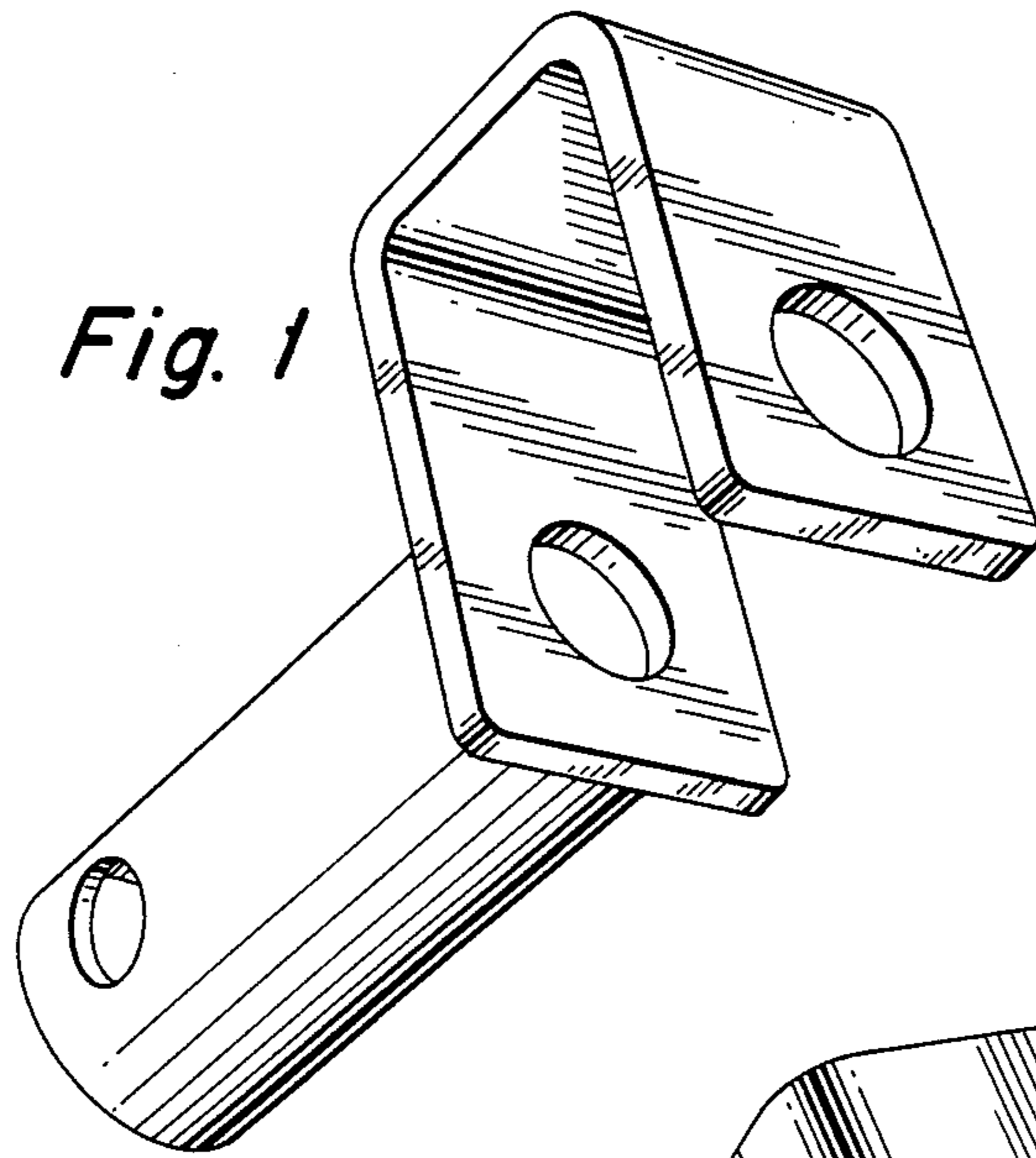


Fig. 1

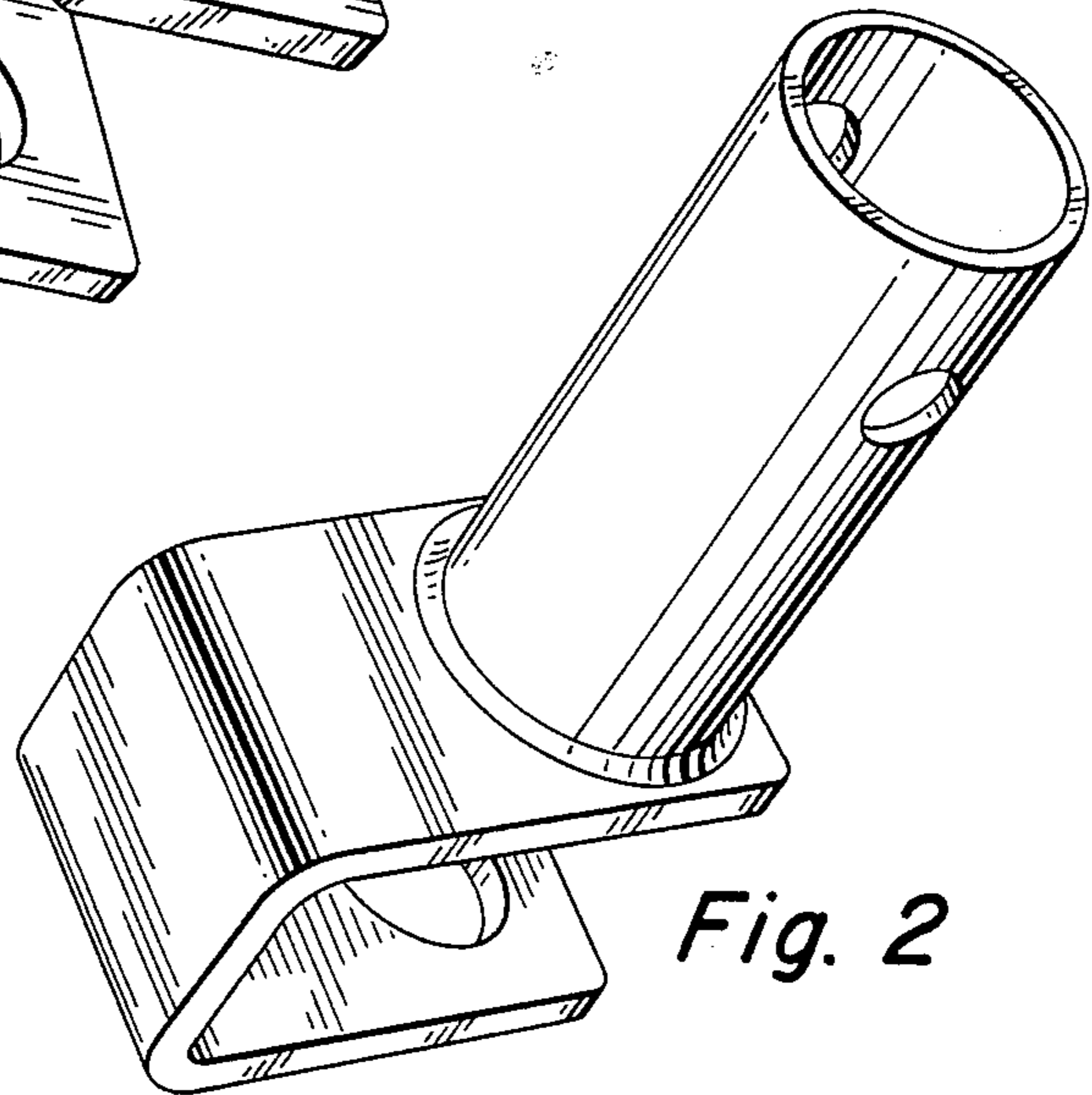


Fig. 2

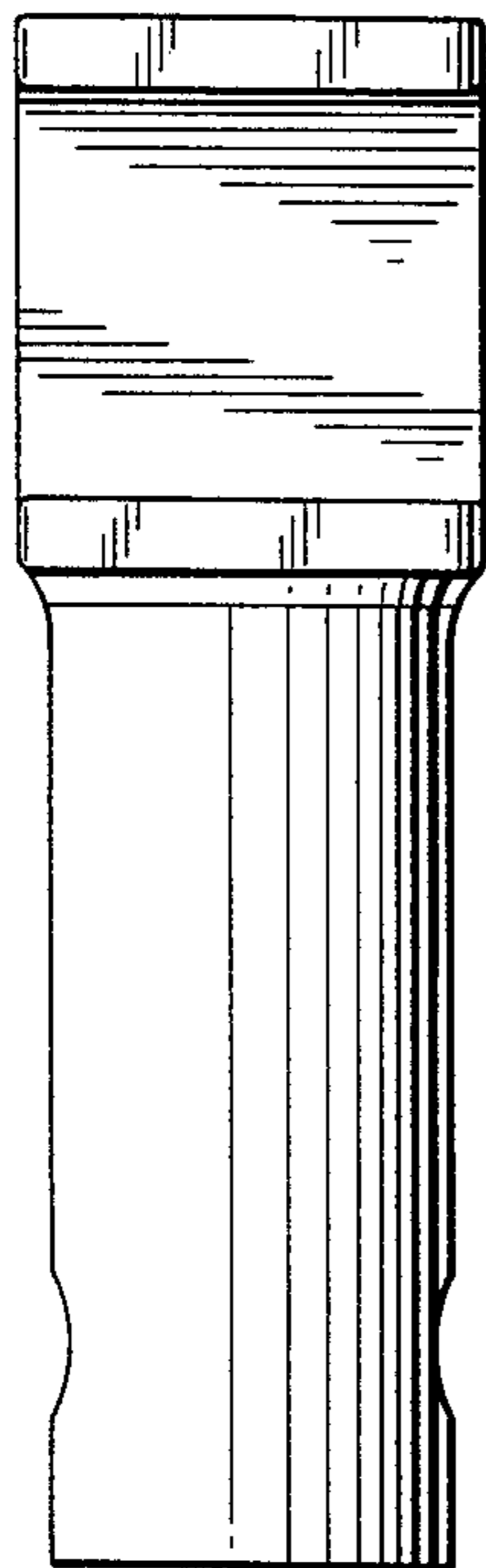


Fig. 4

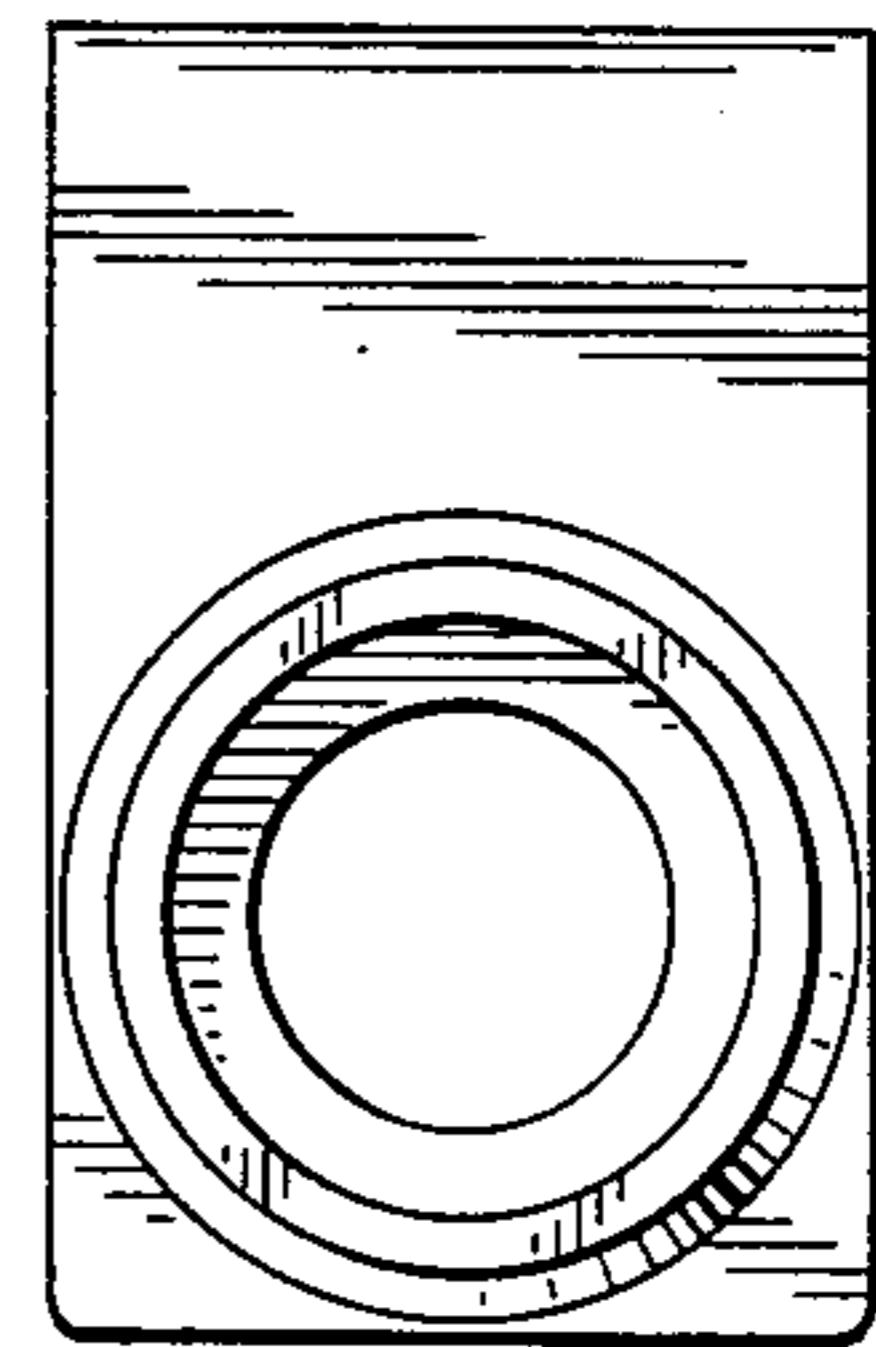


Fig. 3