

[54] HYDRAULIC PUNCH DRIVER

[75] Inventor: Edward S. Freiwald, Rockford, Ill.
[73] Assignee: Greenlee Textron Inc., Rockford, Ill.
[**] Term: 14 Years
[21] Appl. No.: 121,732
[22] Filed: Nov. 17, 1987
[52] U.S. Cl. D8/67; D8/98
[58] Field of Search D8/61, 67, 98; 29/270,
29/278, 281; 72/453.15, 453.16, 453.17

[56] References Cited

U.S. PATENT DOCUMENTS

D. 261,097 10/1981 Wallace et al. D8/61
4,339,942 7/1982 Svensson 72/453.16

OTHER PUBLICATIONS

Gardner-Denver advertisement; 1 page; 6/69; Section 11, p. 425, 1st edition "40-Series Angle Drills".

Primary Examiner—Winifred E. Herrmann
Assistant Examiner—John Warchol
Attorney, Agent, or Firm—R. A. Giangiorgi

[57] CLAIM

The ornamental design for a hydraulic punch driver, as shown.

DESCRIPTION

FIG. 1 is a top plan view of a hydraulic punch driver showing my new design;
FIG. 2 is a right side elevational view thereof;
FIG. 3 is a rear end elevational view thereof;
FIG. 4 is a left side elevational view thereof;
FIG. 5 is a front end elevational view thereof; and
FIG. 6 is a bottom plan view thereof.

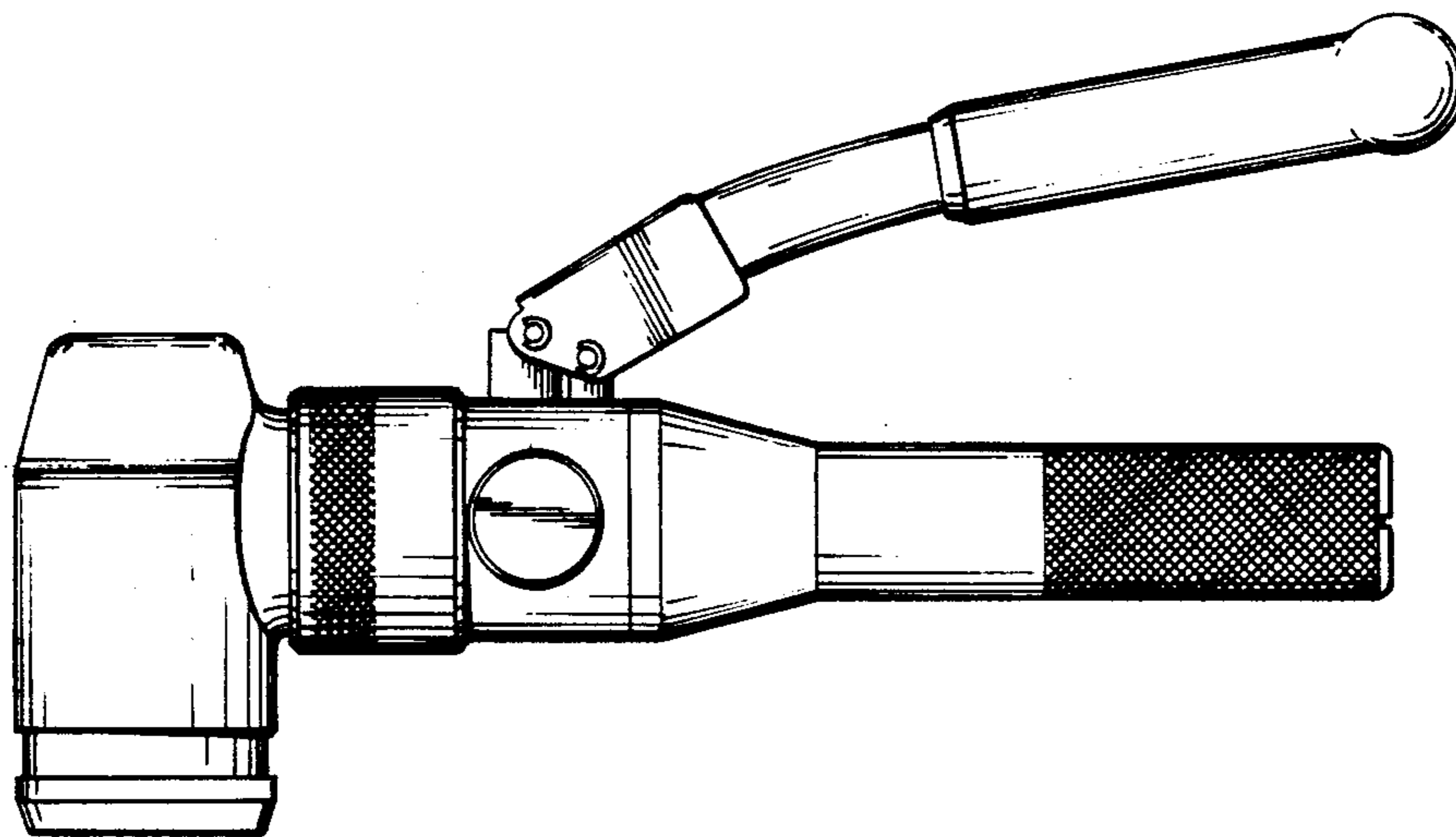


FIG. 1

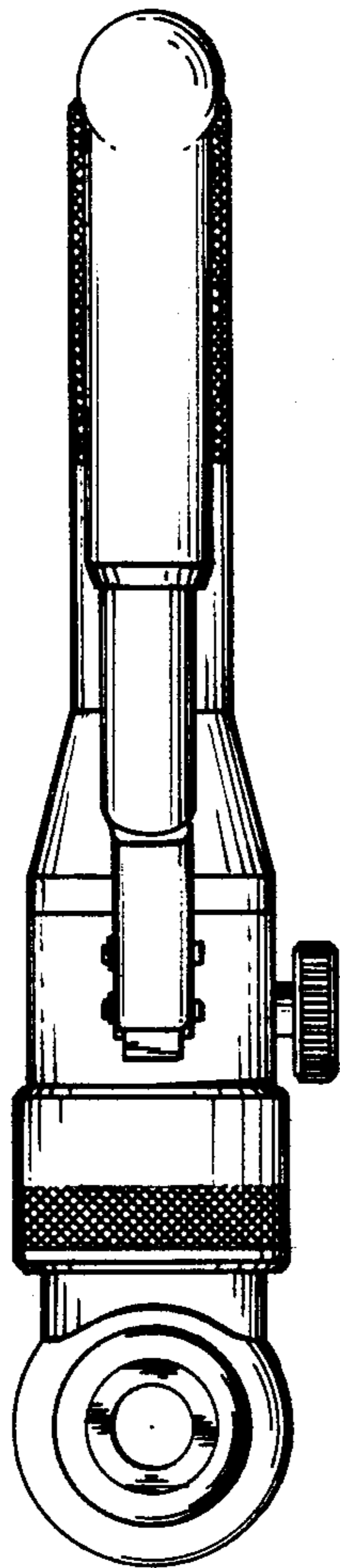


FIG. 3

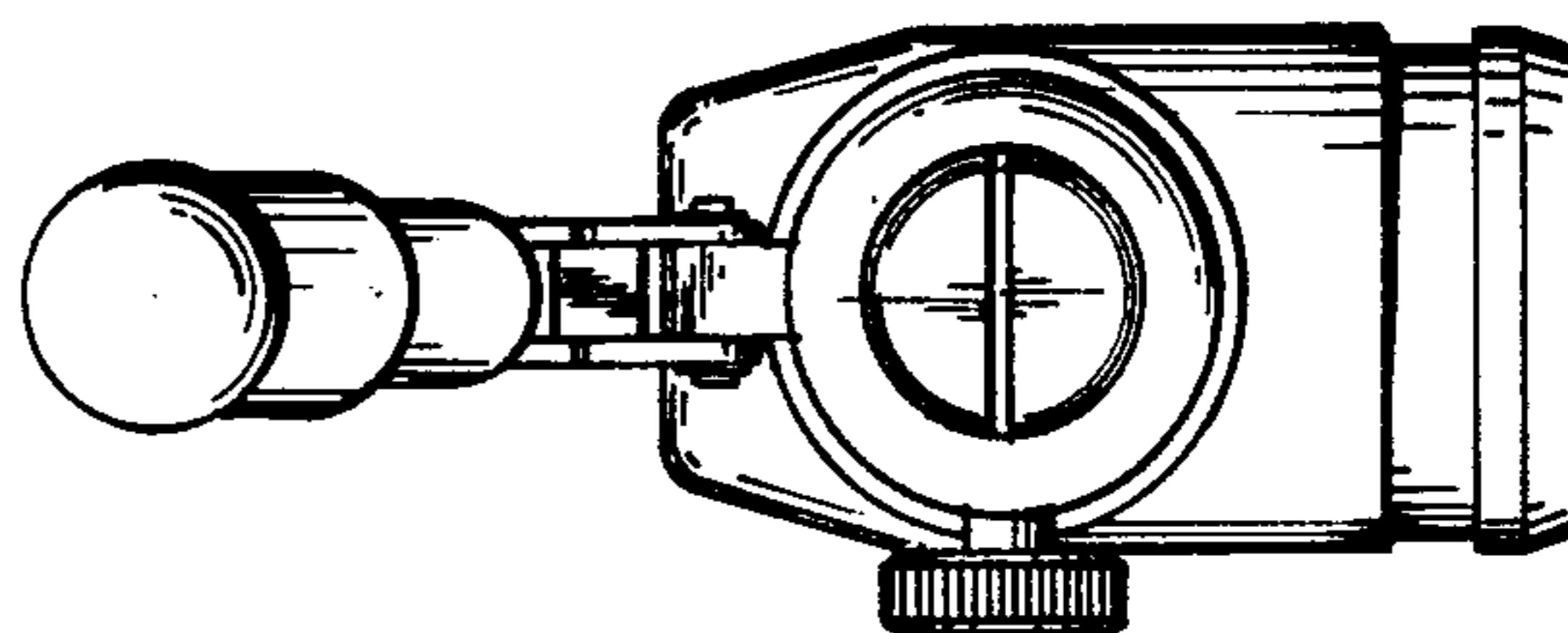
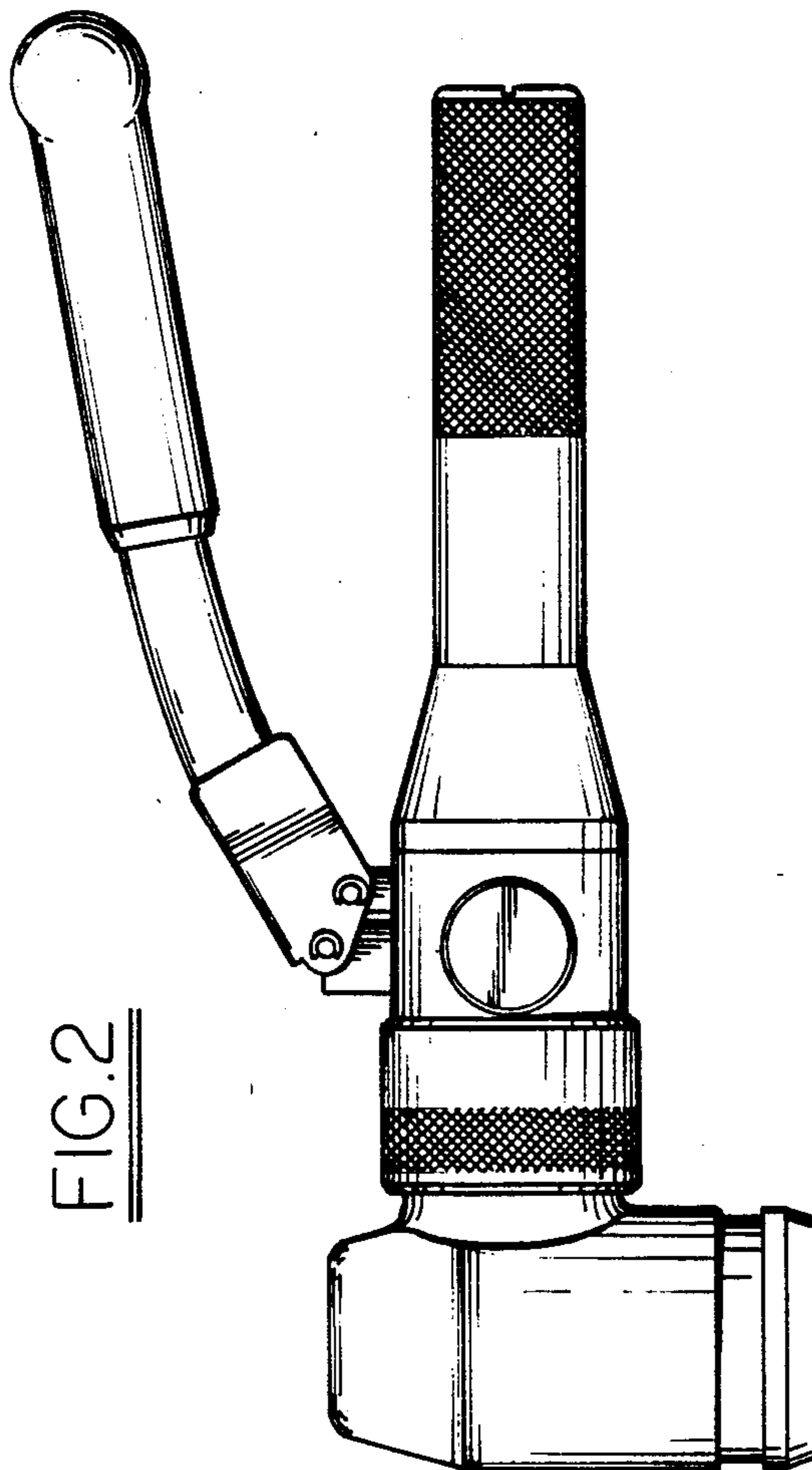


FIG. 2



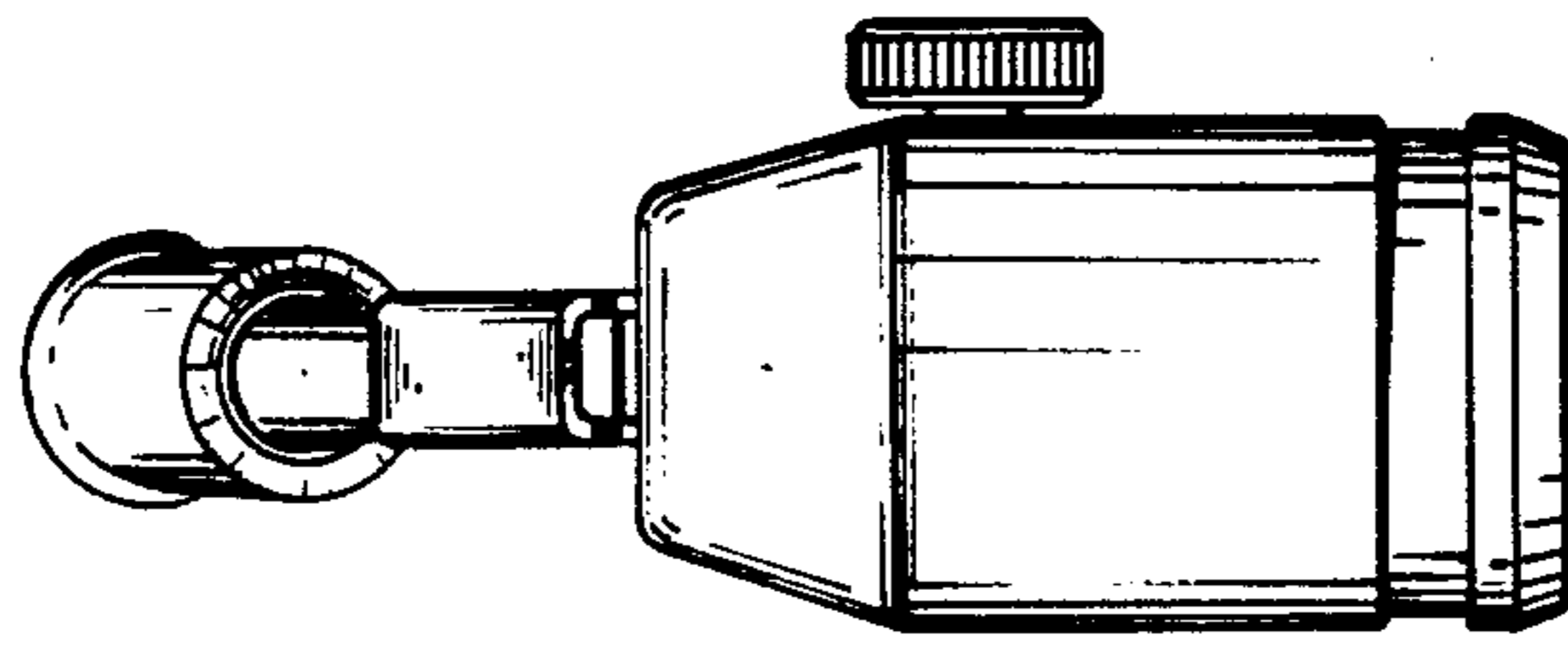


FIG. 5

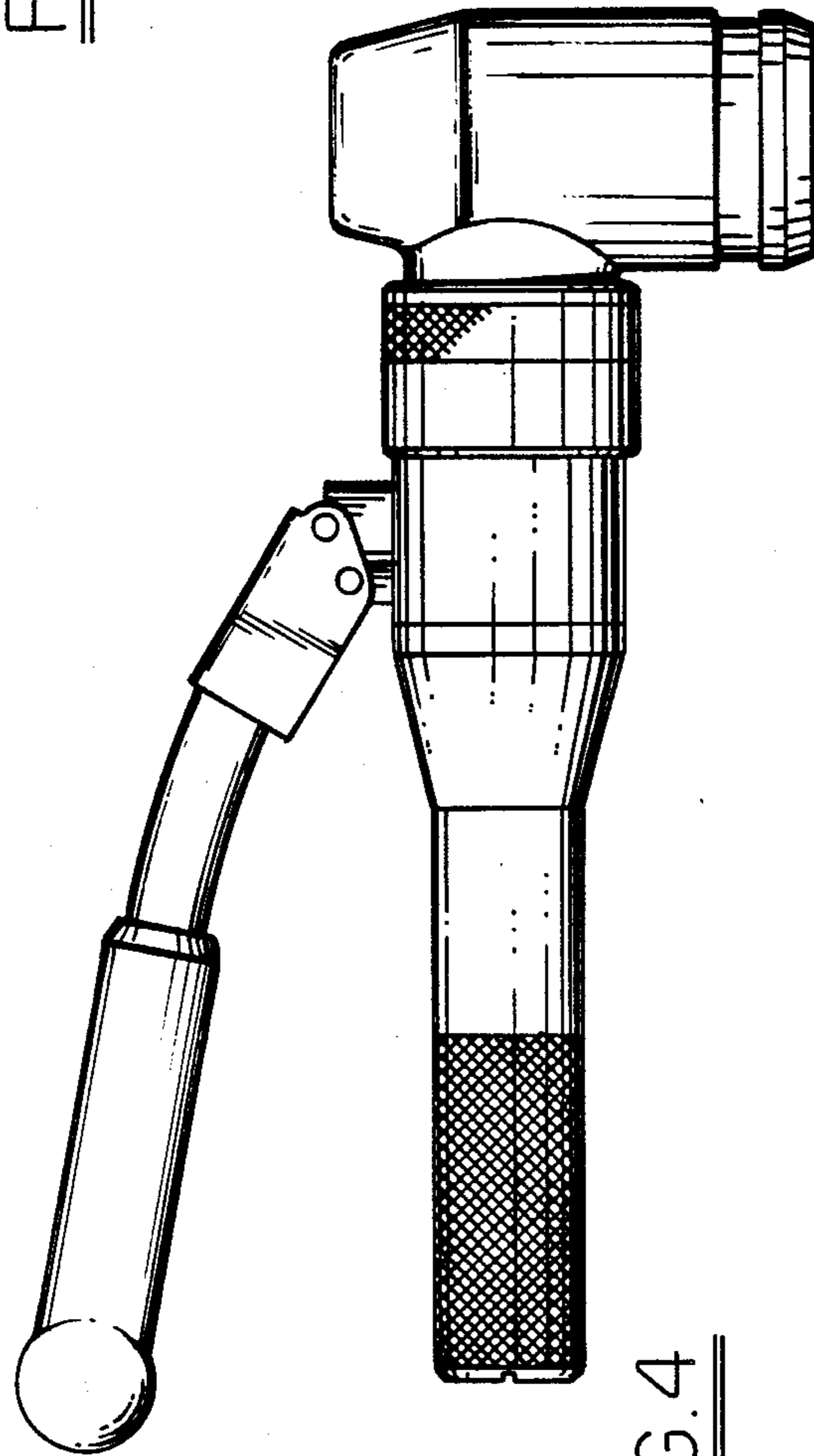


FIG. 4

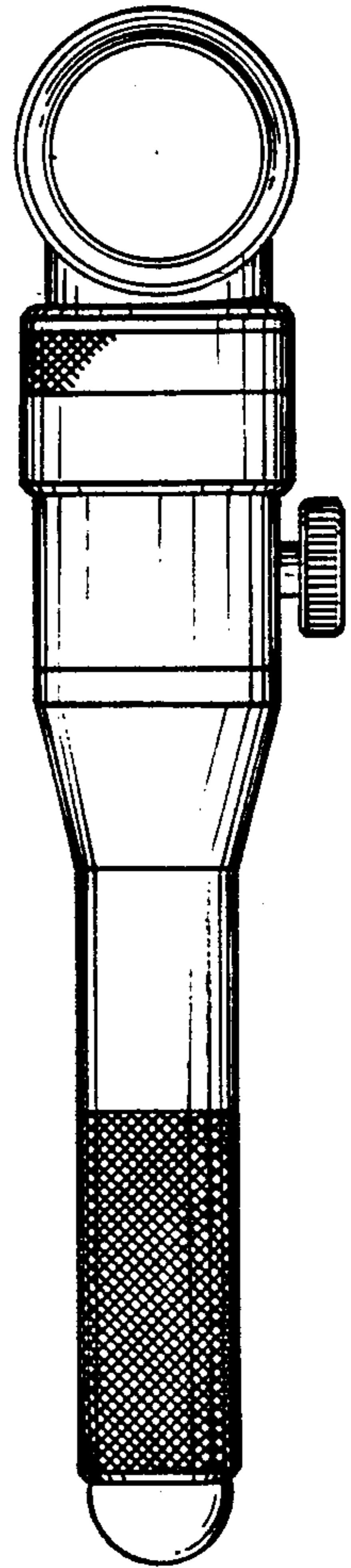


FIG. 6