

[54] **CORDLESS RECIPROCATING SAW**

[75] **Inventors:** Ulrich Reiferscheid, Ravensburgh, Fed. Rep. of Germany; Daniel Bone, Langley Moor, England

[73] **Assignee:** Black & Decker Inc., Newark, Del.

[\*\*] **Term:** 14 Years

[21] **Appl. No.:** 137,446

[22] **Filed:** Dec. 23, 1987

[30] **Foreign Application Priority Data**

Jul. 10, 1987 [GB] United Kingdom ..... 1043380

[52] **U.S. Cl.** ..... D8/64; D7/646

[58] **Field of Search** ..... D8/61, 64; D7/646; 30/273, 377, 392, 393

[56] **References Cited**

**U.S. PATENT DOCUMENTS**

- D. 277,451 2/1985 Barnik ..... D8/64
- D. 302,785 8/1989 Cunningham ..... D8/61 X
- D. 303,346 9/1989 Ogawa ..... D8/61

**OTHER PUBLICATIONS**

Copy of European Patent Publication No. 0 217 527 (published Apr. 8, 1987).

Copy of Sales Pamphlet of Makita Padsaw (published date not known).

Copy of Published Article Headed "ON TEST", (publication date not known).

Four Photocopies of Photographs of Makita Reciprocating Saw (publication date not known).

*Primary Examiner*—Winifred E. Herrmann

*Assistant Examiner*—John Warchol

*Attorney, Agent, or Firm*—Dennis A. Dearing; Charles E. Yocum; Edward D. C. Bartlett

[57] **CLAIM**

The ornamental design for a cordless reciprocating saw, as shown and described.

**DESCRIPTION**

FIG. 1 is a top, front and right side perspective view of a cordless reciprocating saw showing our new design;

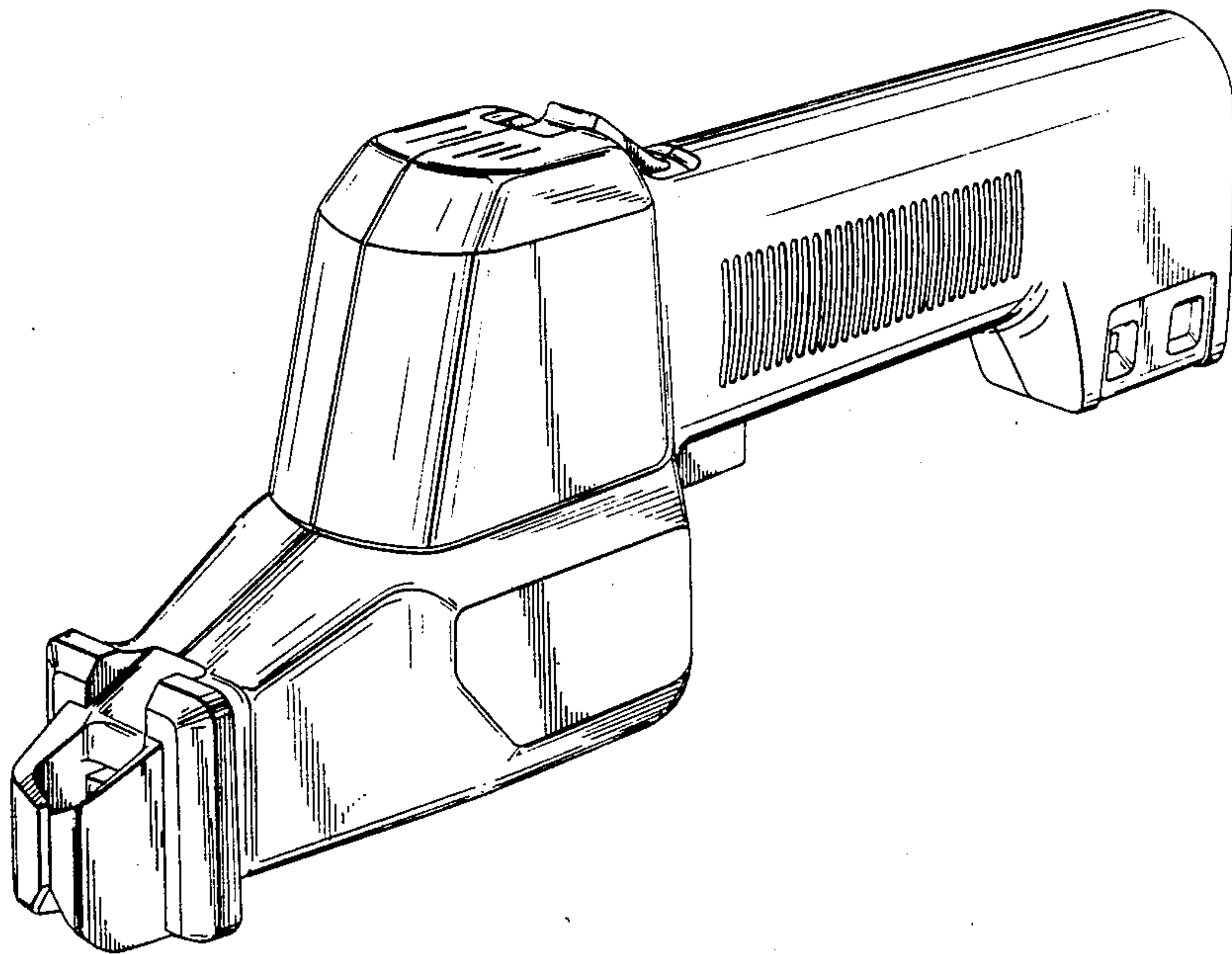
FIG. 2 is a left side elevational view;

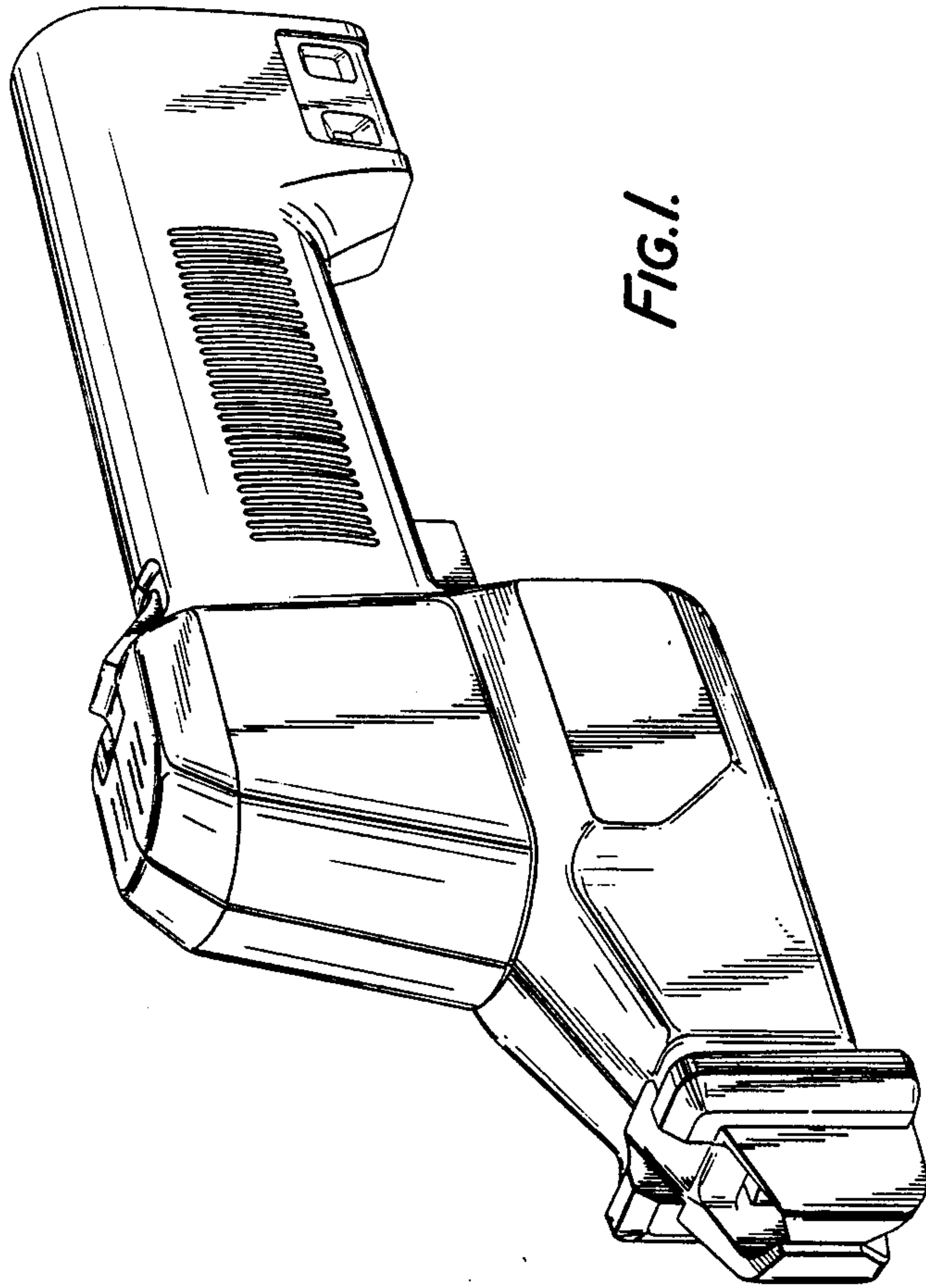
FIG. 3 is a top plan view;

FIG. 4 is a bottom plan view;

FIG. 5 is a front elevational view; and

FIG. 6 is a rear elevational view thereof.





*FIG. 1.*

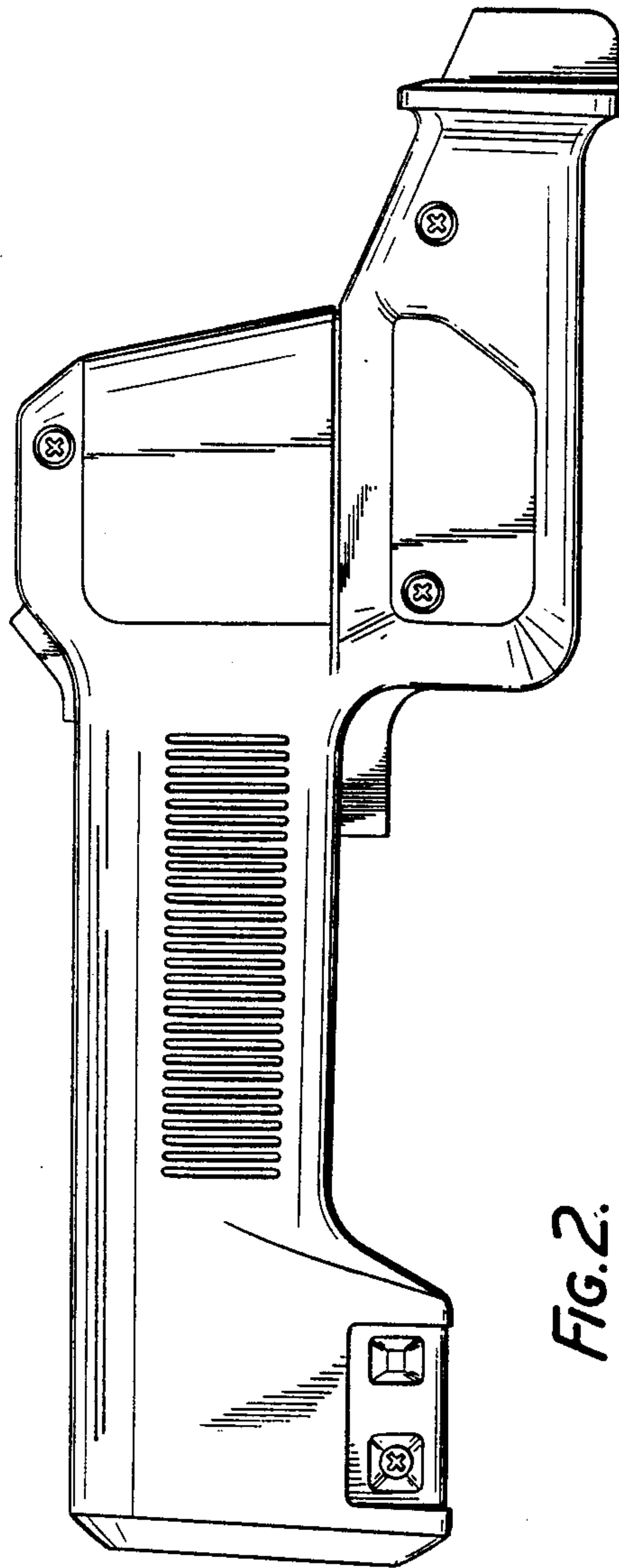


FIG. 2.

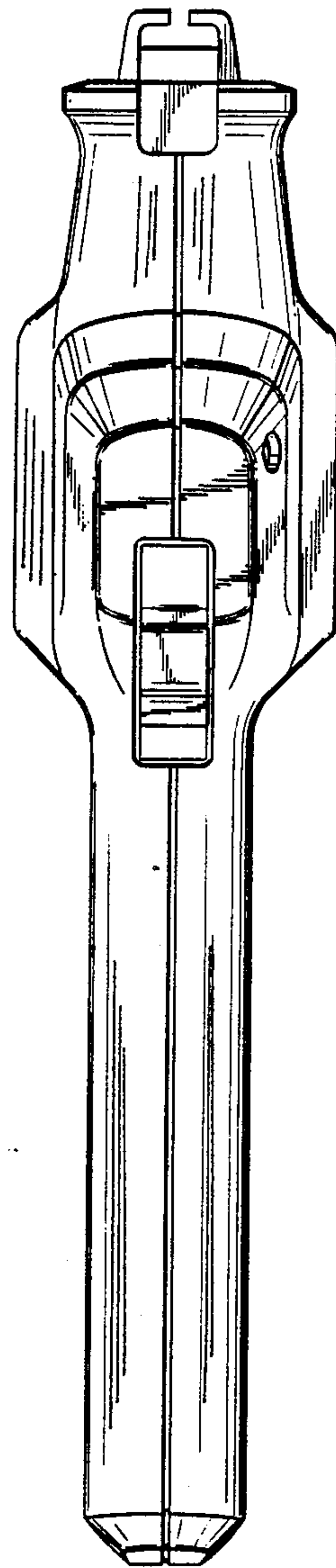


FIG. 3.

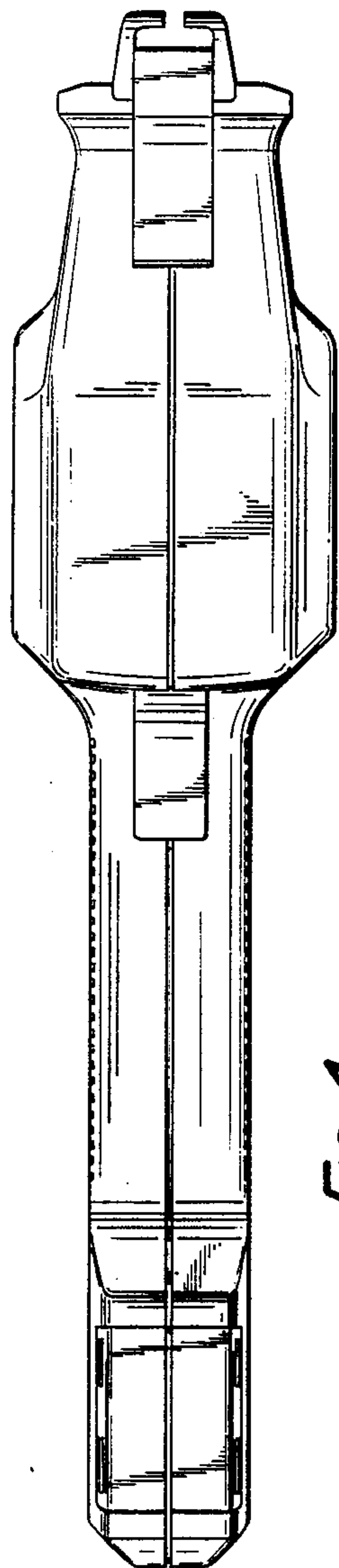


FIG. 4.

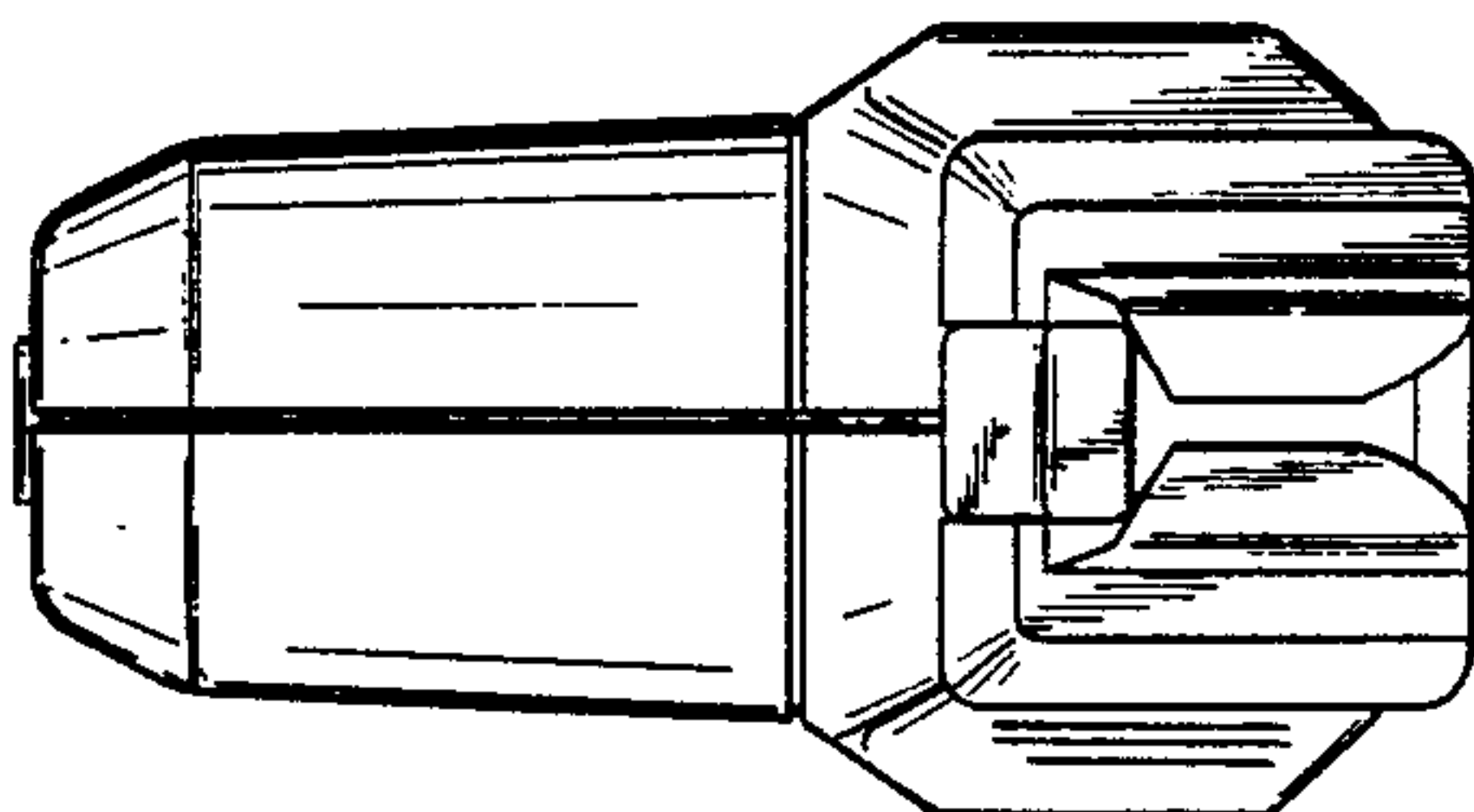


FIG. 5.

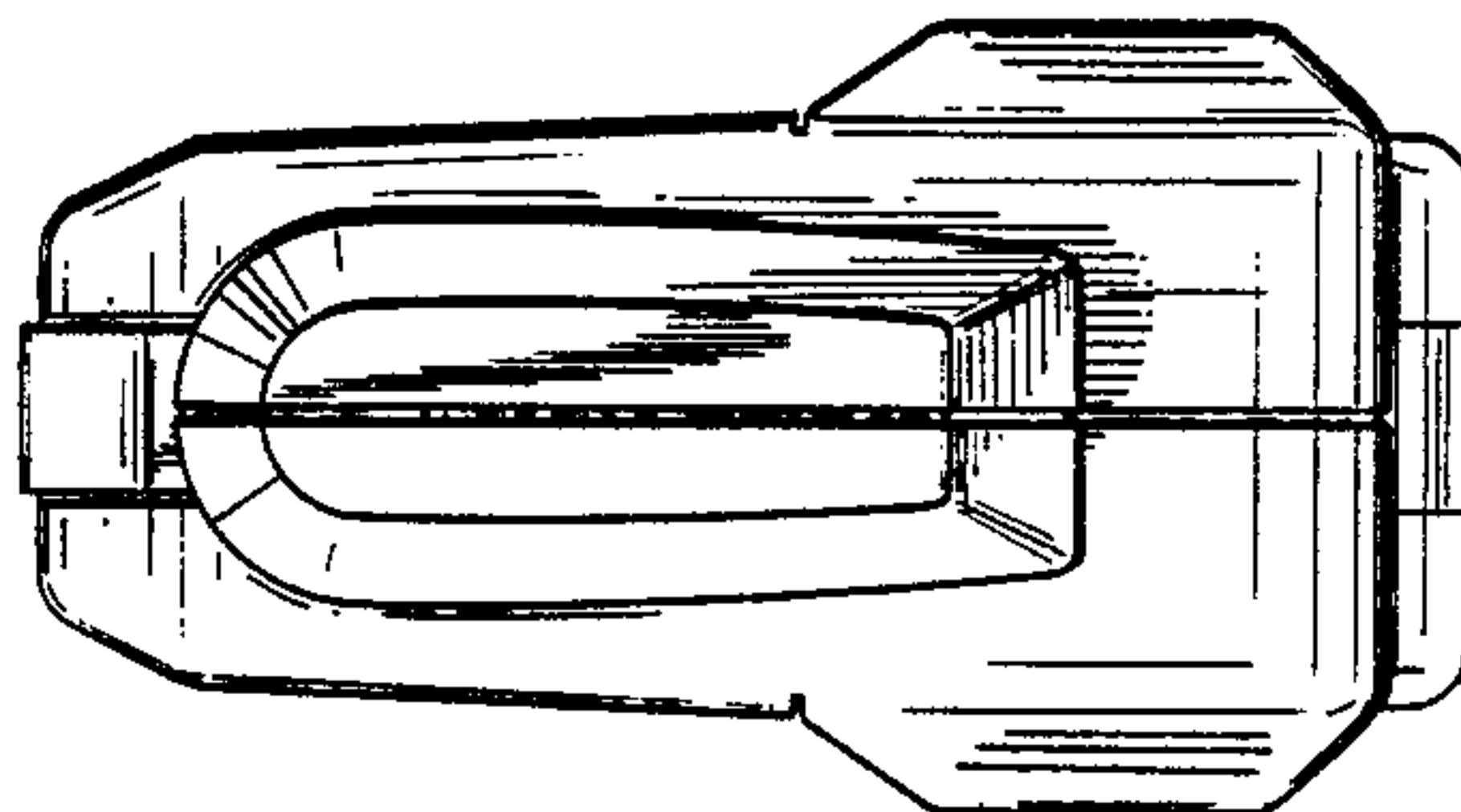


FIG. 6.