

United States Patent [19]

Saito et al.

[11] Patent Number: Des. 310,007

[45] Date of Patent: ** Aug. 21, 1990

[54] PORTABLE ELECTRIC SANDER

[75] Inventors: Toshiaki Saito, Tokyo; Toshimitsu Hashii, Hiroshima, both of Japan

[73] Assignee: Ryobi Ltd., Hiroshima, Japan

[**] Term: 14 Years

[21] Appl. No.: 123,477

[22] Filed: Nov. 20, 1987

[30] Foreign Application Priority Data

May 21, 1987 [JP] Japan 62-20059

[52] U.S. Cl. D8/62

[58] Field of Search D8/61, 62, 67-70;
51/170 R, 170 T, 170 TL, 170 MT

[56] References Cited

U.S. PATENT DOCUMENTS

D. 160,036 9/1950 Triolo D8/62

D. 187,875 5/1960 Madl D8/62
D. 272,511 2/1984 Sato et al. D8/62
D. 286,736 11/1986 Somers D8/62

Primary Examiner—Winifred E. Herrmann
Assistant Examiner—John Warchol
Attorney, Agent, or Firm—Sughrue, Mion, Zinn,
Macpeak & Seas

[57] CLAIM

The ornamental design for a portable electric sander, as shown.

DESCRIPTION

FIG. 1 is a front, top and right side perspective view of a portable electric sander showing our new design; FIG. 2 is a right side elevational view thereof; FIG. 3 is a left side elevational view thereof; FIG. 4 is a front elevational view thereof; FIG. 5 is a rear elevational view thereof; FIG. 6 is a top plan view thereof; and FIG. 7 is a bottom plan view thereof.

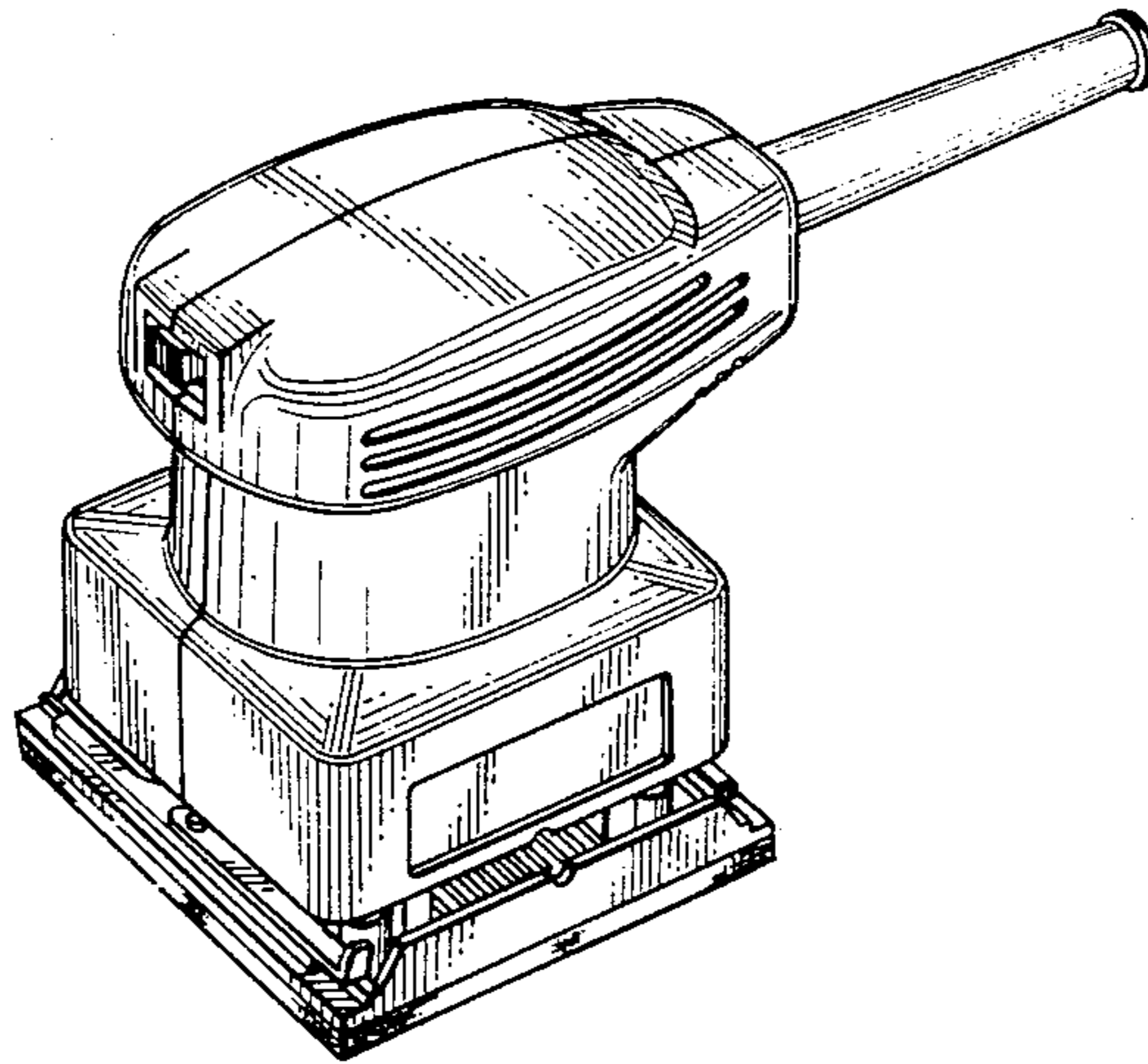


Fig. 1

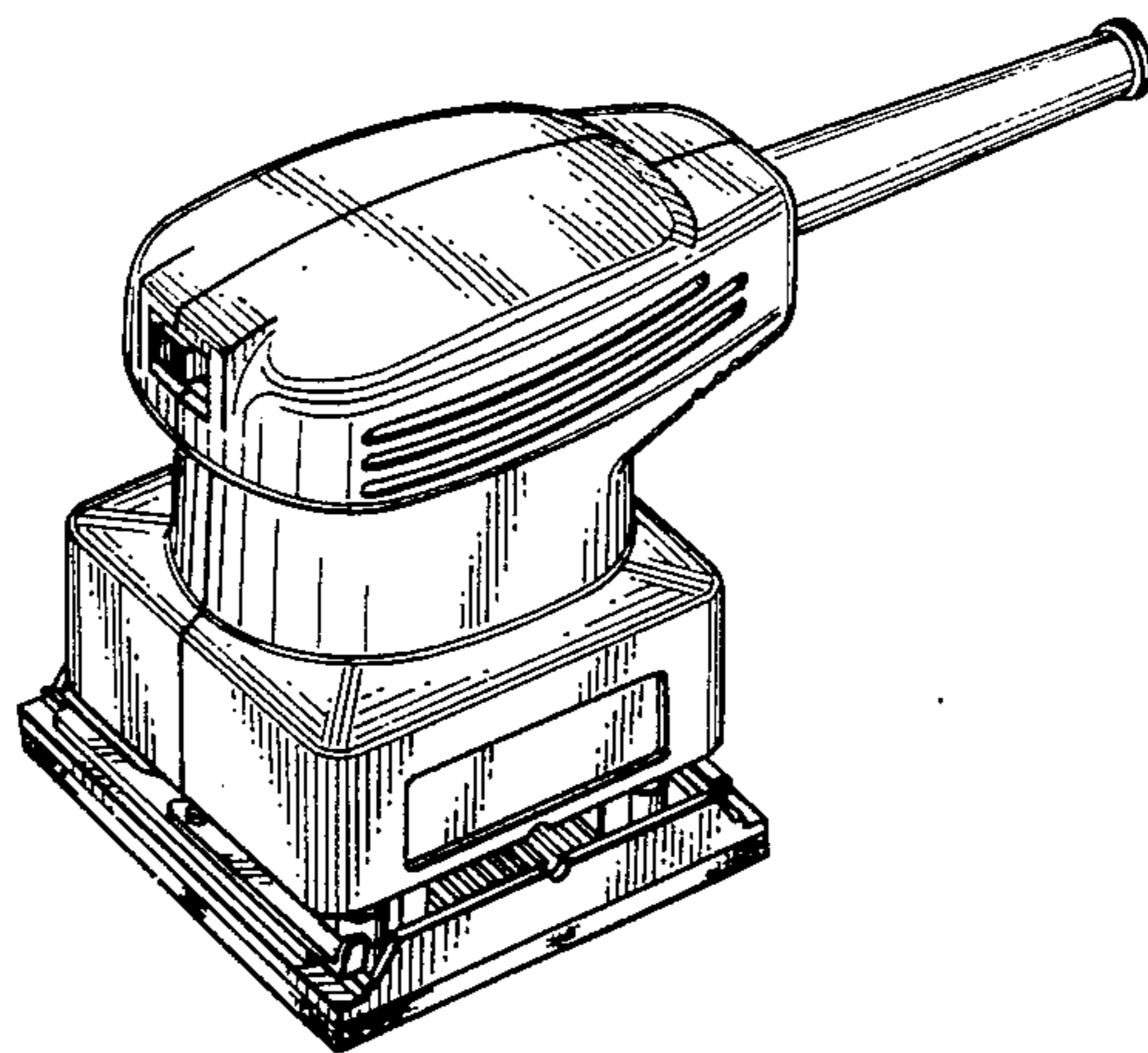


Fig. 2

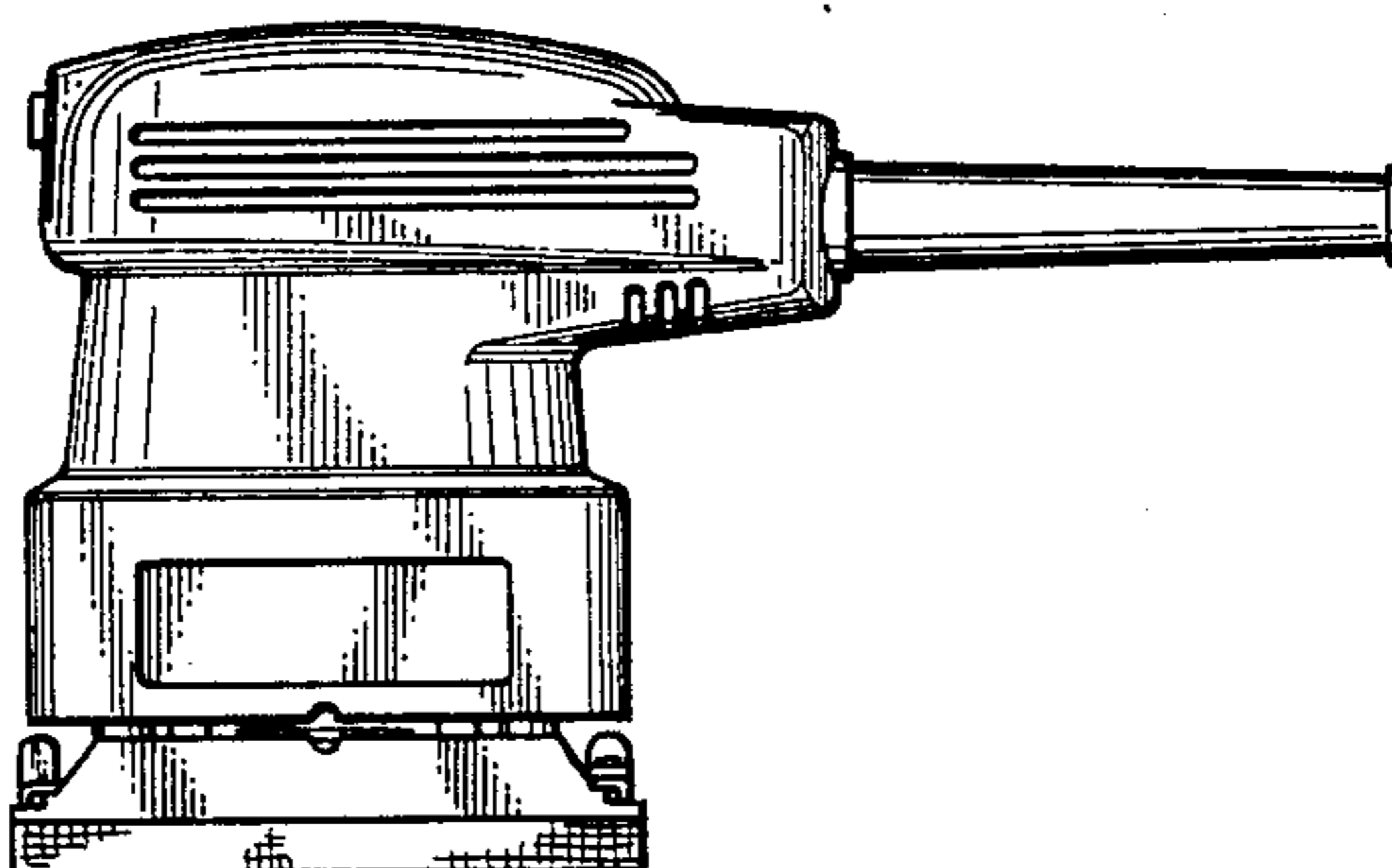


Fig. 3

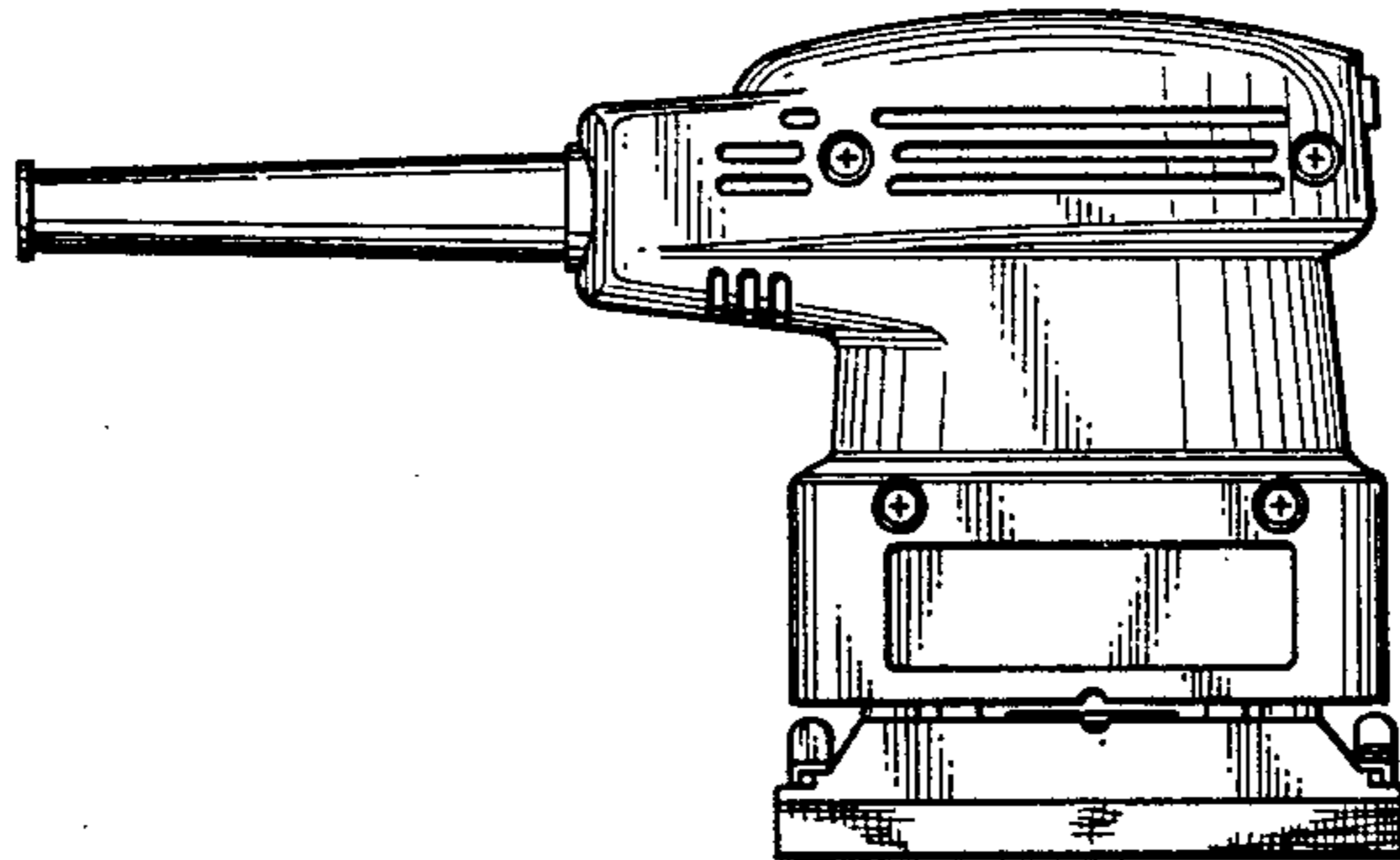


Fig. 4

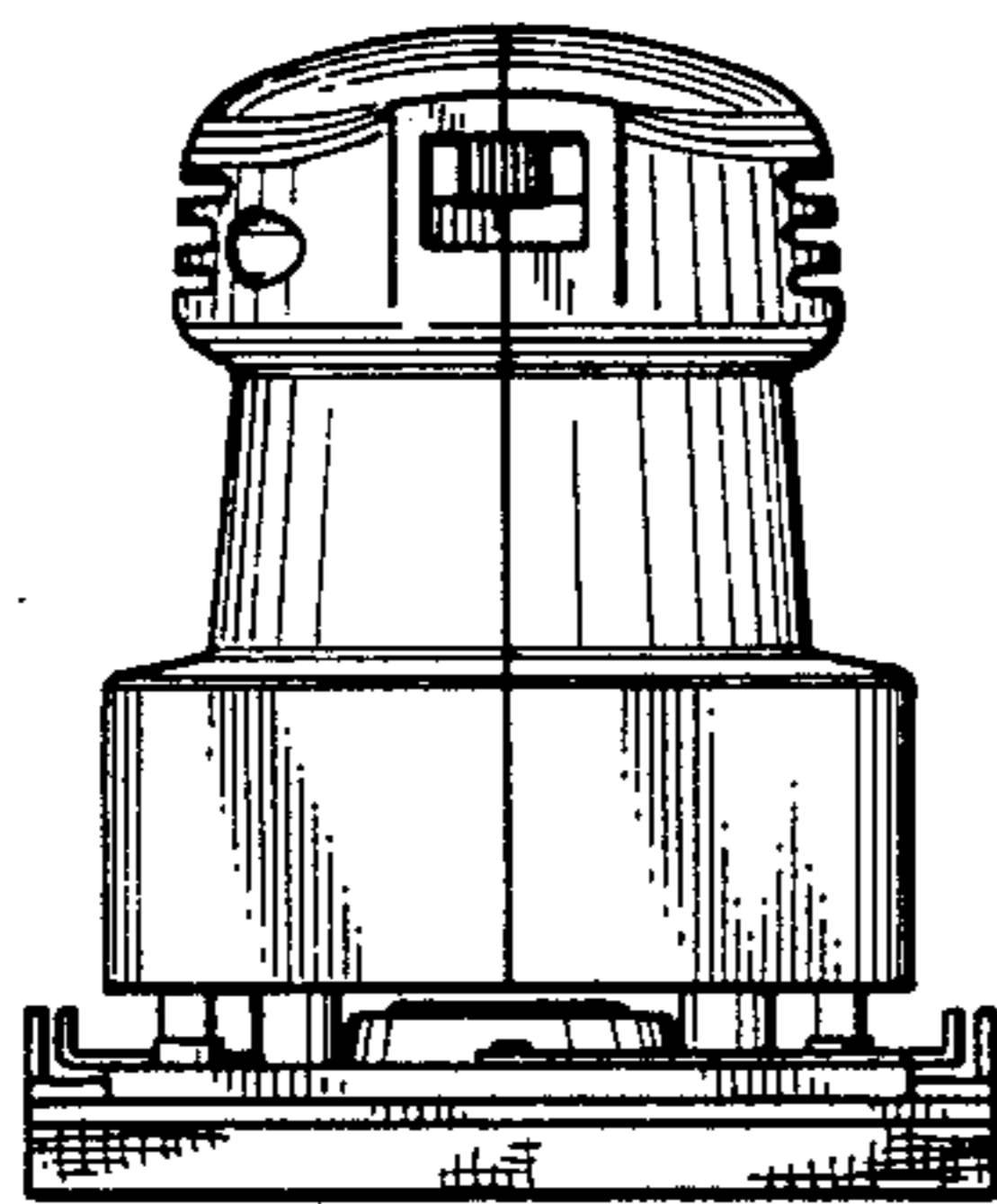


Fig. 5

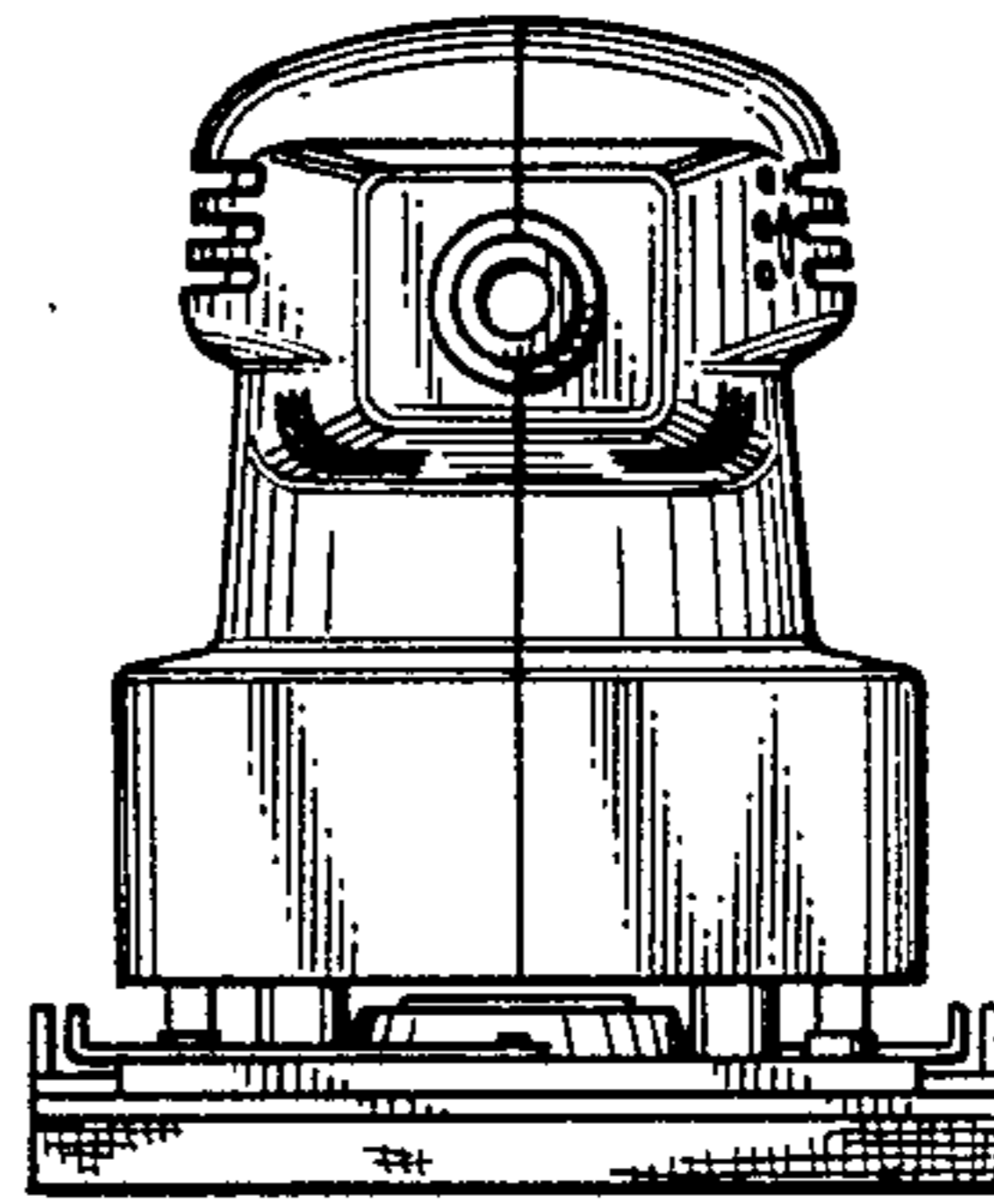


Fig. 6

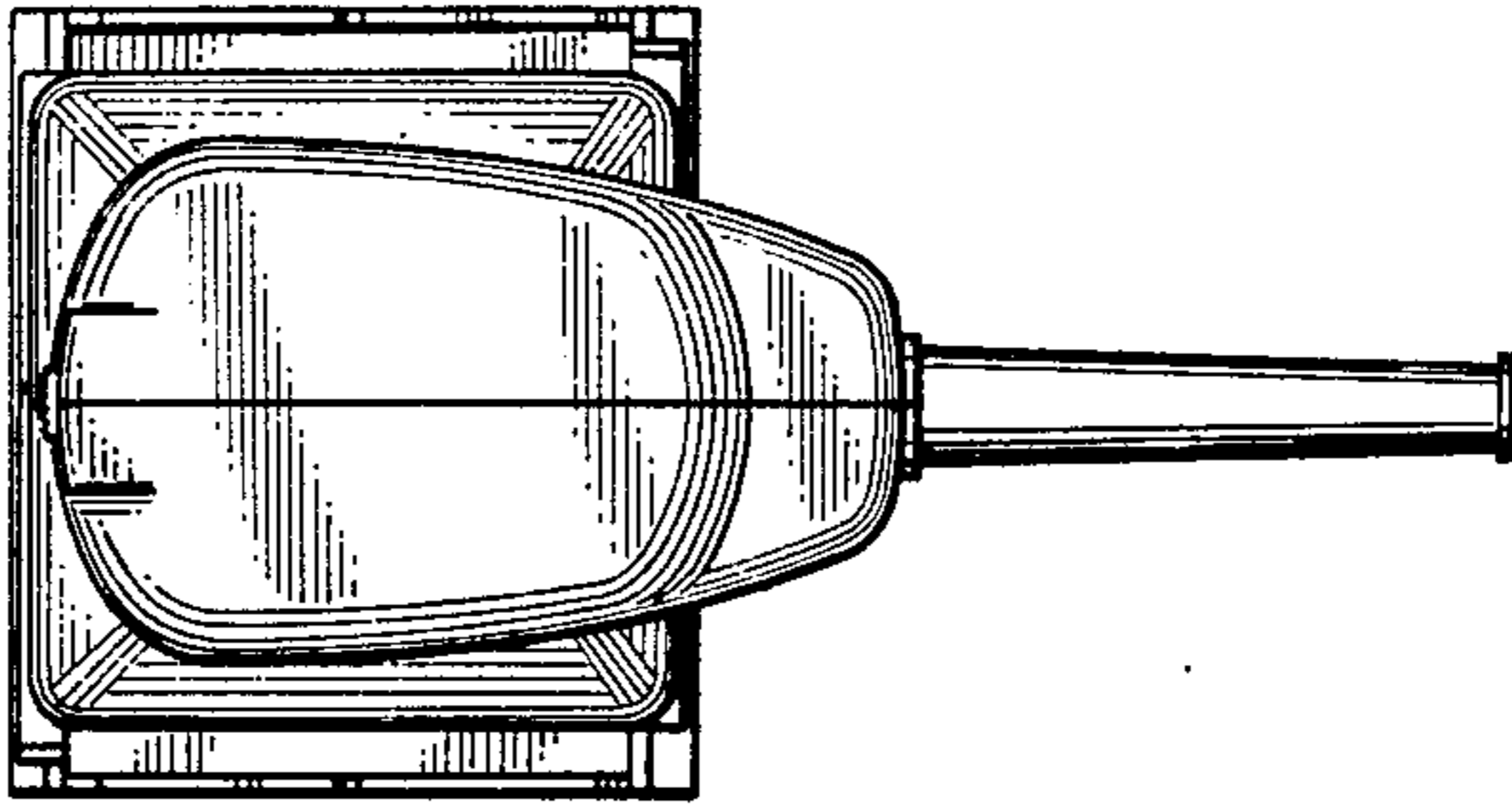


Fig. 7

