

[54] COFFEE MACHINE CASING

[75] Inventors: Bruno Rossio, Milan; Giuseppe Bossi, Legnano; Francesco Roggero, Milan, all of Italy

[73] Assignee: Rancilio Macchine Per Caffé S.p.A., Milan, Italy

[**] Term: 14 Years

[21] Appl. No.: 24,786

[22] Filed: Mar. 11, 1987

[30] Foreign Application Priority Data

Sep. 26, 1986 [IT] Italy 23218-B/86[U]

[52] U.S. Cl. D7/308; D7/309

[58] Field of Search D7/308, 309, 310, 305, D7/312, 300; 99/304, 293, 294, 307, 323.3; 222/129.1, 129.2, 129.3, 129.4

[56] References Cited

U.S. PATENT DOCUMENTS

- D. 176,912 2/1956 Gaggia et al. D7/308
- D. 196,629 10/1963 Decarli D7/309
- 2,682,976 7/1954 Melikian et al. 222/129.3 X
- 4,644,856 2/1987 Borgmann 99/294 X

FOREIGN PATENT DOCUMENTS

401399 5/1966 Switzerland 222/129.1

OTHER PUBLICATIONS

Vending Times, Dec. 1983, p. 43, Espresso Machine "Mondiale" in top panel-2nd down, from J. H. McKie Manufacturer.

Primary Examiner—Winifred E. Herrmann
Attorney, Agent, or Firm—Wenderoth, Lind & Ponack

[57] CLAIM

The ornamental design for a coffee machine casing, as shown and described.

DESCRIPTION

FIG. 1 is a front elevational view of a coffee machine casing showing our new design;
 FIG. 2 is a top plan view thereof;
 FIG. 3 is a bottom plan view thereof;
 FIG. 4 is a rear elevational view thereof;
 FIG. 5 is a right side elevational view thereof;
 FIG. 6 is a left side elevational view thereof;
 FIG. 7 is a top, front, and left side perspective view thereof; and
 FIG. 8 is a top, rear, and right side perspective view thereof.

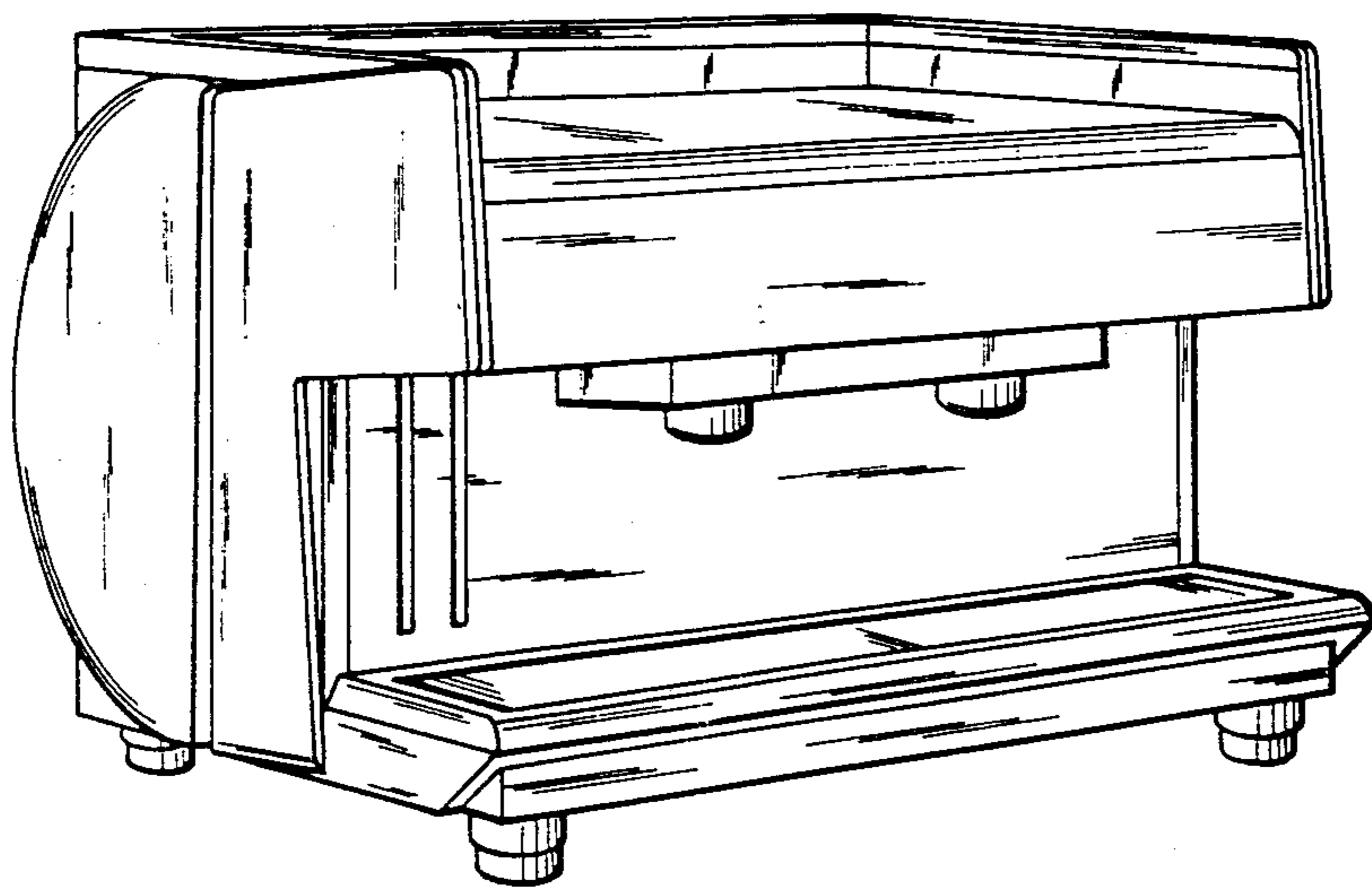


Fig. 1

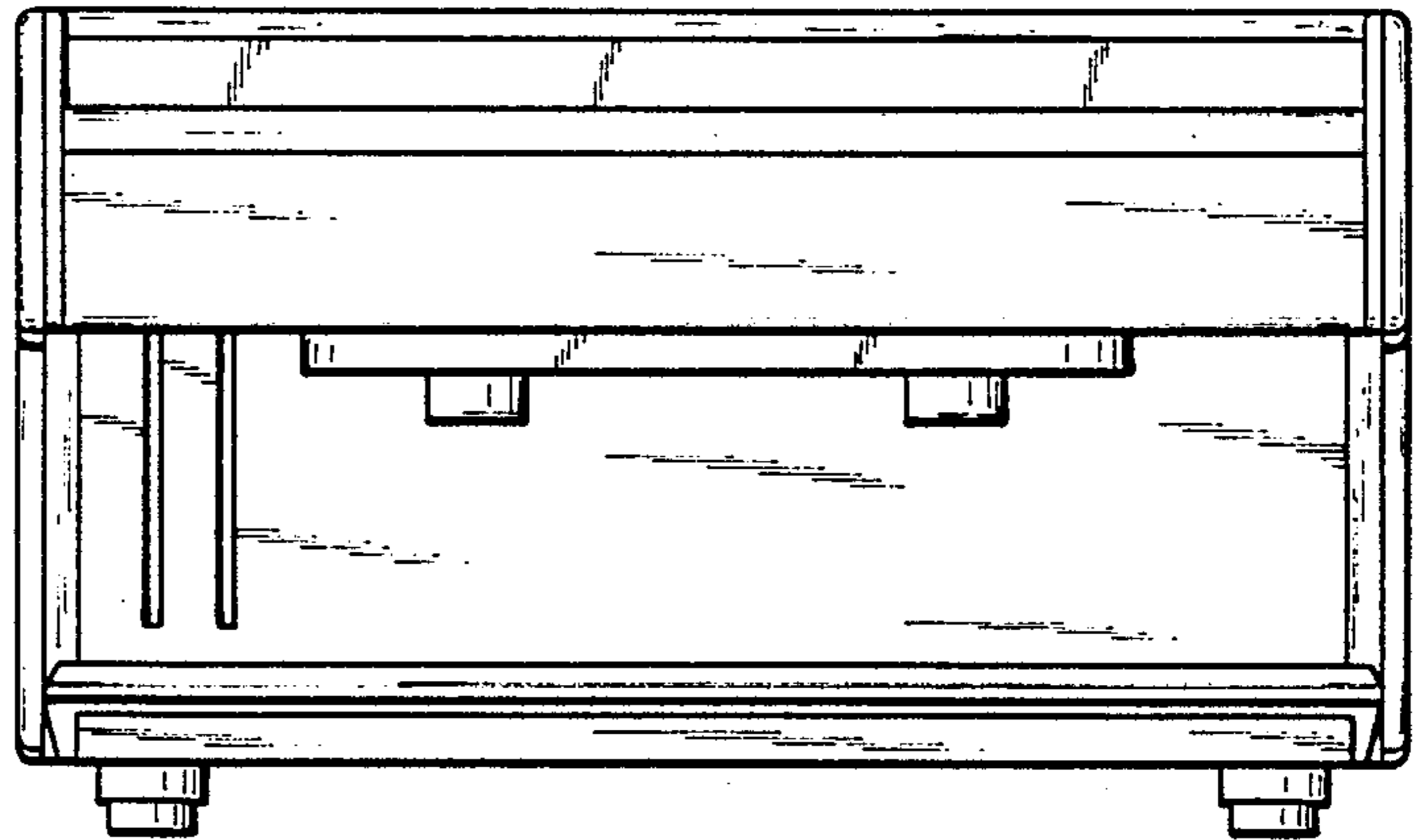


Fig. 2

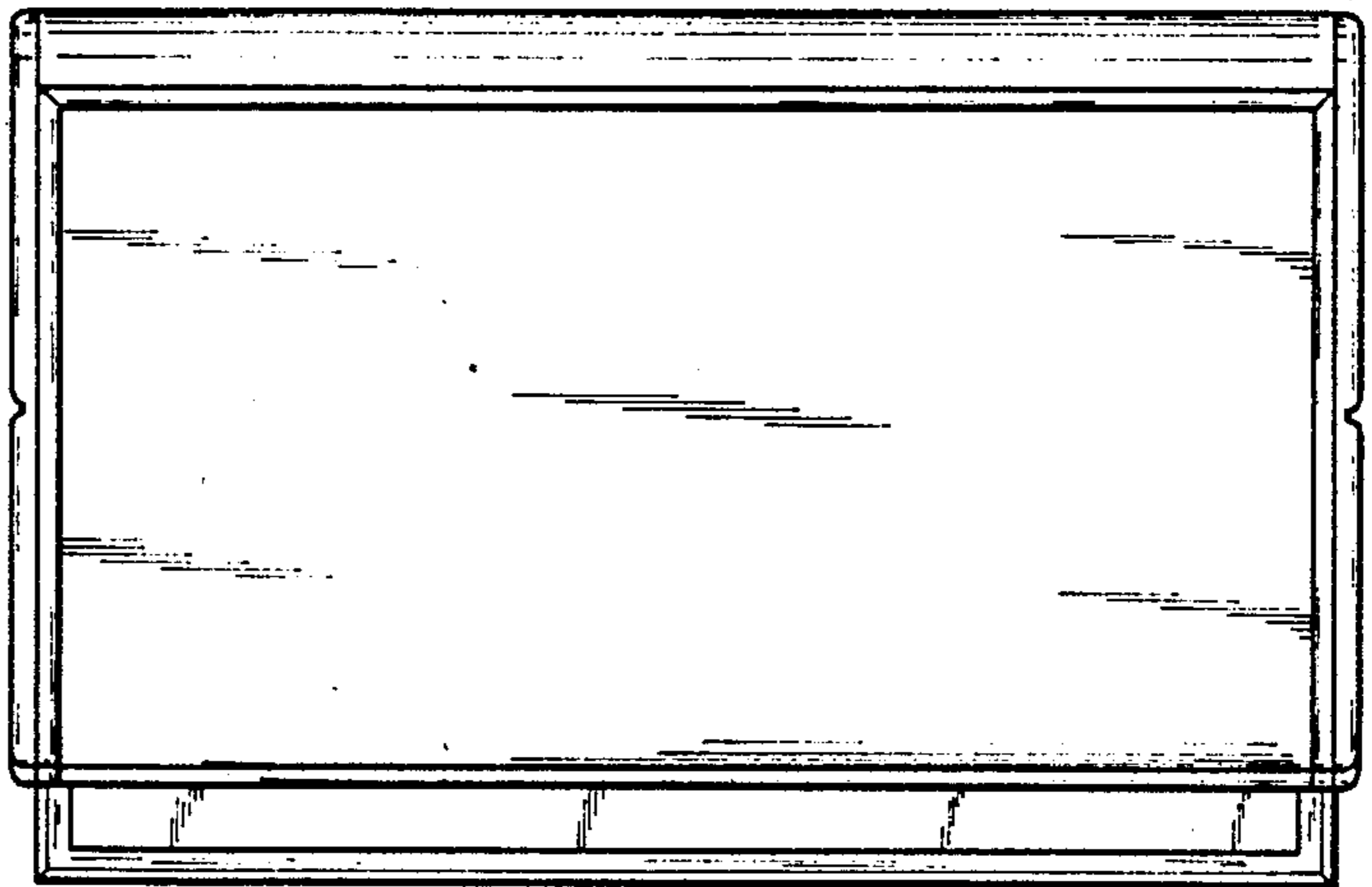


Fig. 3

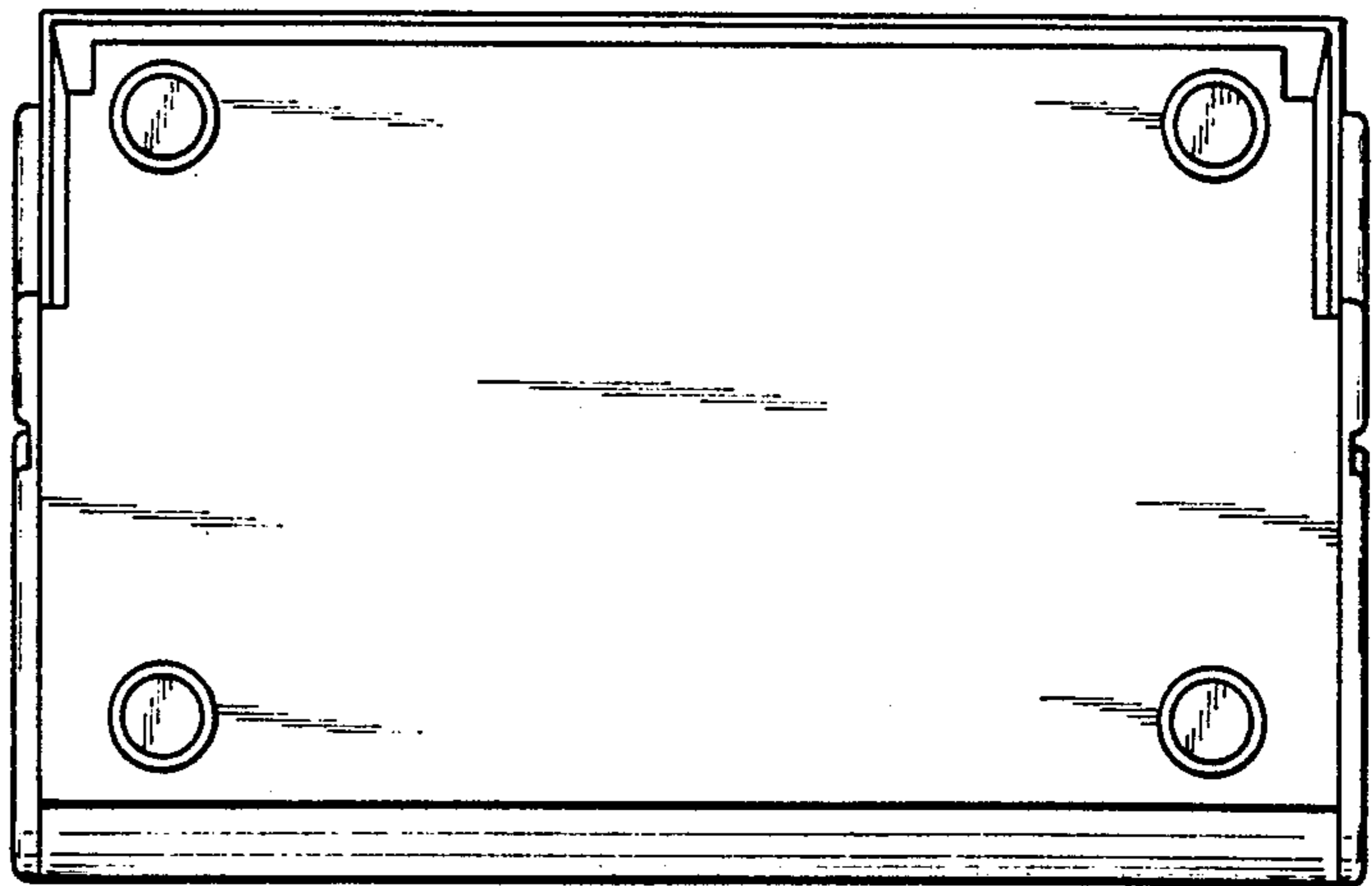


Fig. 4

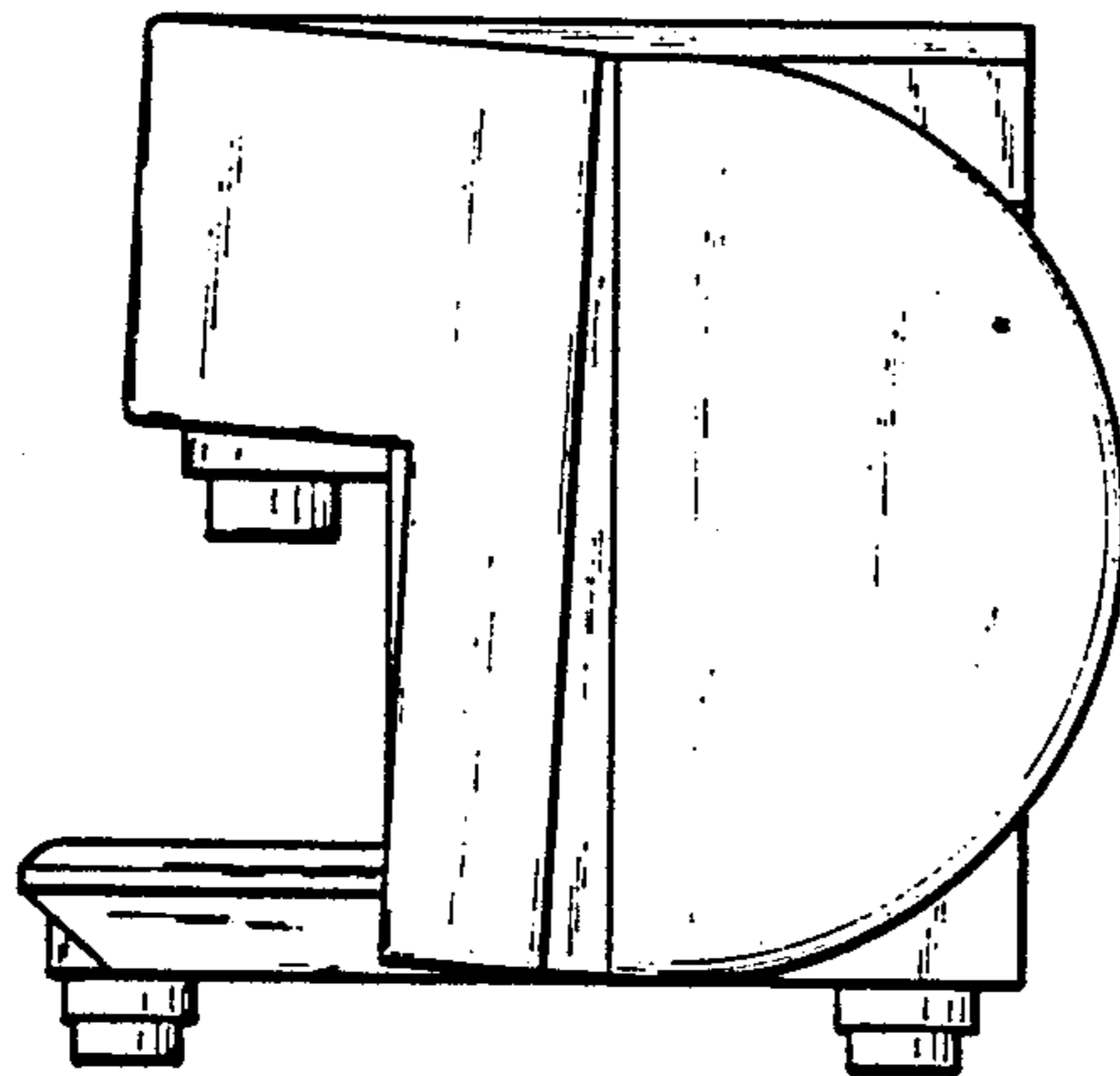
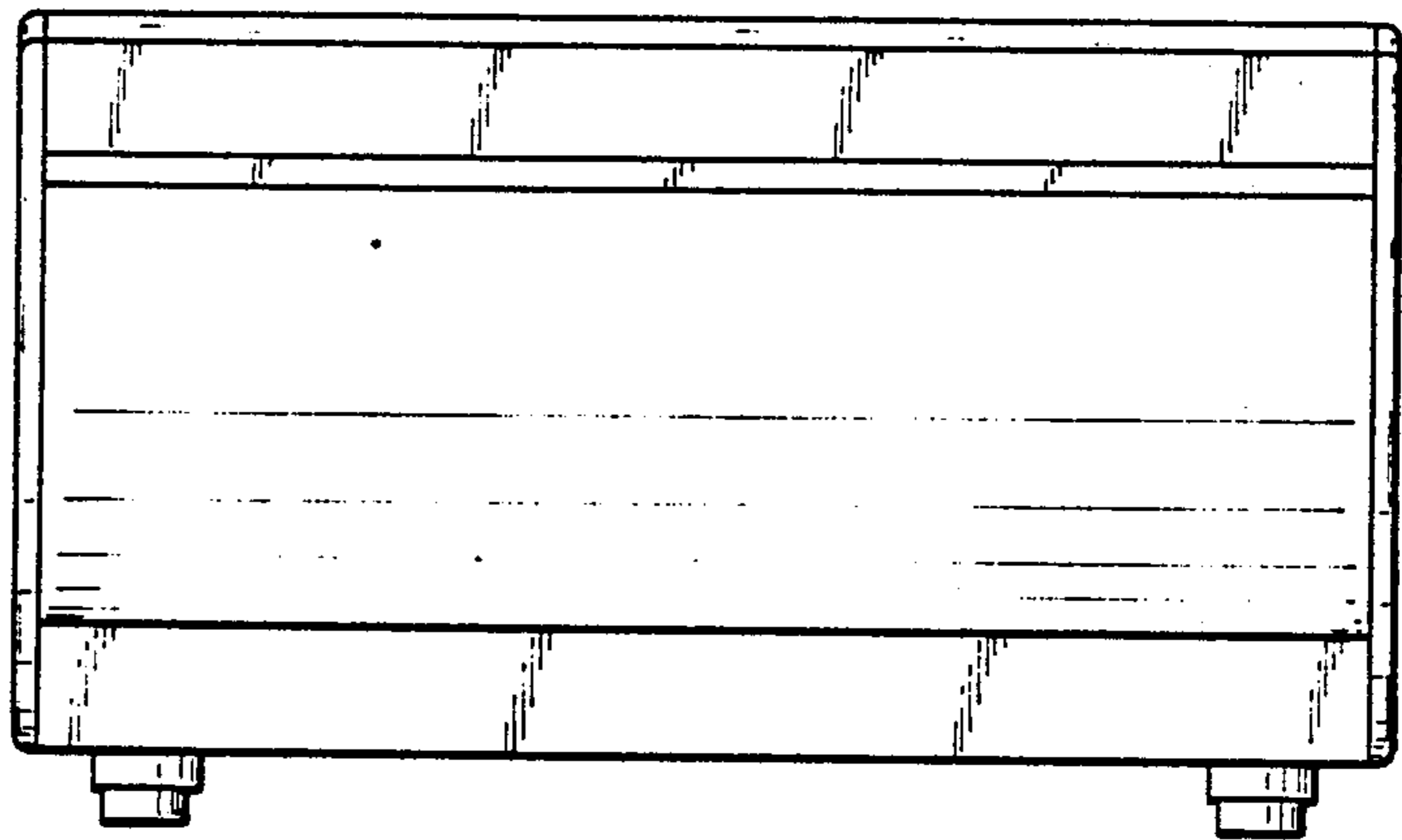


Fig. 5

Fig. 6

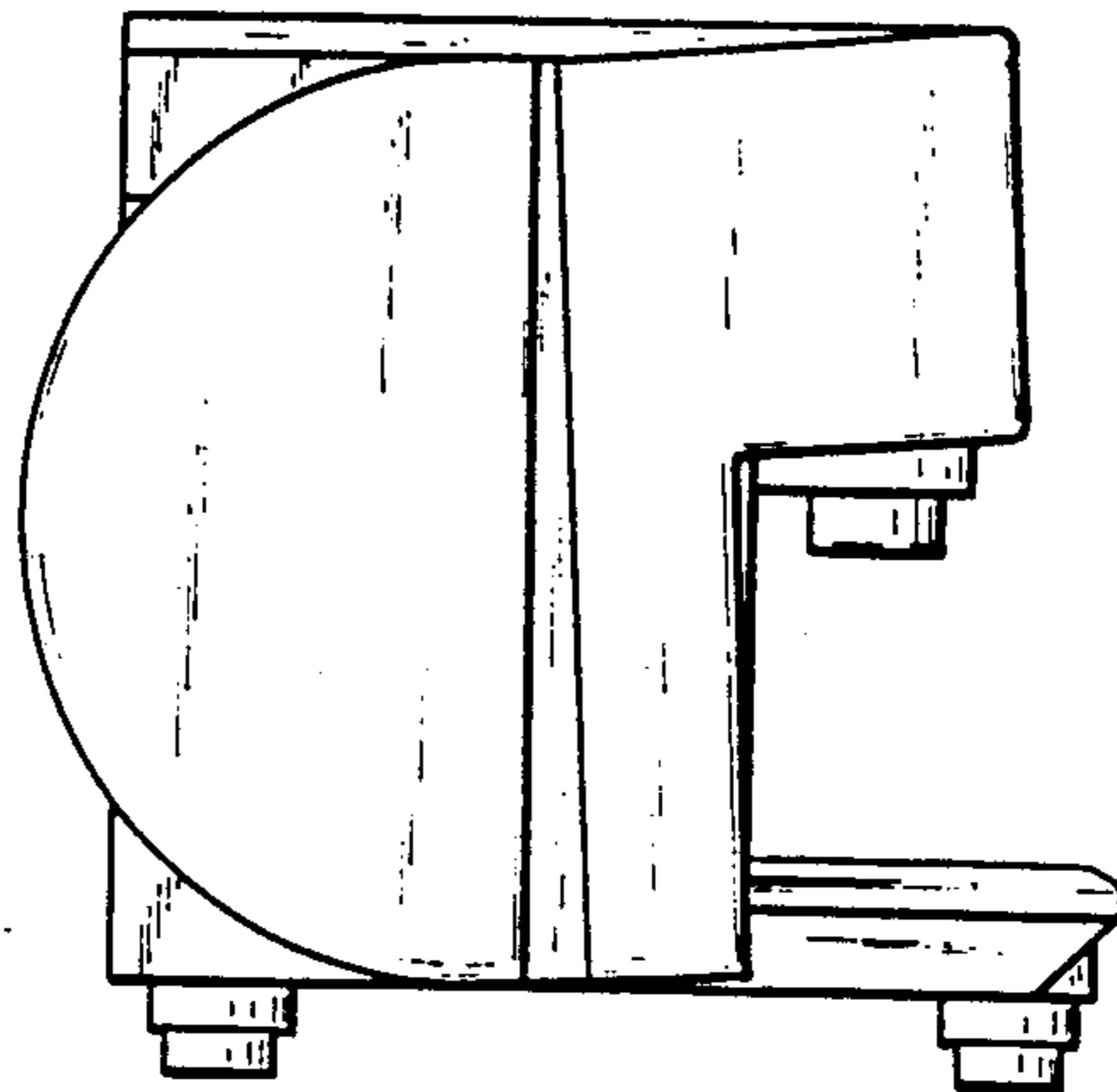


Fig. 7

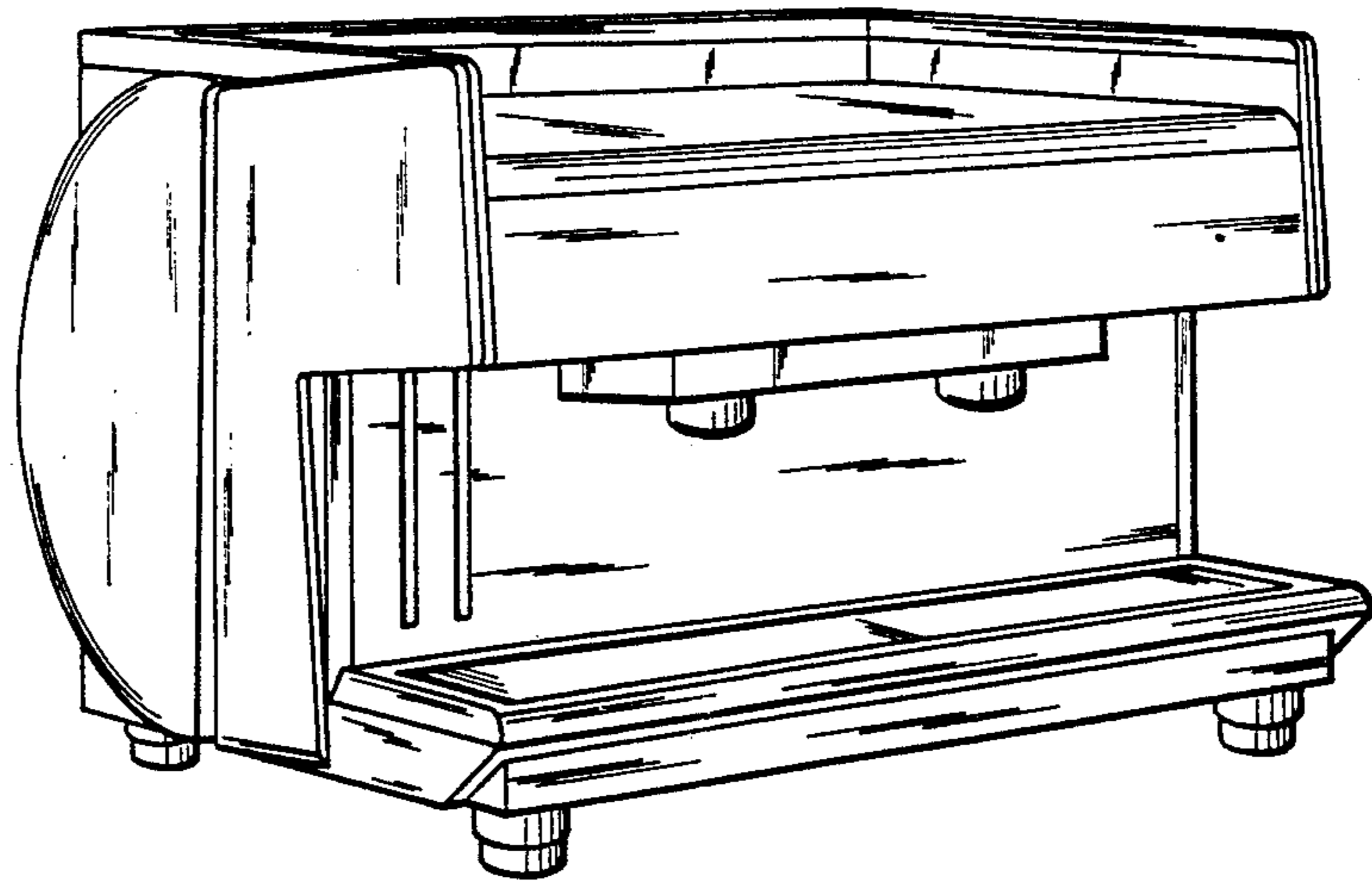


Fig. 8

