

[54] **FOLDABLE FISHING LURE HOLDER**  
[76] **Inventor: Carl J. Whittier, 11 Marion Street,  
Caledon East, Ontario, Canada, L0N  
1E0**  
[\*\*] **Term: 14 Years**  
[21] **Appl. No.: 56,973**  
[22] **Filed: Jun. 2, 1987**

[30] **Foreign Application Priority Data**  
Dec. 2, 1986 [CA] Canada ..... 02-12-86-1  
[52] **U.S. Cl. .... D3/38; 206/315.11;  
D22/136**  
[58] **Field of Search ..... D3/36, 38; D22/134,  
D22/135, 136, 147; 224/120, 202, 205;  
206/315.11, 373, 811, 579**

[56] **References Cited**  
**U.S. PATENT DOCUMENTS**  
D. 268,224 3/1983 Huntebrinker et al. .... D3/38  
636,381 11/1899 Hamel ..... D22/136 X

2,854,775 10/1958 Kleckly ..... 206/315.11 X  
4,685,570 8/1987 Medow ..... 206/579

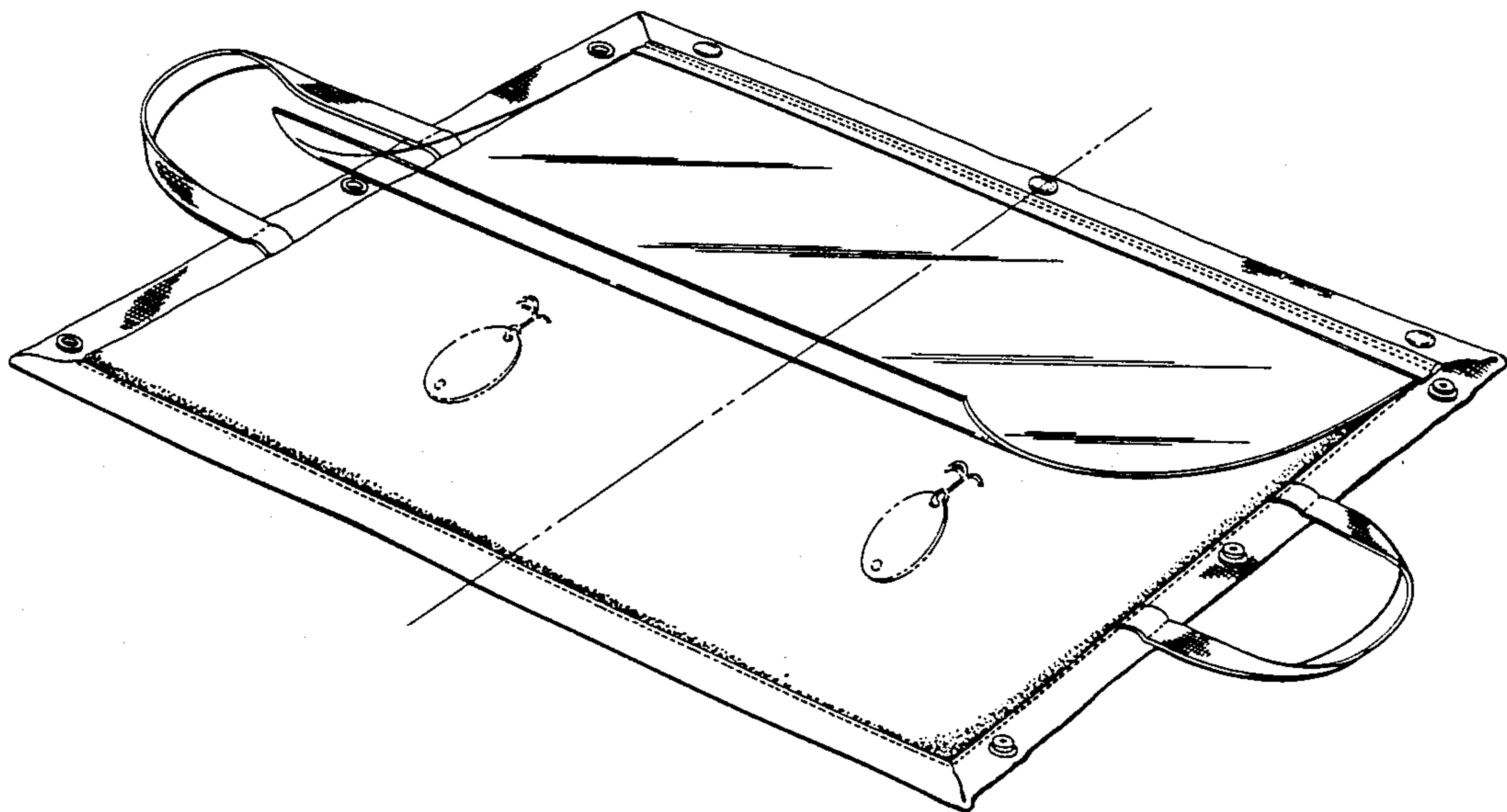
*Primary Examiner*—James R. Largen  
*Assistant Examiner*—Y. Brunot  
*Attorney, Agent, or Firm*—Riches, McKenzie & Herbert

[57] **CLAIM**

The ornamental design of a foldable fishing lure holder,  
as shown and described.

**DESCRIPTION**

FIG. 1 is a perspective view of a foldable fishing lure holder showing my new design;  
FIG. 2 is an end elevational view, the opposite end being a mirror image thereof;  
FIG. 3 is a bottom plan view;  
FIG. 4 is a top plan view thereof;  
FIG. 5 is a perspective view of a foldable fishing lure holder in a closed, folded position.  
The broken line representation of fishing lures in FIGS. 1, 2 and 4 are for purposes of illustration only and form no part of the claimed design.



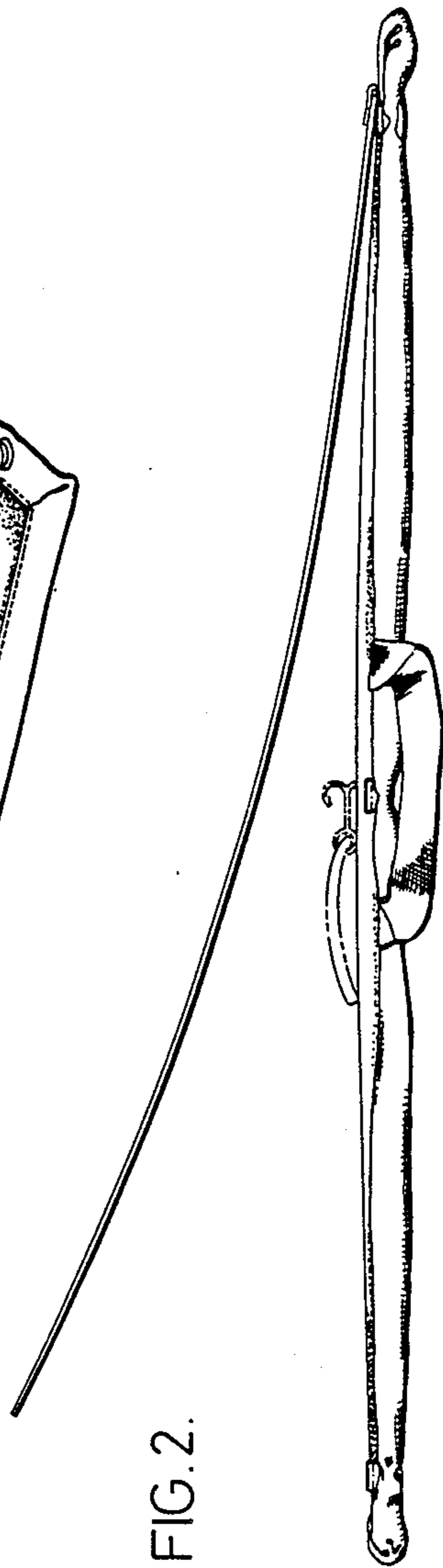
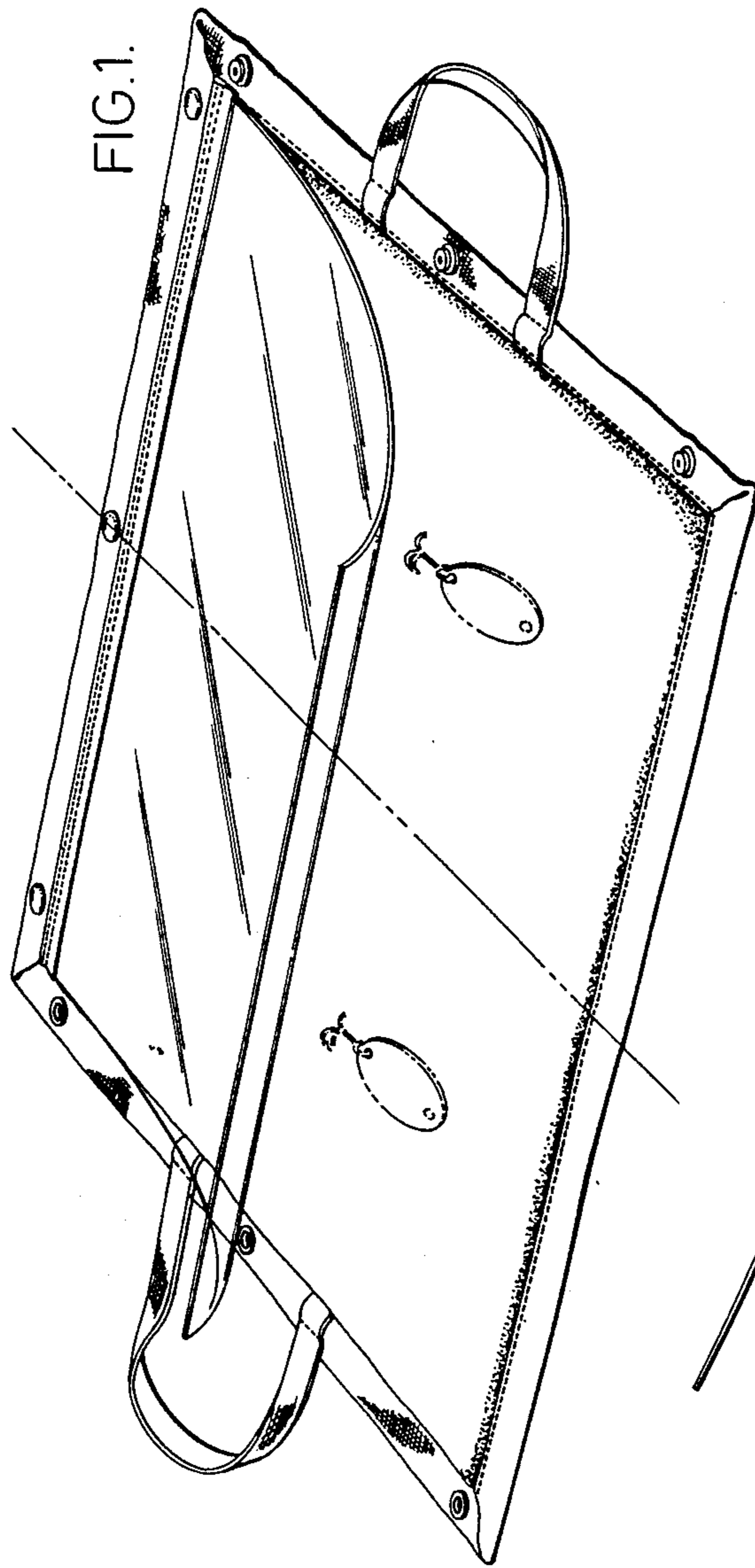


FIG. 3.

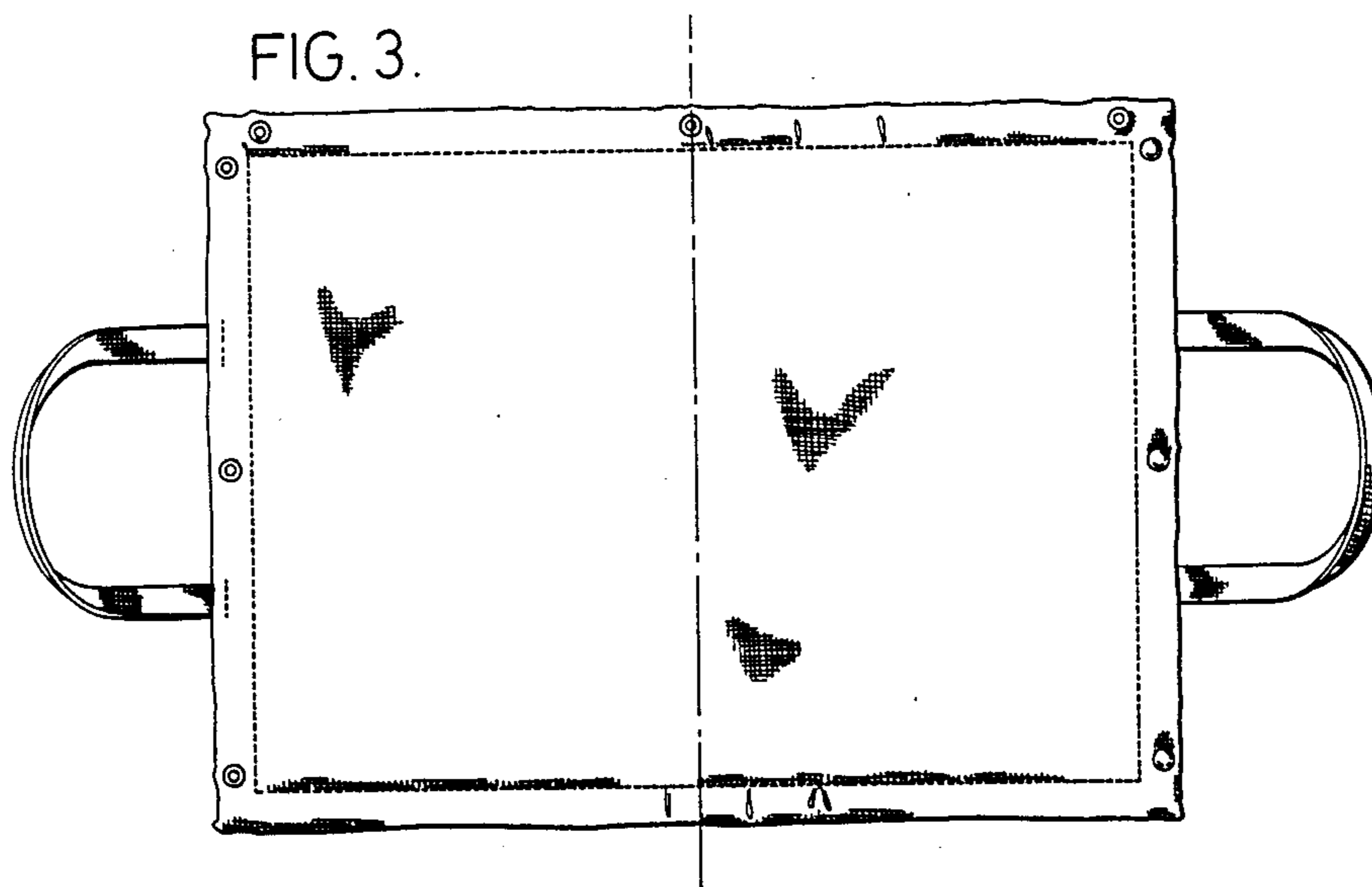
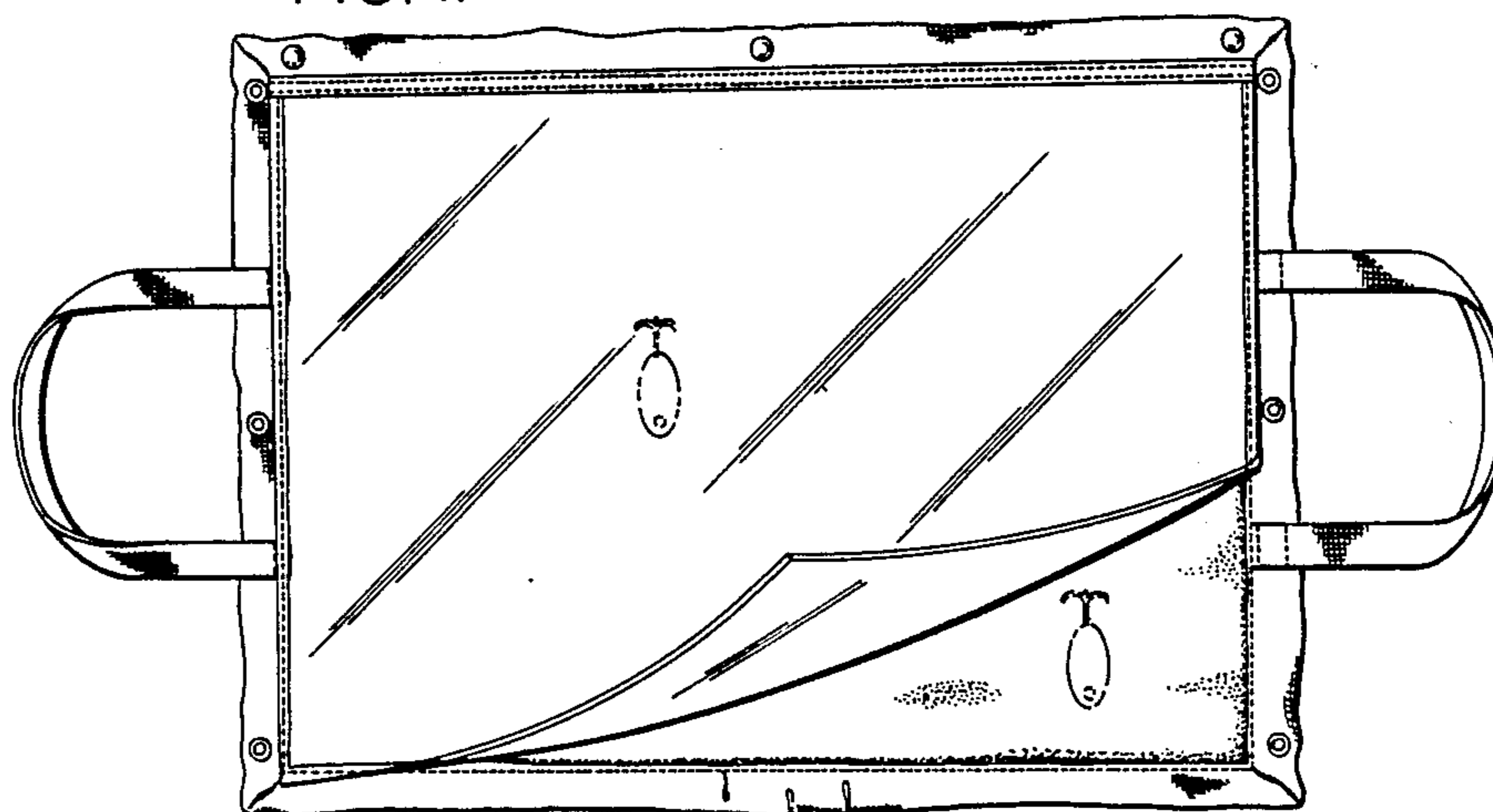


FIG. 4.



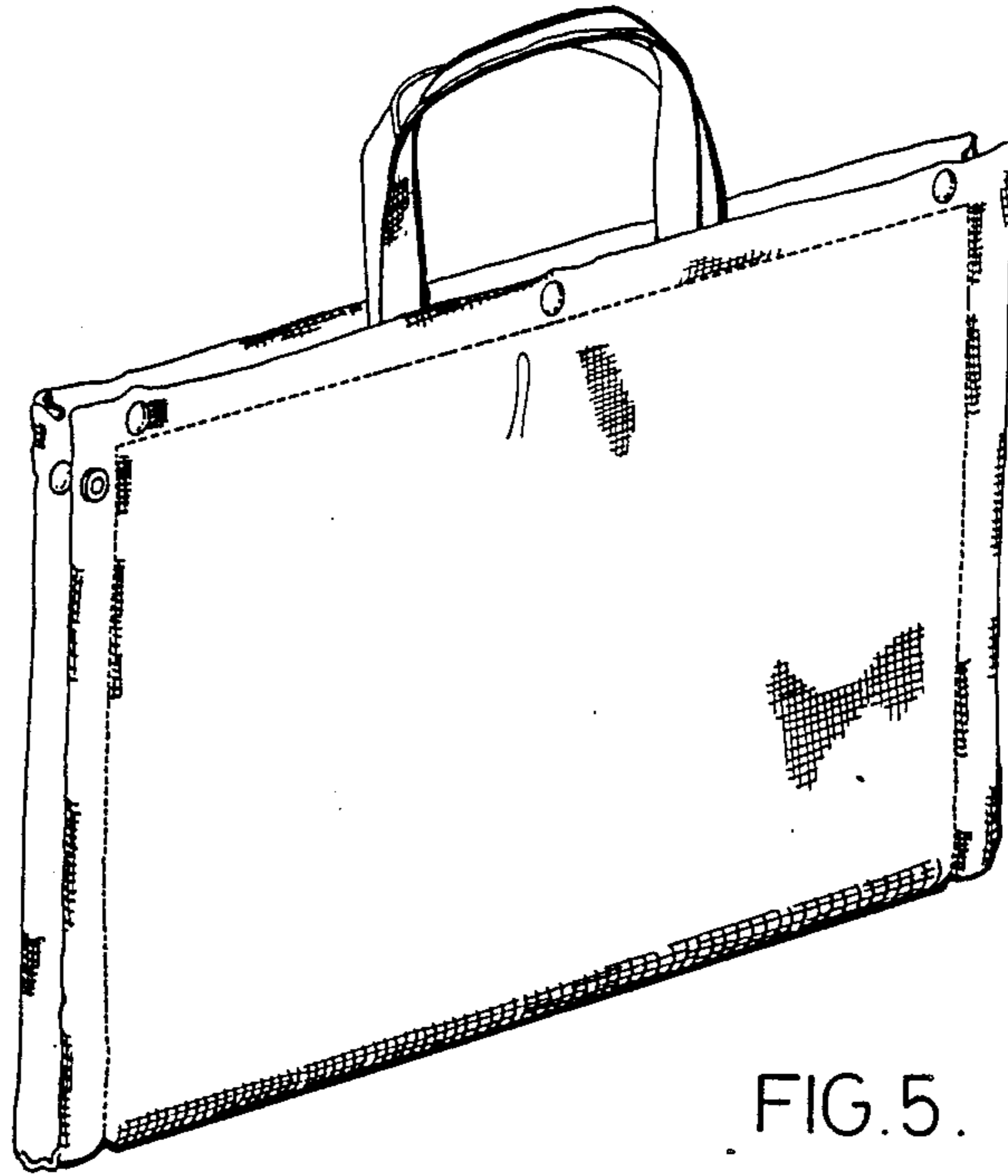


FIG. 5.