

[54] COMBINED ENGINE OIL FILTER AND REMOVAL WRENCH THEREFOR

[76] Inventor: Issa Y. Tannous, 307 20th St., Oakland, Calif. 94612

[\*\*] Term: 14 Years

[21] Appl. No.: 148,224

[22] Filed: Jan. 25, 1988

[52] U.S. Cl. .... D23/209

[58] Field of Search ..... D23/207-210; D8/27, 29; 261/DIG. 4; 210/136, 238, 282, 444, 446, 448, 440

[56] References Cited

U.S. PATENT DOCUMENTS

1,641,485	9/1927	Heftler	.....	210/444
3,224,585	12/1965	Scavuzzo et al.	.....	210/232
3,265,213	8/1966	Decker et al.	.....	210/457 X
4,452,695	6/1984	Schmidt	.....	210/444 X

Primary Examiner—Susan J. Lucas

Assistant Examiner—M. H. Tung  
Attorney, Agent, or Firm—Linval B. Castle

[57] CLAIM

The ornamental design for a combined engine oil filter and removable wrench therefor, as shown and described.

DESCRIPTION

FIG. 1 is a perspective view of a combined engine oil filter and removable wrench therefor showing my new design;

FIG. 2 is a side elevational view of the oil filter housing shown separately for clarity of illustration, the opposite side being a mirror image thereof;

FIG. 3 is a top plan thereof;

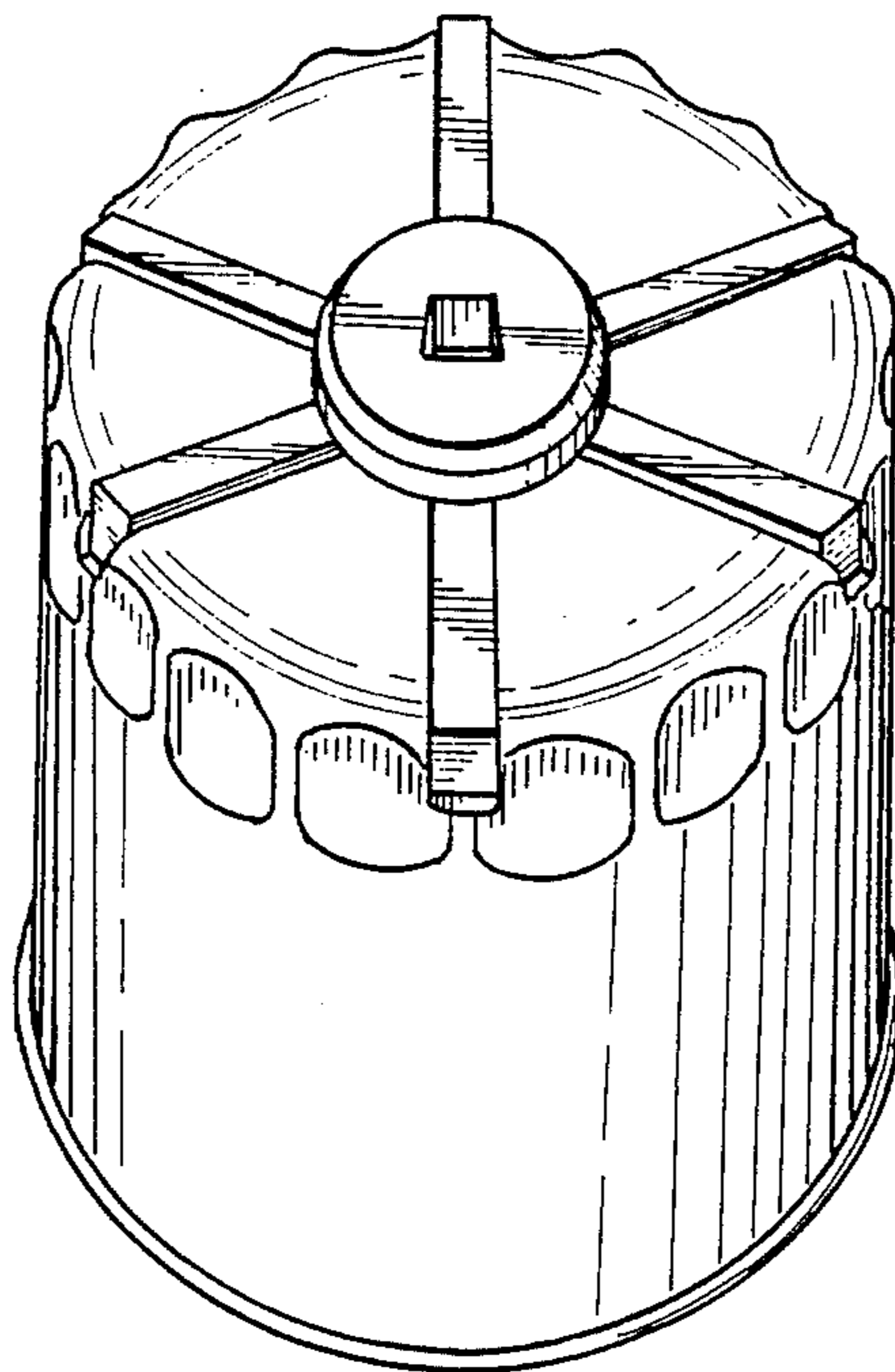
FIG. 4 is a bottom plan view thereof;

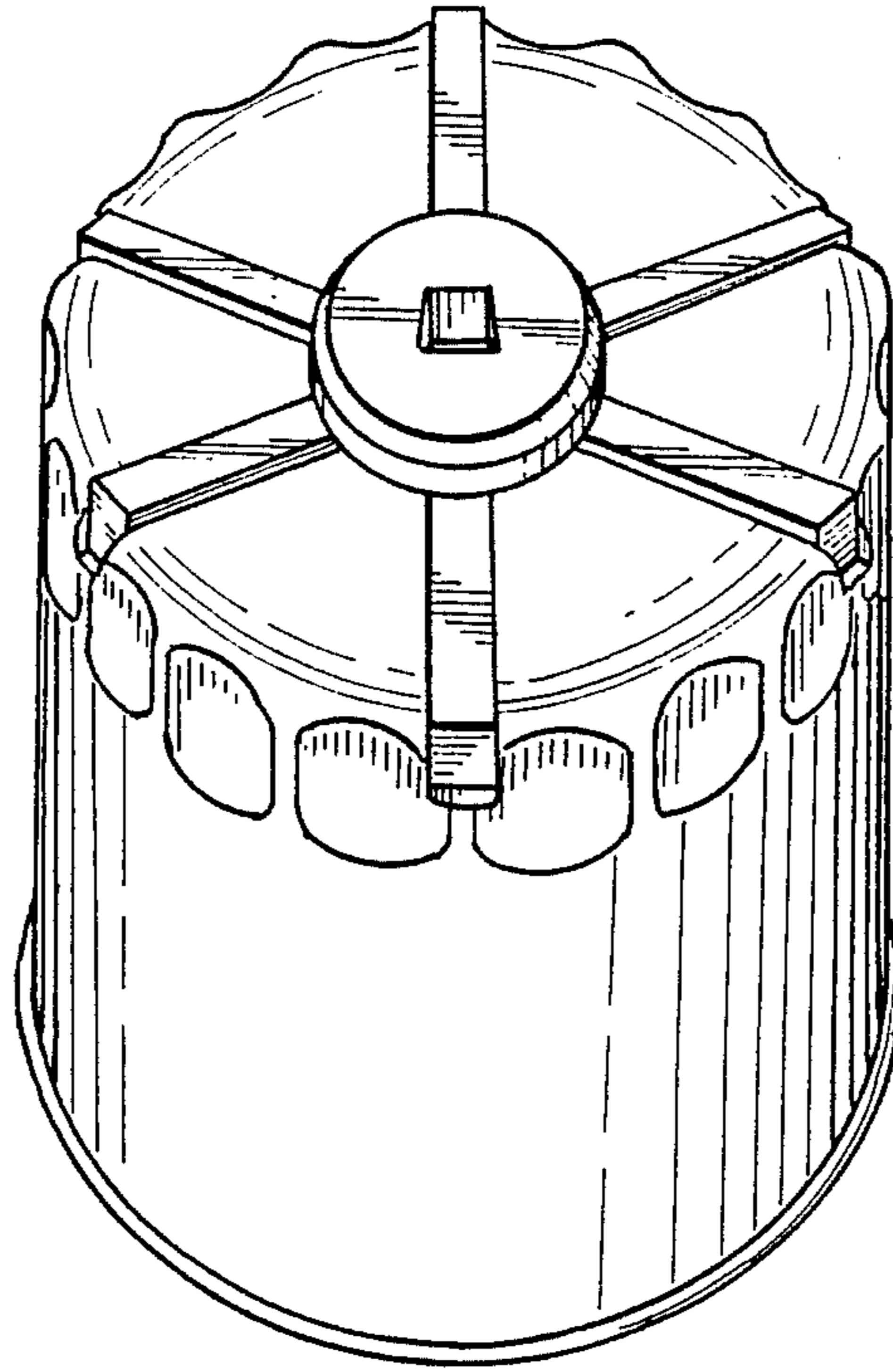
FIG. 5 is a perspective view thereof;

FIG. 6 is a top plan view showing the removable socket wrench and shown separately for clarity of illustration;

FIG. 7 is a bottom plan view thereof;

FIG. 8 is a side elevational view thereof, the opposite side being a mirror image.





*FIG. 1*

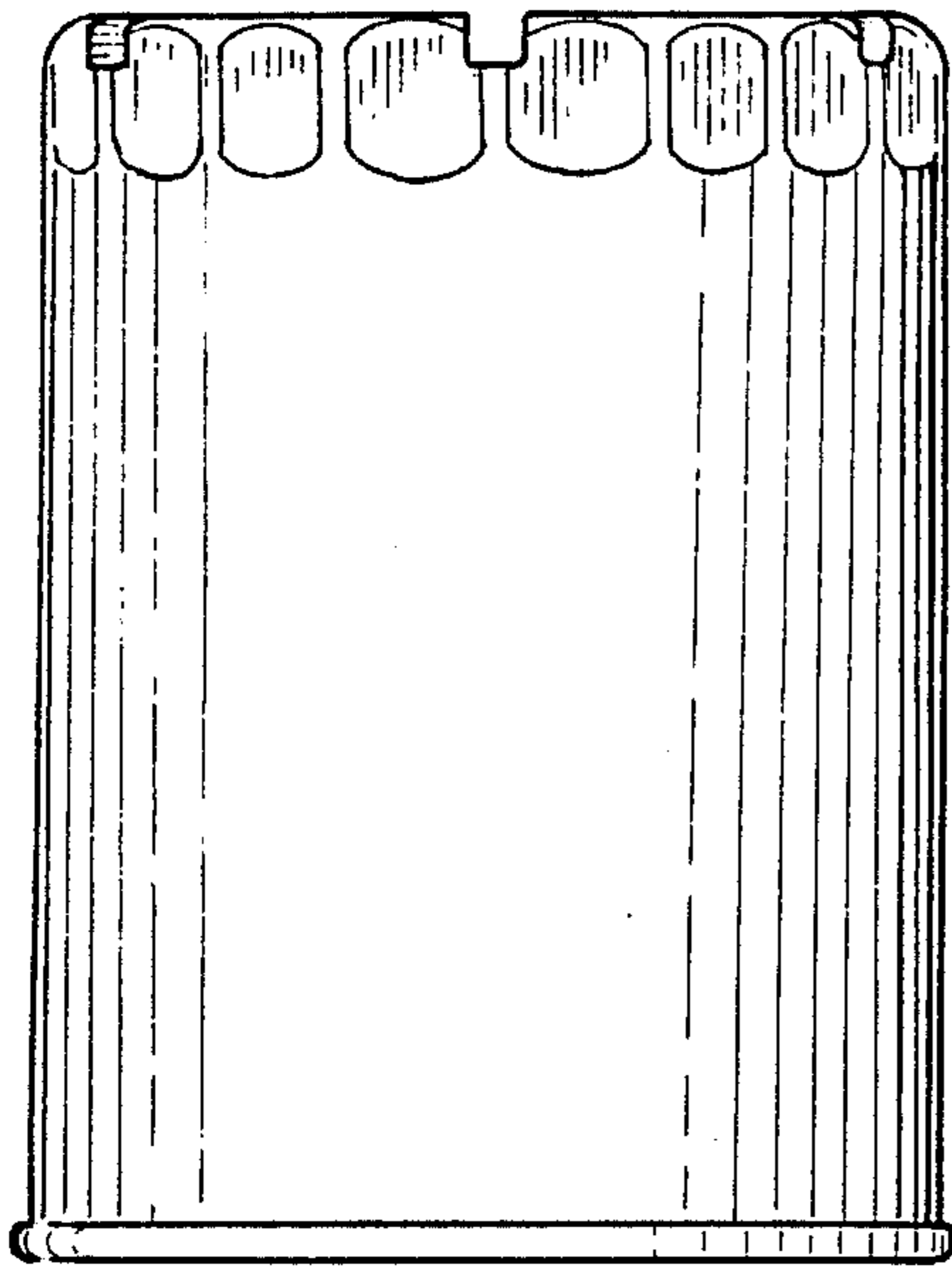


FIG. 2

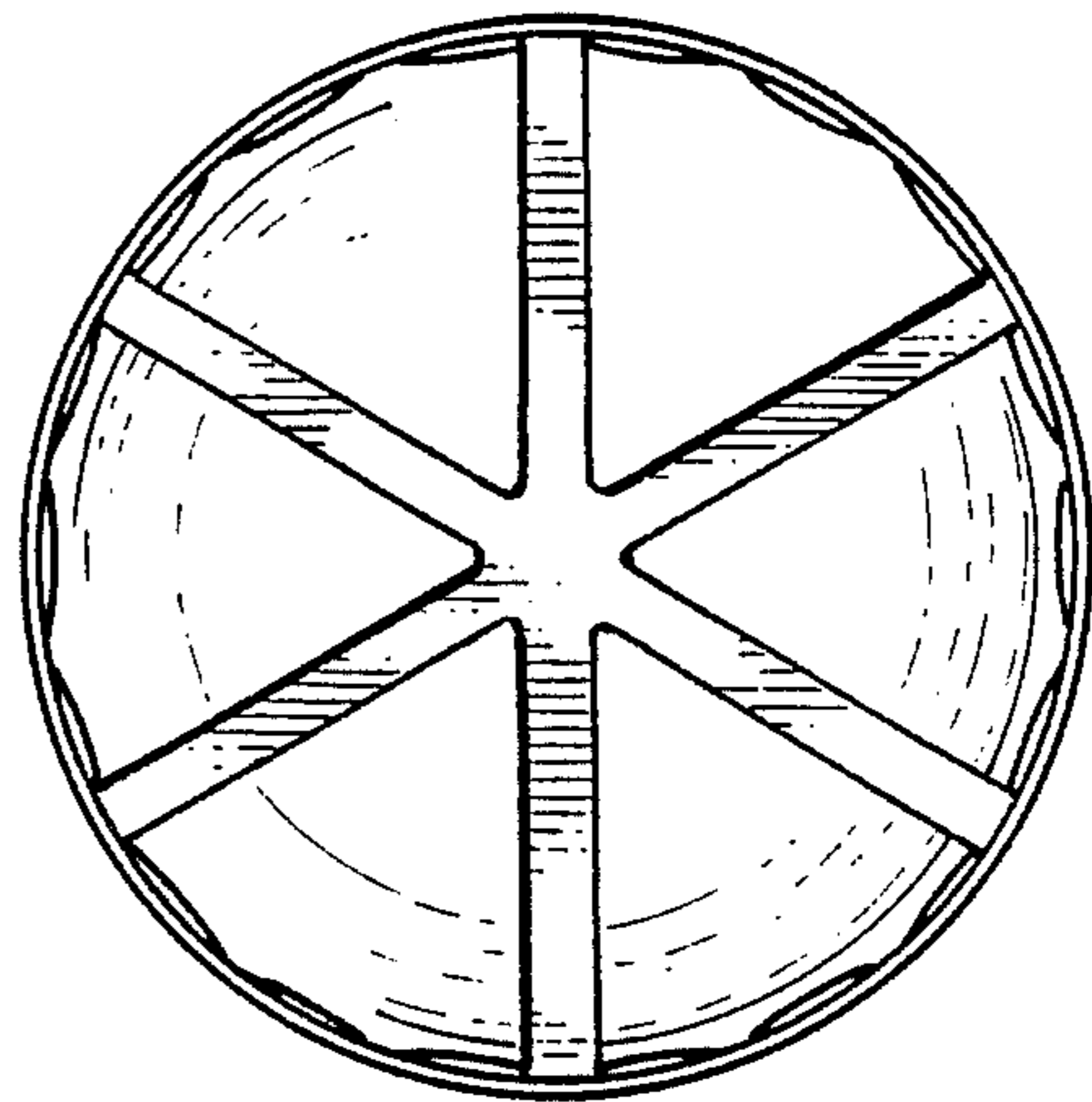


FIG. 3

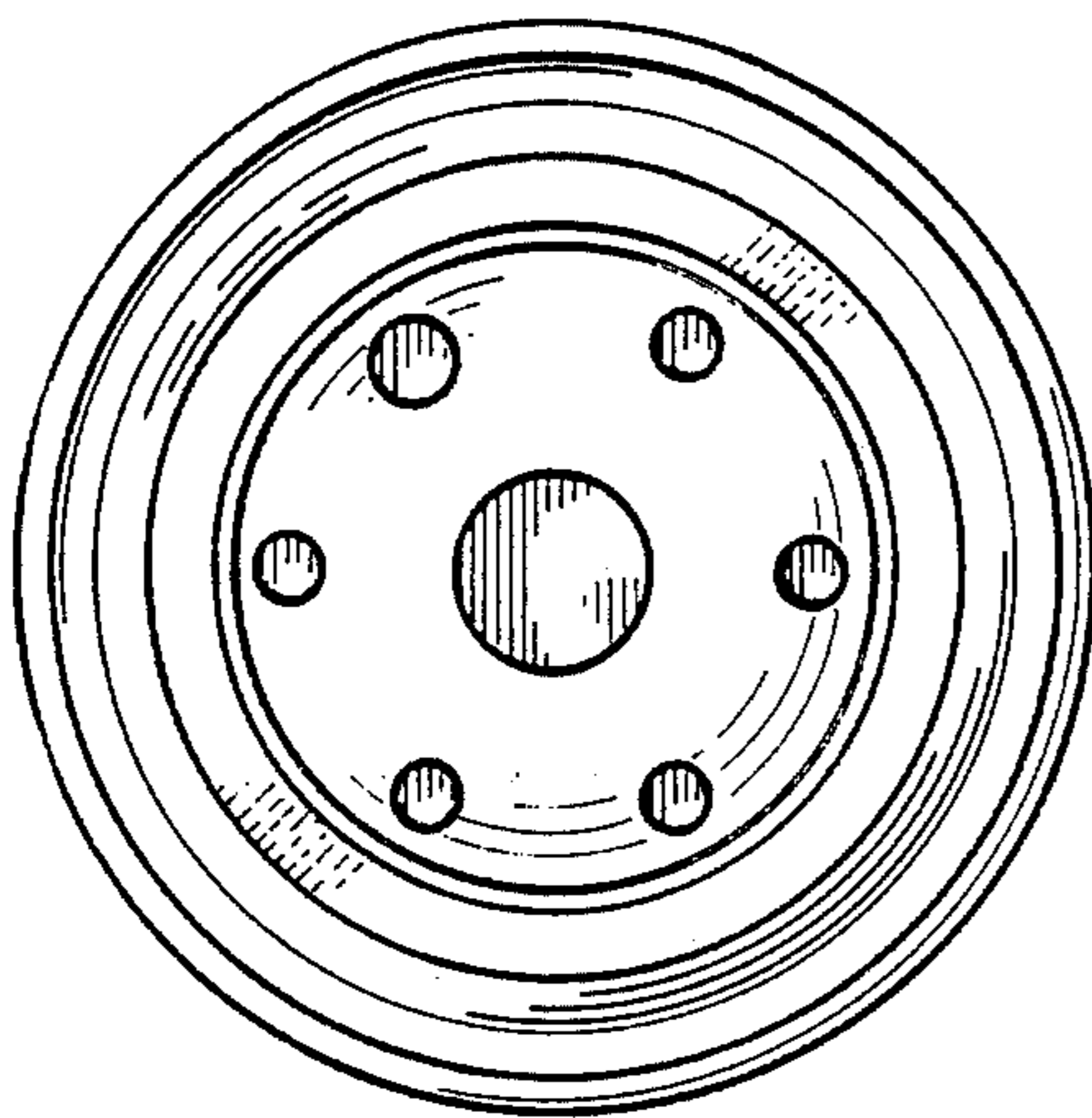
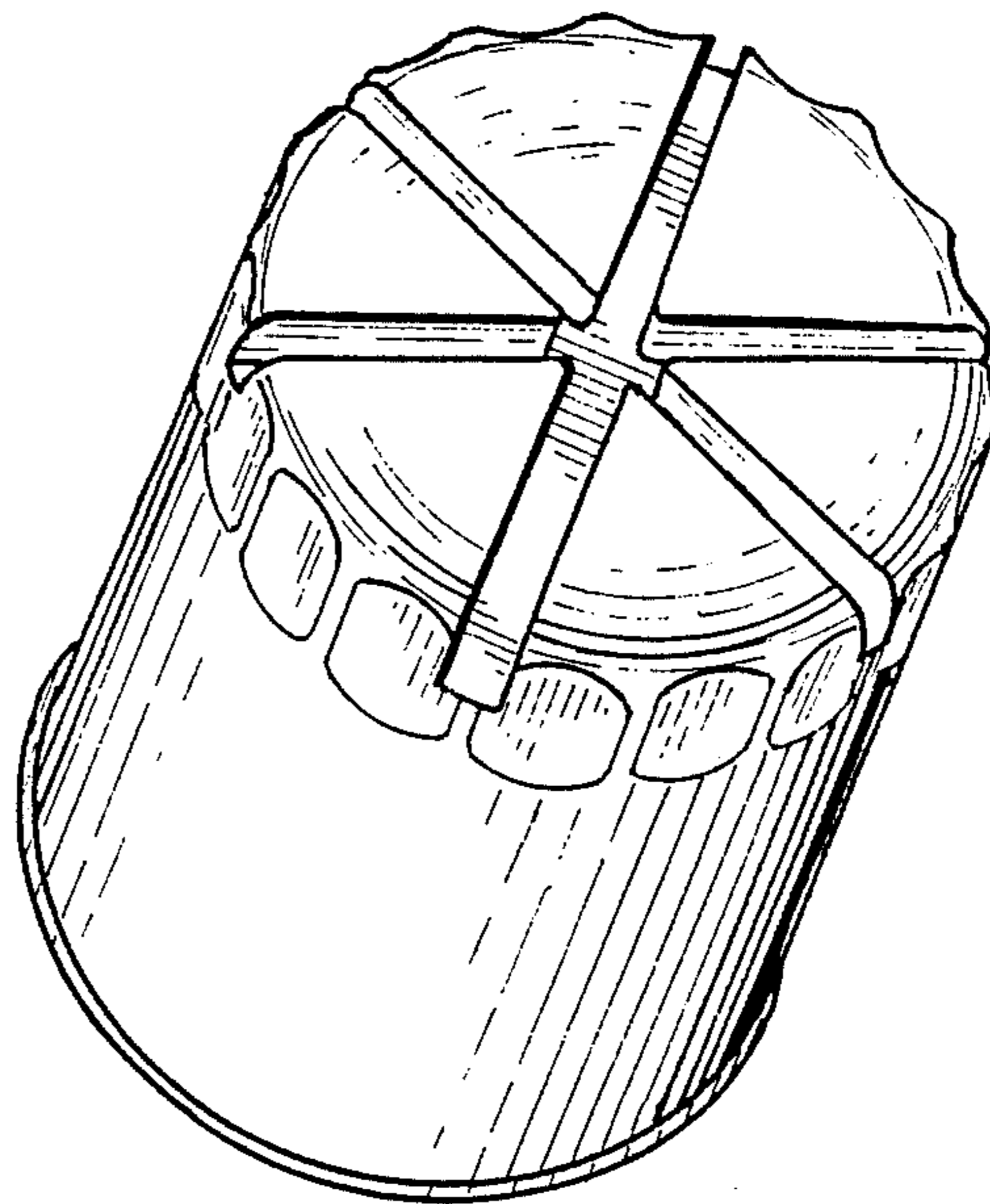


FIG. 4

FIG. 5



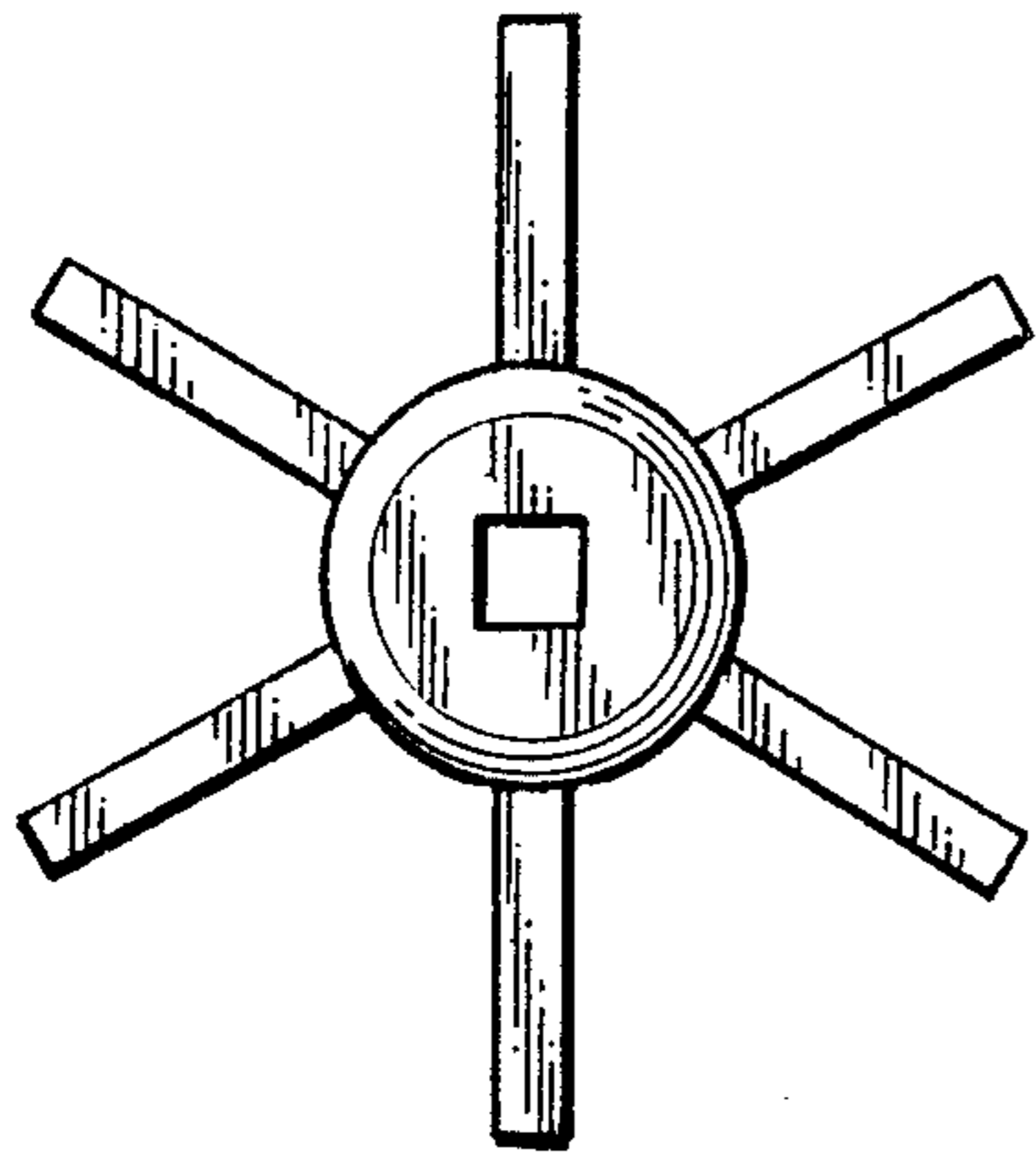


FIG. 6

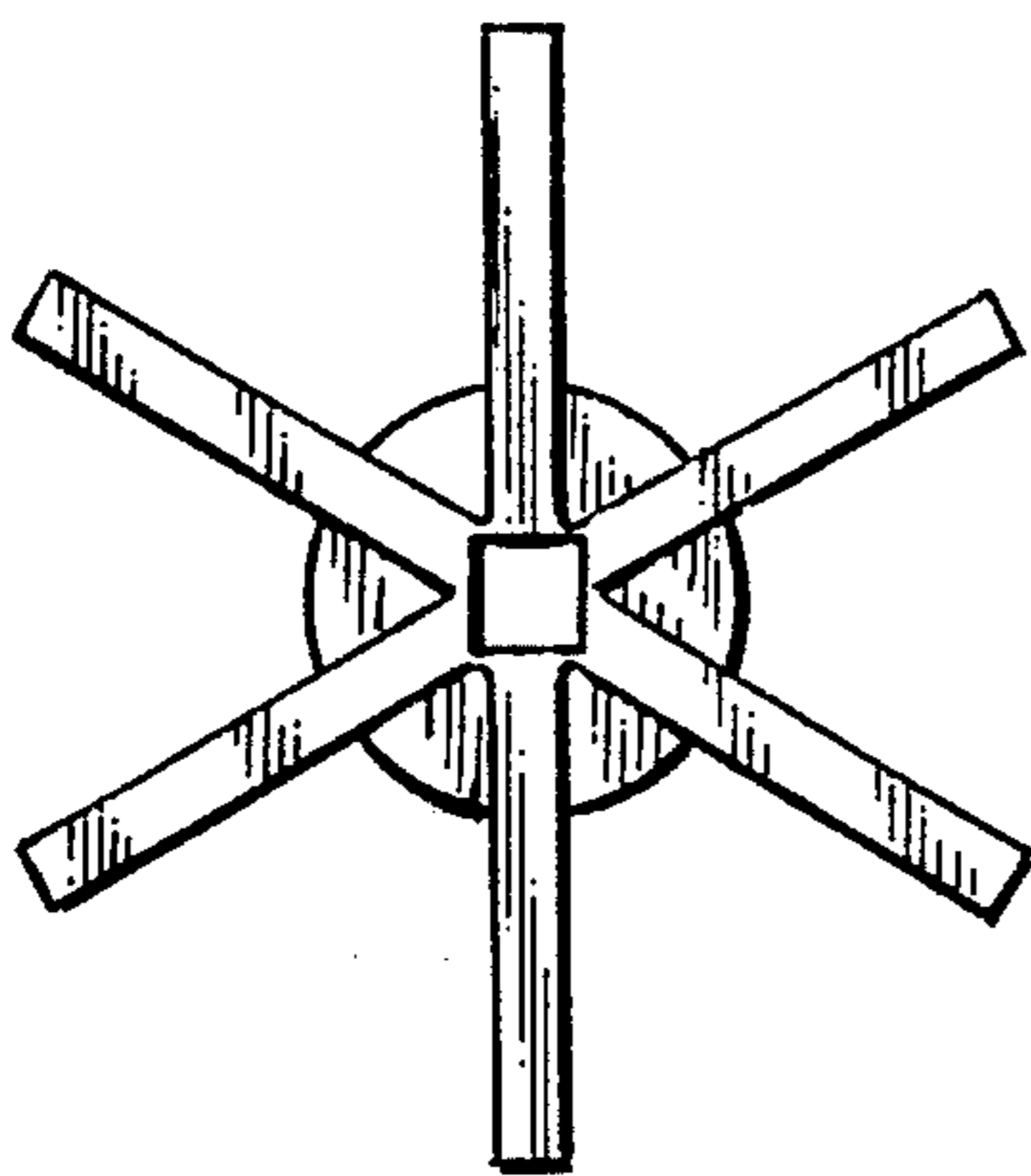


FIG. 7



FIG. 8