

[54] **ELONGATED PARTS BIN**

[75] **Inventors: Donald Embree, Copley; David L. Hamann, Cincinnati, both of Ohio**

[73] **Assignee: Rubbermaid Incorporated, Wooster, Ohio**

[\*\*] **Term: 14 Years**

[21] **Appl. No.: 230,507**

[22] **Filed: Aug. 10, 1988**

[52] **U.S. Cl. .... D34/40**

[58] **Field of Search .... D34/40-46; 211/126, 194; 206/509, 503, 515, 518, 349**

[56] **References Cited**

**U.S. PATENT DOCUMENTS**

- D. 205,866 9/1966 Asenbauer ..... D34/40
- D. 224,369 7/1972 Mears ..... D34/40
- D. 242,659 12/1976 Clipson et al. .... D34/40
- D. 282,883 3/1986 Kiiski ..... D34/40

- D. 301,927 6/1989 Williams ..... D34/40
- D. 304,638 11/1989 Ireland ..... D34/40
- 2,758,742 8/1956 Farrell ..... 206/509 X
- 3,113,680 12/1963 Frater et al. .... 211/126
- 3,347,394 10/1967 Gould ..... 206/509 X

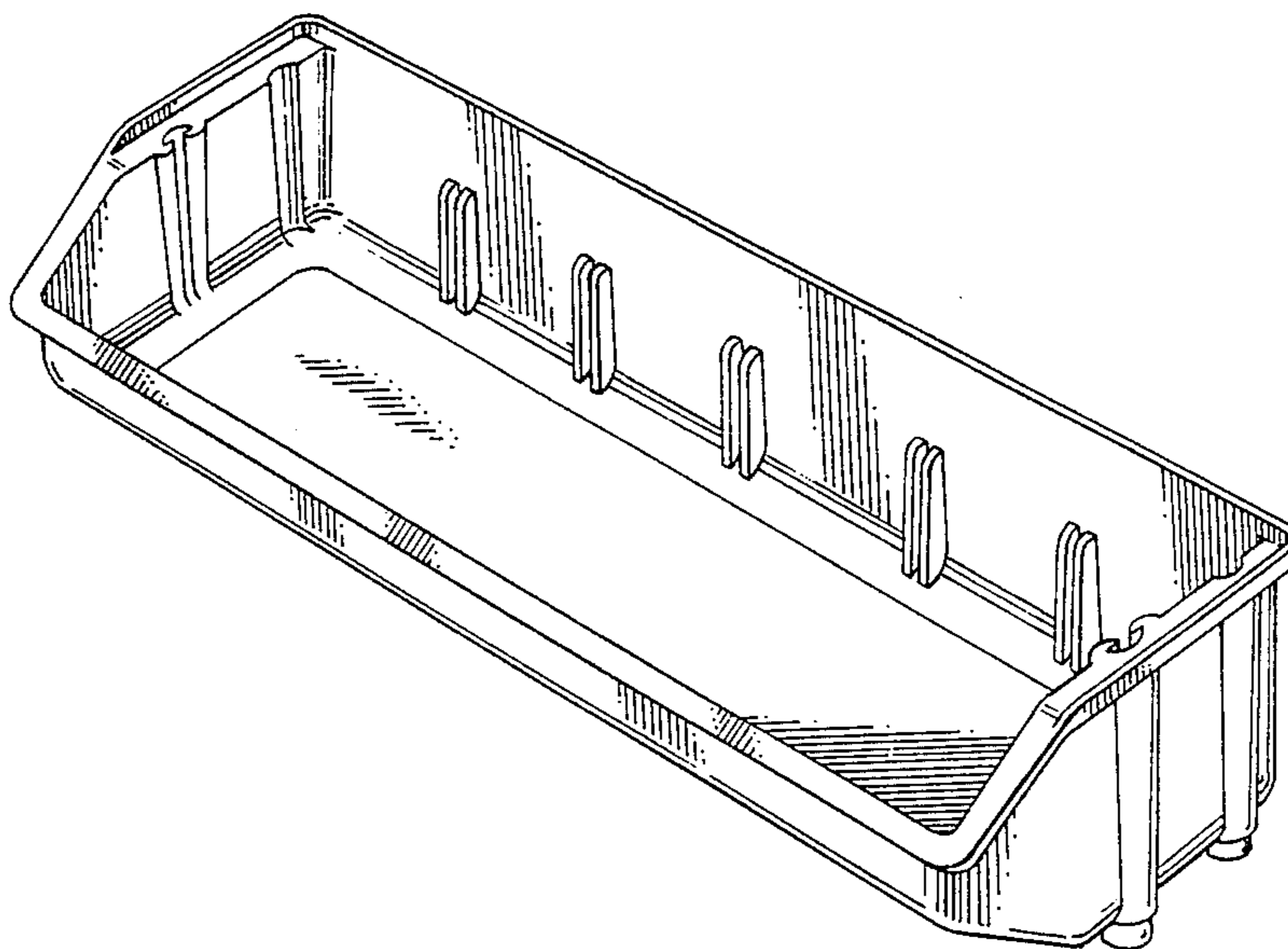
*Primary Examiner*—Melvin B. Feifer  
*Assistant Examiner*—Prabhakar Deshmukh  
*Attorney, Agent, or Firm*—Richard B. O’Planick

[57] **CLAIM**

The ornamental design for an elongated parts bin, as shown and described.

**DESCRIPTION**

FIG. 1 is a front perspective view of an elongated parts bin embodying our new design.  
FIG. 2 is an end view thereof. The end view opposite to that depicted in FIG. 2 is identical in appearance.  
FIG. 3 is a top plan view thereof.  
FIG. 4 is a front elevational view thereof.  
FIG. 5 is a bottom plan view thereof.  
FIG. 6 is a rear elevational view thereof.



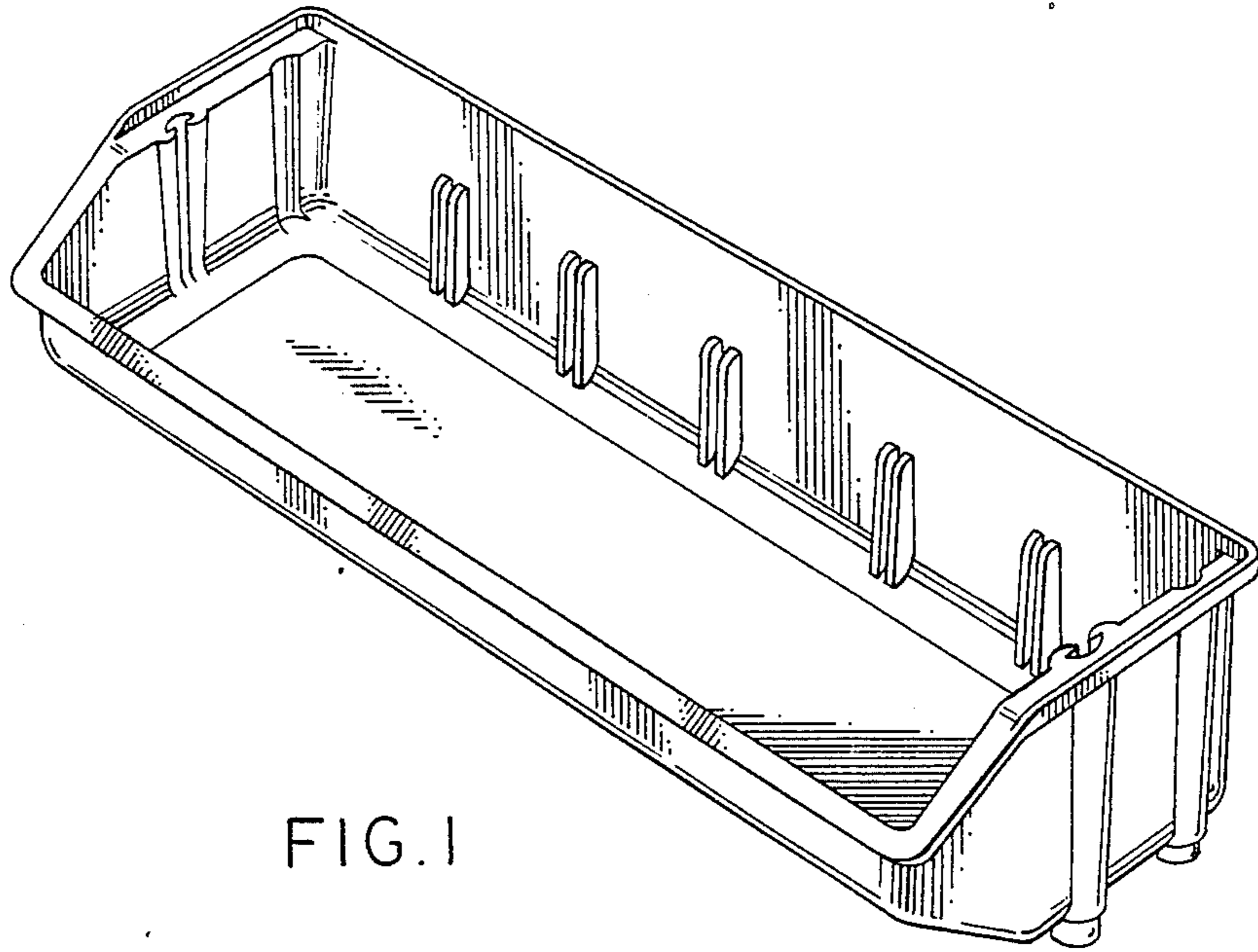


FIG. 1

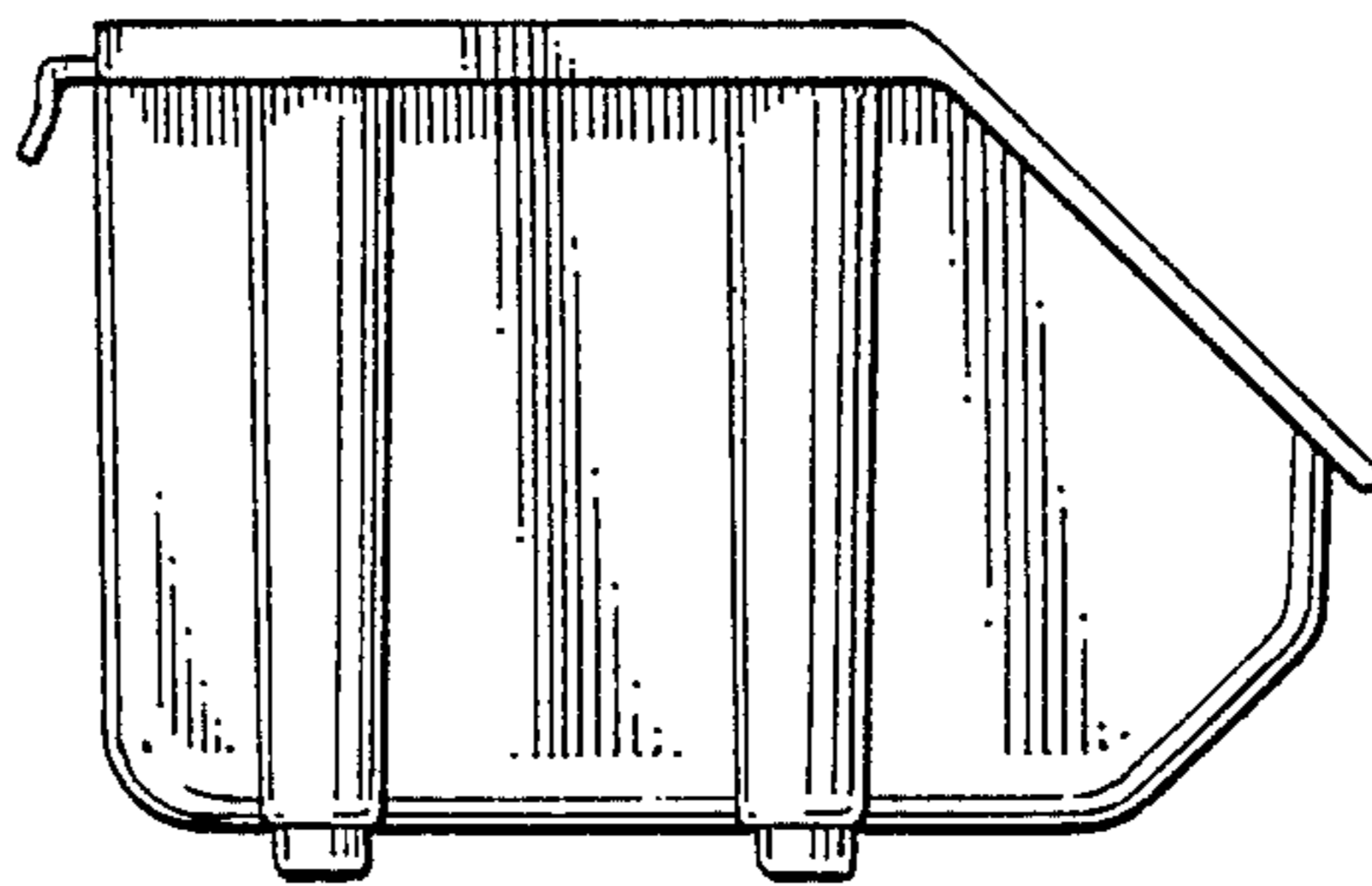


FIG. 2

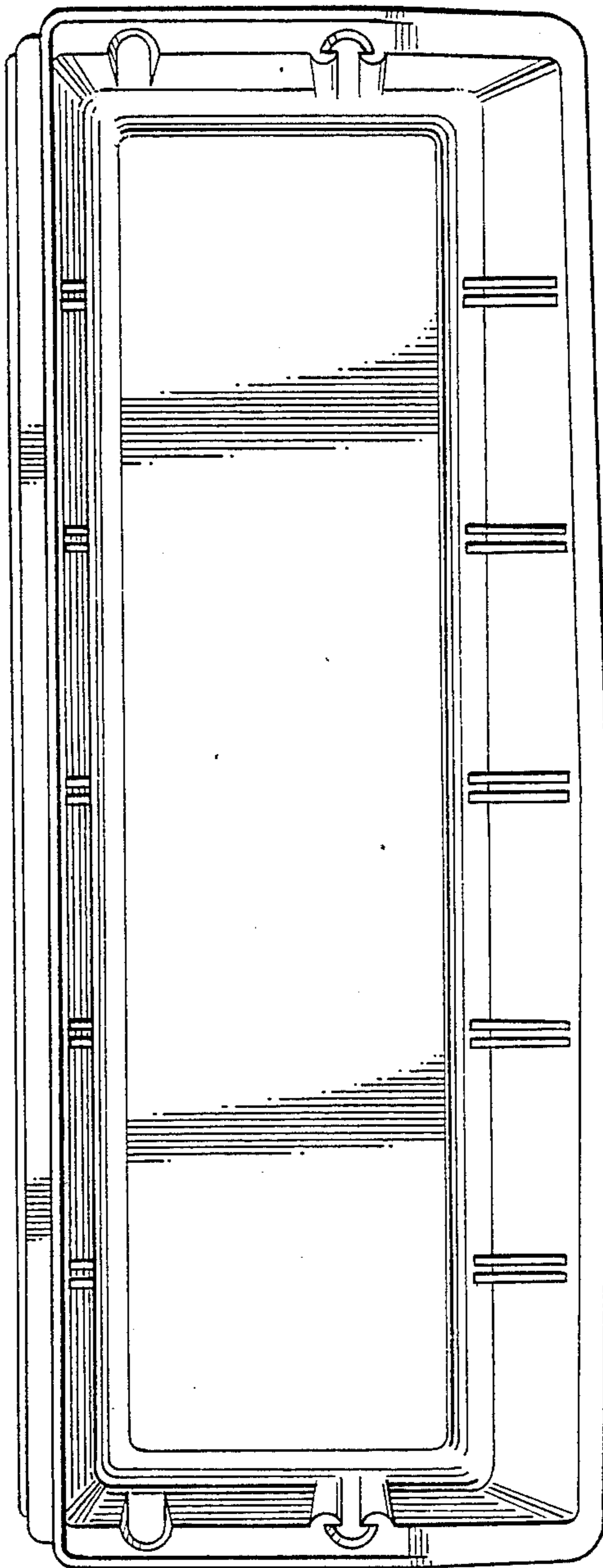


FIG. 3

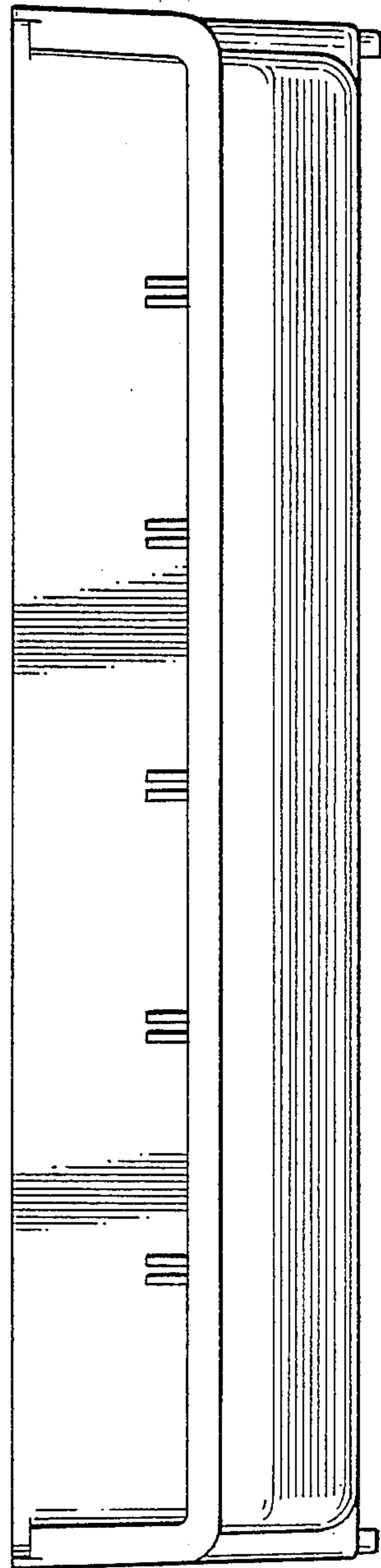


FIG. 4

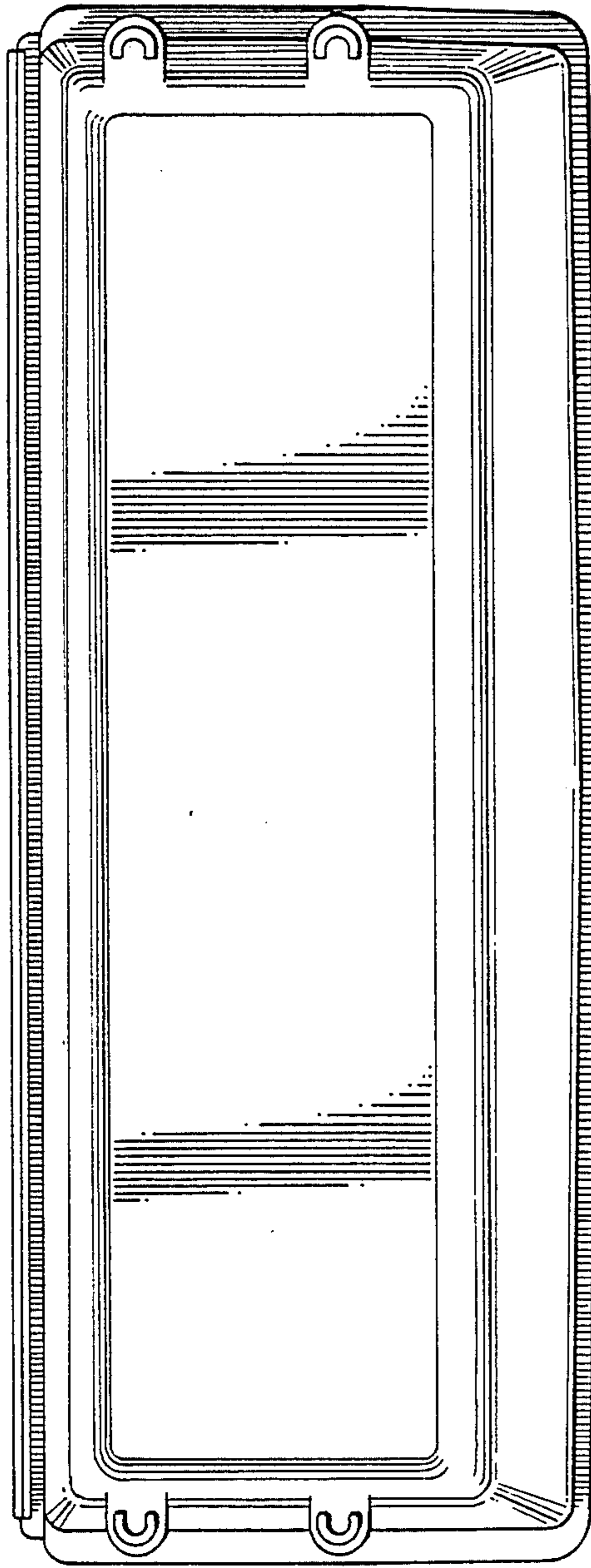


FIG. 5

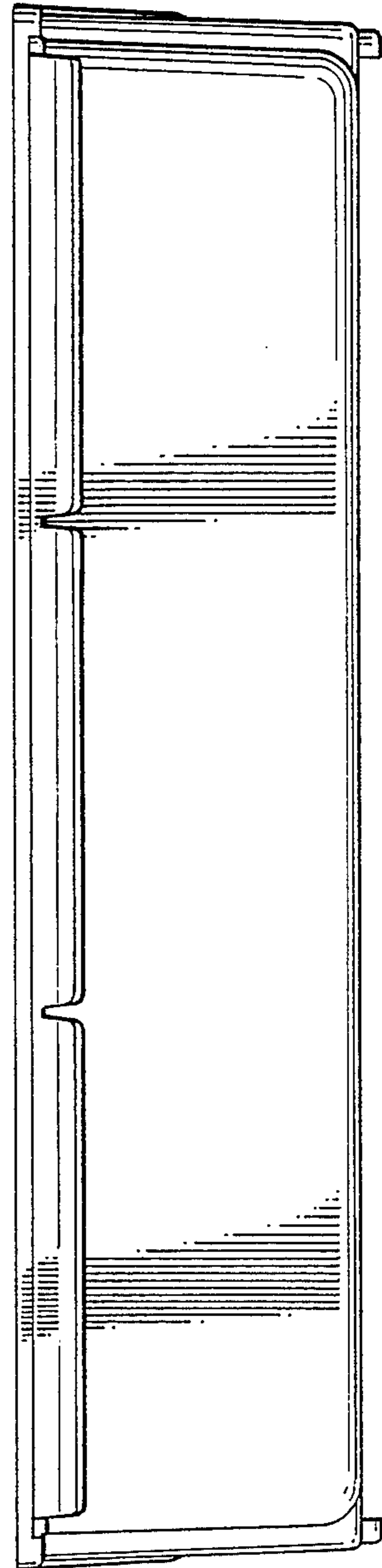


FIG. 6