

[54] MECHANIC'S CREEPER

2,487,706 11/1949 Happ 280/32.6

[76] Inventor: William Fagan, 10 Garfield Pl.,
Lindenhurst, N.Y. 11757

Primary Examiner—Wallace R. Burke
Assistant Examiner—Kay H. Chin

[**] Term: 14 Years

[57] CLAIM

[21] Appl. No.: 156,192

The ornamental design for a mechanic's creeper, as shown and described.

[22] Filed: Feb. 16, 1988

[52] U.S. Cl. D34/23; D34/17

[58] Field of Search D34/23, 12, 27, 17;
280/32.6, 79.1

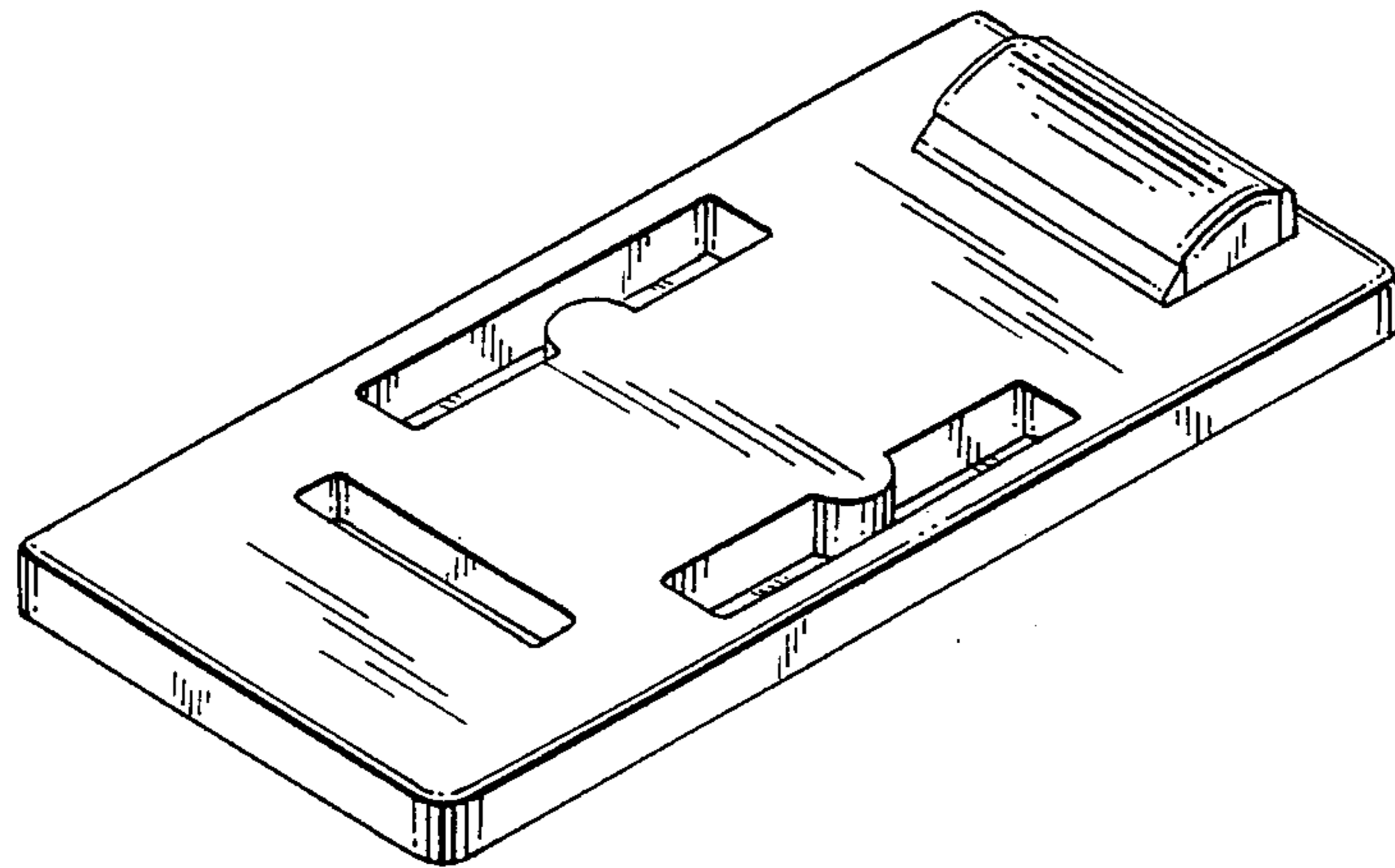
DESCRIPTION

FIG. 1 is a front and top perspective view of a mechanic's creeper showing my new design;
FIG. 2 is a top plan view thereof;
FIG. 3 is a side elevational view thereof, the opposite side view being a mirror image of that shown;
FIG. 4 is a front elevational view thereof;
FIG. 5 is a rear elevational view thereof; and
FIG. 6 is a bottom plan view thereof.

[56] References Cited

U.S. PATENT DOCUMENTS

- D. 242,909 1/1977 Miller D34/23
- D. 299,076 12/1988 Whiteside D34/23



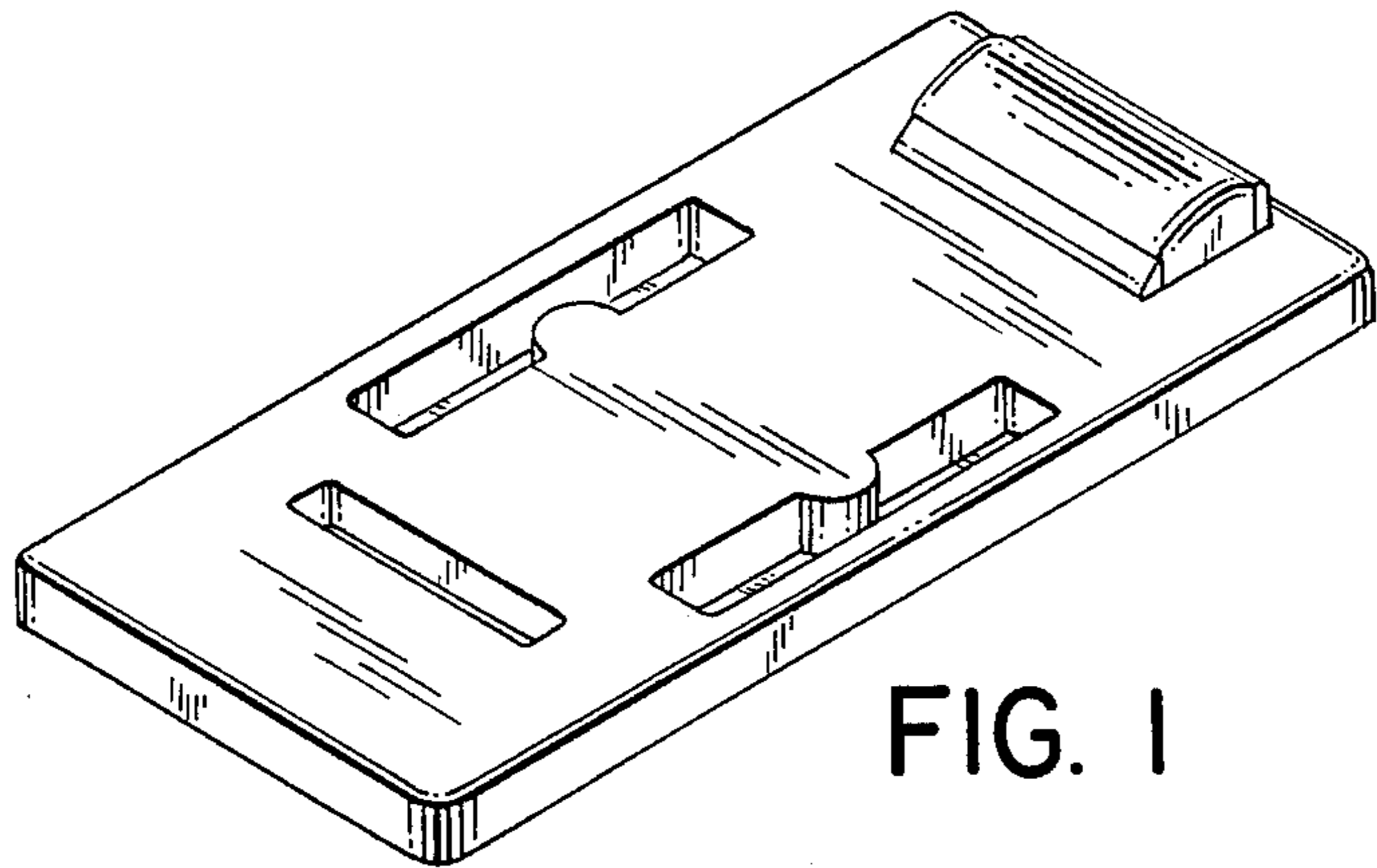


FIG. 1

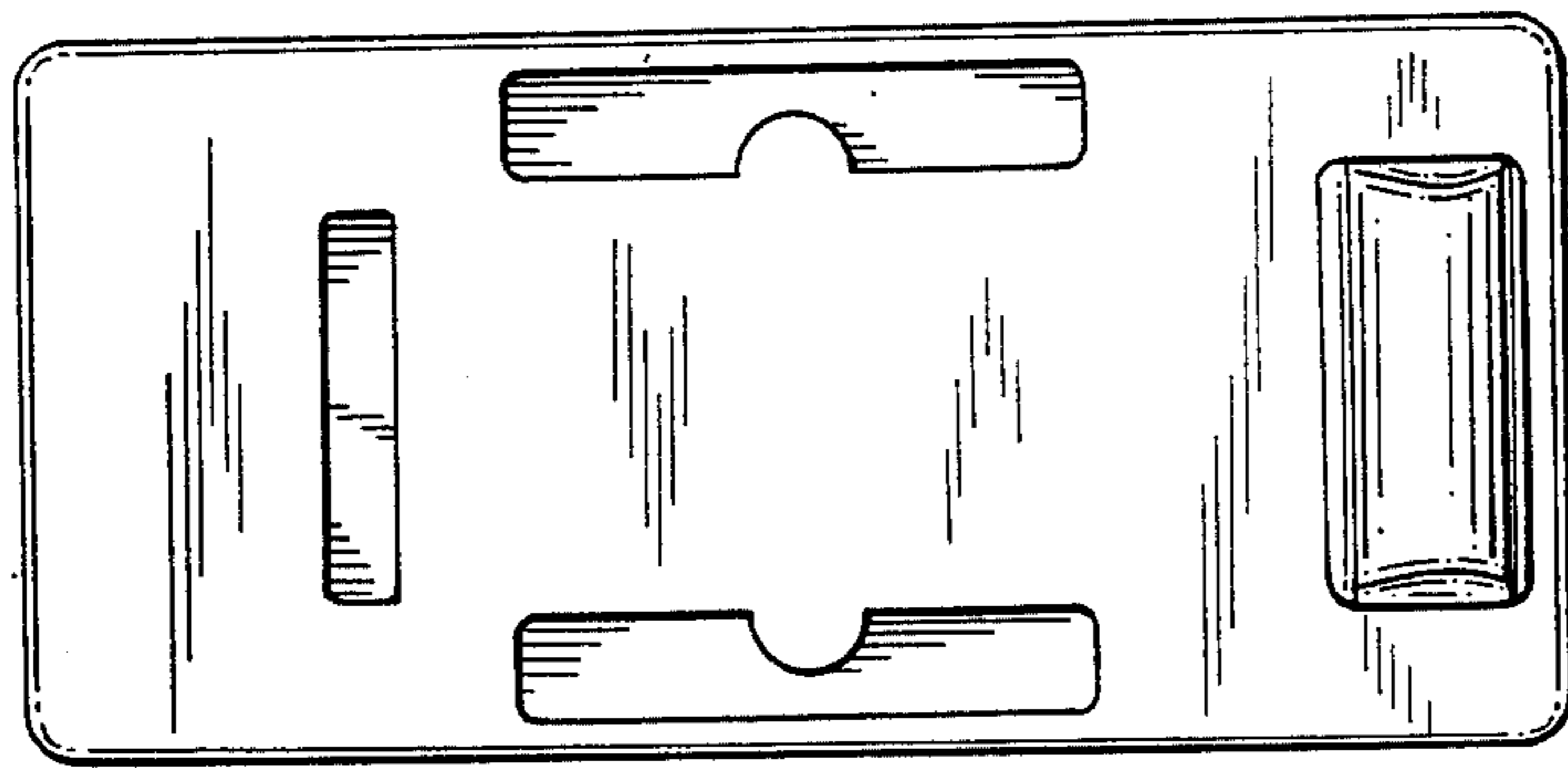


FIG. 2



FIG. 4

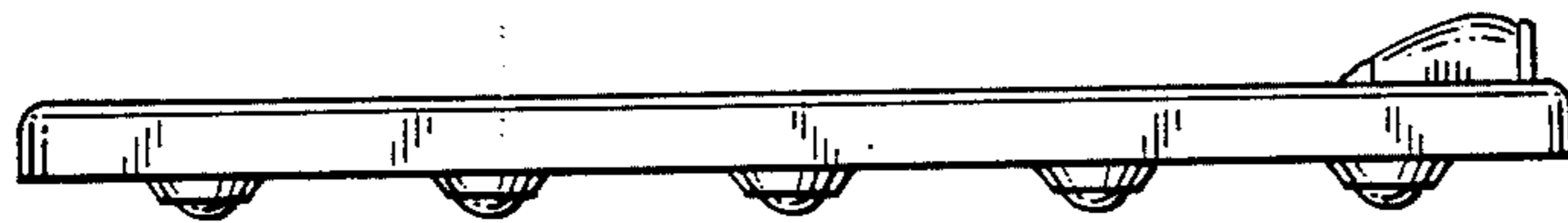


FIG. 3

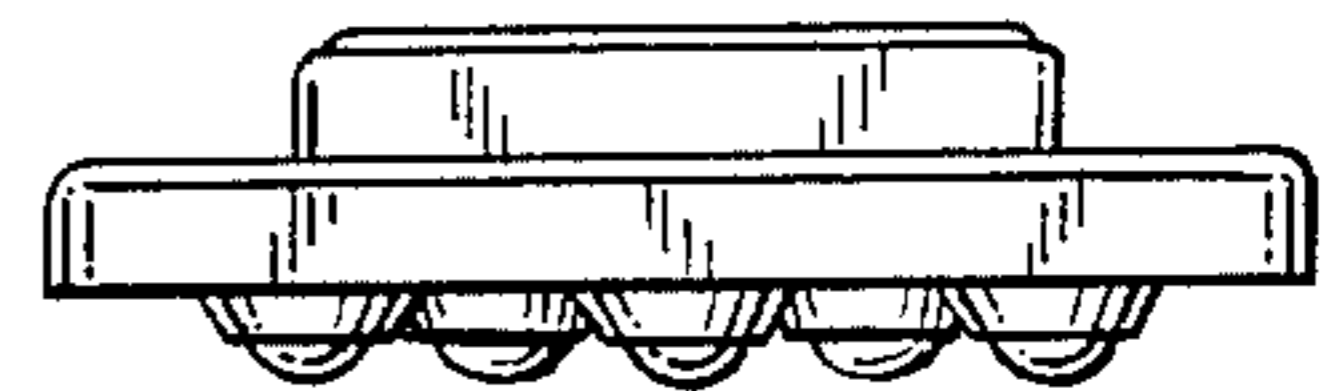


FIG. 5

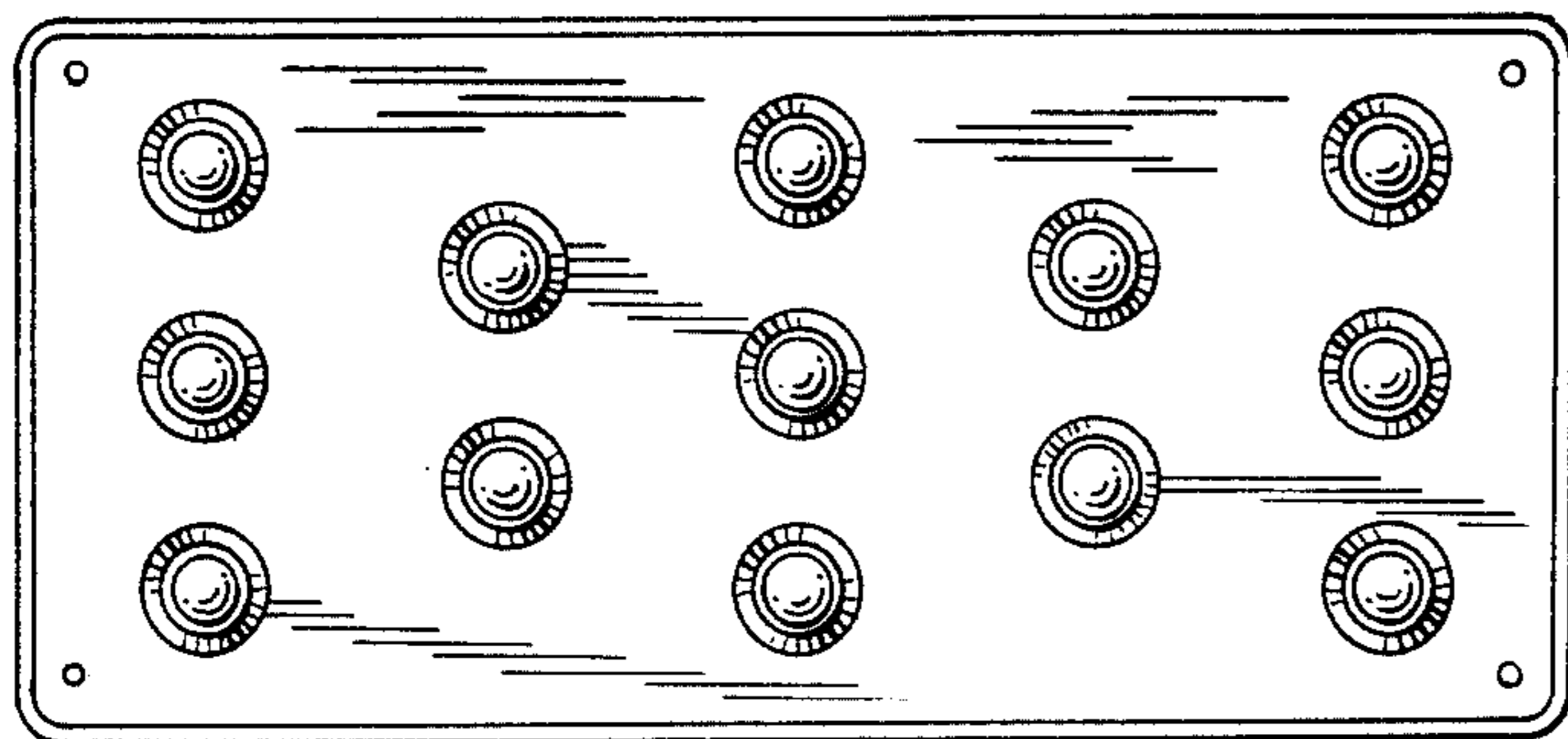


FIG. 6