

[54] **TRASH BAG FUNNEL**

[76] **Inventor: Harold B. Bishop, 1737 Sylvan Dr.,  
Montgomery, Ala. 36106**

[\*\*] **Term: 14 Years**

[21] **Appl. No.: 150,701**

[22] **Filed: Feb. 1, 1988**

[52] **U.S. Cl. .... D34/5; D7/700;  
D34/28; D23/200**

[58] **Field of Search .... D34/1, 5, 6, 28;  
248/95, 97, 99, 100, 101; D7/68**

[56] **References Cited**

**U.S. PATENT DOCUMENTS**

D. 236,938	9/1975	Bowen	.....	D7/68
657,644	9/1900	Carney	.....	248/101
3,514,061	5/1970	Doyen	.....	248/97
4,659,045	4/1987	Flynn	.....	248/99
4,664,348	5/1987	Corsant, III et al.	.....	248/99

4,749,011	6/1988	Rylander	.....	248/99
4,832,291	5/1989	Nelson et al.	.....	248/99
4,832,292	5/1989	Beckham	.....	D34/5

*Primary Examiner*—Wallace R. Burke  
*Assistant Examiner*—Kay H. Chin  
*Attorney, Agent, or Firm*—Richard C. Litman

[57] **CLAIM**

The ornamental design for a trash bag funnel, as shown and described.

**DESCRIPTION**

FIG. 1 is a front perspective view of a trash bag funnel showing my new design;  
FIG. 2 is a right side elevational view thereof, the left side view being a mirror image of that shown;  
FIG. 3 is a top plan view thereof.  
FIG. 4 is a rear elevational view thereof.  
FIG. 5 is a bottom plan view thereof.  
FIG. 6 is a right side and front perspective view thereof, the broken lines are for illustrative purposes only.

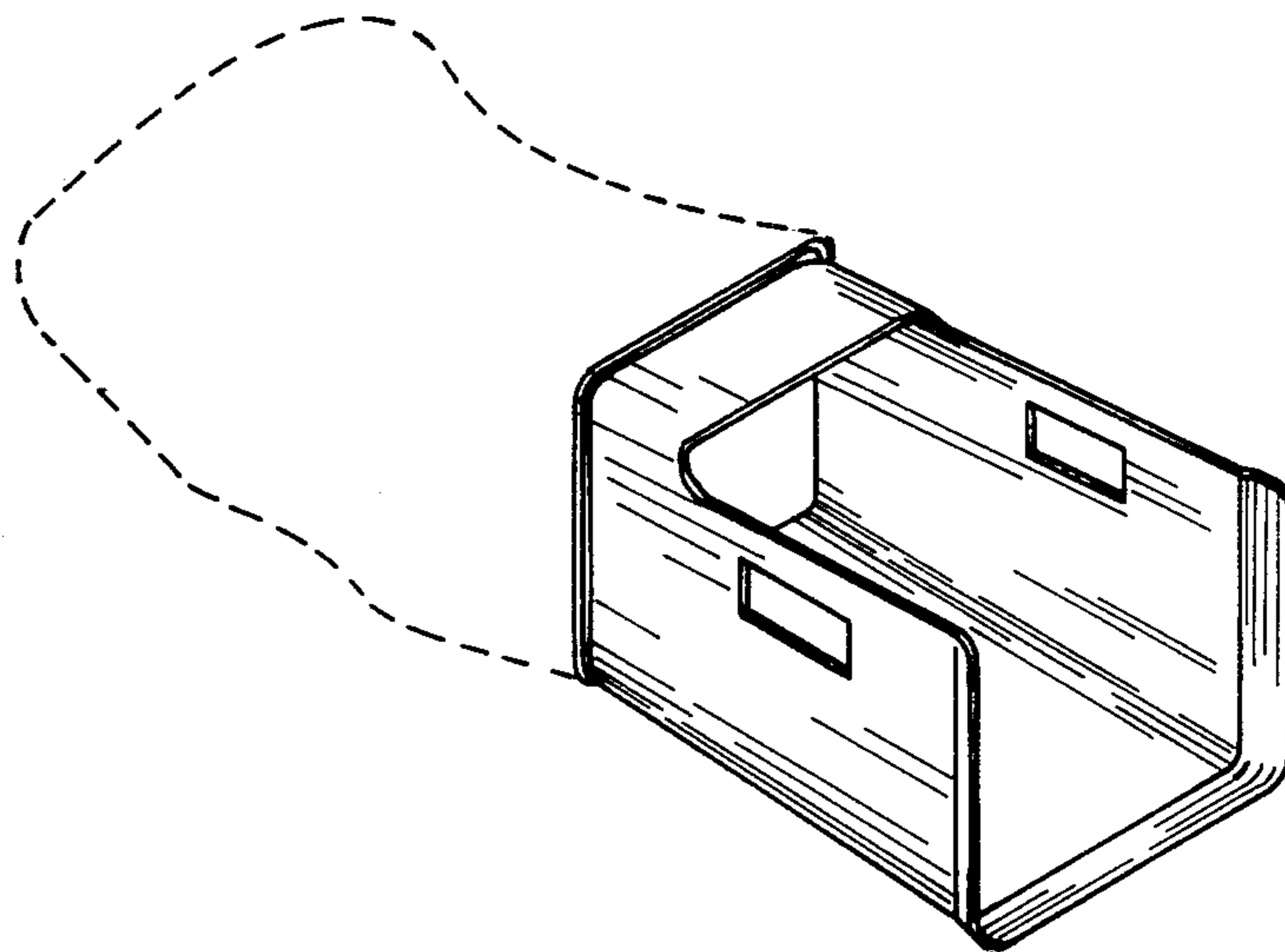


FIG. 1

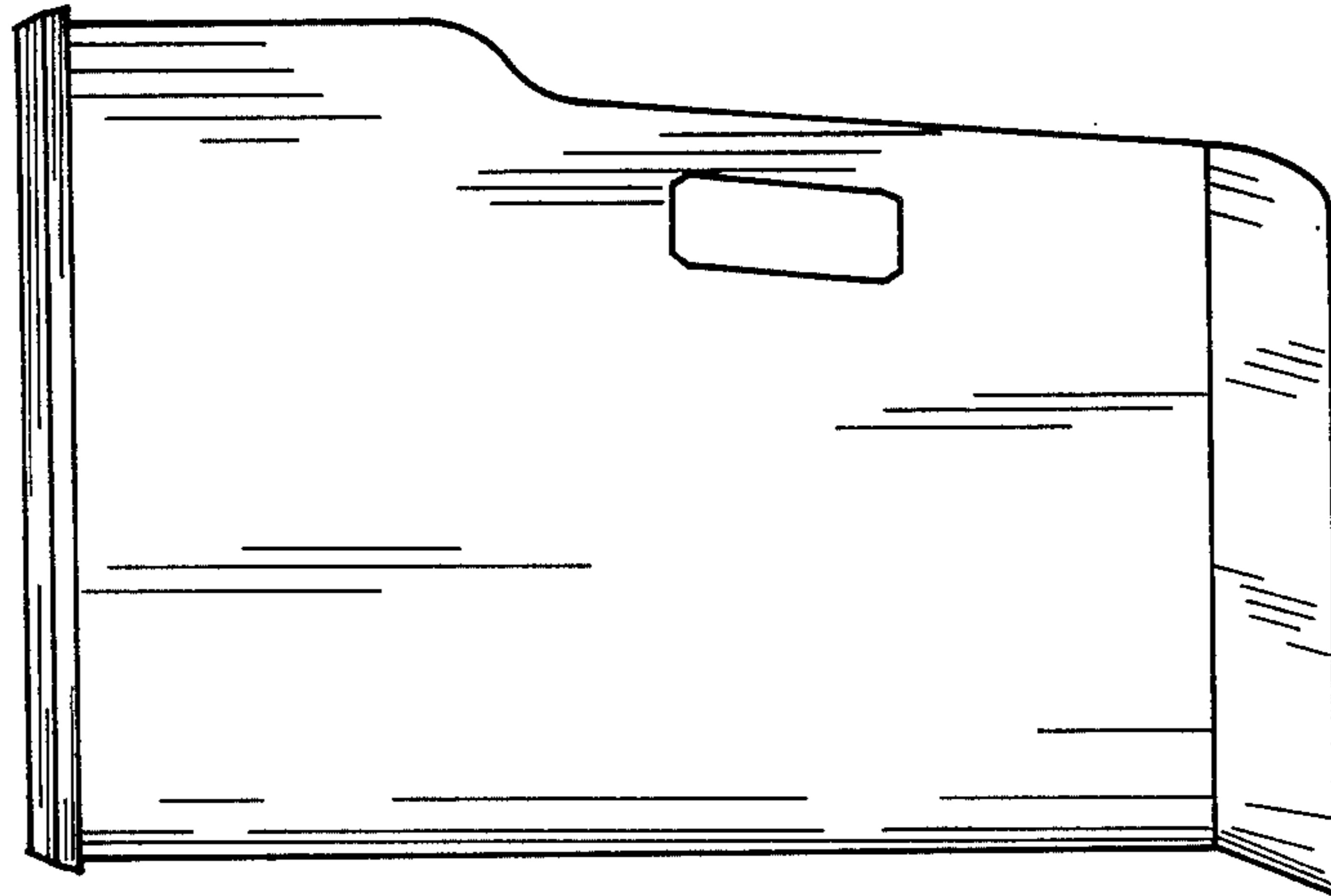
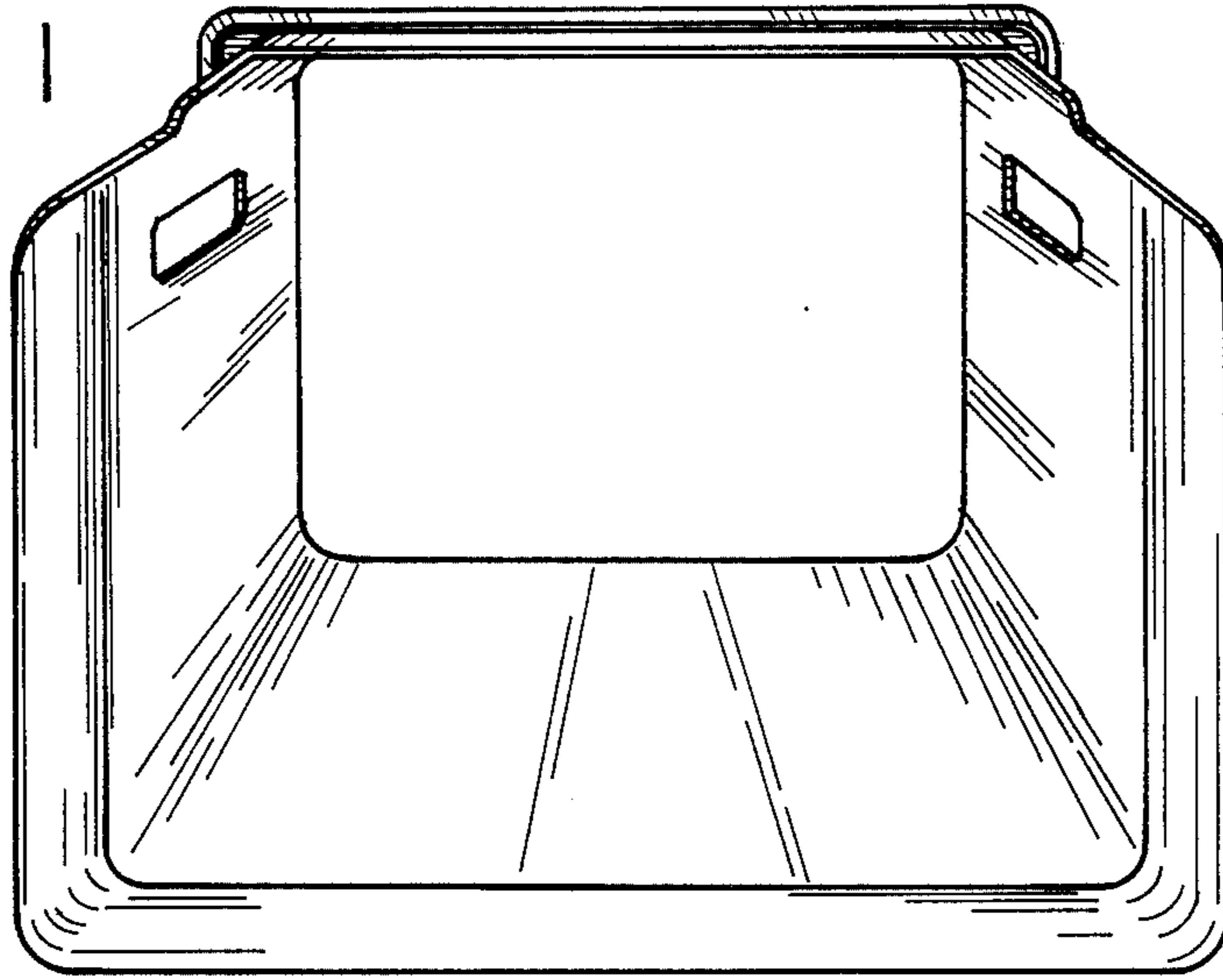


FIG. 2

FIG. 3

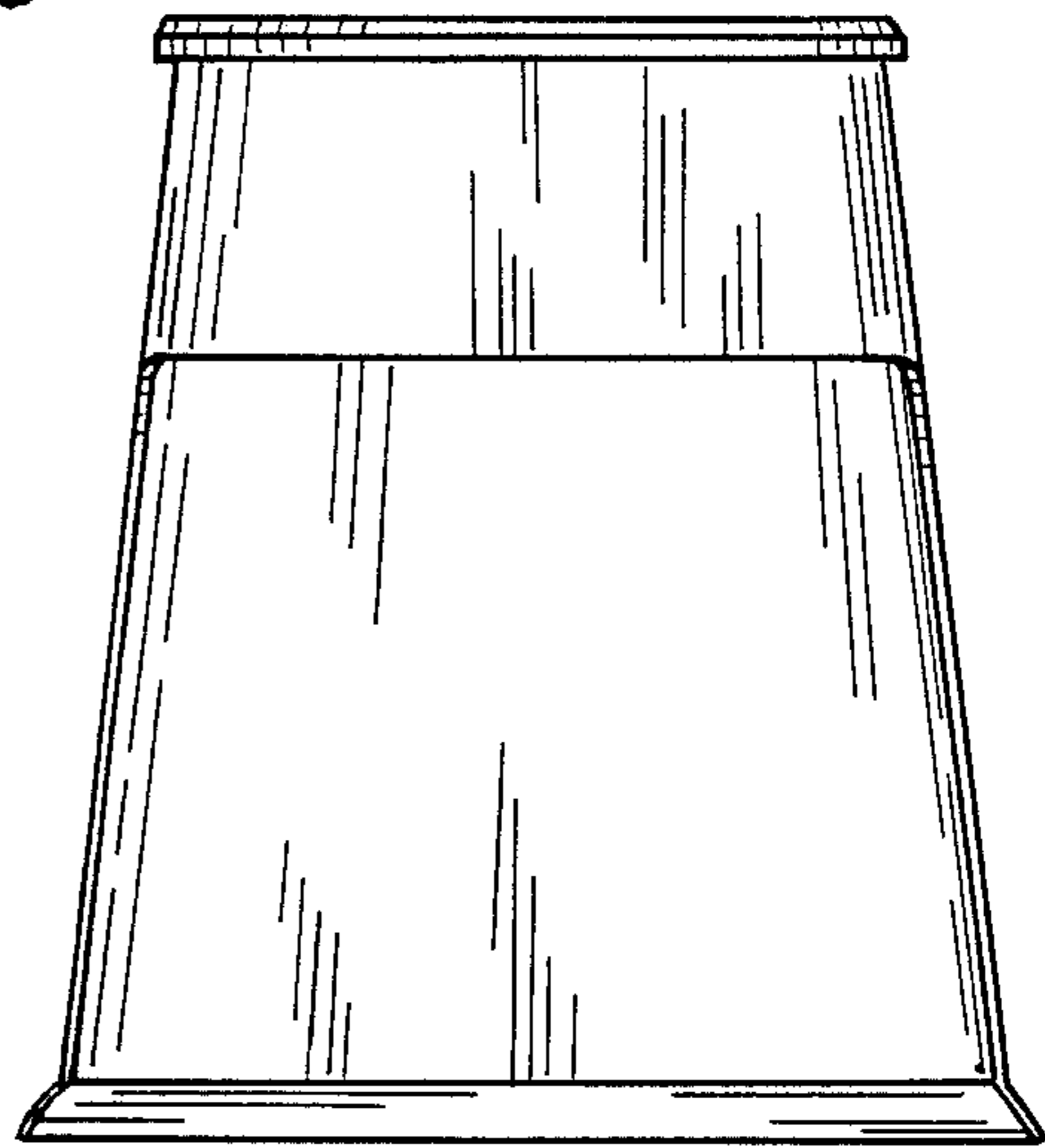


FIG. 4

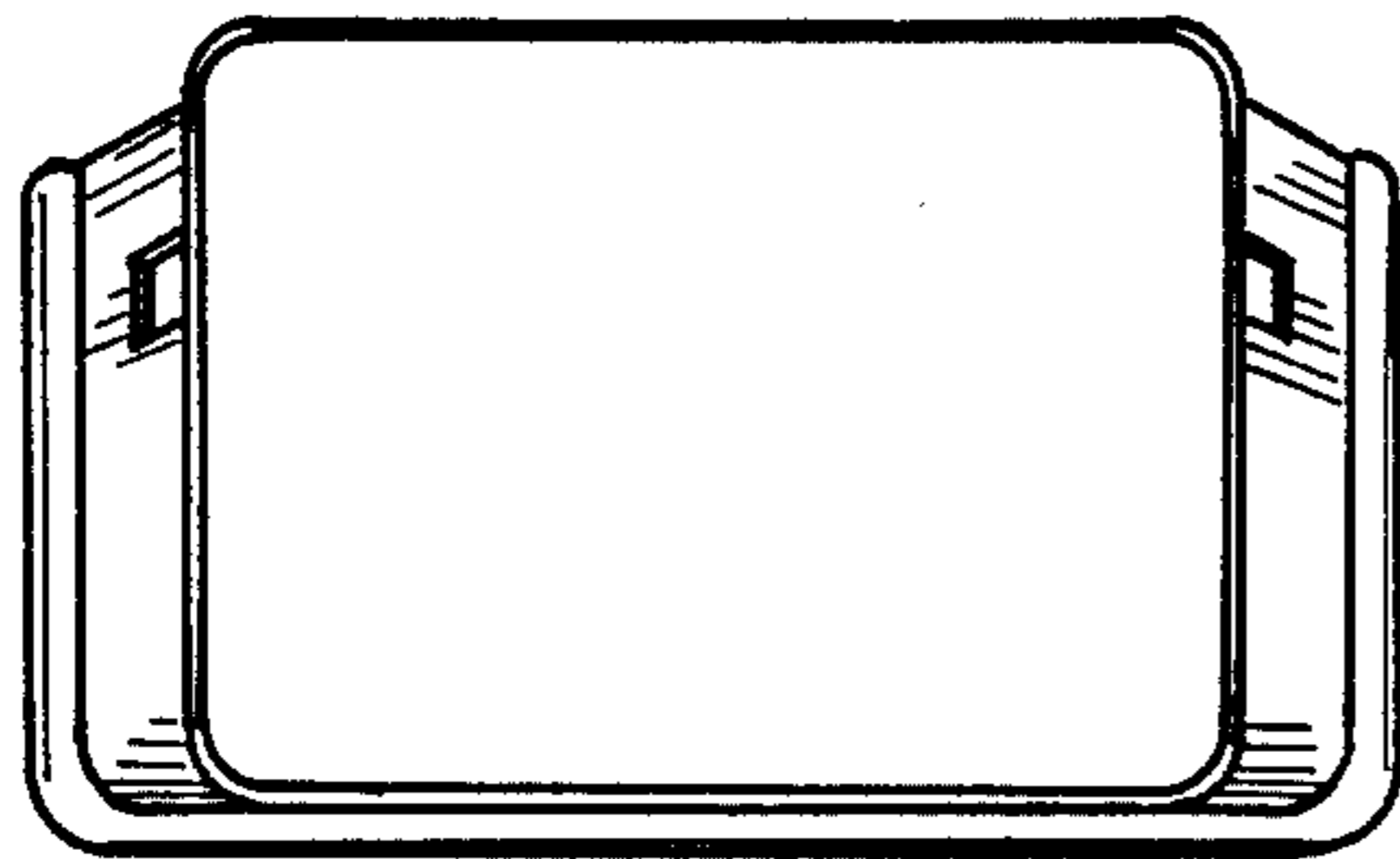


FIG. 5

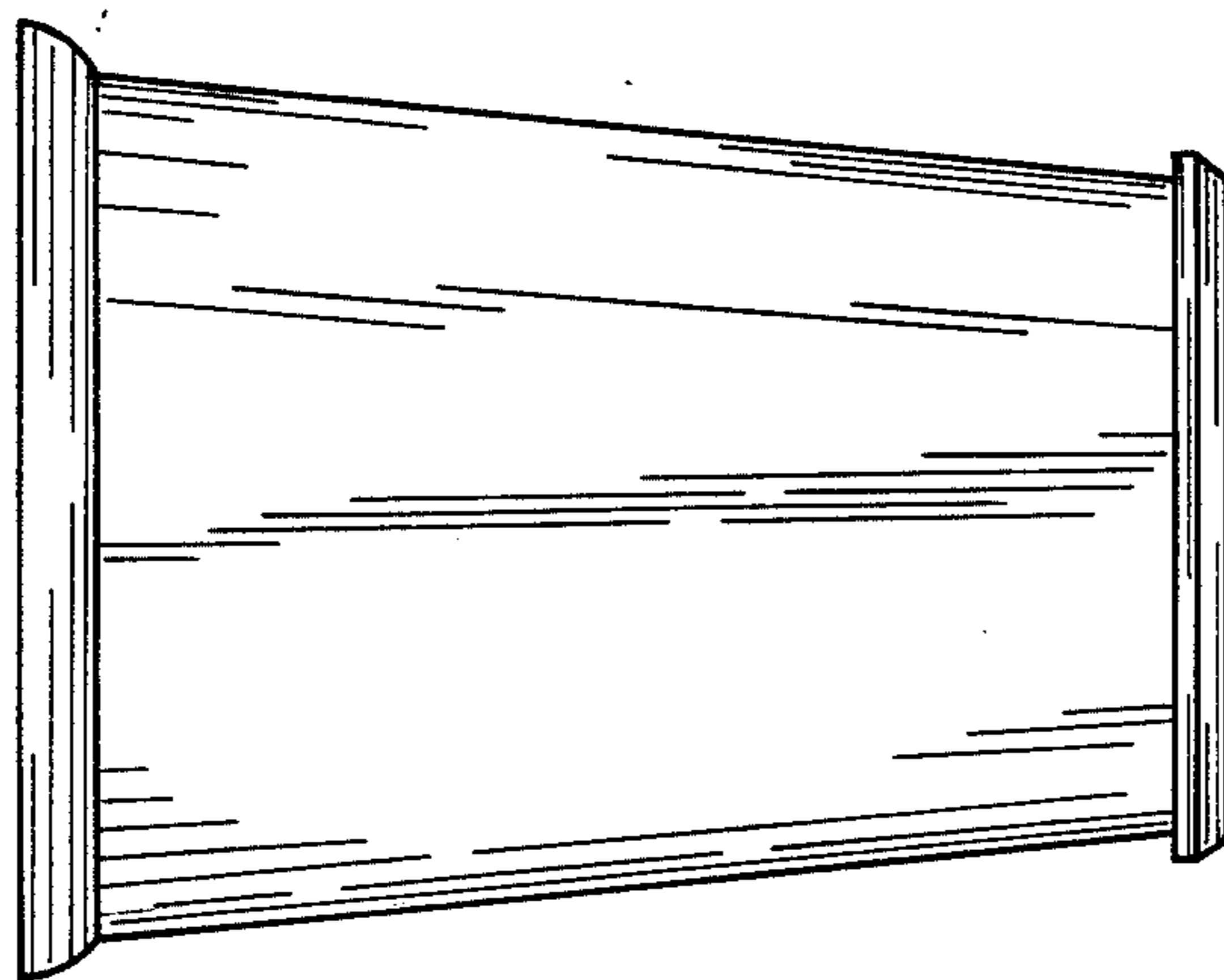


FIG. 6

