

[54] CLEANING UNIT FOR COLLECTING DEBRIS IN A SWIMMING POOL

[75] Inventor: David A. Brooks, Roodepoort, South Africa

[73] Assignee: Spooner Est, Vaduz, Liechtenstein

[**] Term: 14 Years

[21] Appl. No.: 928,118

[22] Filed: Nov. 7, 1986

[52] U.S. Cl. D32/25

[58] Field of Search D32/1, 25, 35; 210/169, 210/242.1, 416.2; 15/1.7; 134/167 R

[56] References Cited

U.S. PATENT DOCUMENTS

3,108,298	10/1963	Gelinas	210/169 X
4,129,904	12/1978	Pansini	134/167 R X
4,169,484	10/1979	Bonigut et al.	134/167 R

Primary Examiner—Wallace R. Burke

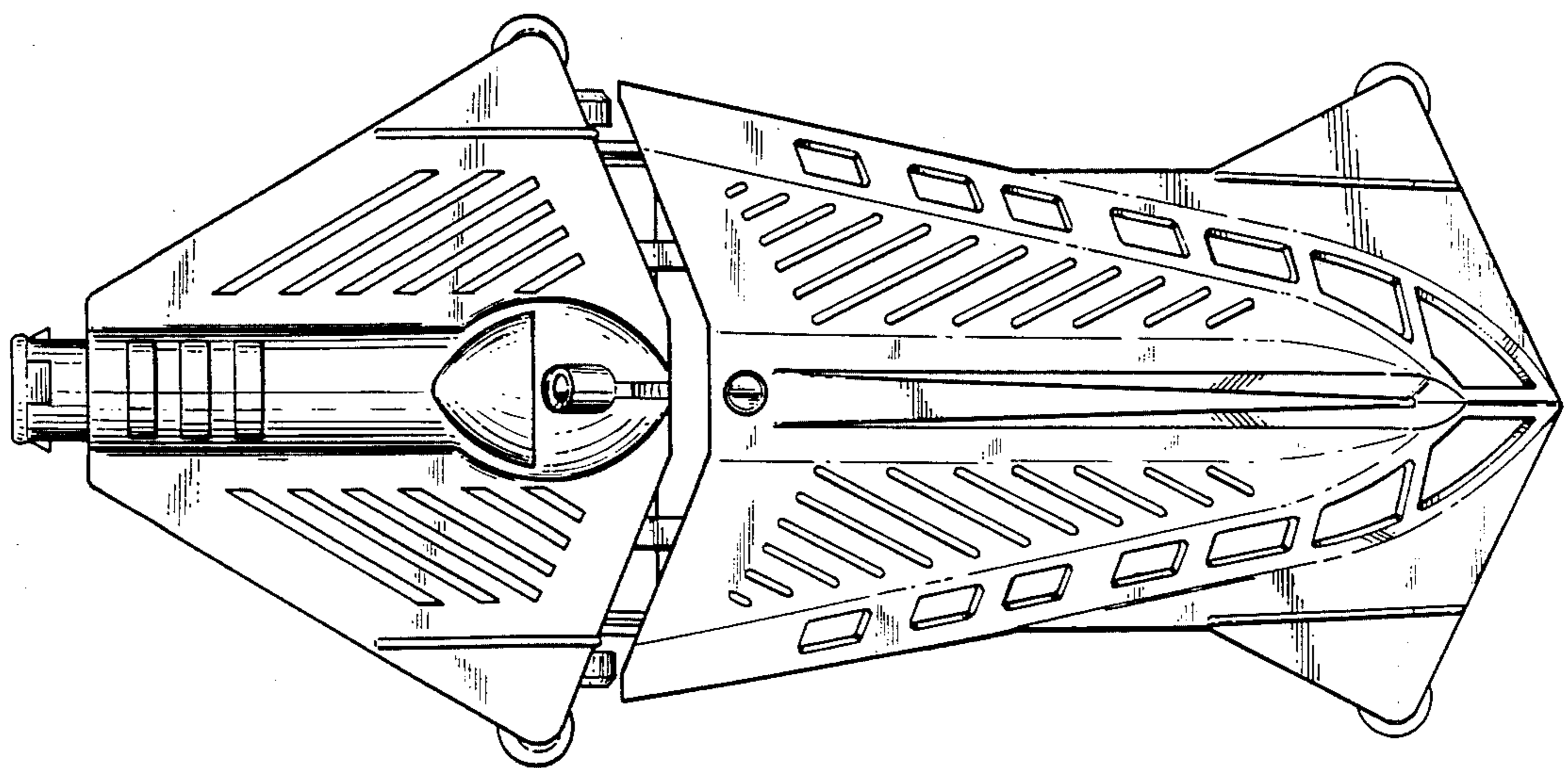
Assistant Examiner—Lavone D. Tabor

[57] CLAIM

The ornamental design for a cleaning unit for collecting debris in a swimming pool, as shown.

DESCRIPTION

FIG. 1 is a top plan view of a cleaning unit for collecting debris in a swimming pool showing my new design; FIG. 2 is a bottom plan view thereof; FIG. 3 is a side elevational view thereof; FIG. 4 is a top perspective view thereof; and, FIG. 5 is a bottom perspective view thereof.



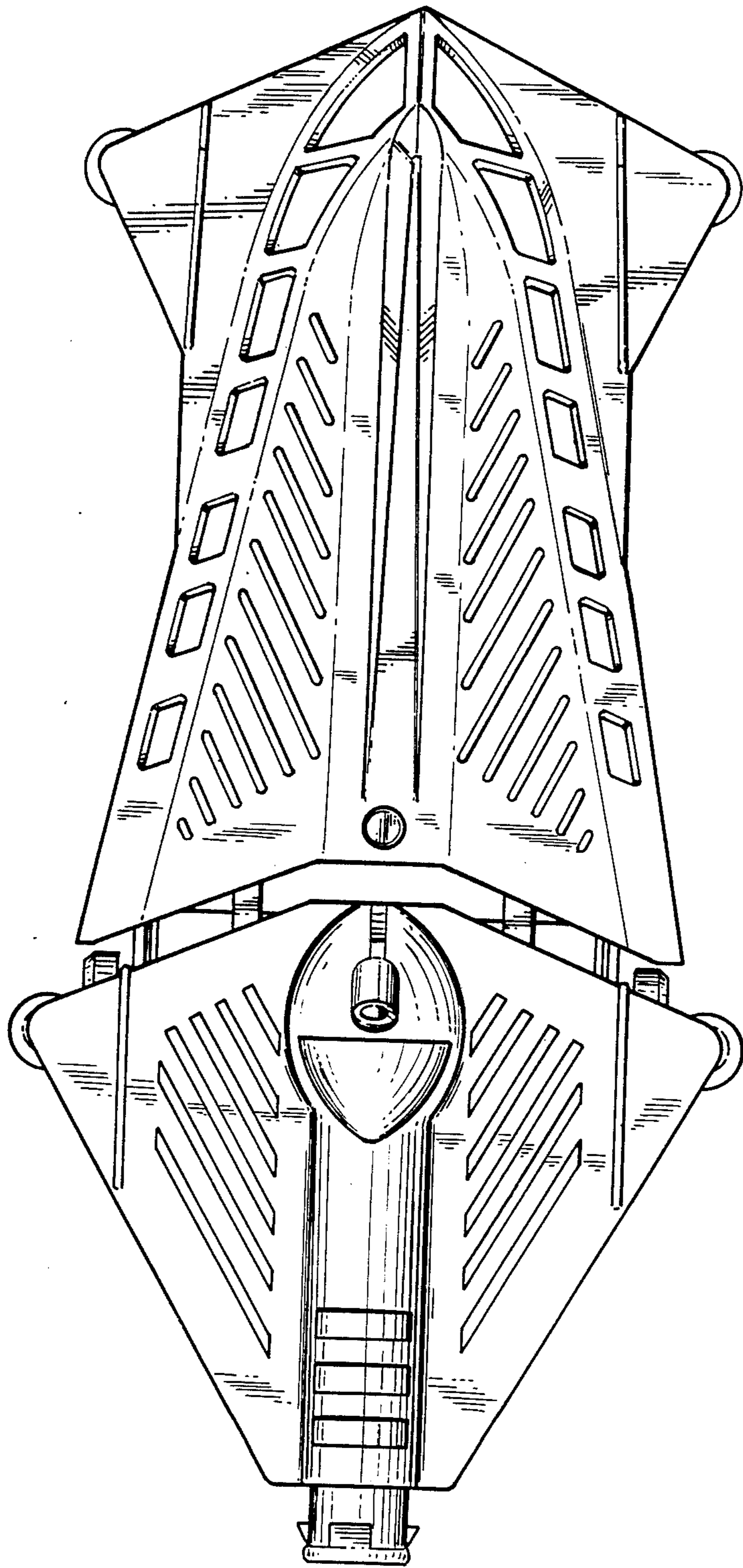


FIG 1

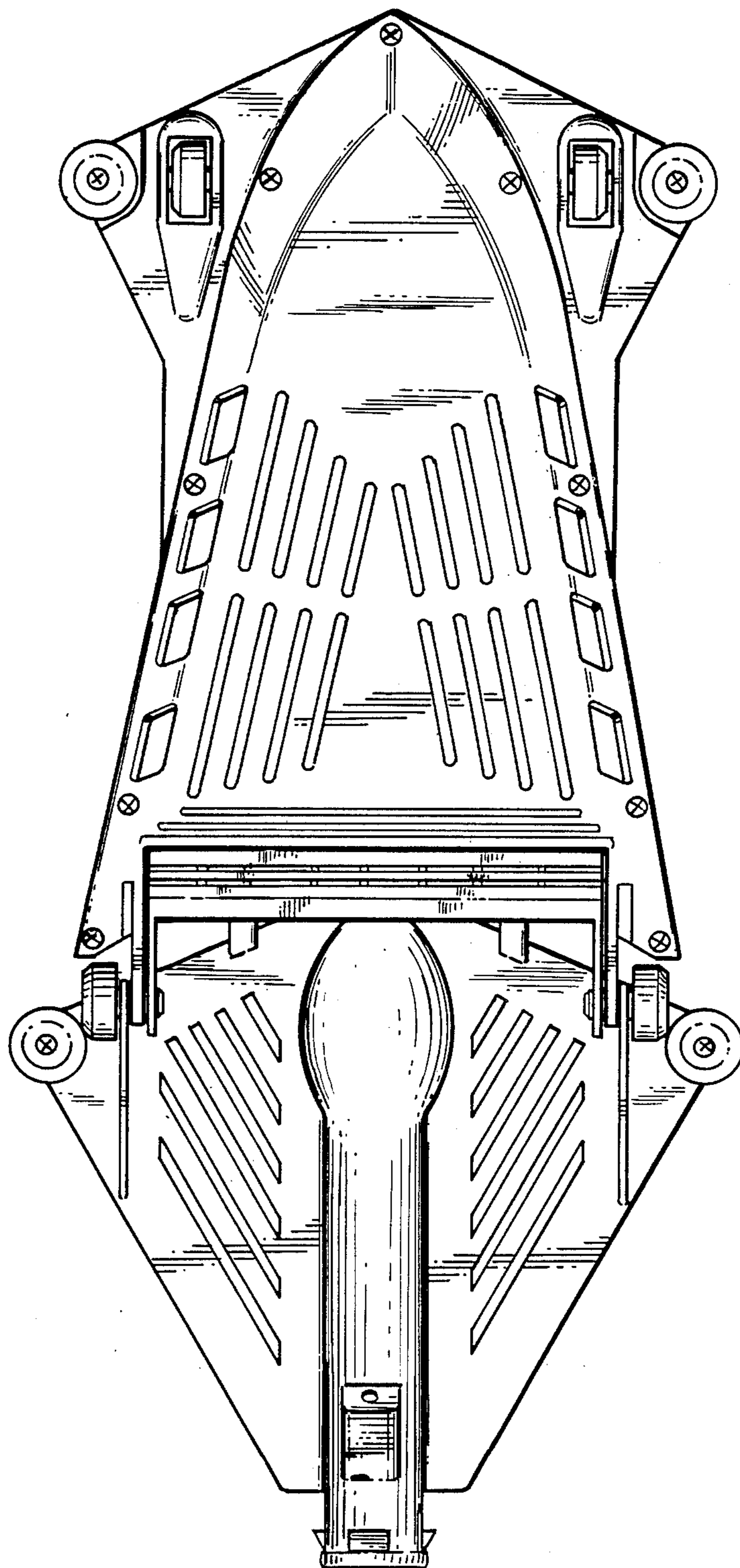


FIG 2

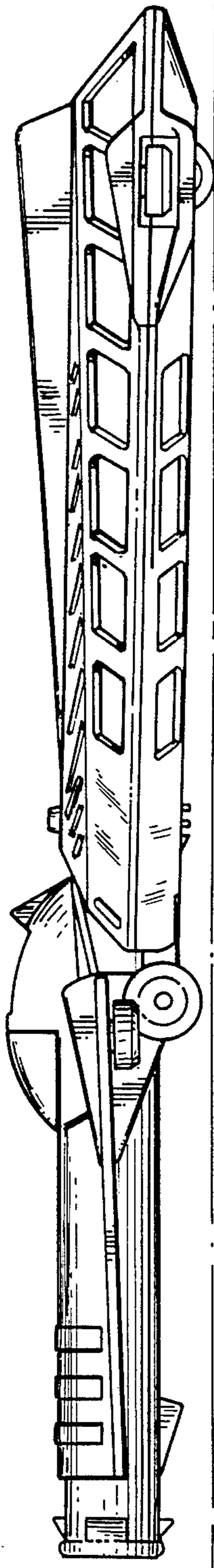


FIG 3

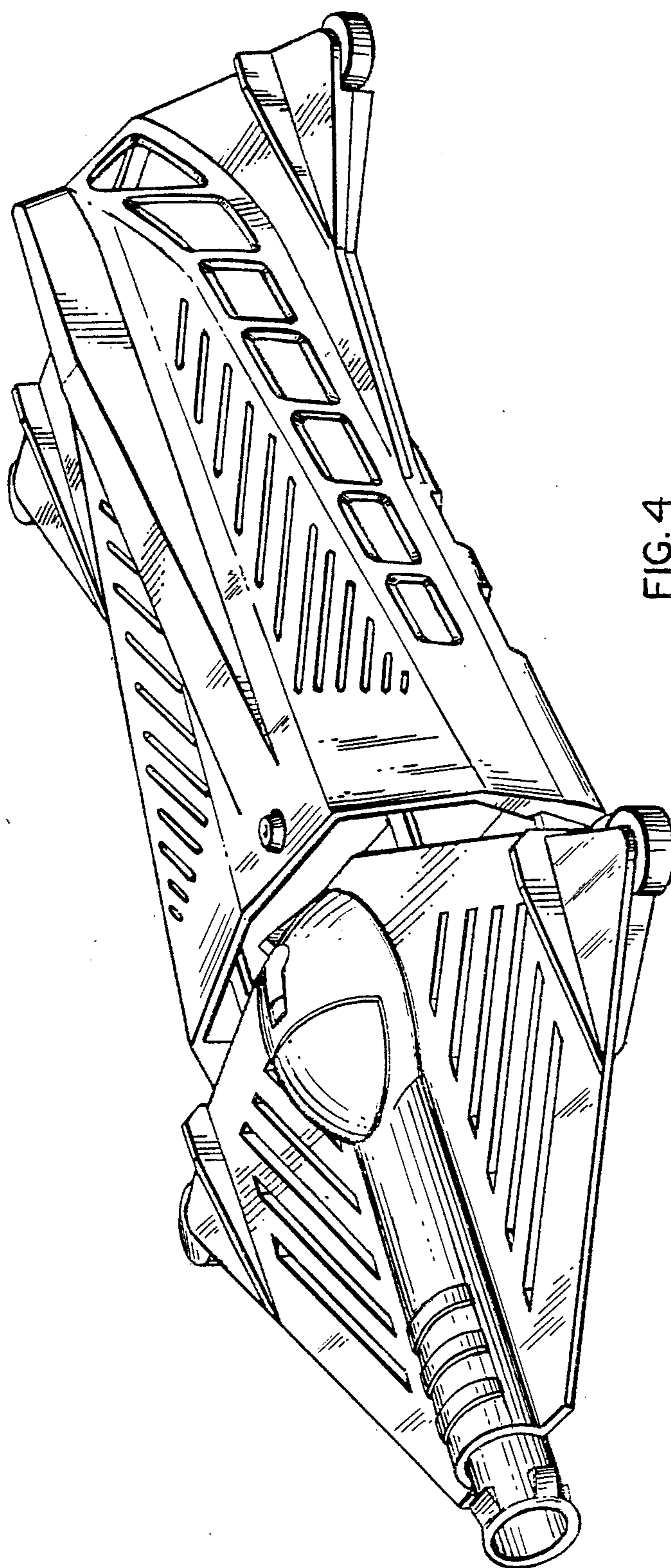


FIG. 4

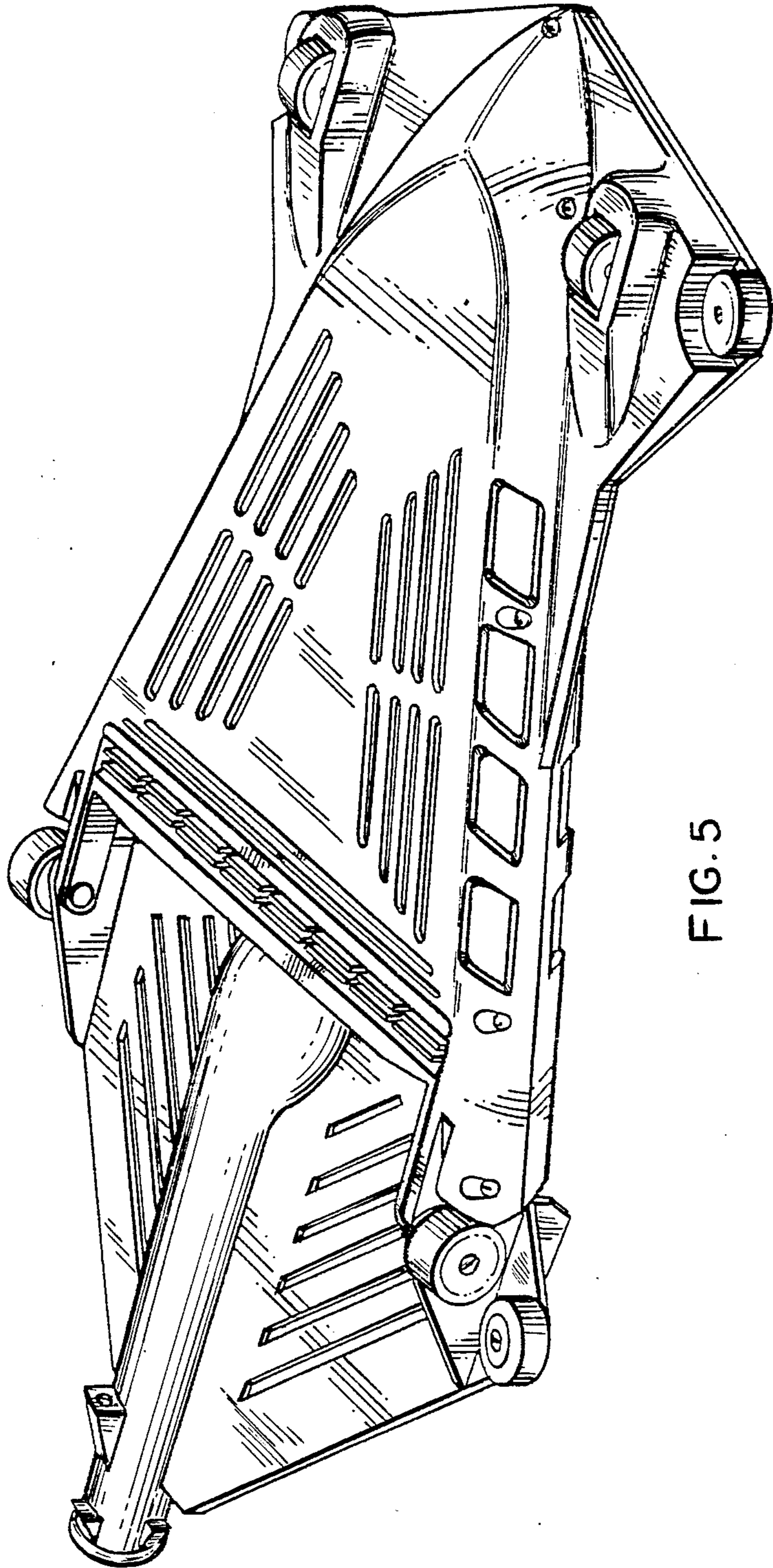


FIG. 5