

[54] DISTRIBUTOR HOUSING AND COVER FOR A WILDLIFE FEEDER MOTOR

[76] Inventor: Earl E. Cureton, 358 Fenwick Dr., San Antonio, Tex. 78239

[\*\*] Term: 14 Years

[21] Appl. No.: 3,221

[22] Filed: Jan. 14, 1987

[52] U.S. Cl. .... D30/122; D13/112

[58] Field of Search ..... D30/123, 124, 121, 122, D30/125, 126, 127, 128; 119/51.04, 51.11, 57.91, 57.92; 310/89; D13/112, 122; D23/266; 138/DIG. 11, 172, 177, 178

[56] References Cited

U.S. PATENT DOCUMENTS

D. 168,337	12/1952	Cusenbary	.....	D30/121
448,256	3/1891	Person	.....	119/51.11
1,575,930	3/1926	Olson	.....	119/57.91
1,733,455	10/1929	Ferrand	.....	138/172
2,972,334	2/1961	Braden	.....	D30/124
3,225,742	12/1965	Hagans	.....	119/51.11

3,942,478	3/1976	Lane	.....	D30/122
4,548,334	10/1985	Huber et al.	.....	310/89

FOREIGN PATENT DOCUMENTS

502268	3/1939	United Kingdom	.....	119/56
--------	--------	----------------	-------	--------

Primary Examiner—James R. Largen  
Assistant Examiner—CathyAnne MacCormac  
Attorney, Agent, or Firm—Thomas E. Sisson

[57] CLAIM

The ornamental design of a distributor housing and cover for a wildlife feeder motor, as shown and described.

DESCRIPTION

FIG. 1 is a top plan view of a distributor housing and cover for a wildlife feeder motor showing my new design;

FIG. 2 is a front elevational view thereof;

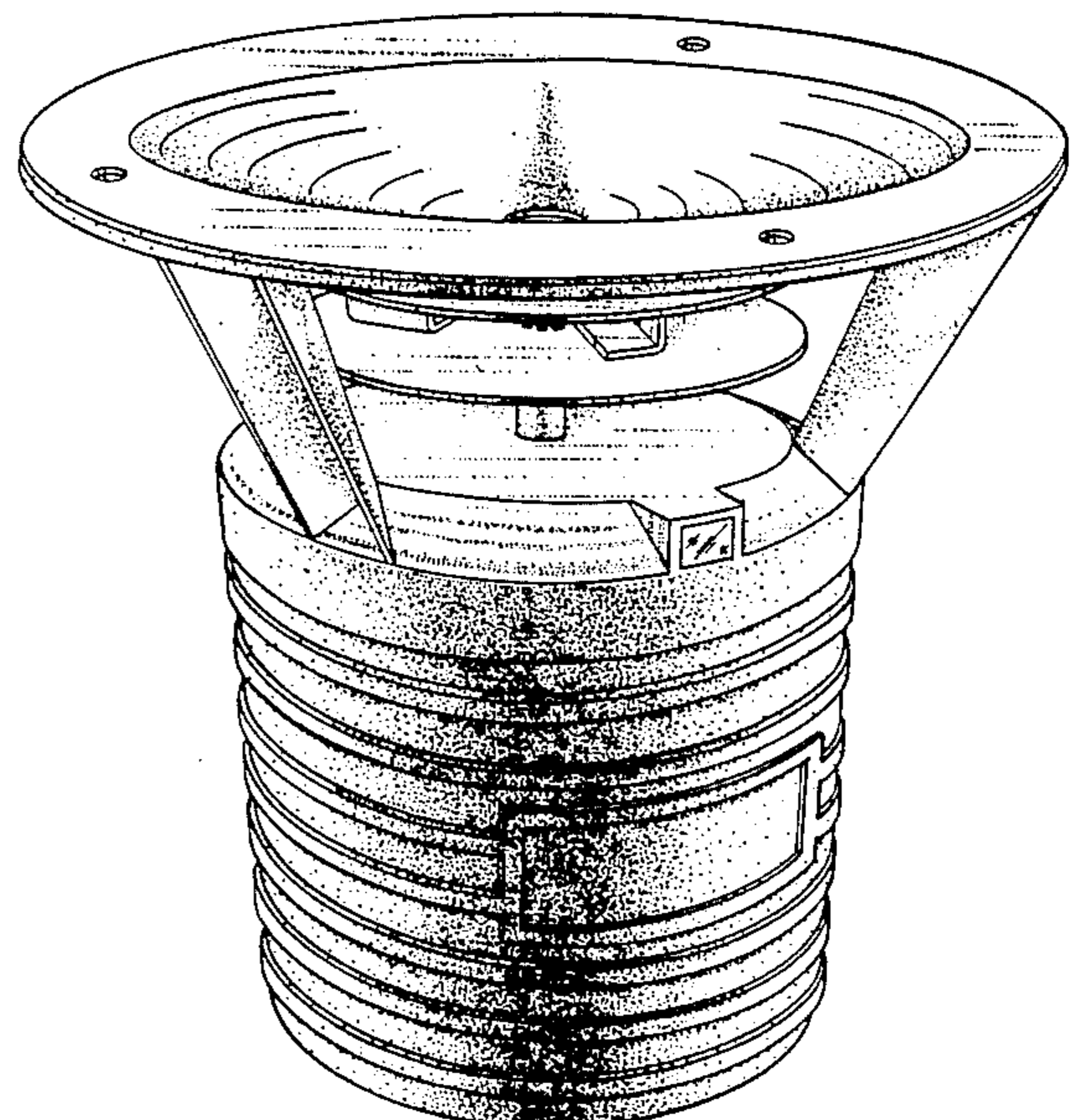
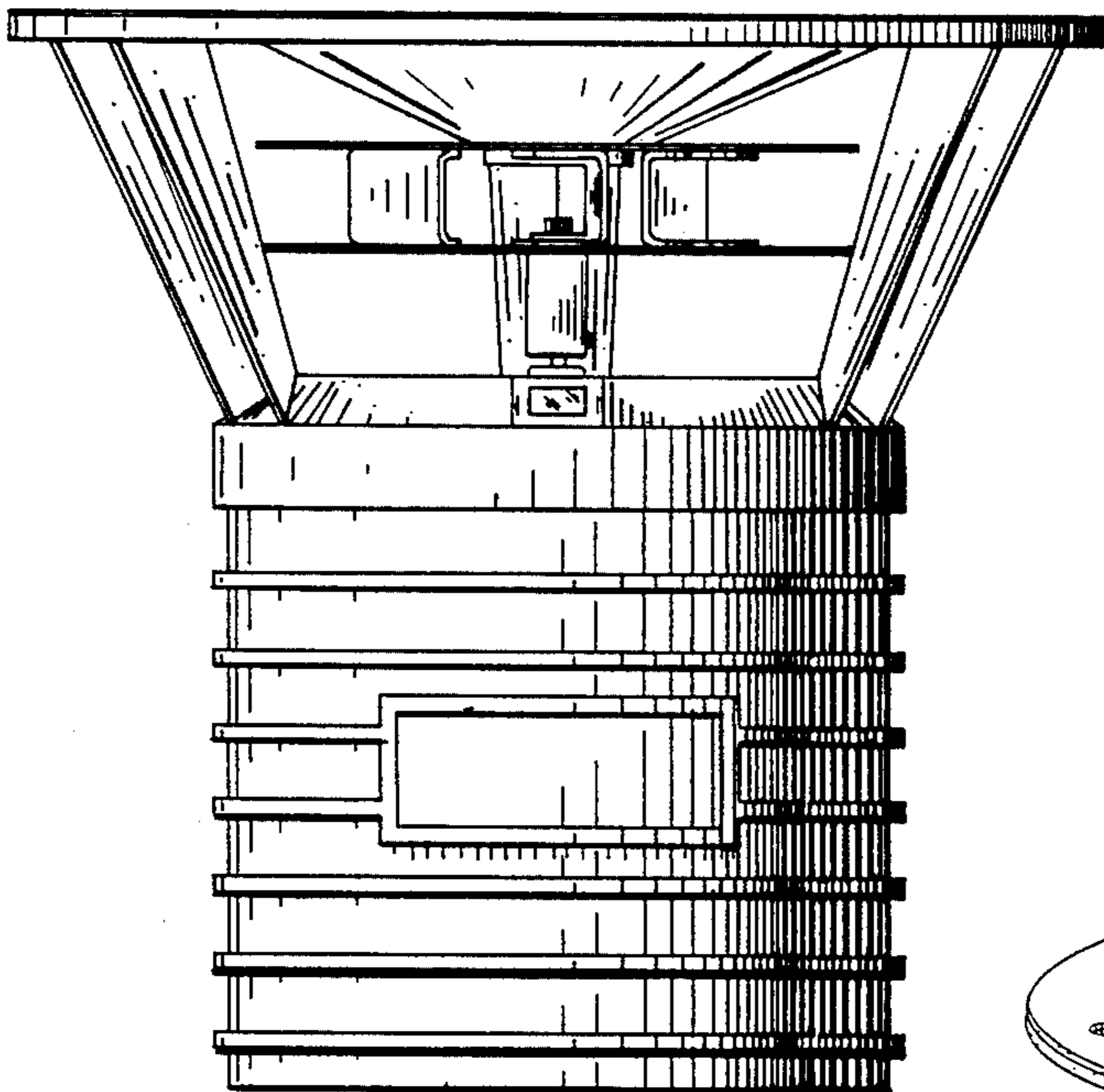
FIG. 3 is a rear elevational view thereof;

FIG. 4 is a bottom plan view thereof;

FIG. 5 is a right side elevational view thereof;

FIG. 6 is a left side elevational view thereof; and

FIG. 7 is a top, front perspective view thereof.



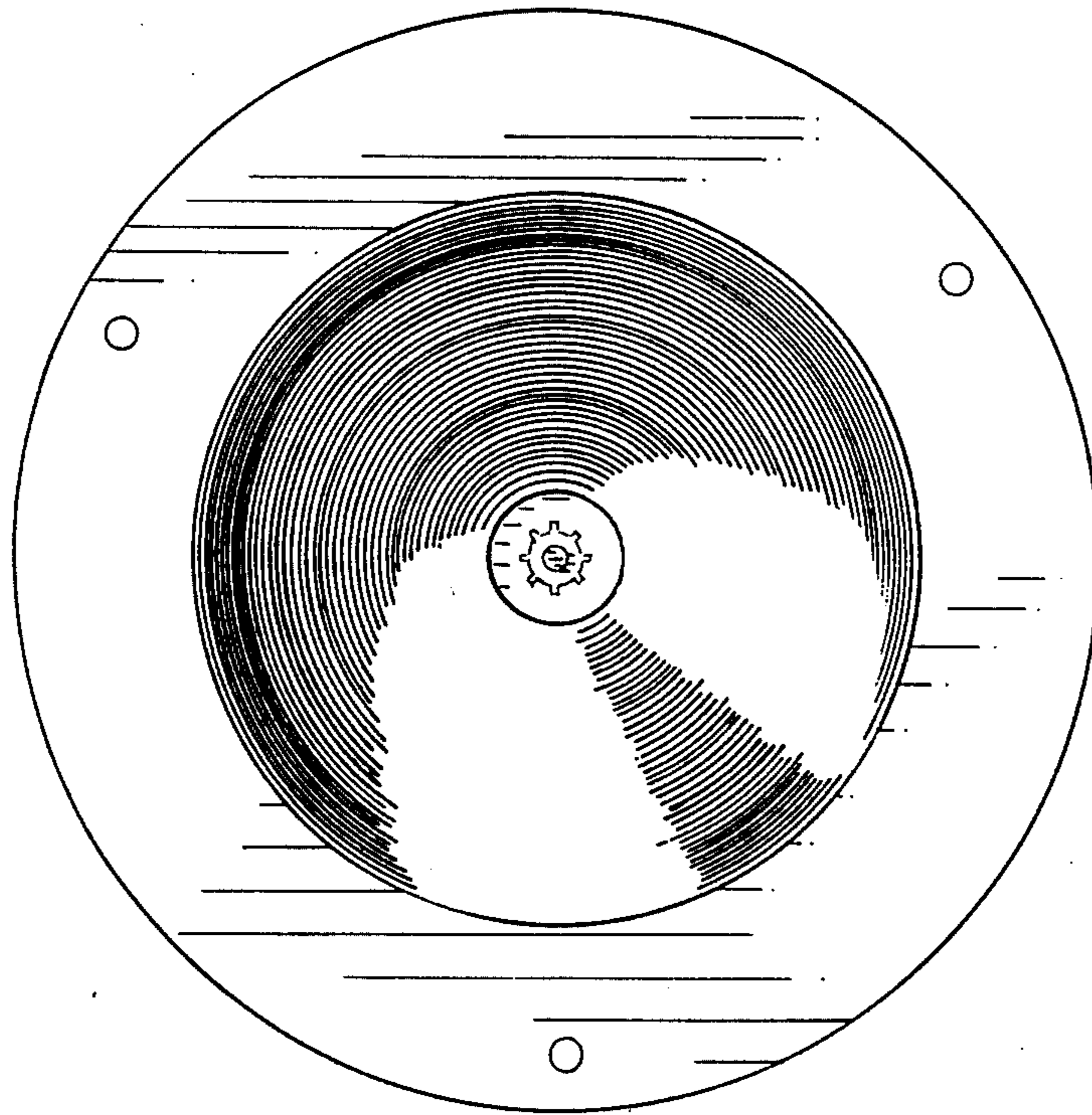


FIG. 1

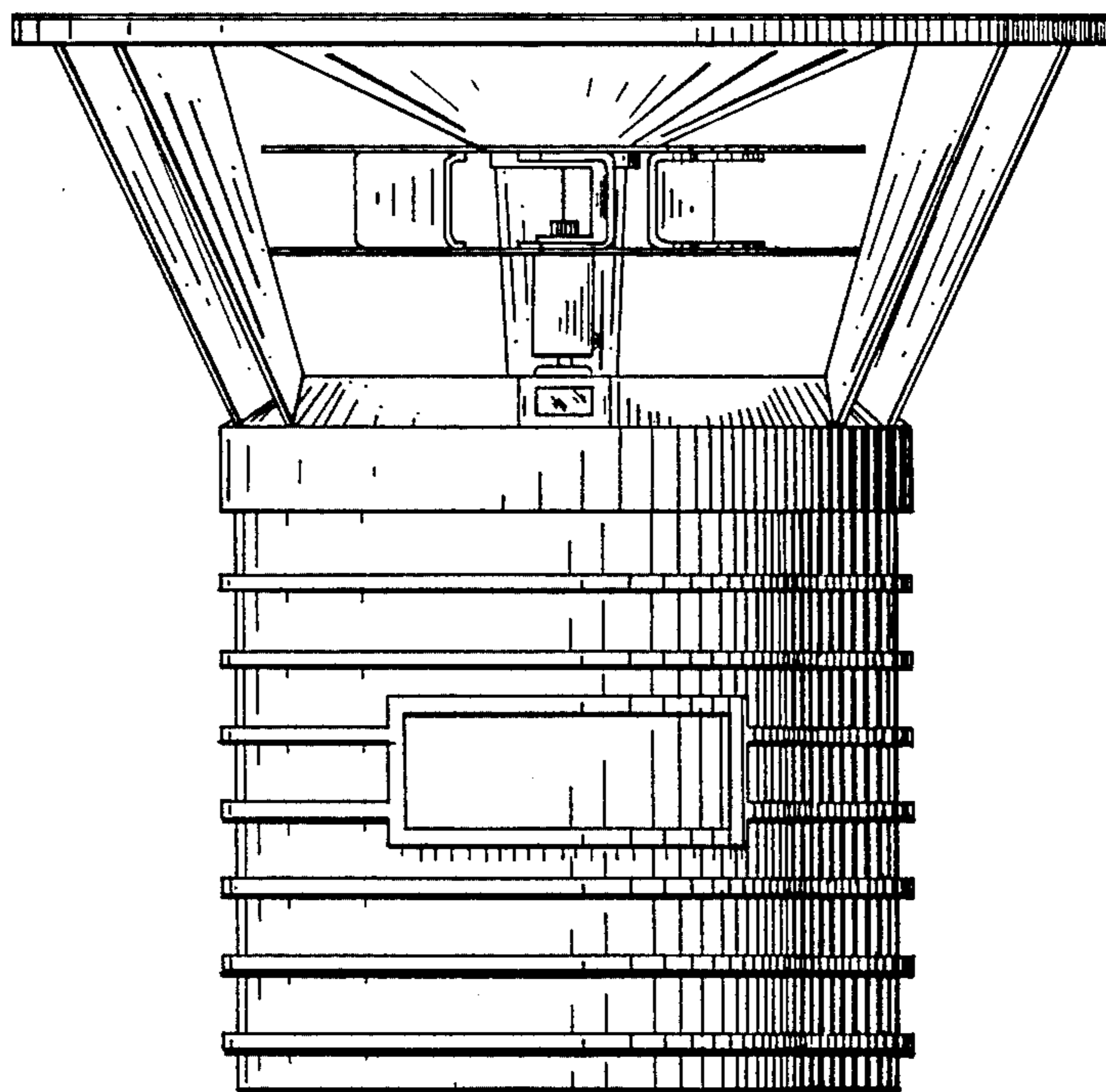


FIG. 2

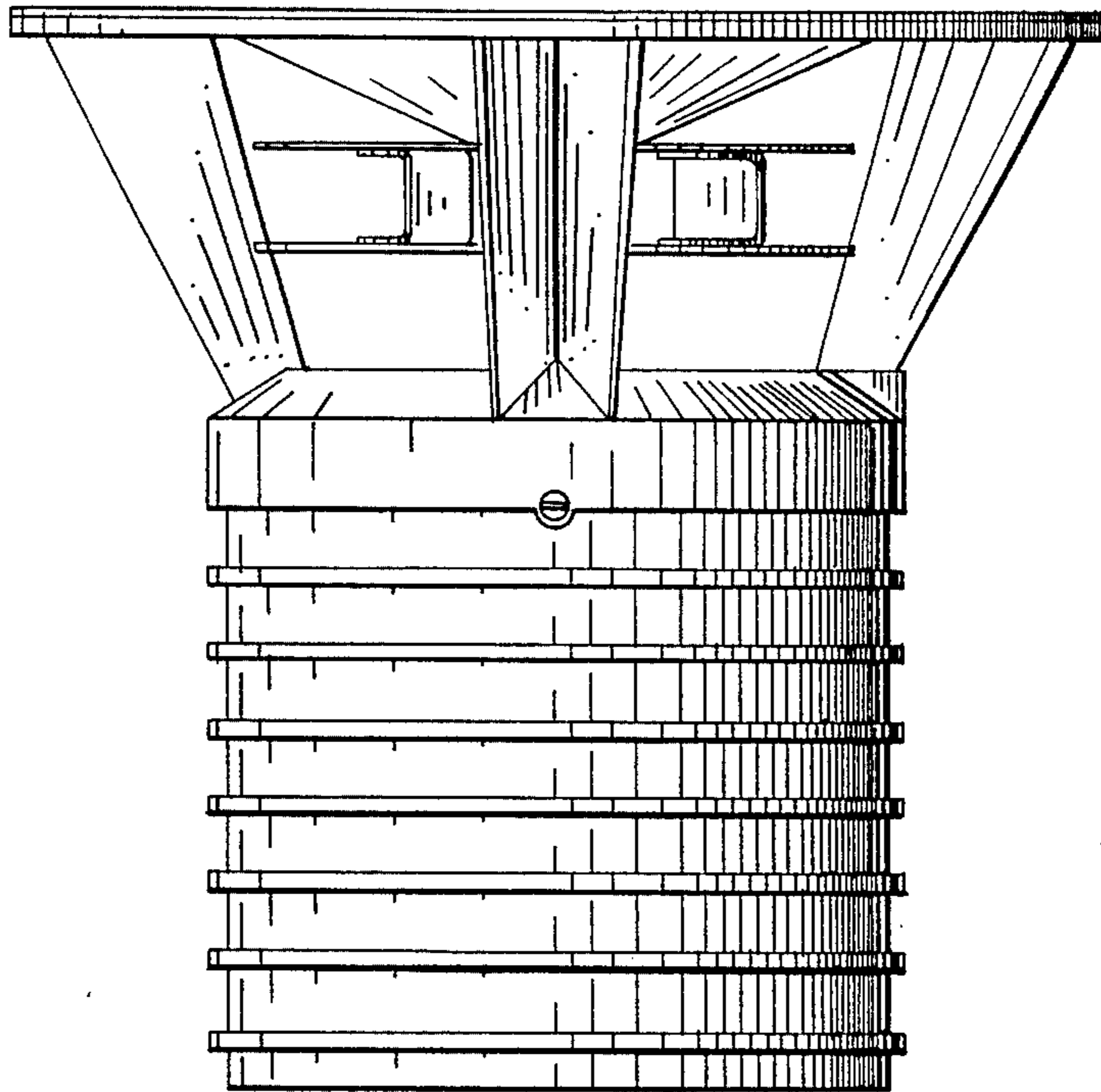


FIG. 3

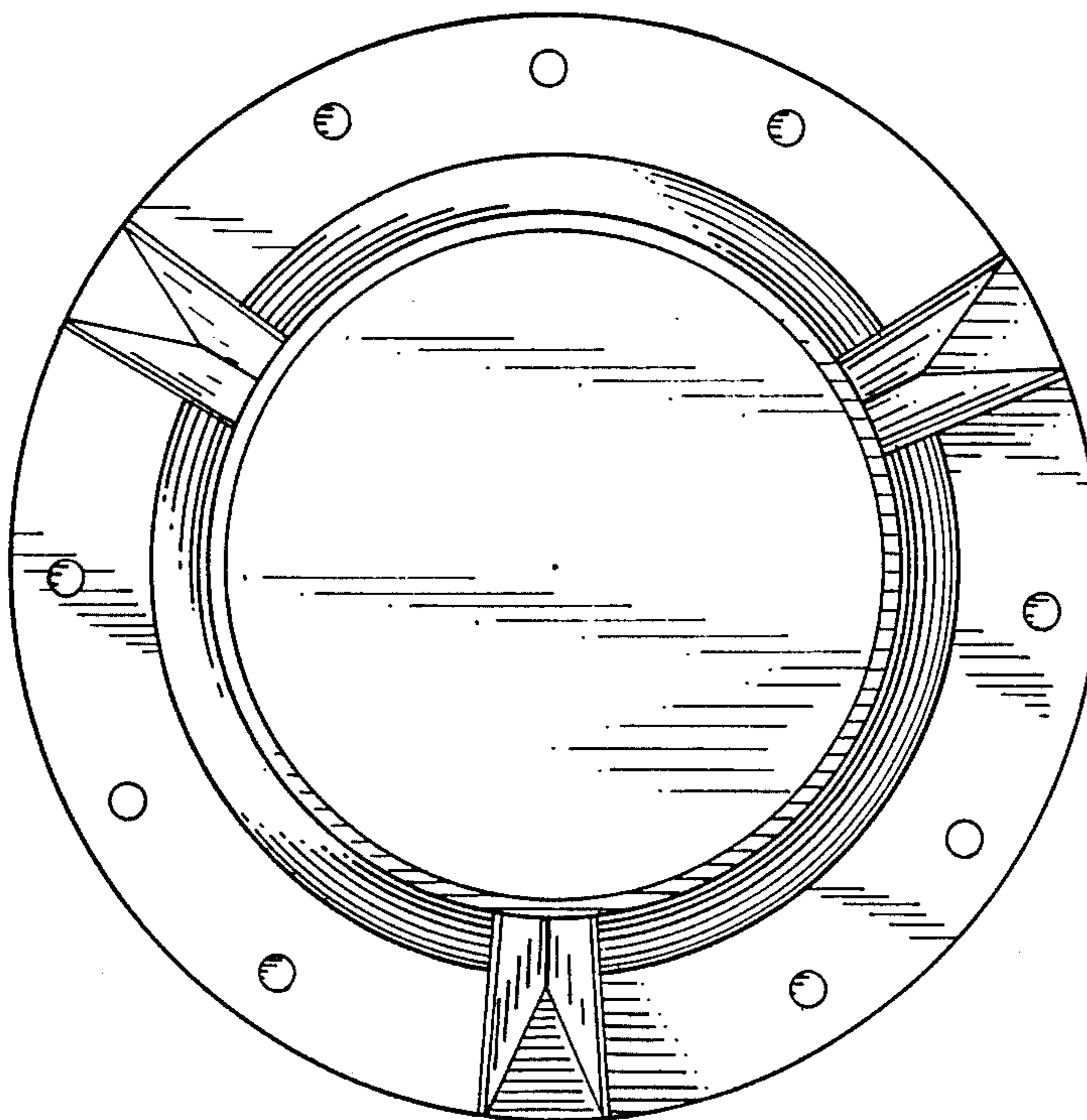


FIG. 4

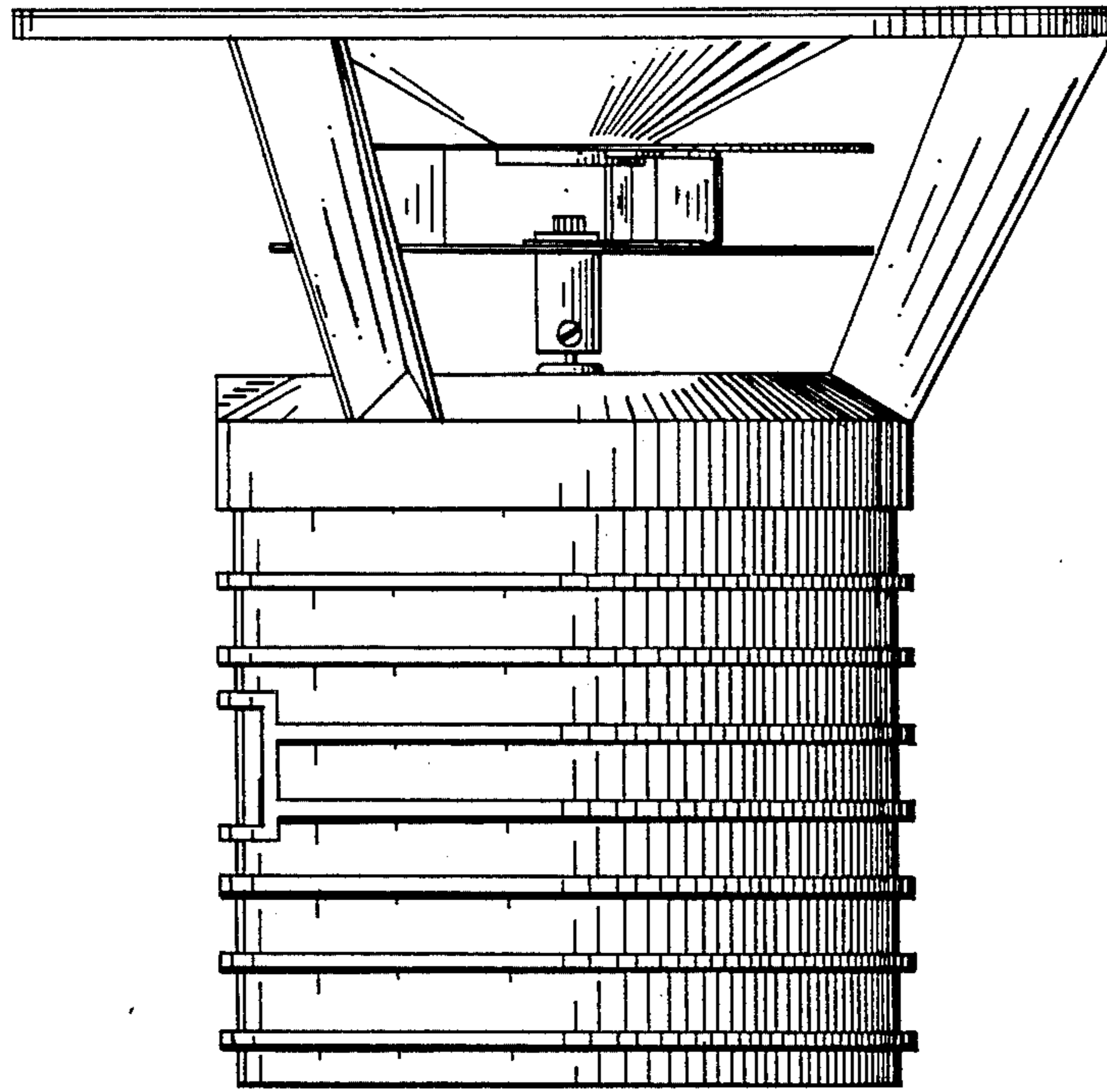


FIG. 5

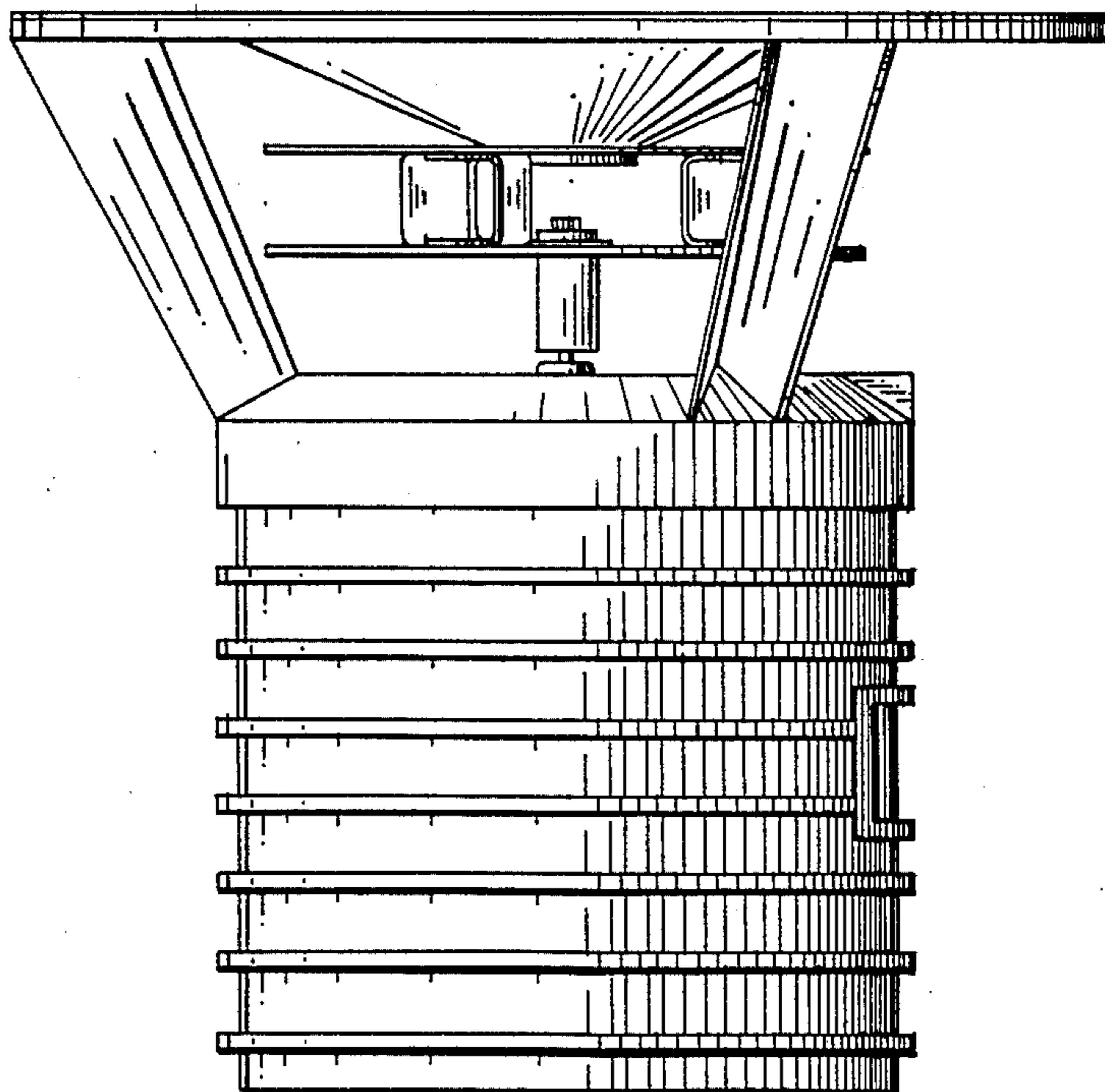


FIG. 6

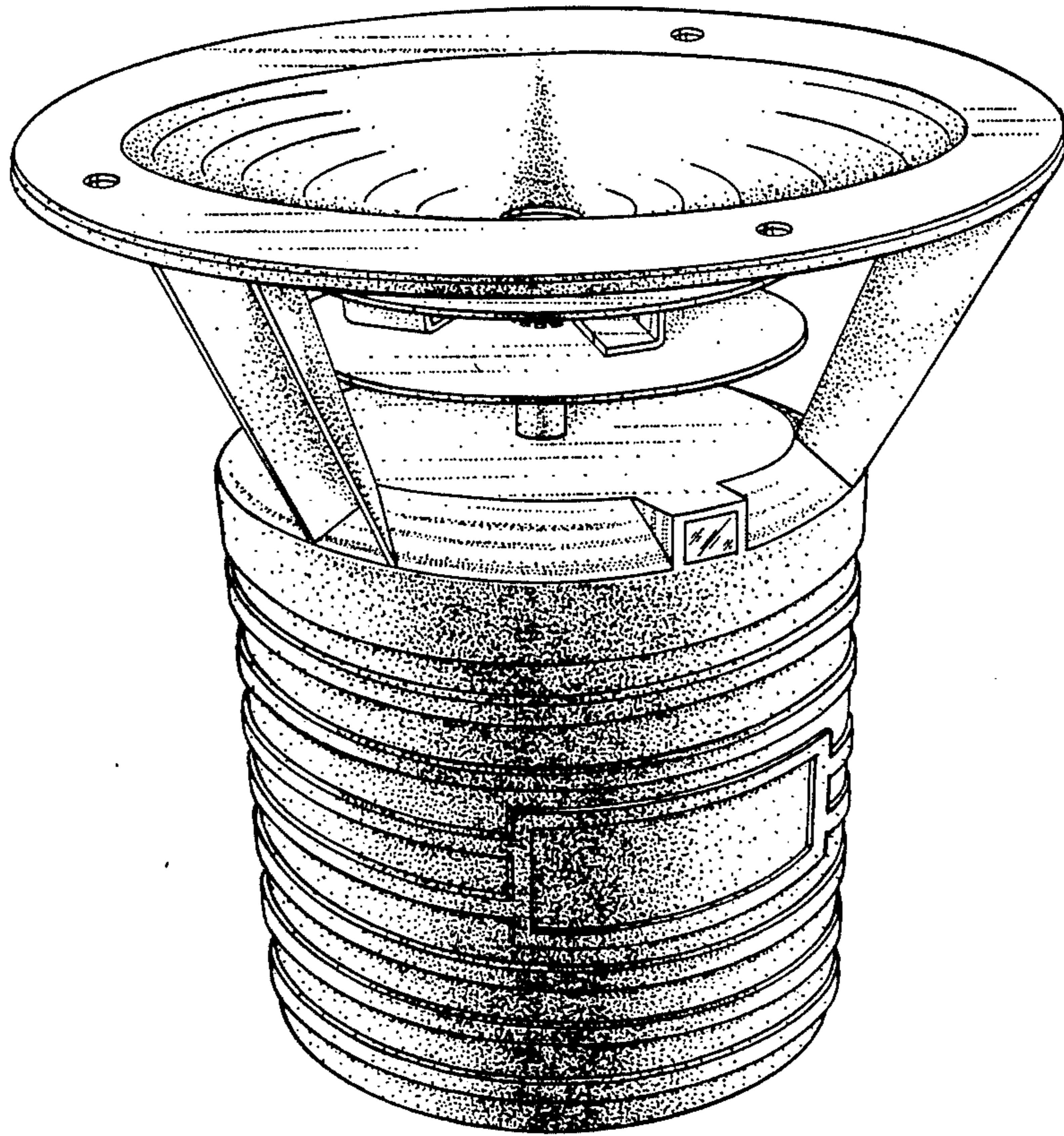


FIG. 7