

[54] SAFETY RAZOR HANDLE

[75] Inventors: Clemens A. Iten, Fishersville, Va.;
John N. McGarvey, Drexel Hill, Pa.;
Alvin R. Tilley, Redbank, N.J.

[73] Assignee: American Safety Razor Company,
Verona, Va.

[**] Term: 14 Years

[21] Appl. No.: 227,746

[22] Filed: Aug. 3, 1988

[52] U.S. Cl. D28/48

[58] Field of Search D28/45, 46, 47, 48;
30/32, 85, 86, 48, 50

[56] References Cited

U.S. PATENT DOCUMENTS

D. 216,658	2/1970	Edmondson	D28/46
D. 228,318	9/1973	Glaberson	D28/46
D. 259,065	4/1981	Byrne	D28/46
2,871,560	2/1959	Eberbaugh	30/32
4,275,498	6/1981	Ciaffone	30/50

FOREIGN PATENT DOCUMENTS

568826 11/1975 Switzerland 30/47

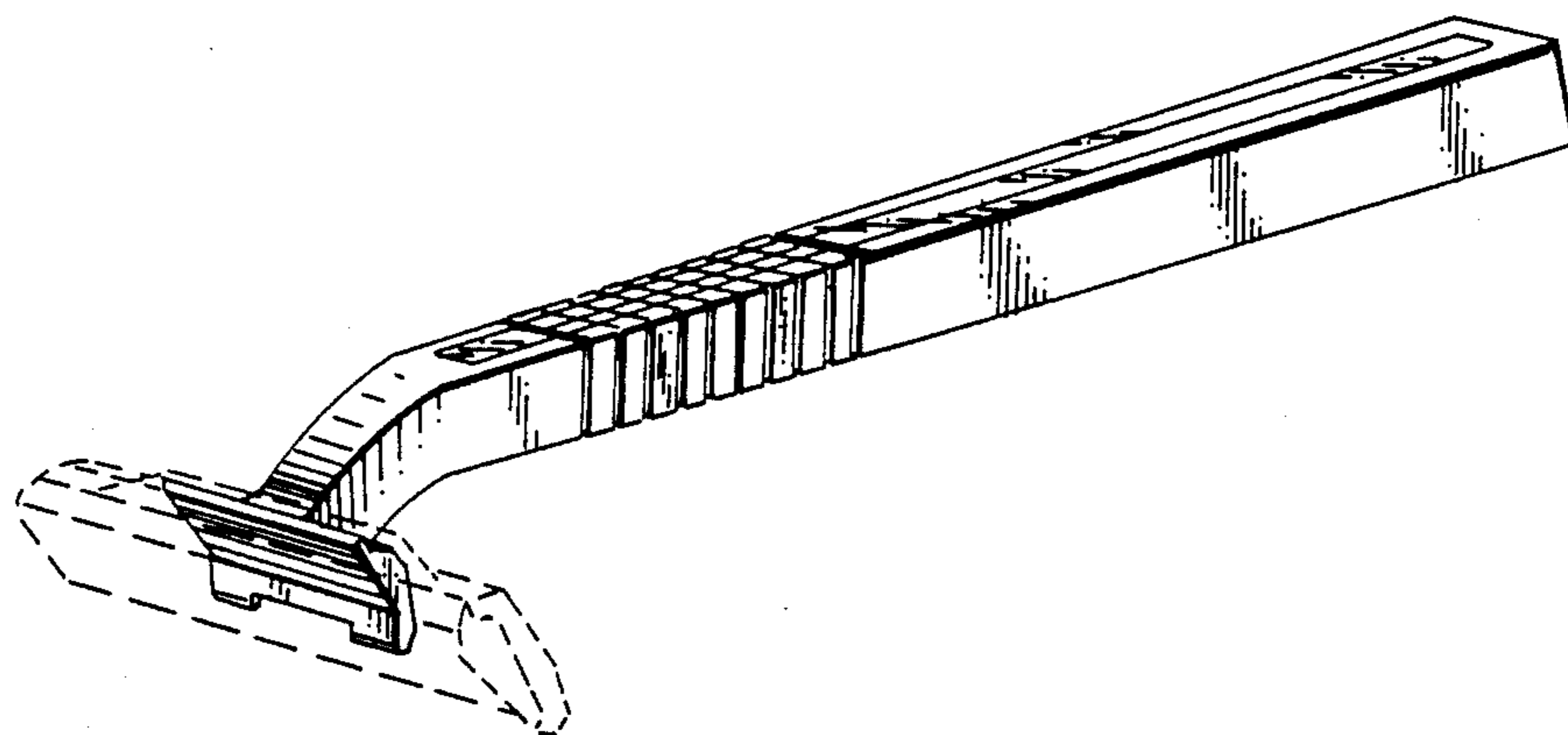
Primary Examiner—Charles A. Rademaker
Assistant Examiner—David Jeo
Attorney, Agent, or Firm—Nixon & Vanderhye

[57] CLAIM

The ornamental design for a safety razor handle, as shown and described.

DESCRIPTION

FIG. 1 is a top front perspective view of a safety razor handle showing our new design;
FIG. 2 is an enlarged top plan view thereof;
FIG. 3 is a right side elevational view thereof, the left side being a mirror image;
FIG. 4 is a bottom plan view thereof;
FIG. 5 is a further enlarged front elevational view thereof; and
FIG. 6 is a rear elevational view thereof.
The broken line showing of disposable cartridge in FIG. 1 is for illustrative purposes only and forms no part of the claimed design.



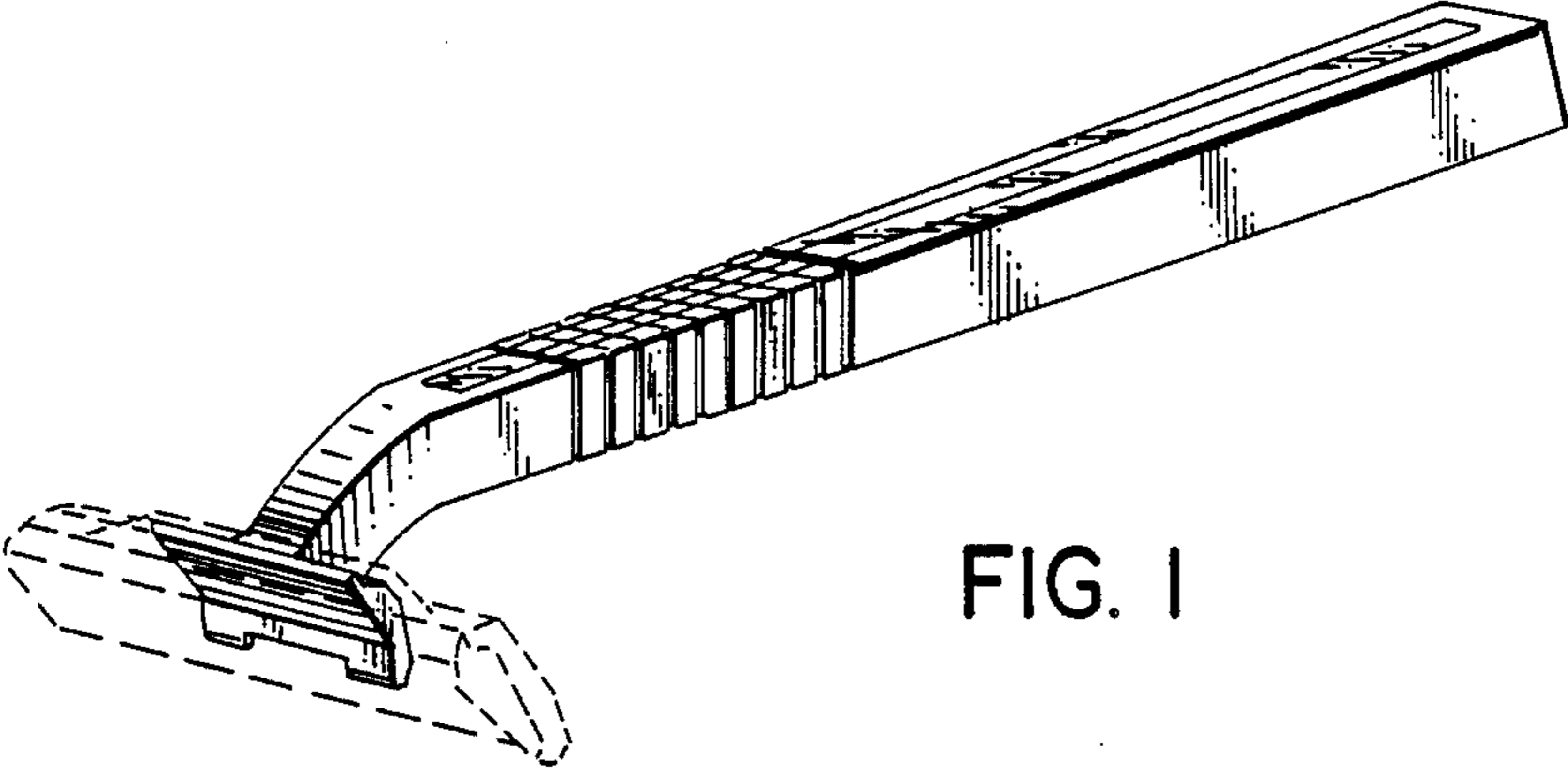


FIG. 1

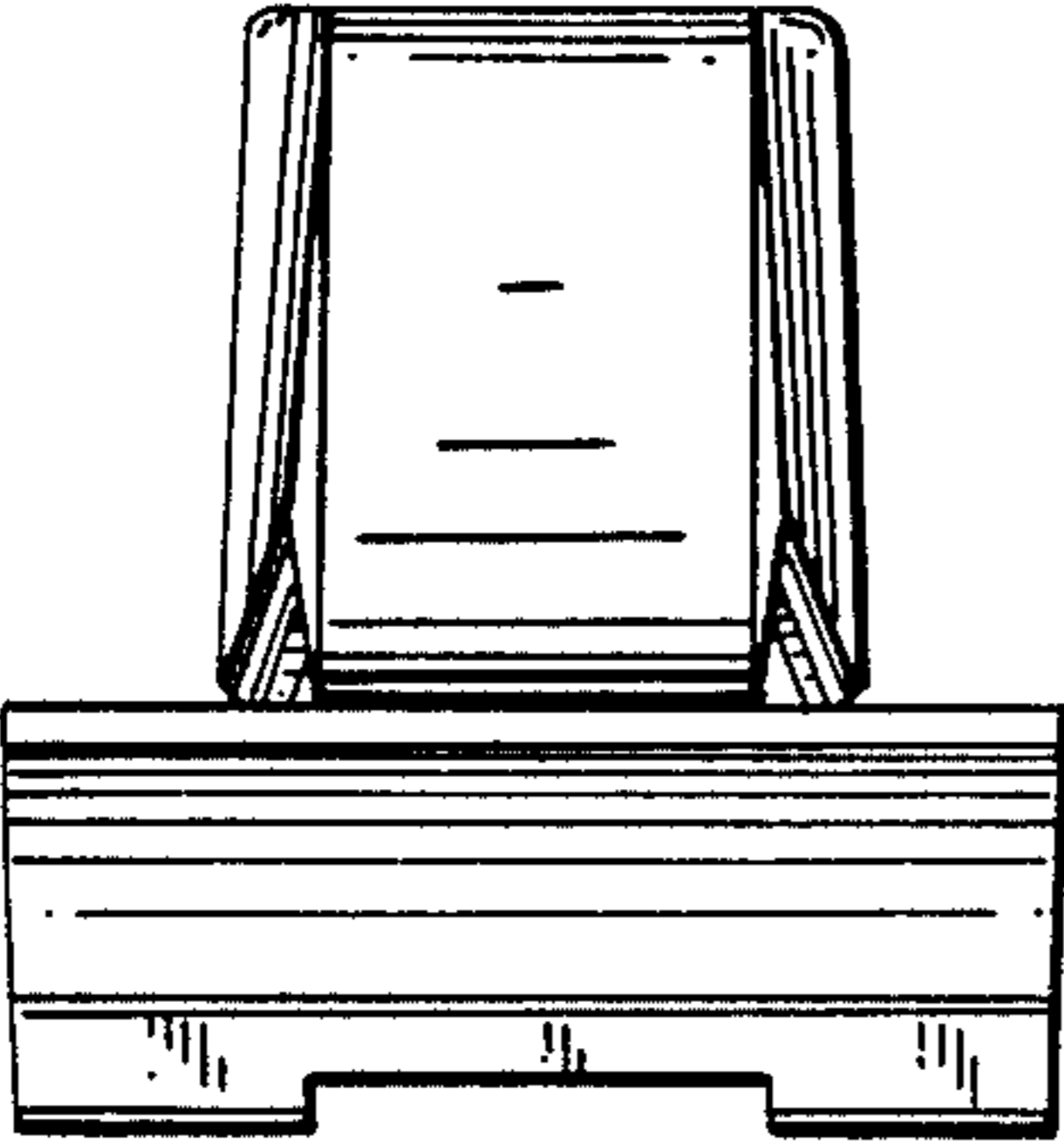


FIG. 5

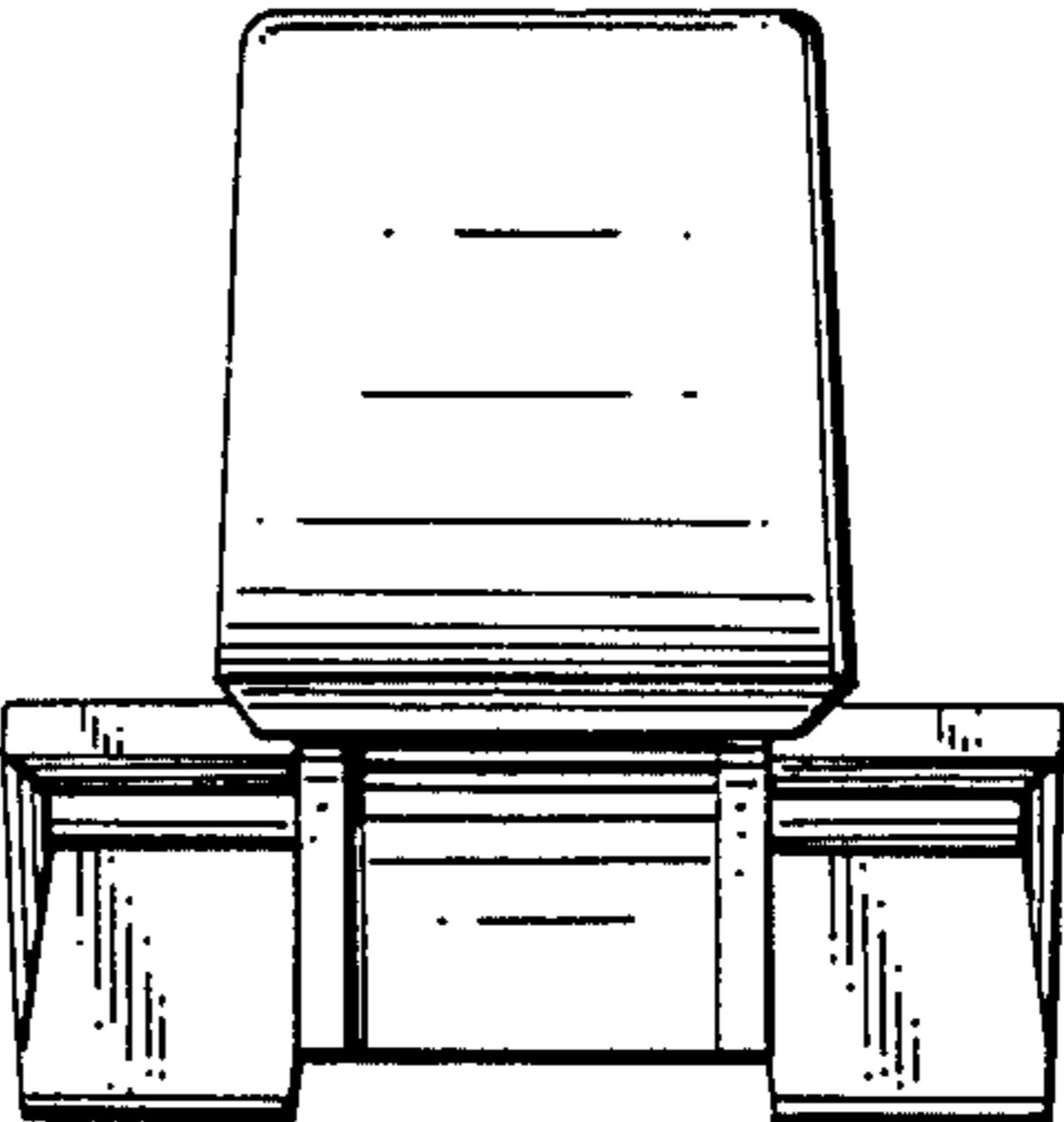


FIG. 6

FIG. 2

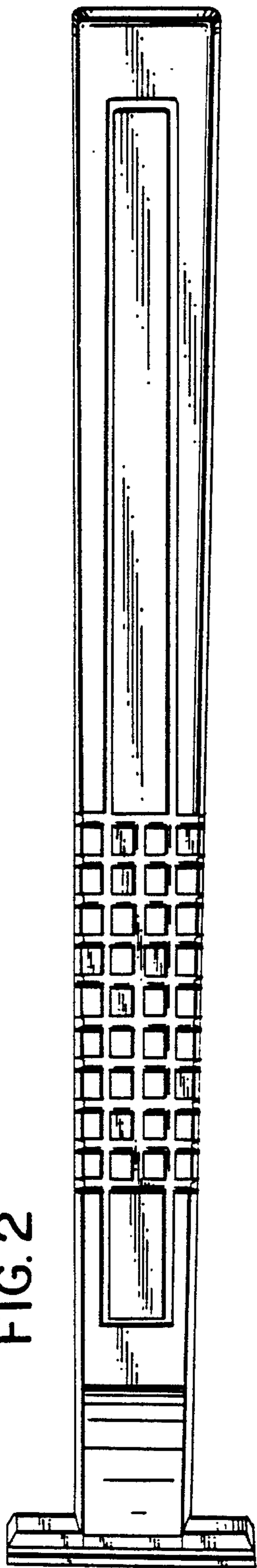


FIG. 3

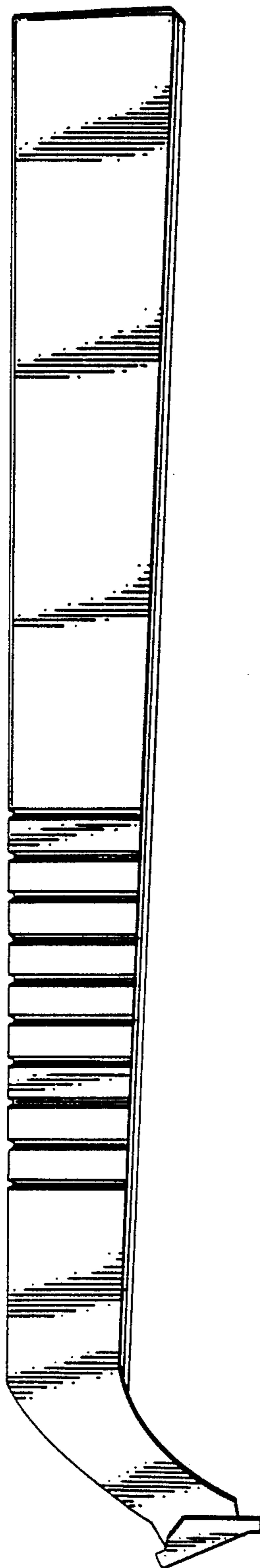


FIG. 4

