

[54] **SOLAR POWERED OUTDOOR LIGHT**

[76] **Inventor:** Tseng L. Chien, Suite 8-6, No. 9,  
San-Min Rd., Taipei, Taiwan

[\*\*] **Term:** 14 Years

[21] **Appl. No.:** 281,005

[22] **Filed:** Dec. 7, 1988

[52] **U.S. Cl.** ..... D26/67

[58] **Field of Search** ..... D26/67-71,  
D26/72, 80-92; 362/183, 431, 432, 410, 414,  
147, 362, 267; 136/291

[56] **References Cited**

**U.S. PATENT DOCUMENTS**

D. 199,802	12/1964	Turner et al. ....	D26/97
D. 210,239	2/1968	Bobrick .....	D26/68
D. 211,279	6/1968	Layton .....	D26/67
4,441,143	4/1984	Richardson, Jr. ....	362/183
4,486,820	12/1984	Baba et al. ....	362/431 X

**OTHER PUBLICATIONS**

Home Lighting & Accessories, 3-1985, p. 38, Solar  
Powered Exterior Lighting Fixture.

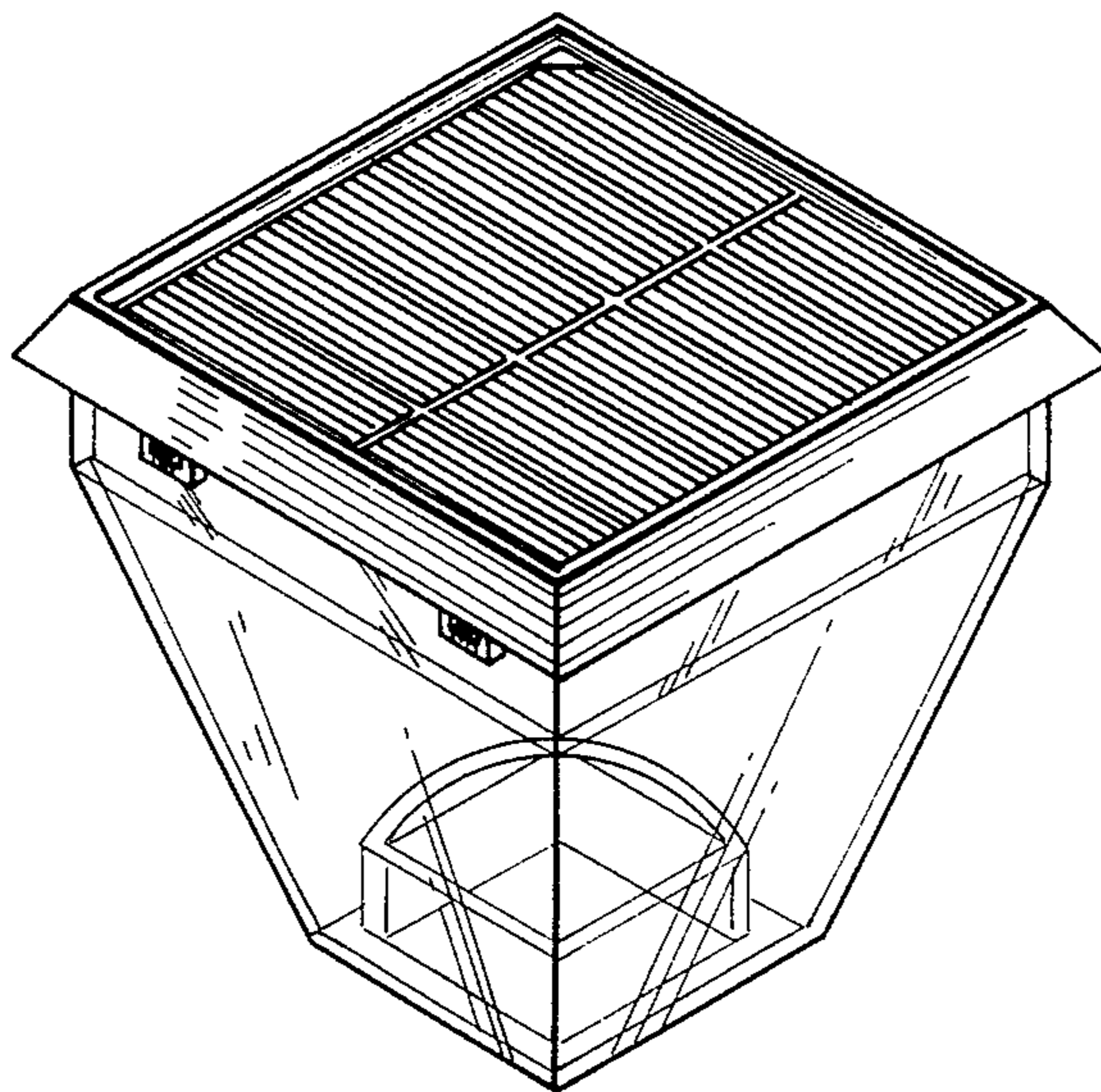
*Primary Examiner*—Susan J. Lucas  
*Attorney, Agent, or Firm*—Bacon & Thomas

[57] **CLAIM**

The ornamental design for a solar powered outdoor  
light, as shown and described.

**DESCRIPTION**

FIG. 1 is a top, front perspective view of a solar pow-  
ered outdoor light showing my new design;  
FIG. 2 is a left side elevation view thereof, the right side  
being a mirror image;  
FIG. 3 is a front elevational view thereof, the rear being  
a mirror image;  
FIG. 4 is a top plan view thereof;  
FIG. 5 is a bottom plan view thereof; and  
FIG. 6 is a top, front perspective view thereof, the  
support being shown in broken lines for illustrative  
purposes only.



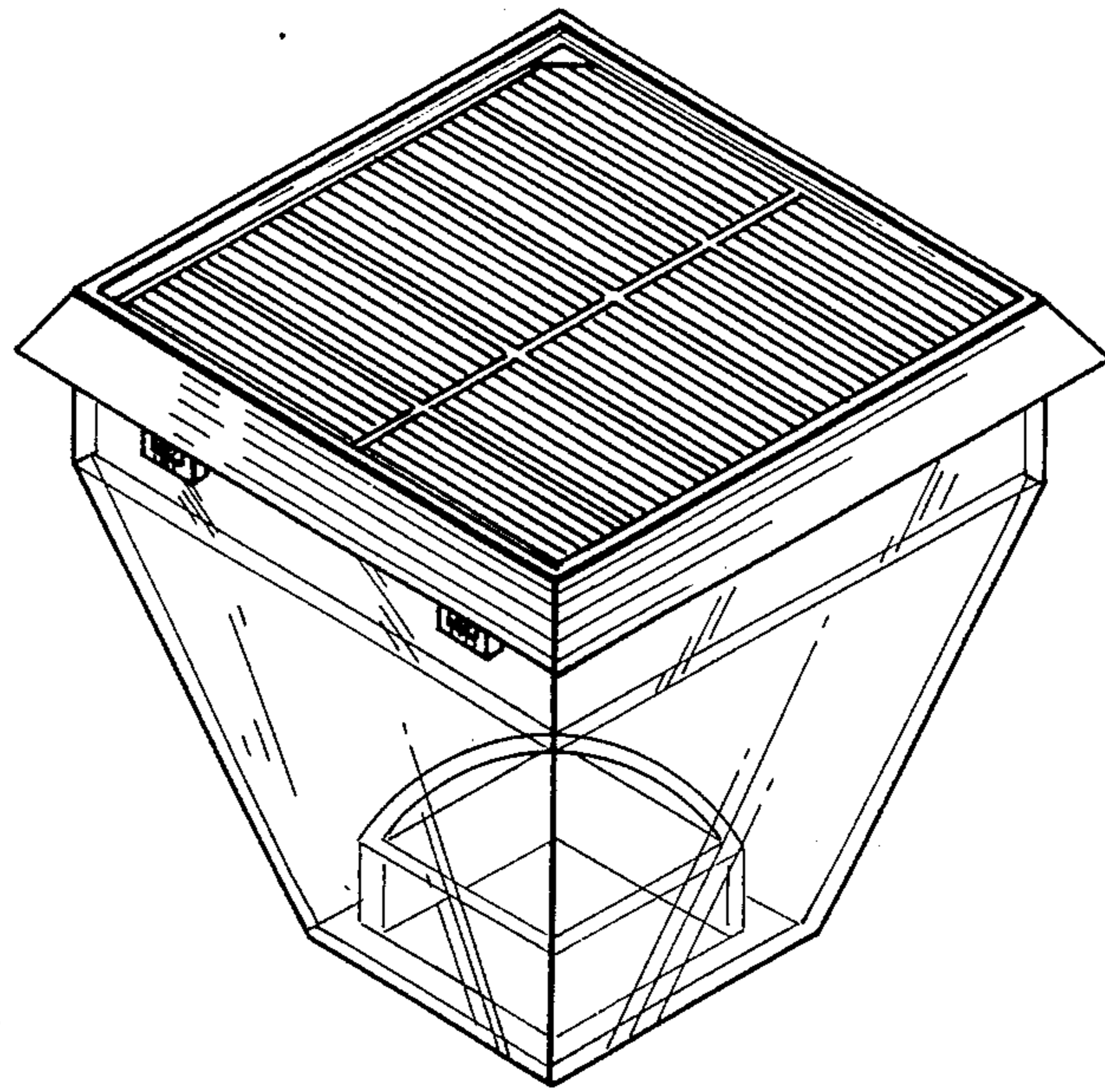


FIG. 1

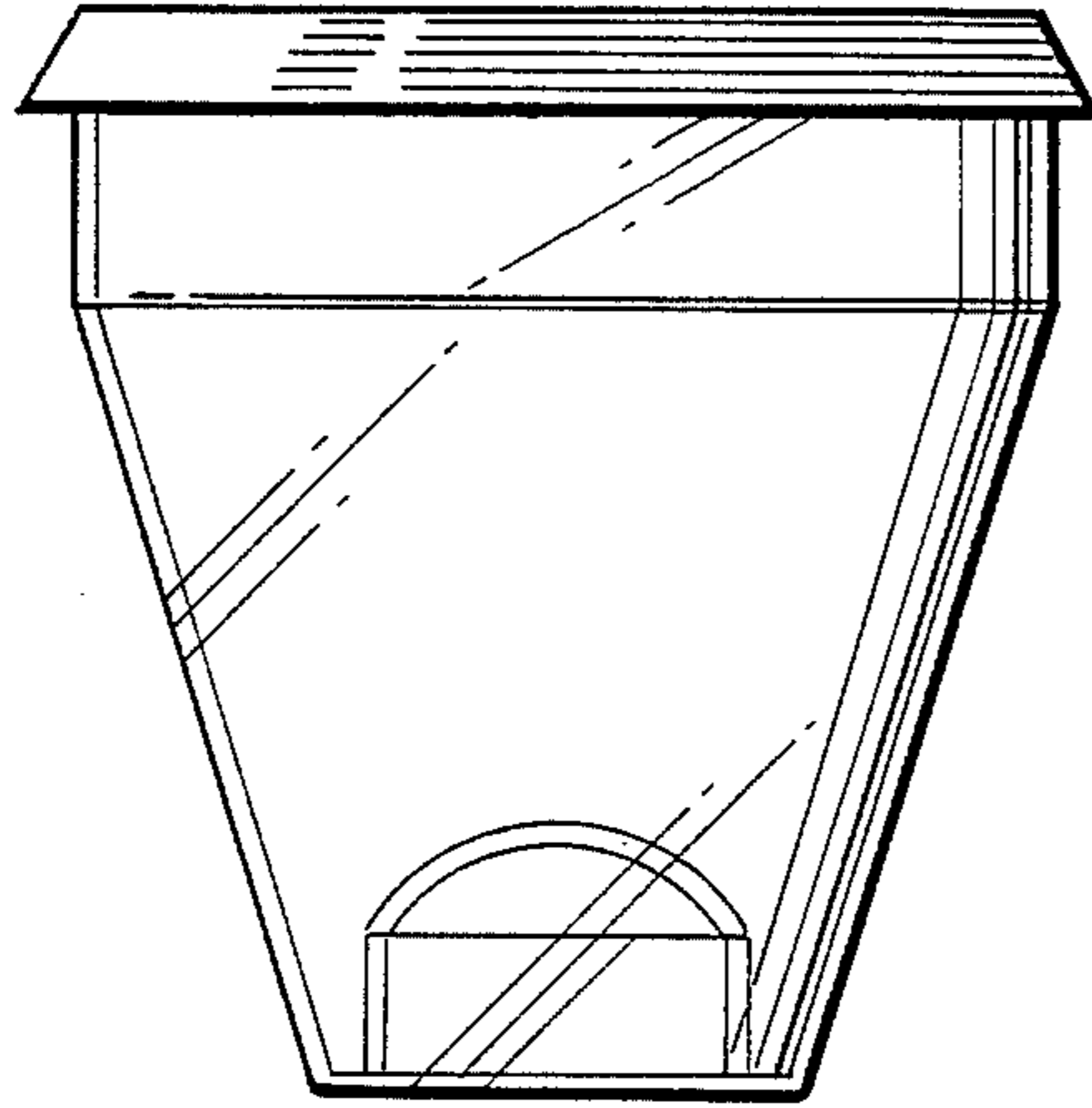


FIG. 2

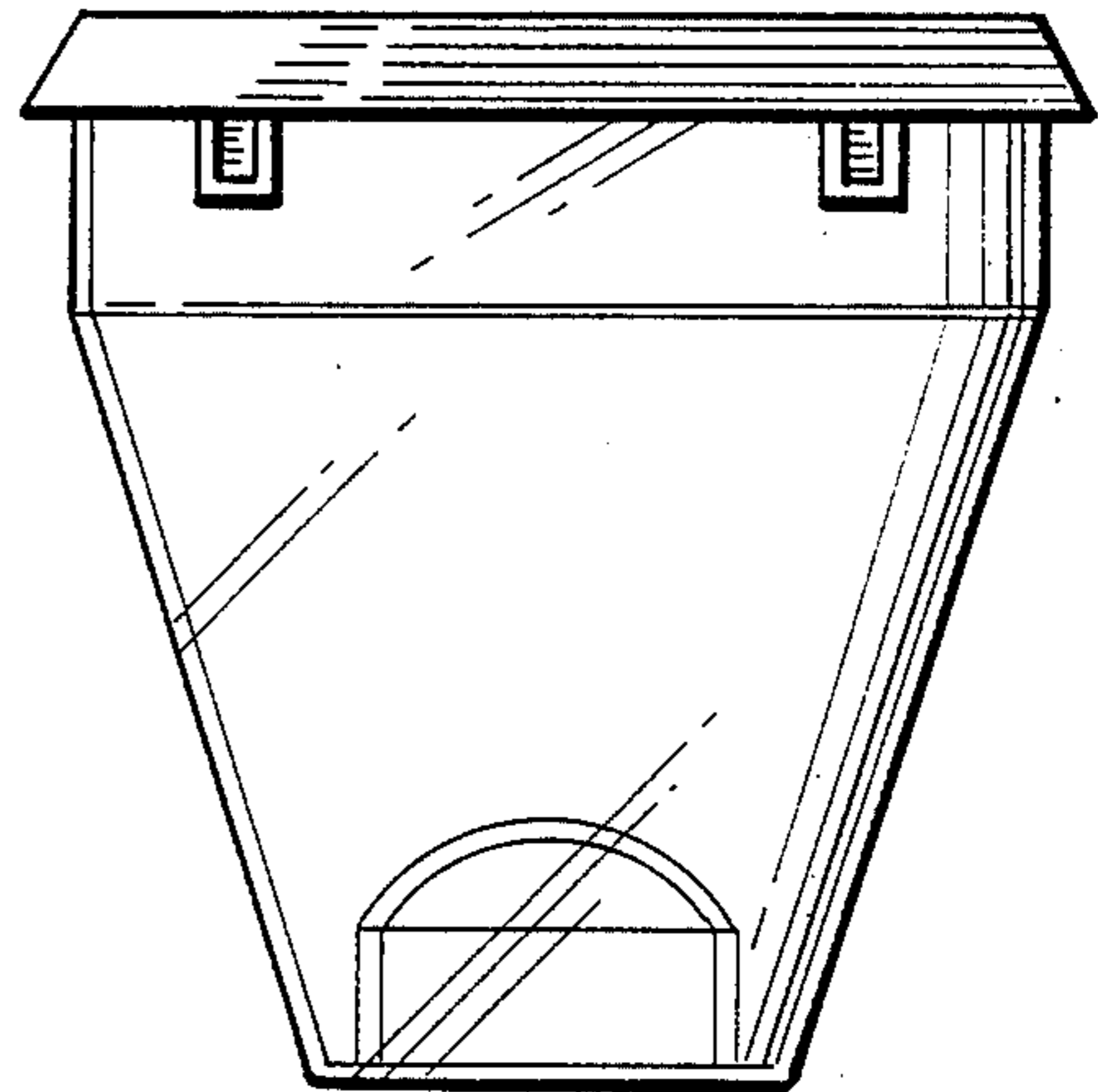


FIG. 3

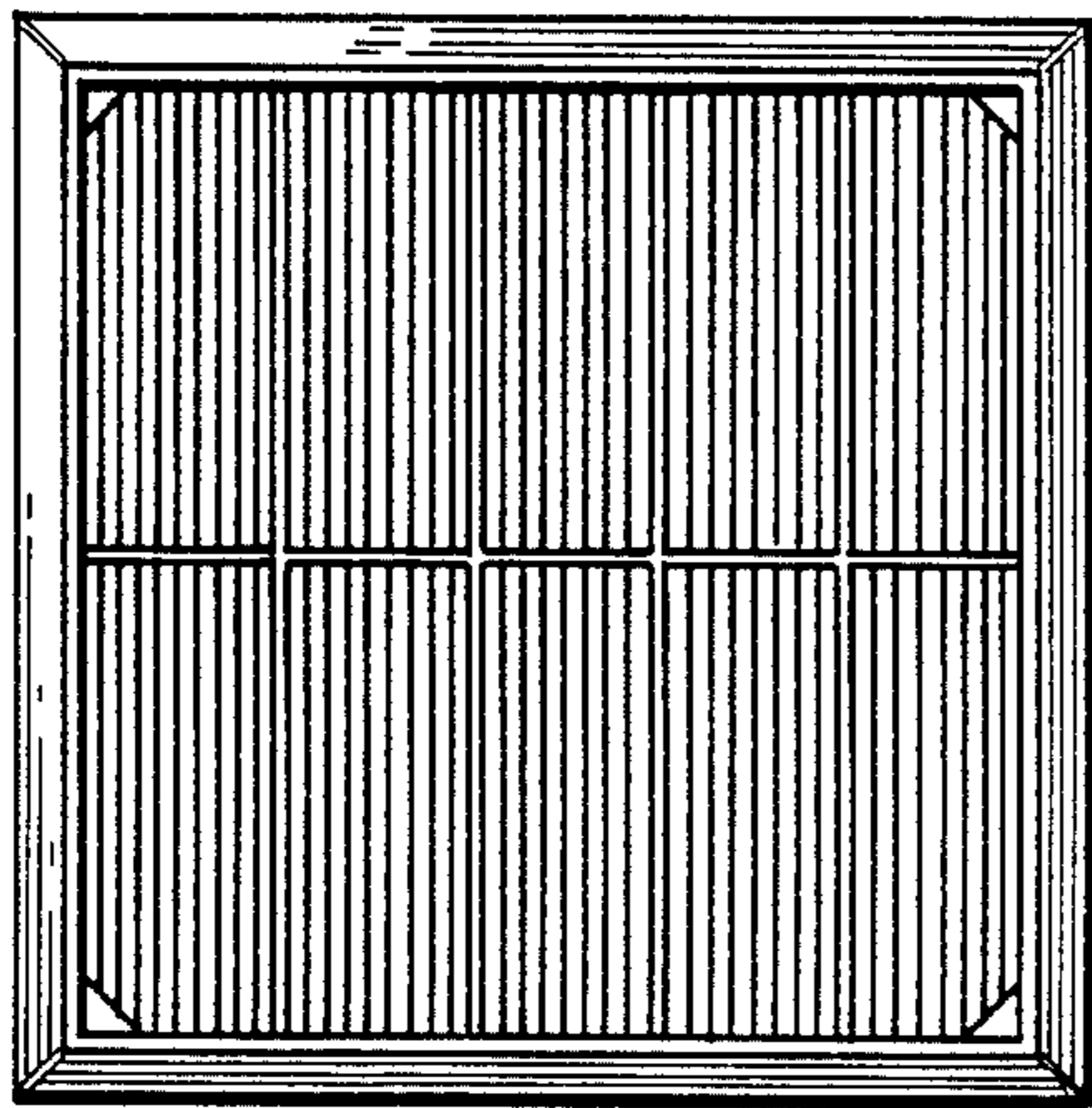


FIG. 4

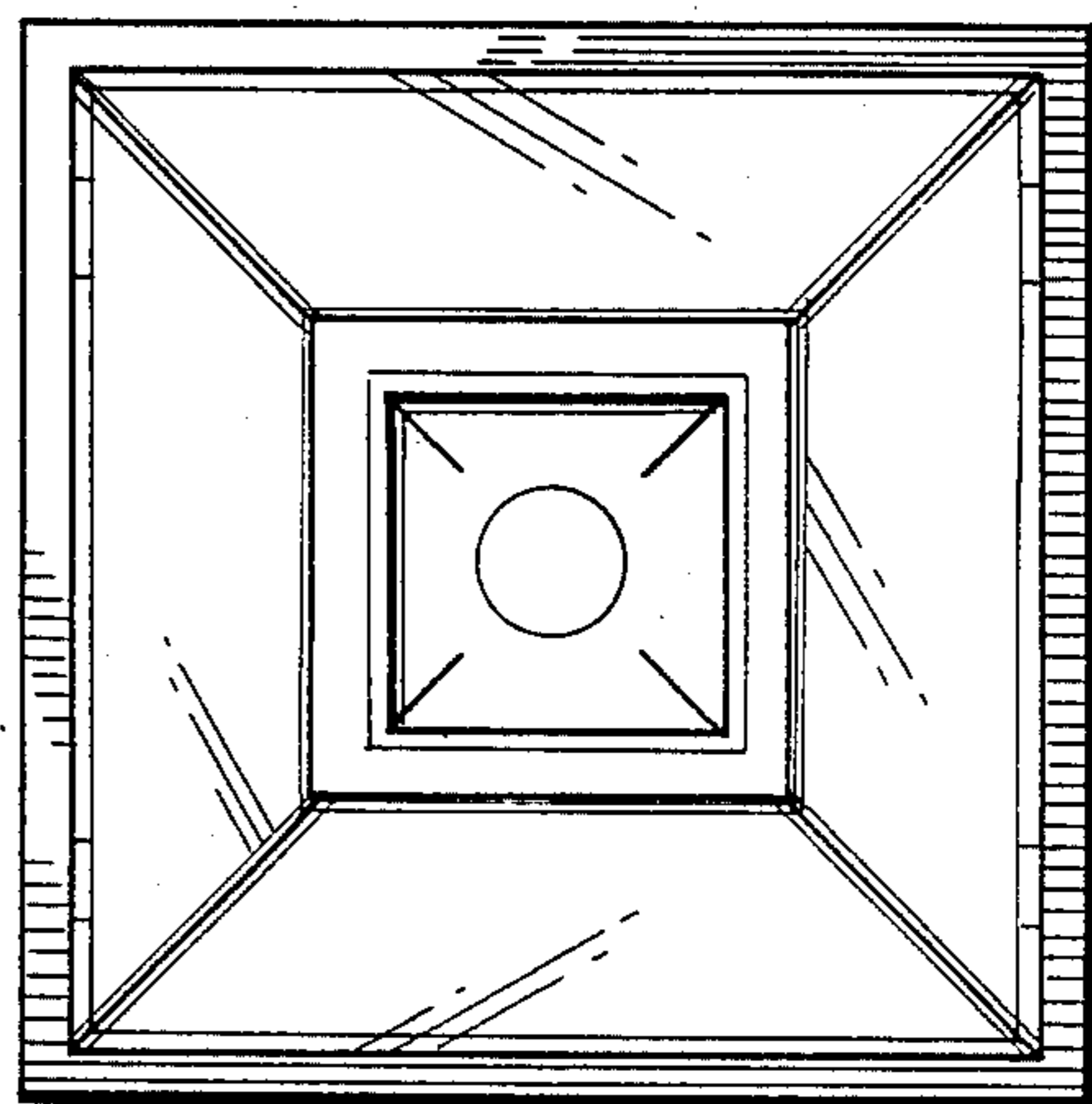


FIG. 5

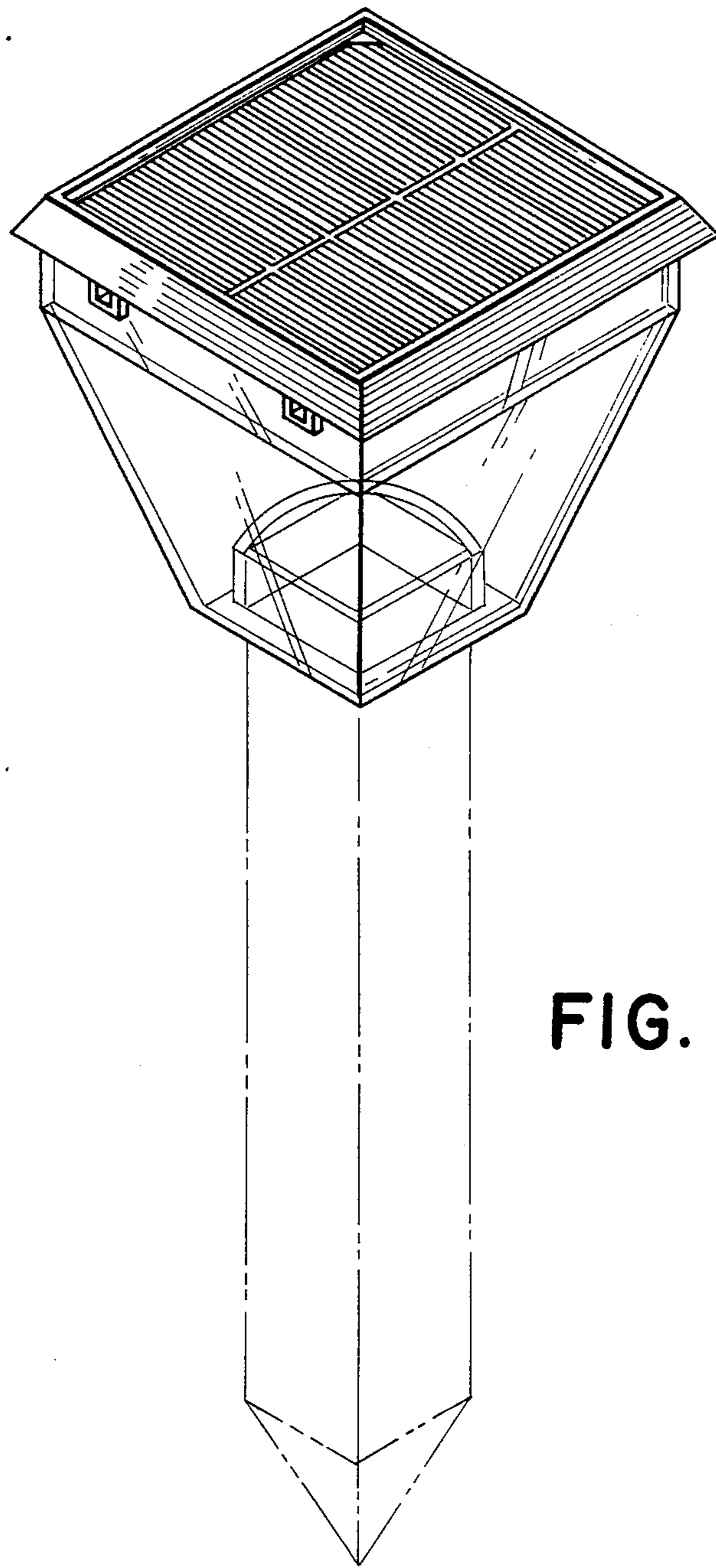


FIG. 6