

[54] **STOREFRONT**

[76] **Inventor:** A. Edward Moore, 215 Grandpre,
L'Arcadie, Quebec, Canada, J0J 1H0

[**] **Term:** 14 Years

[21] **Appl. No.:** 184,166

[22] **Filed:** Apr. 21, 1988

[52] **U.S. Cl.** D25/59; D25/7

[58] **Field of Search** D25/59, 7, 56; 57/234,
57/764, 767, 777; D20/29, 39

[56] **References Cited**

U.S. PATENT DOCUMENTS

D. 230,843 3/1974 Thimens D25/7
D. 262,633 1/1982 Kato D16/209

4,211,043 7/1980 Coday 52/234

Primary Examiner—A. Hugo Word

Assistant Examiner—Doris Clark

Attorney, Agent, or Firm—Banner, Birch, McKie &
Beckett

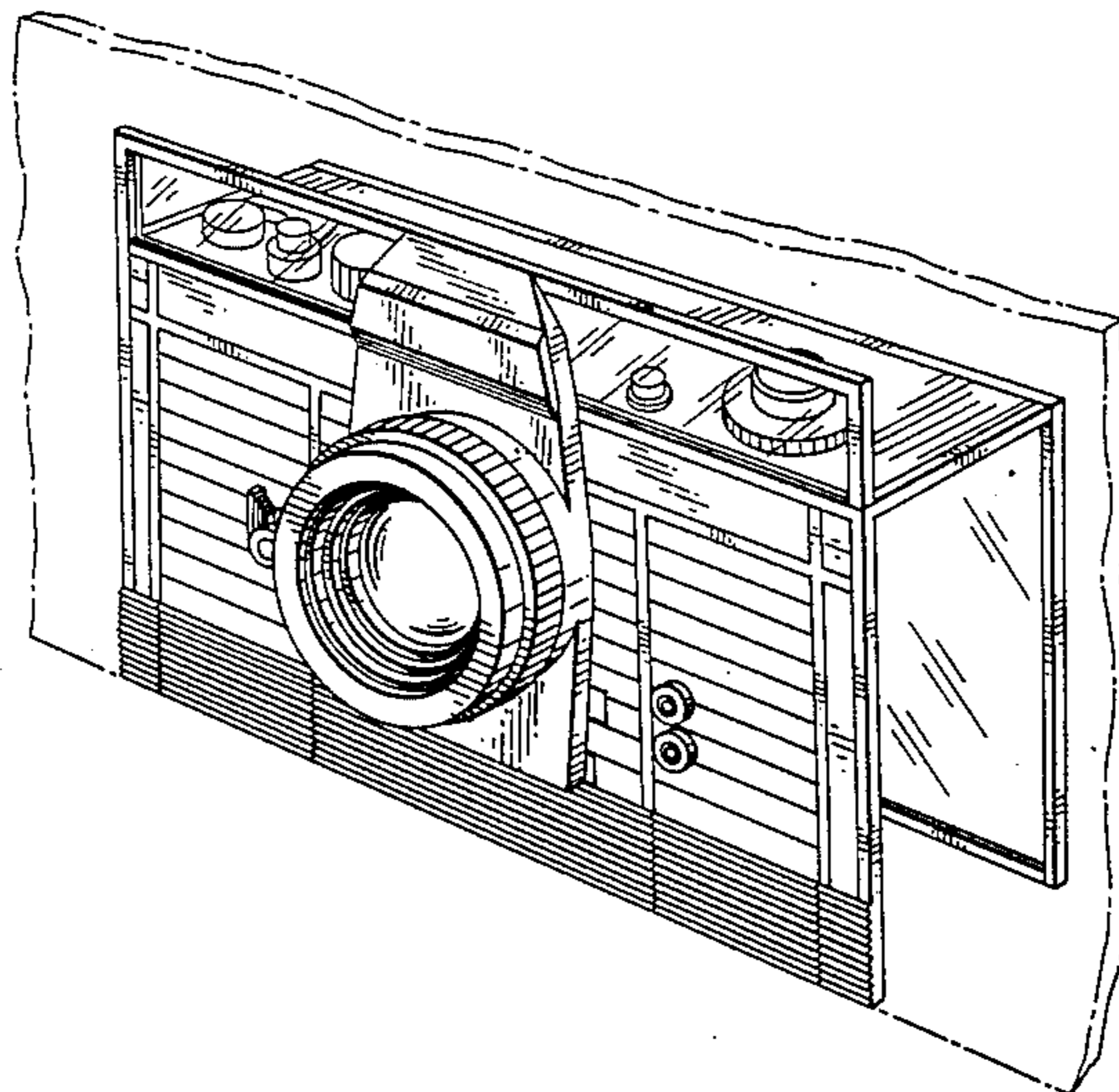
[57] **CLAIM**

The ornamental design for a storefront, as shown and described.

DESCRIPTION

FIG. 1 is a front perspective view of a storefront showing my new design, the broken lines shown in phantom are for illustrative purposes only and forms no part of the claimed design;

FIG. 2 is a rear perspective view thereof.



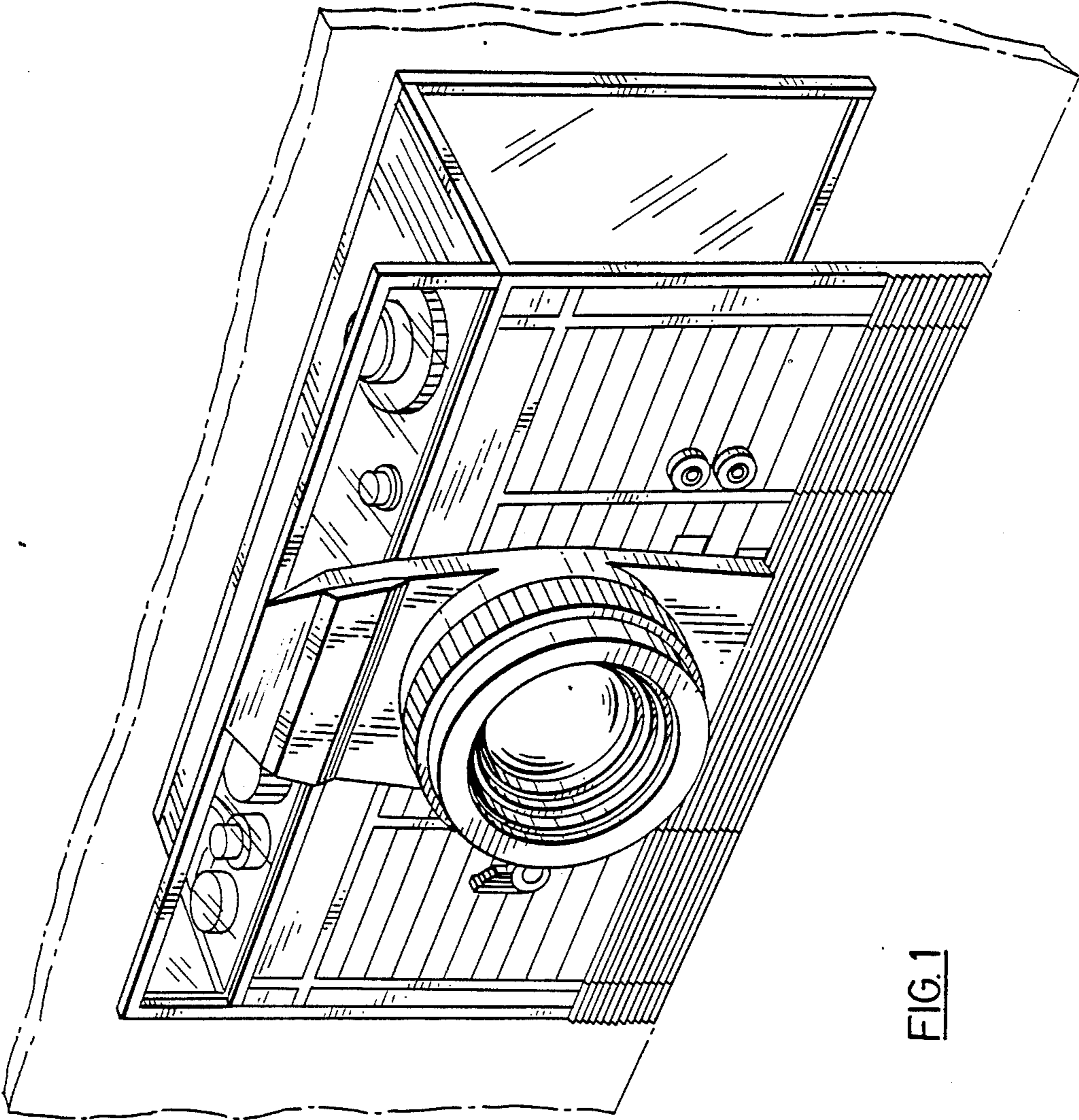


FIG. 1

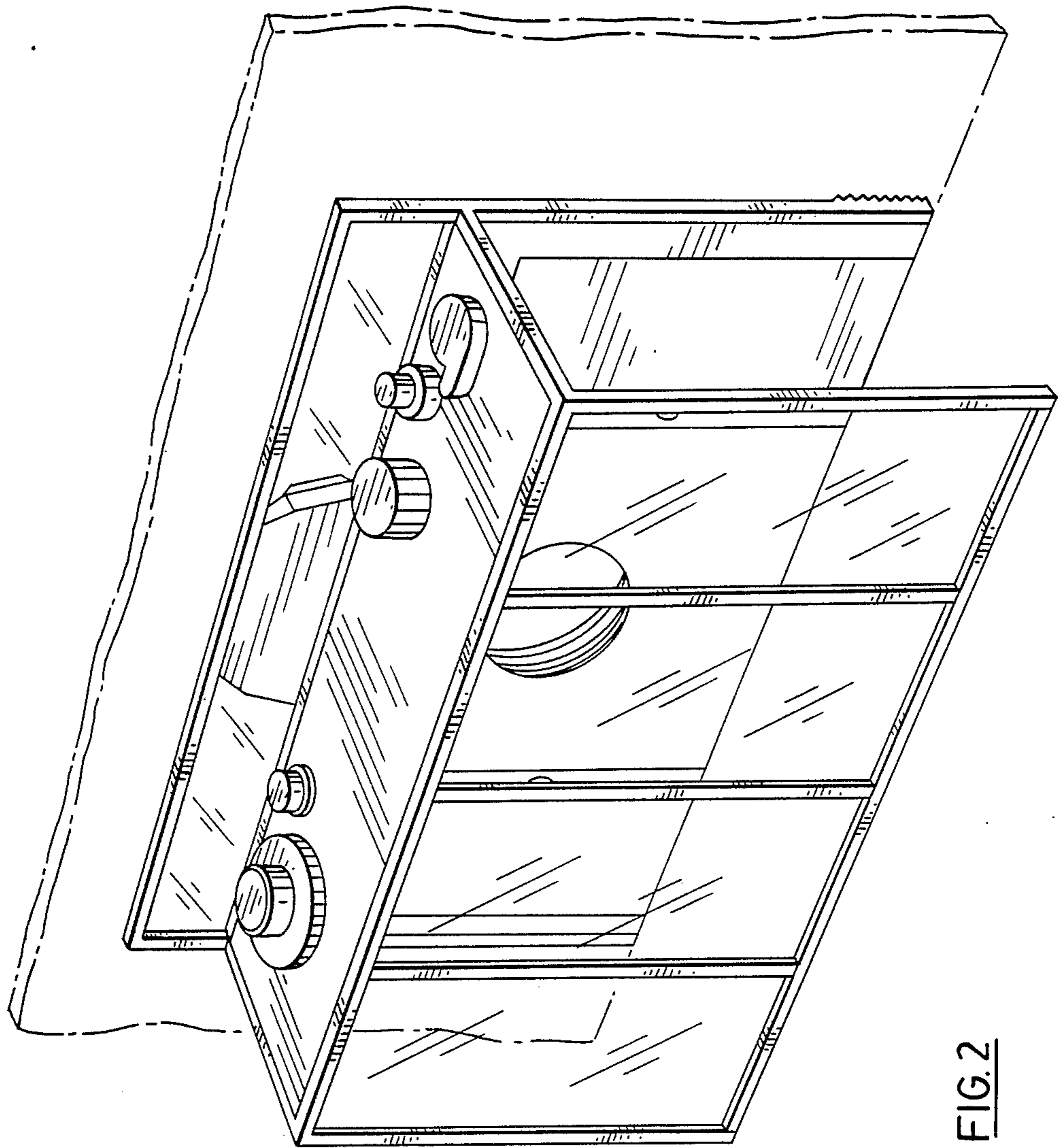


FIG. 2