

[54] **NURSING BOTTLE**

[76] **Inventor: Debra D. Chambers, Rte. 3, Box 85B, Warren, Ark. 71671**

[\*\*] **Term: 14 Years**

[21] **Appl. No.: 276,437**

[22] **Filed: Nov. 23, 1988**

[52] **U.S. Cl. .... D24/47; D9/380**

[58] **Field of Search .... D24/47, 46, 45; 215/11 R, 11.1-11.6; D9/380; D7/510, 511, 534**

[56] **References Cited**

**U.S. PATENT DOCUMENTS**

D. 264,993	6/1982	Kestenberg .....	215/11
1,510,363	9/1924	Wangen .	
1,617,213	2/1927	La Paugh .....	215/11
1,637,719	8/1927	Whitlock .....	D24/47 X
1,701,566	2/1929	Havins .	
1,859,733	5/1932	Fort .	
1,999,581	4/1935	Yager .....	215/11
2,105,170	1/1938	Tarrant .....	215/11
2,196,870	4/1940	Little .....	128/252
2,495,548	1/1950	Revane .....	215/11
2,792,696	5/1957	Stayart .....	215/11.1 X
2,803,365	8/1957	Allen .....	215/11
2,822,102	2/1958	Holland .....	215/11
3,092,276	6/1963	Schaar .....	215/11
3,112,837	12/1963	Manoyian .....	215/11

3,833,141	9/1974	Leitz .....	215/344
3,881,627	5/1975	Davolt .....	215/329
3,990,596	11/1976	Hoftman .....	215/11
4,557,392	12/1985	Ryan et al. ....	215/11
4,613,050	9/1986	Atkin et al. ....	215/11
4,801,027	1/1989	Hunter .....	215/11.1

**FOREIGN PATENT DOCUMENTS**

164339	6/1953	Australia .	
44914	10/1908	Switzerland .....	215/11.6
288584	6/1953	Switzerland .	
29063	of 1911	United Kingdom .	

*Primary Examiner*—A. Hugo Word  
*Assistant Examiner*—Stella M. Reid  
*Attorney, Agent, or Firm*—Banner, Birch, McKie & Beckett

[57] **CLAIM**

The ornamental design for a nursing bottle, as shown and described.

**DESCRIPTION**

FIG. 1 is a perspective view of a nursing bottle, showing my new design;  
 FIG. 2 is a front elevational view thereof, the opposite rear elevational view being identical thereto;  
 FIG. 3 is a side elevational view thereof, the opposite side being identical thereto;  
 FIG. 4 is a bottom plan view thereof; and  
 FIG. 5 is a top plan view thereof.

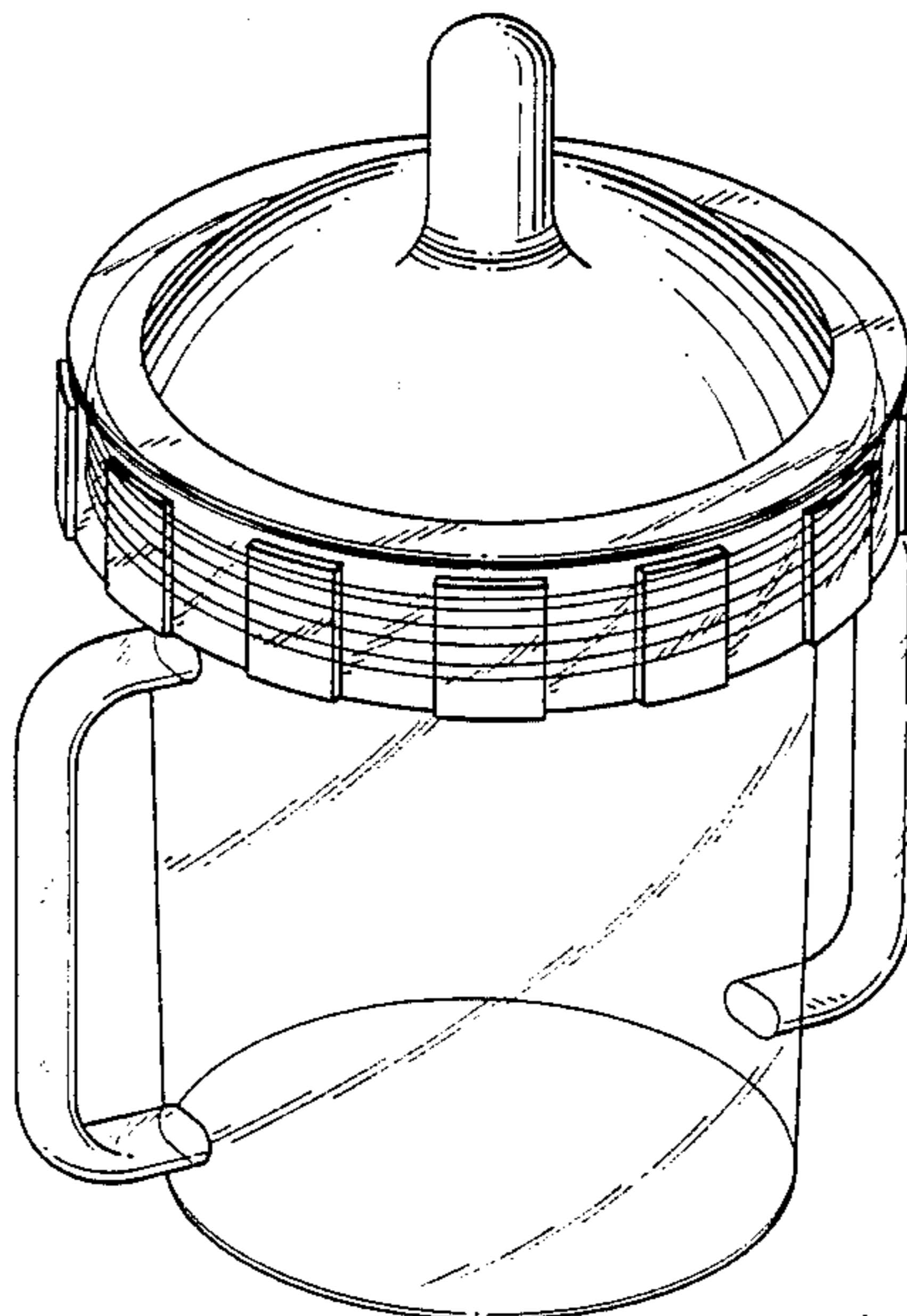


FIG. 2

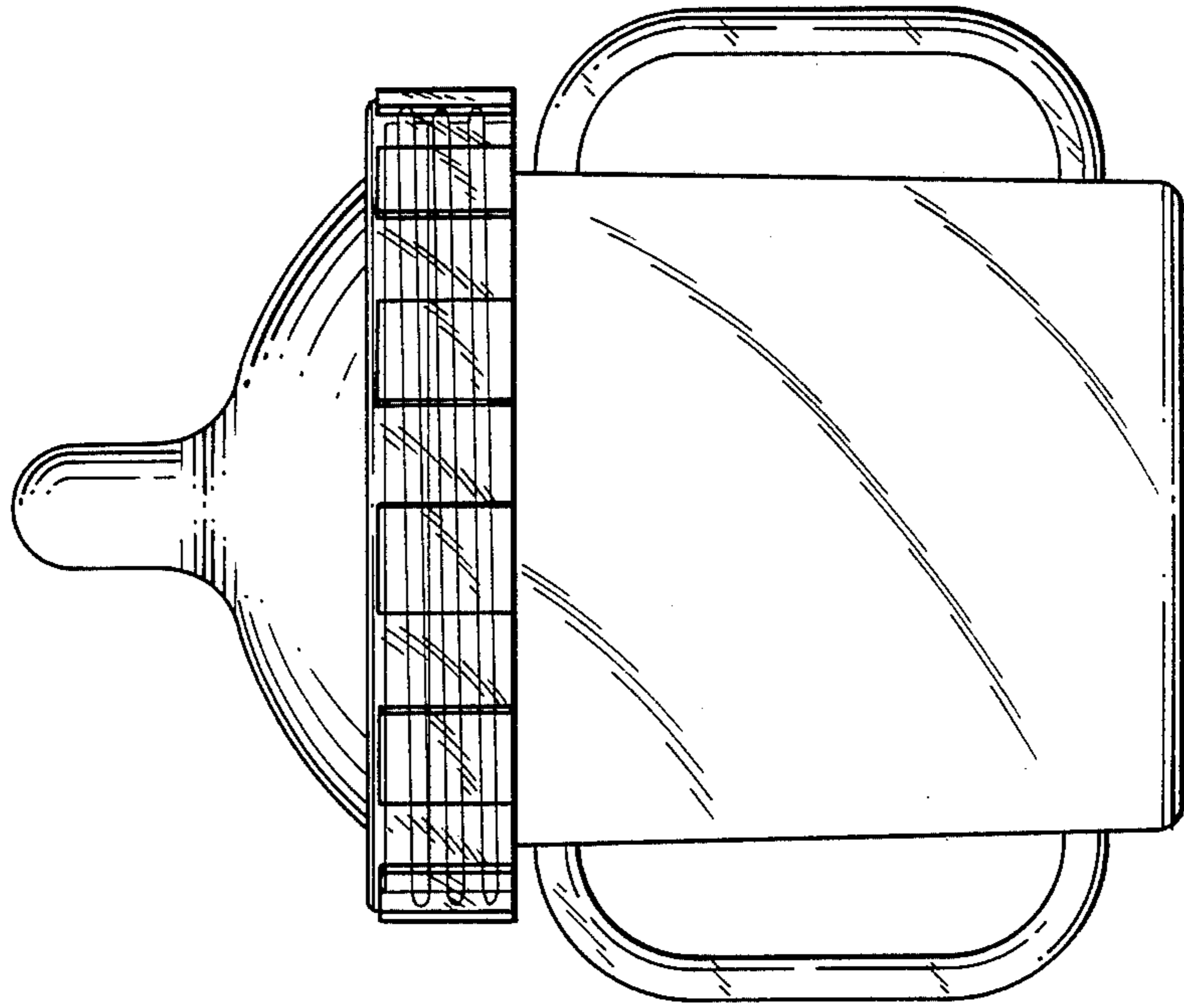
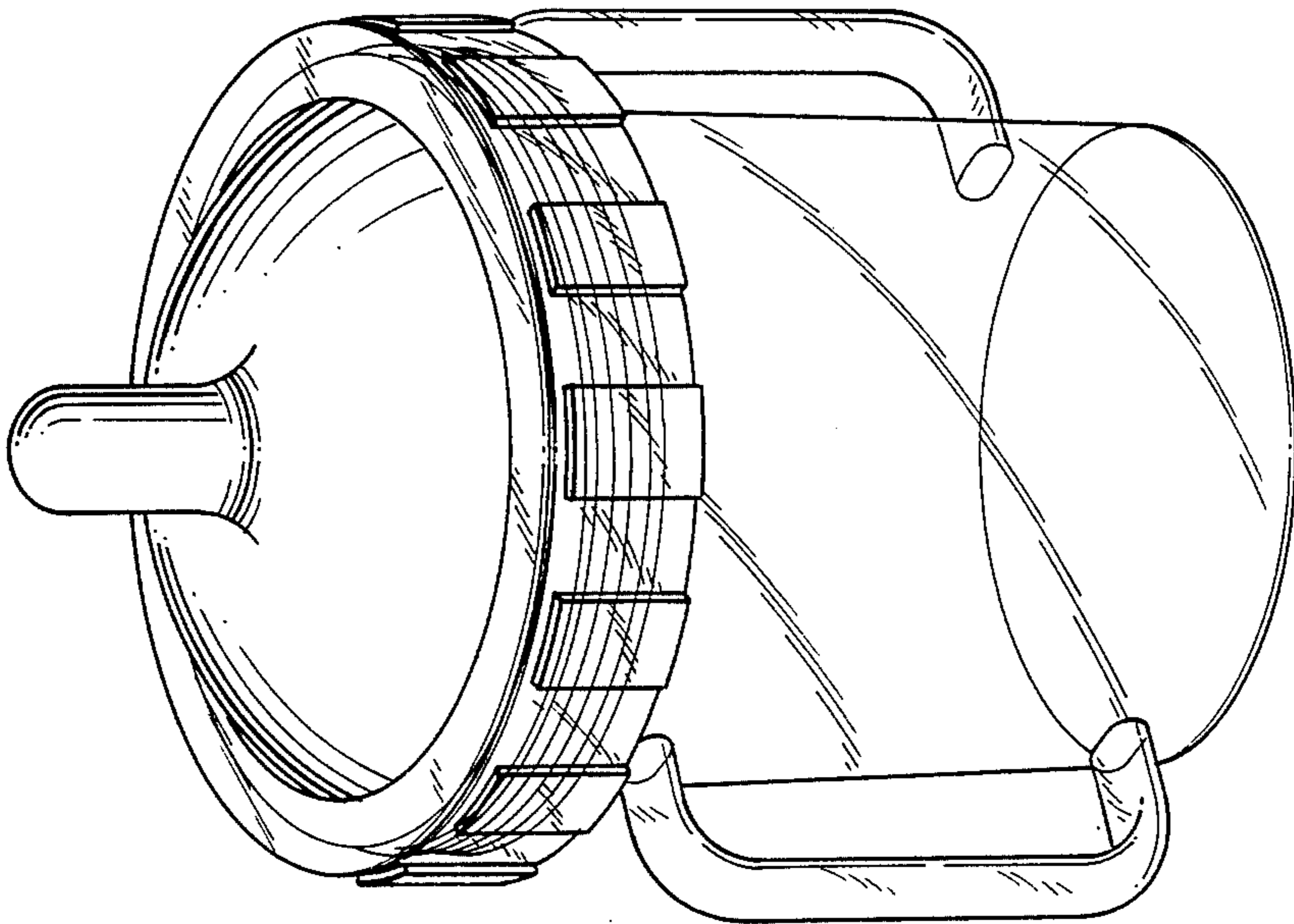
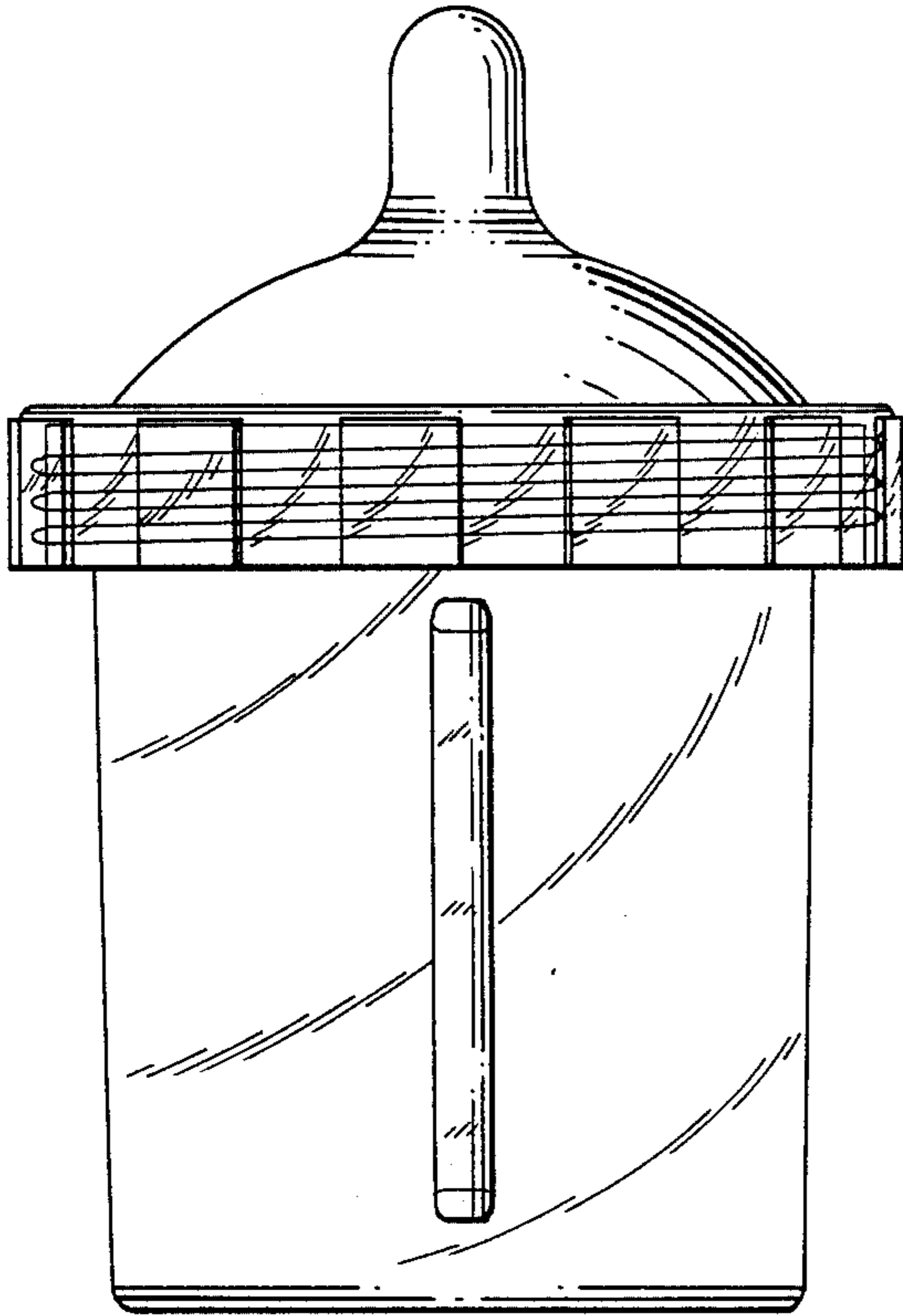


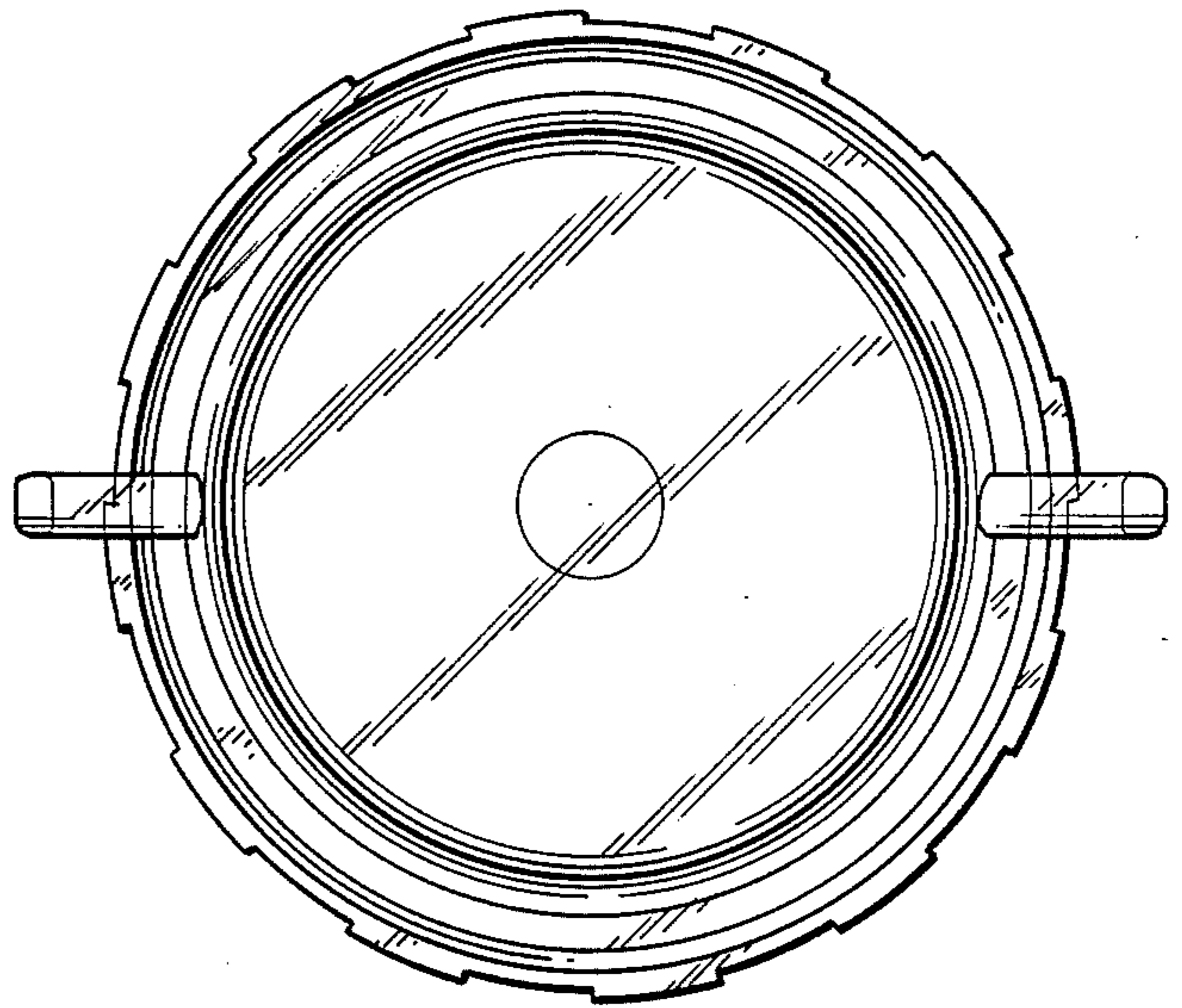
FIG. 1



*FIG. 3*



*FIG. 4*



*FIG. 5*

