

[54] **ELECTRIC FAN**

[75] **Inventor: Bernard Chiu, Ashland, Mass.**

[73] **Assignee: Holmes Products Corp., Holliston, Mass.**

[**] **Term: 14 Years**

[21] **Appl. No.: 215,880**

[22] **Filed: Jul. 5, 1988**

[52] **U.S. Cl. D23/382; 416/247 R**

[58] **Field of Search D23/382; 416/247 R,
416/100, 246, 63**

[56] **References Cited**

U.S. PATENT DOCUMENTS

D. 221,077	7/1971	Stut	D23/382
D. 240,231	6/1976	Patton	D23/382
2,829,819	4/1958	Corwin	416/247 R
3,446,429	5/1969	Suzuki et al.	416/247 R

FOREIGN PATENT DOCUMENTS

135797	10/1981	Japan	416/247 R
--------	---------	-------	-------	-----------

OTHER PUBLICATIONS

Evening Star—Jun. 21, 1956, Portable Electric Fan ad. Merchandising Week, 1/5/70, p. 38, KDK Fans 40FAV and 40GAV.

Tatung Fan catalogue, p. 2, Oscillating Fans LC-16 and LD-12, top middle of page.

Primary Examiner—James M. Gandy

Assistant Examiner—Lisa Lichtenstein

Attorney, Agent, or Firm—Irving M. Kriegsman

[57] **CLAIM**

The ornamental design for an electric fan, as shown and described.

DESCRIPTION

FIG. 1 is a front elevational view of an electric fan showing my new design;

FIG. 2 is a rear elevational view thereof;

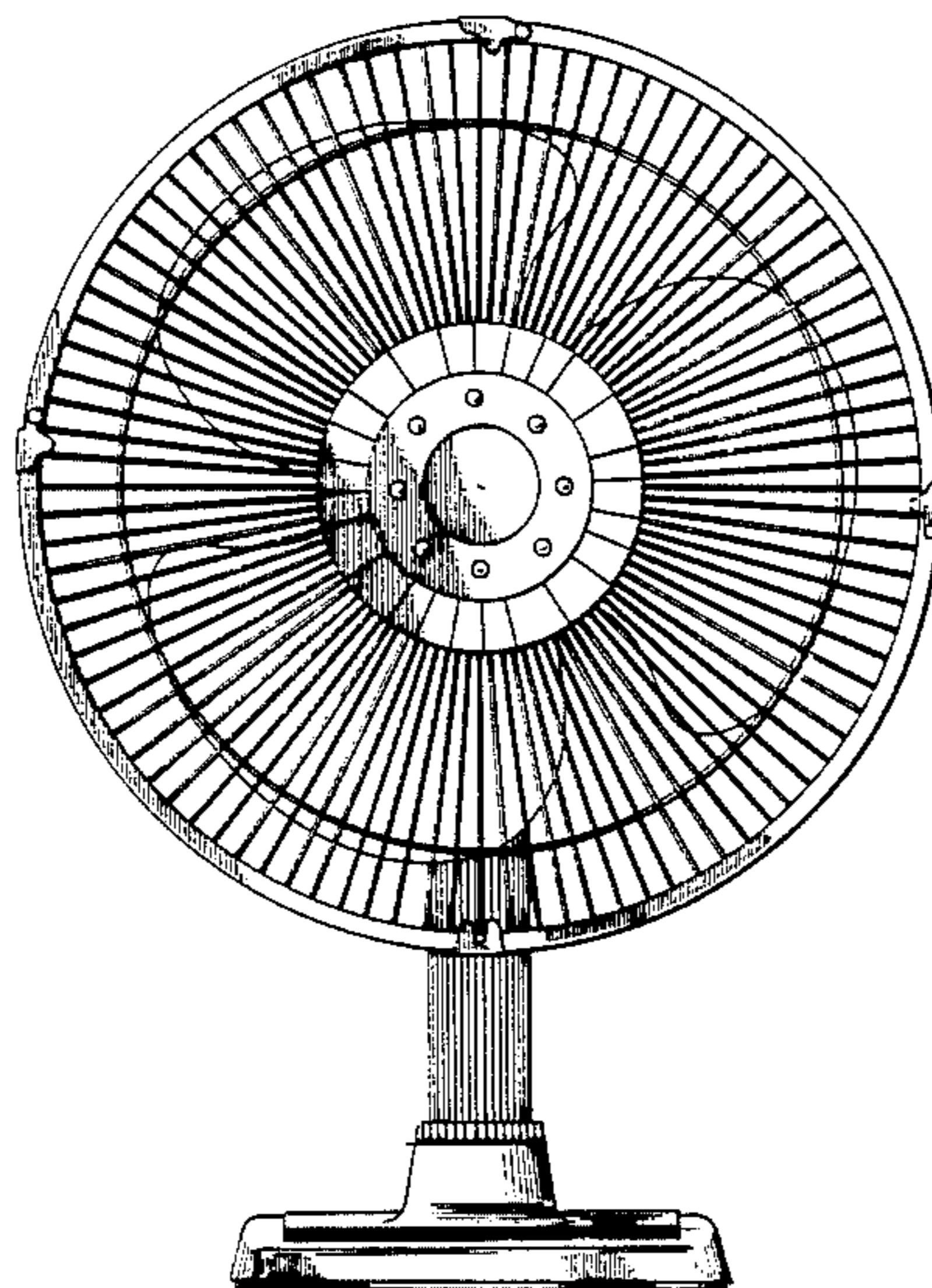
FIG. 3 is a top plan view thereof;

FIG. 4 is a right side elevational view thereof, the left side being a mirror image of that shown;

FIG. 5 is a bottom plan view thereof;

FIG. 6 is an enlarged top plan view of the disc on the grill of the fan in FIG. 1 thereof, shown separately for clarity of illustration; and

FIG. 7 is side elevational view of FIG. 6.



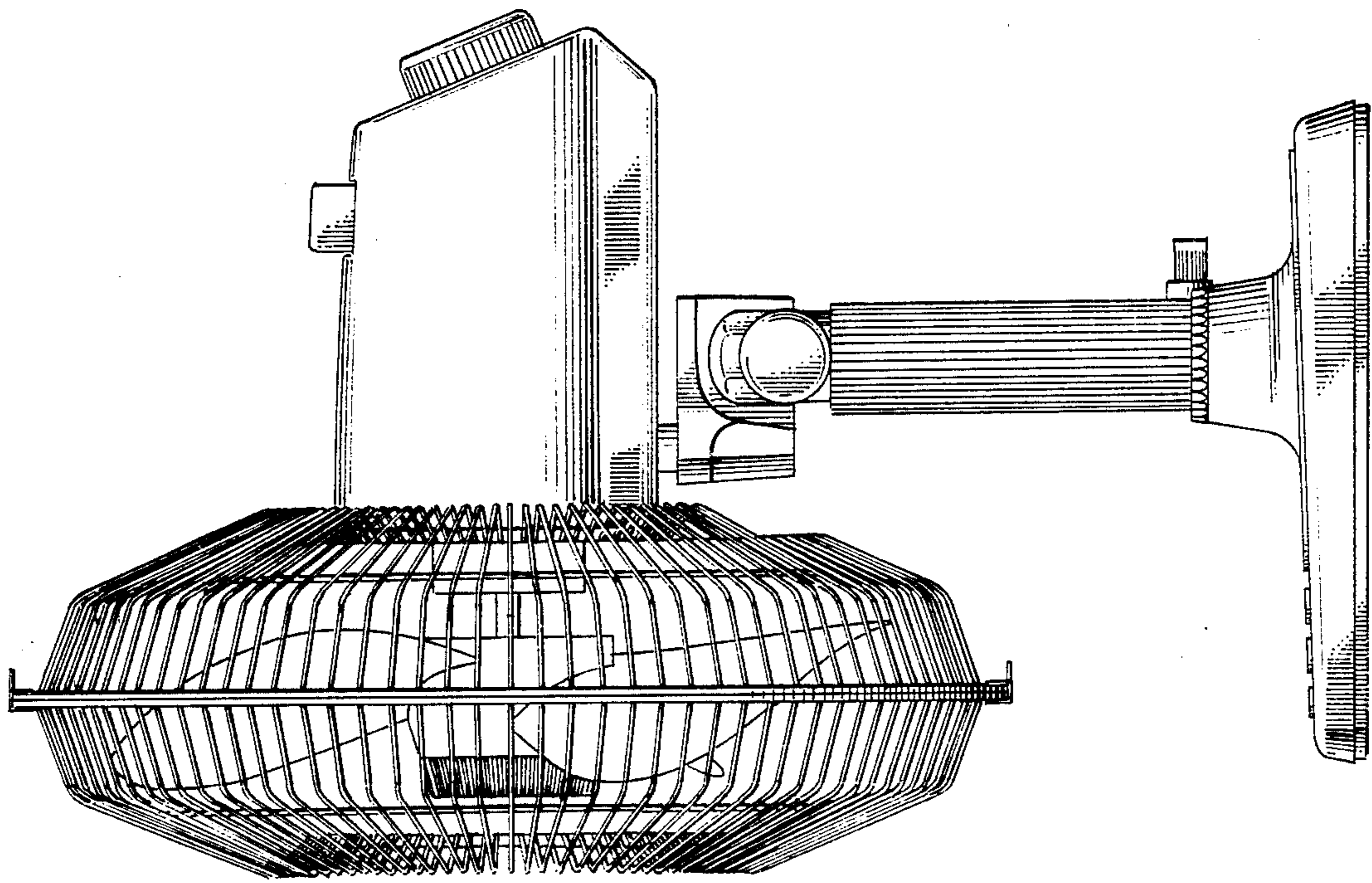


FIG. 4

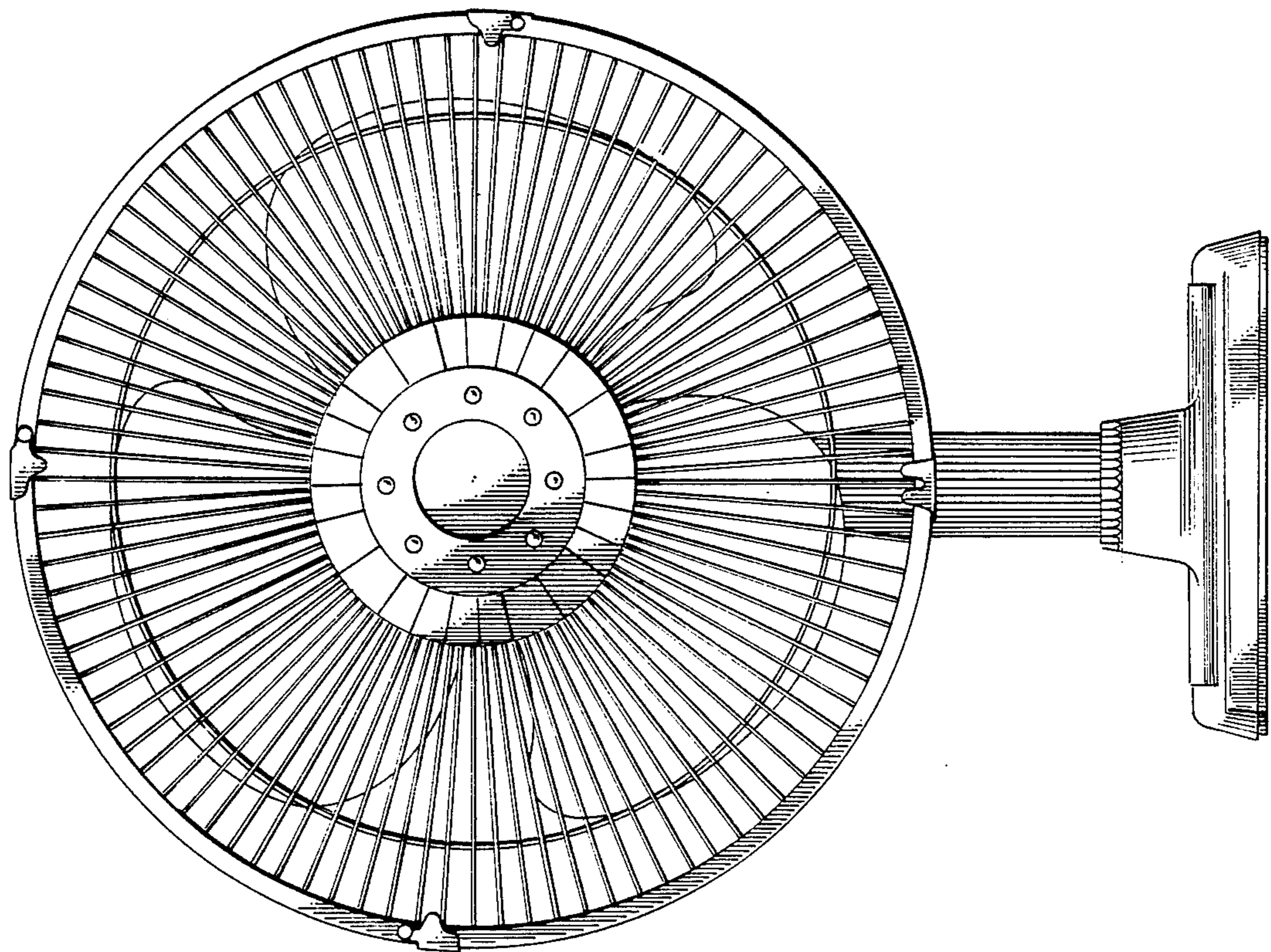


FIG. 1

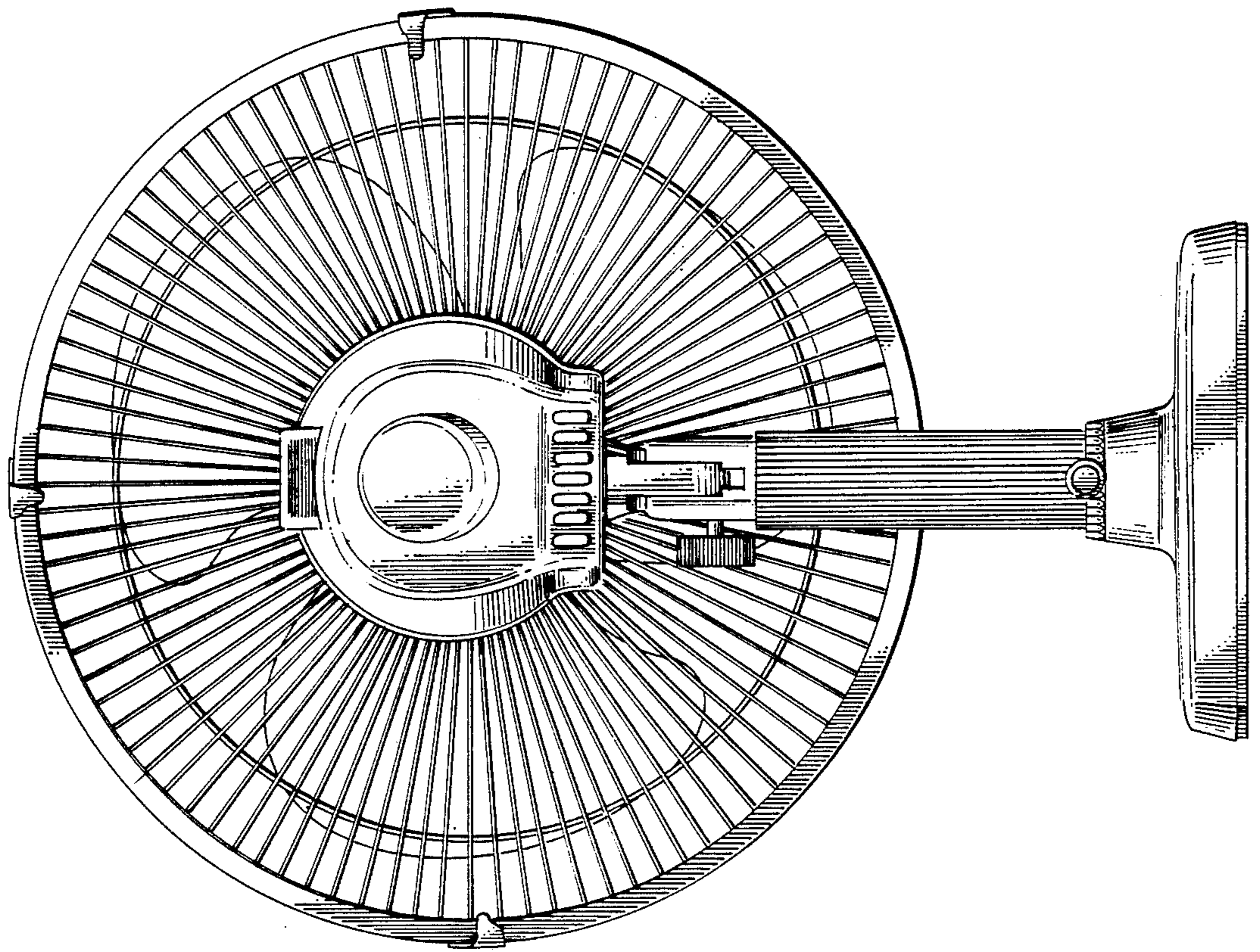


FIG. 2

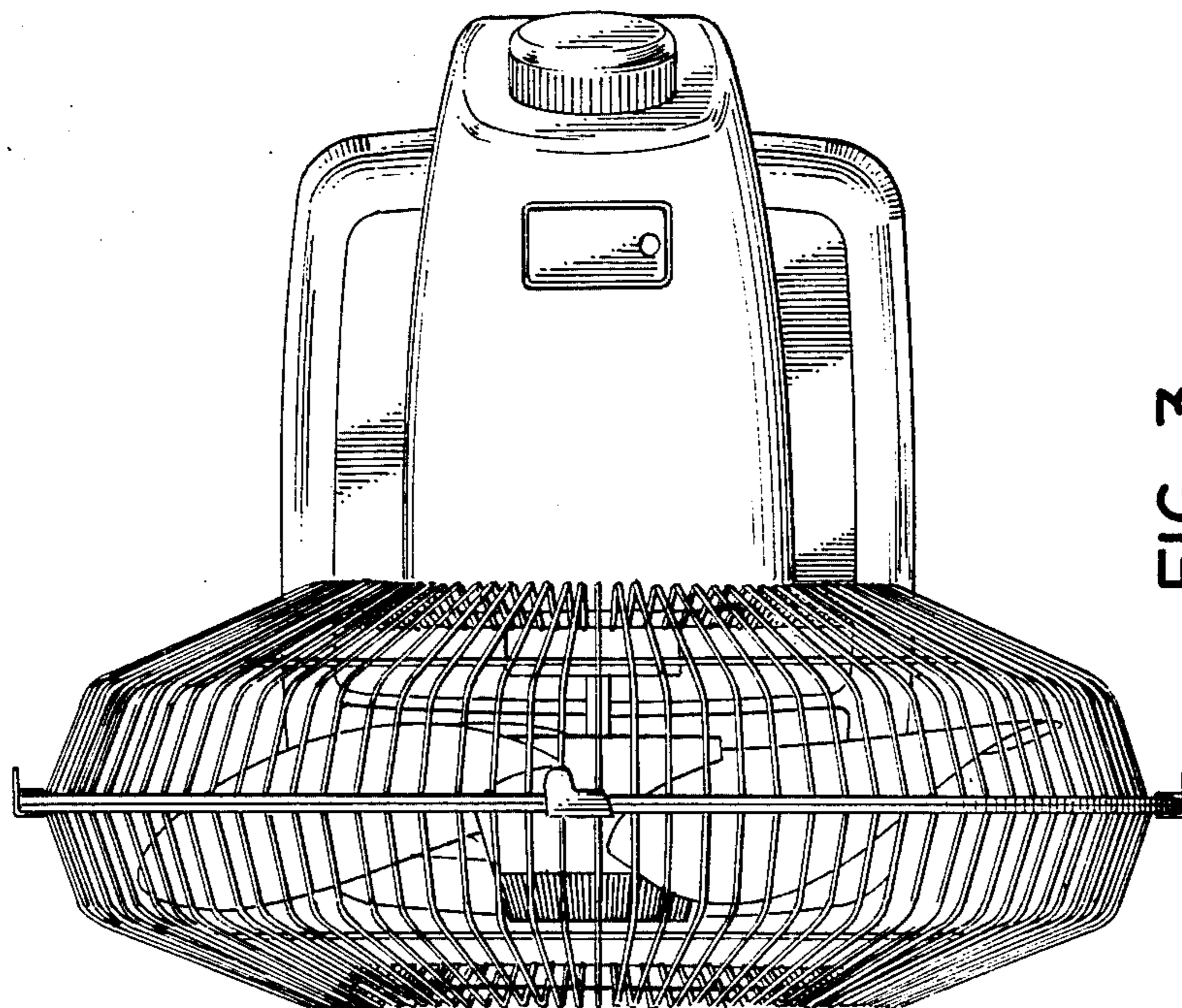


FIG. 3

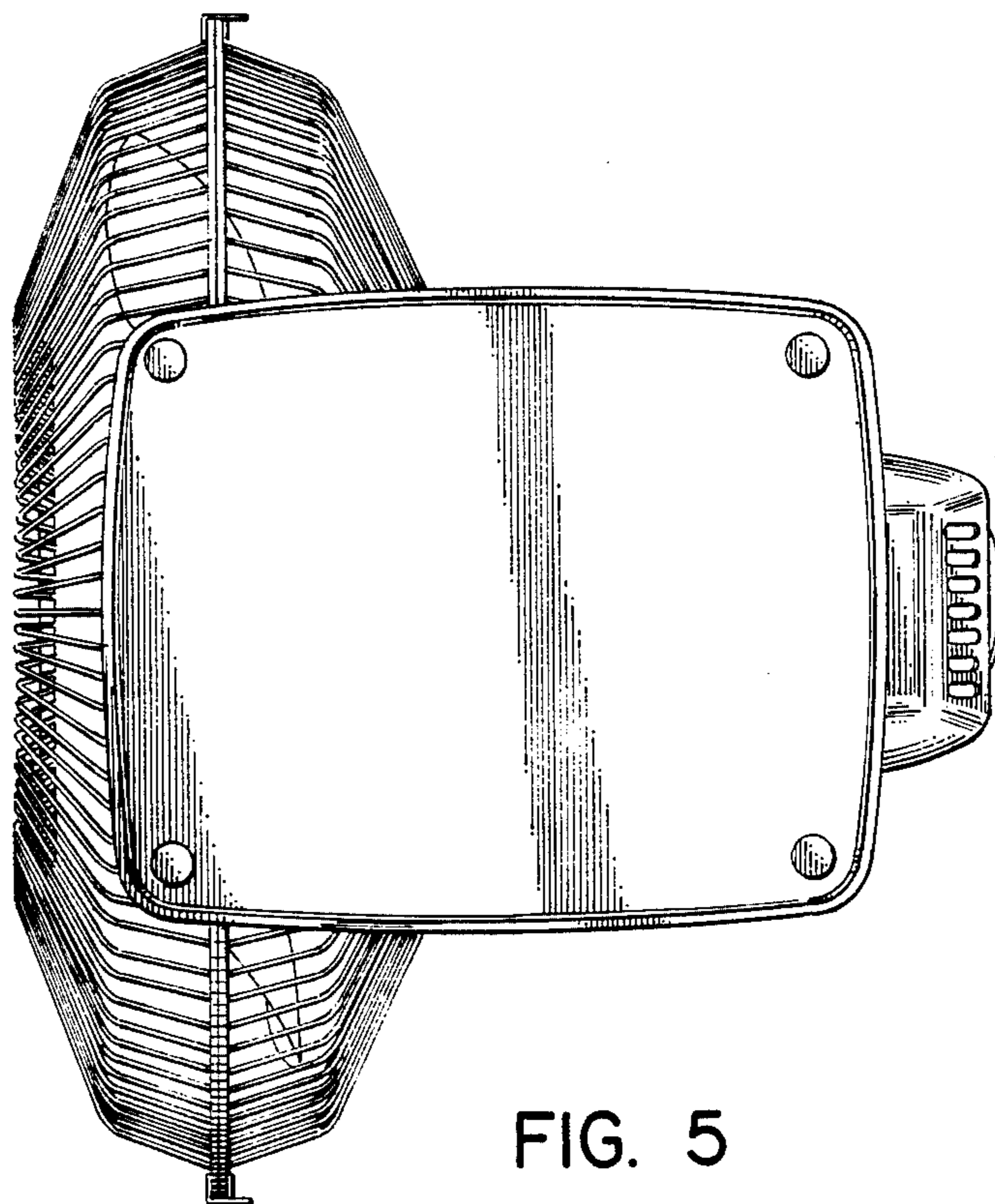


FIG. 5

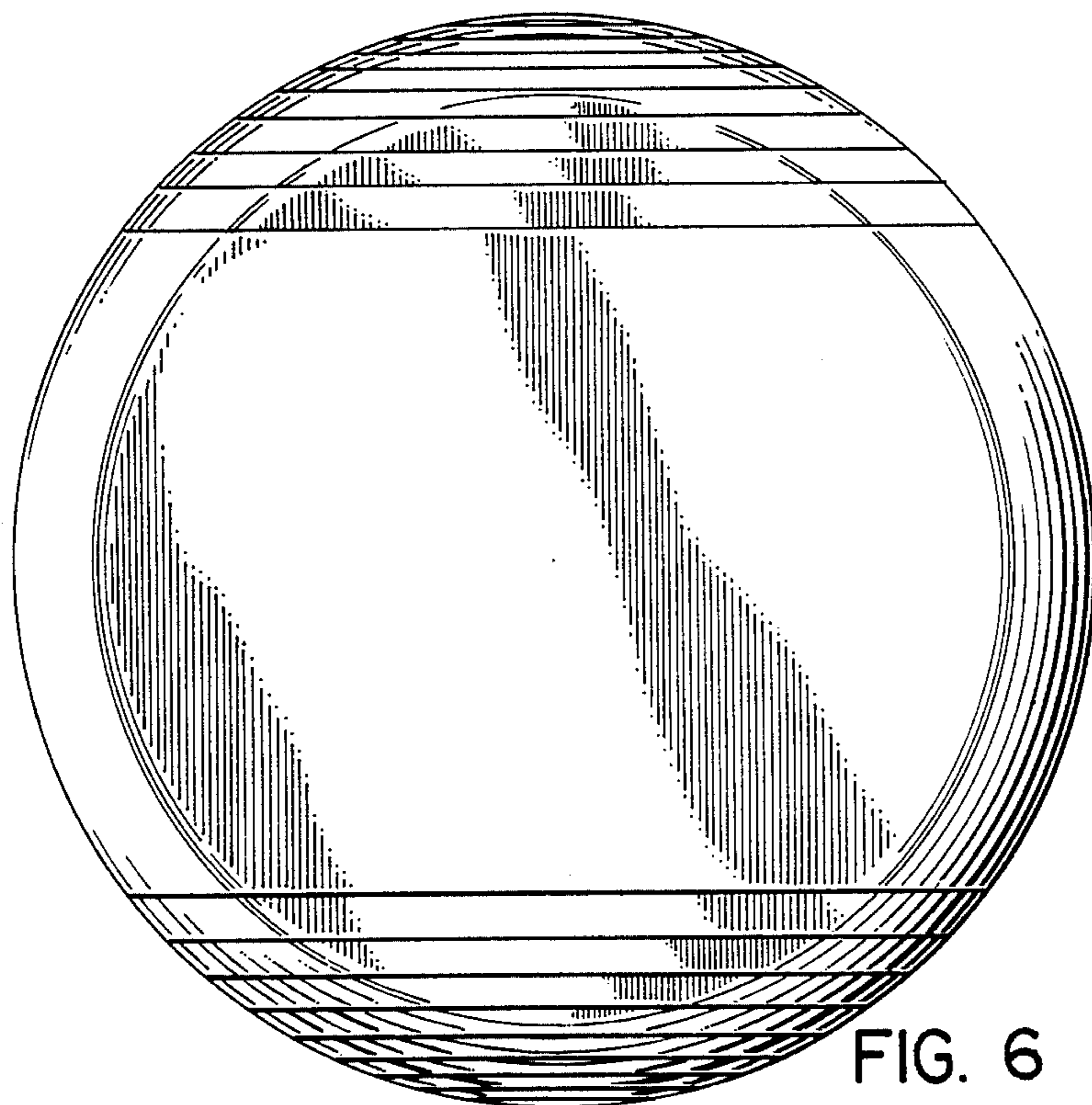


FIG. 6



FIG. 7