

[54] WATER CLOSET

- [75] Inventor: Roger J. Yvetot, Conflans Ste Honorine, France
- [73] Assignee: Compagnie Internationale des Produits Sanitaires, Paris, France
- [**] Term: 14 Years
- [21] Appl. No.: 337,221
- [22] Filed: Apr. 11, 1989
- [52] U.S. Cl. D23/301
- [58] Field of Search D23/295-301, D23/309, 313; 4/306, 329-332, 353, 420-448, DIG. 15

[56] References Cited

U.S. PATENT DOCUMENTS

D/ 199,021	9/1964	Stairs, Jr.	D23/301
D. 262,647	1/1982	Kaiser	D23/301
D. 262,989	2/1982	Stairs, Jr.	D23/301
D. 275,598	9/1984	Stairs, Jr.	D23/301
D. 286,067	10/1986	Alger	D23/301

OTHER PUBLICATIONS

Two pages of Jacob Delafon advertisements showing the "Antares" toilet design, undated.
 Jacob Delafon advertisement showing the "Astros" toilet tank, undated.
 1989 Ideal Standard advertisement showing the "Bedurfnis" toilet.
 Undated Eljer advertisement showing the "Coventry, Windsor, and Patrician" designs.

Primary Examiner—James R. Largen
 Attorney, Agent, or Firm—Quarles & Brady

[57] CLAIM

The ornamental design for a water closet, as shown and described.

DESCRIPTION

FIG. 1 is a perspective view taken from the top, front and right side of a water closet showing my new design; FIG. 2 is a left side elevational view thereof, the right side being a mirror image of the left side shown; FIG. 3 is a front elevational view thereof; FIG. 4 is a top plan view thereof; and FIG. 5 is a rear elevational view thereof.
 The fragmentary broken line representation of a bathroom floor in FIG. 1 and the broken line representation of holes in FIGS. 1 and 4 are for purposes of illustration only.

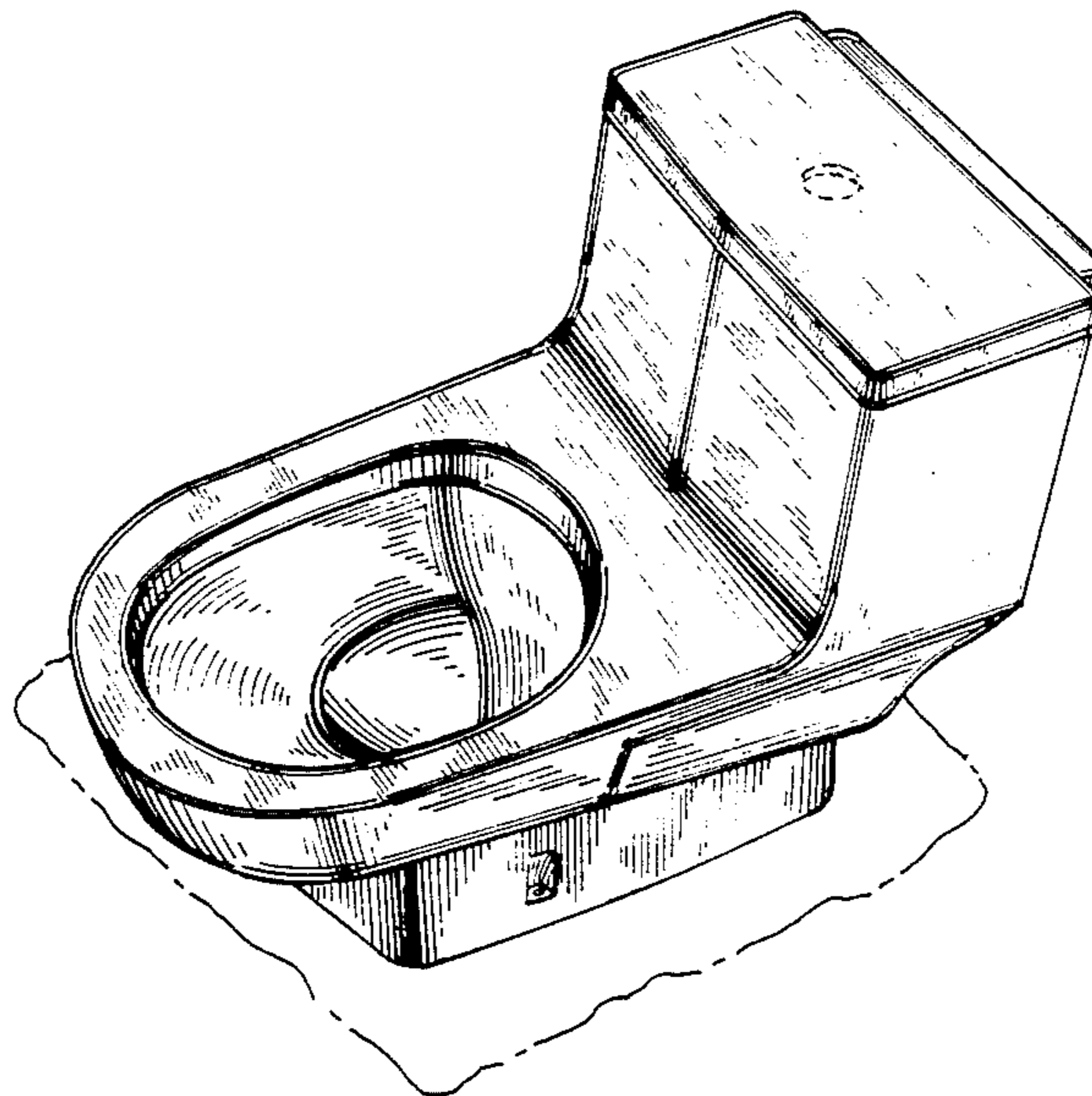


FIG. 1

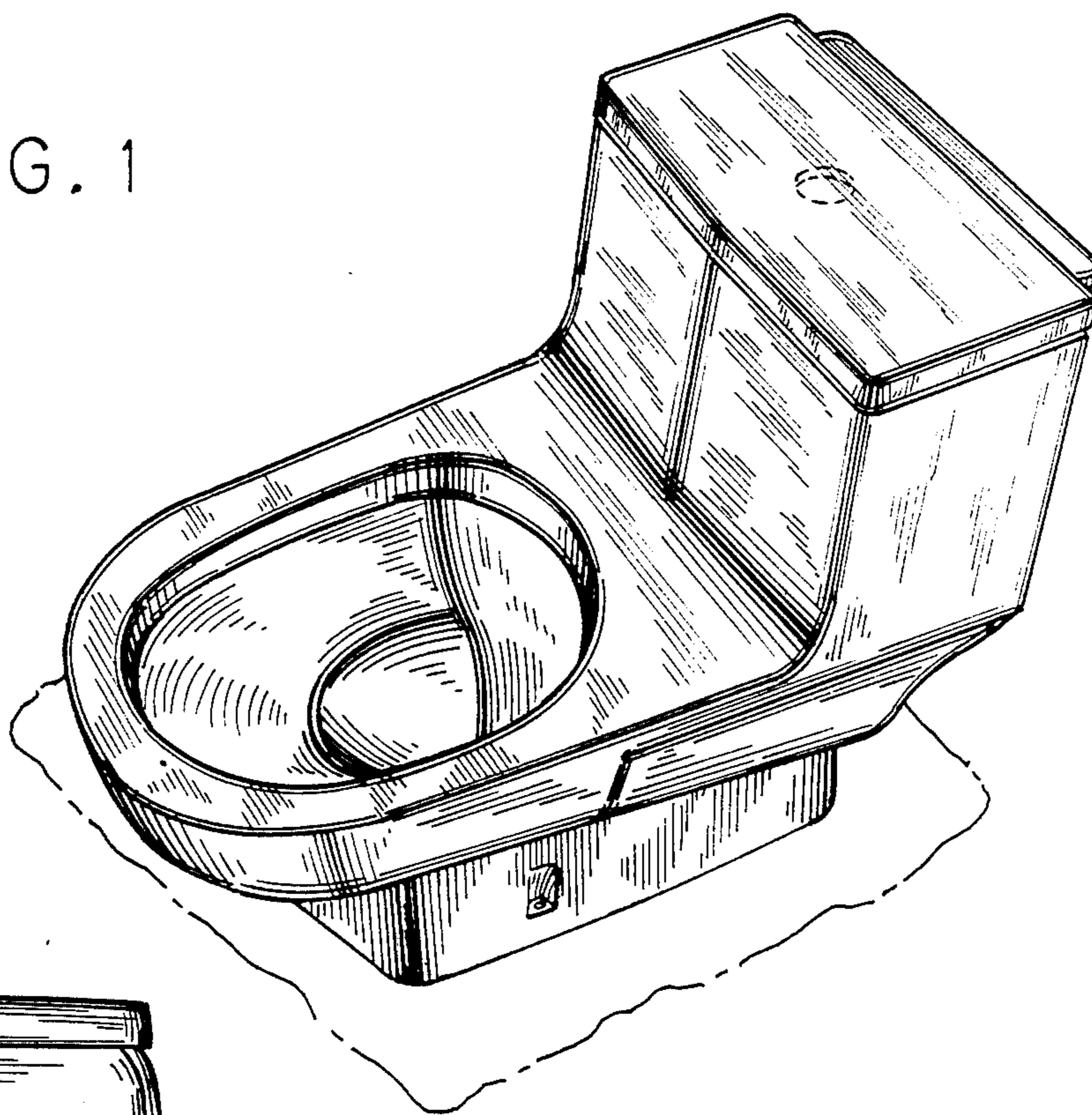
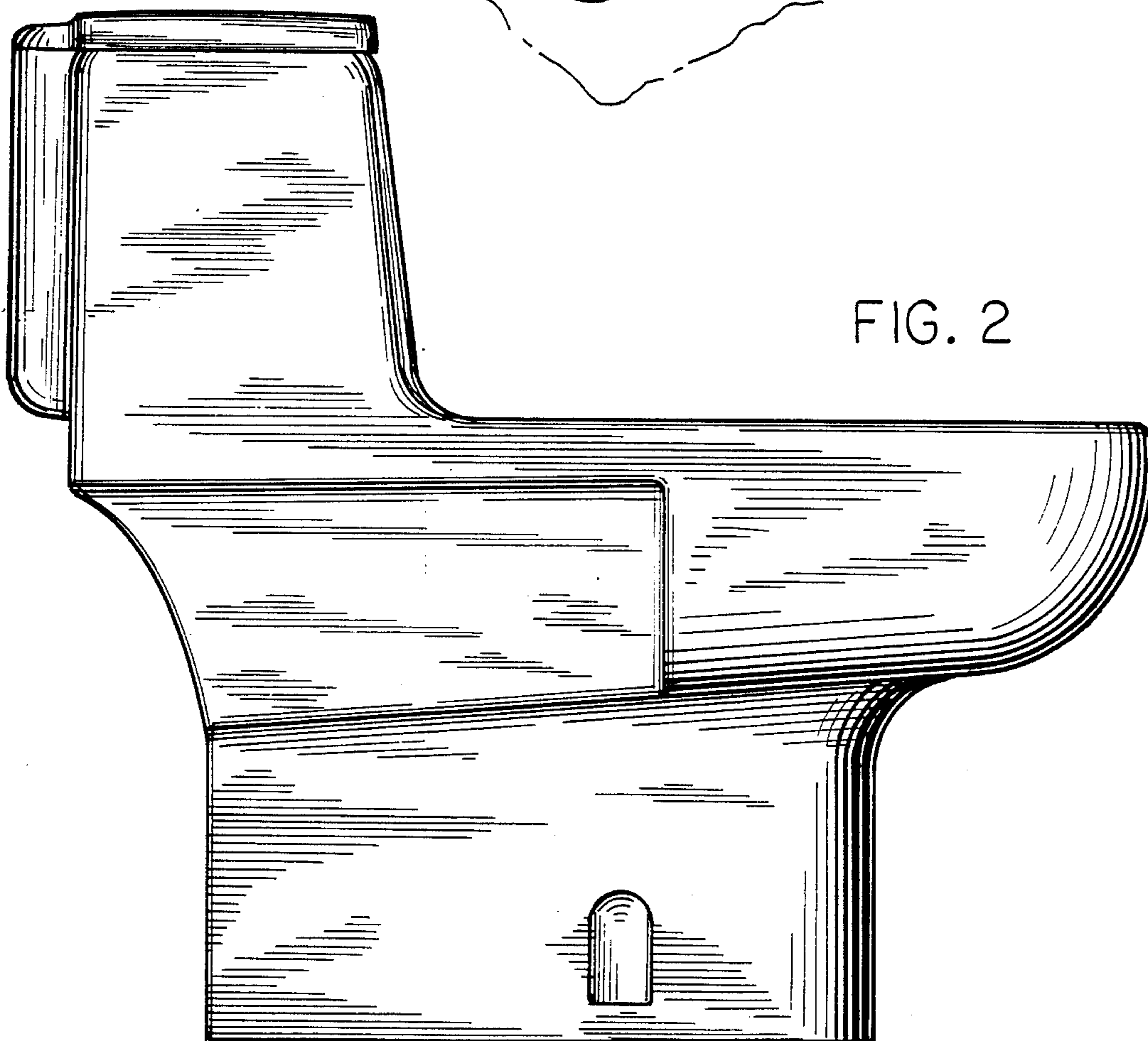


FIG. 2



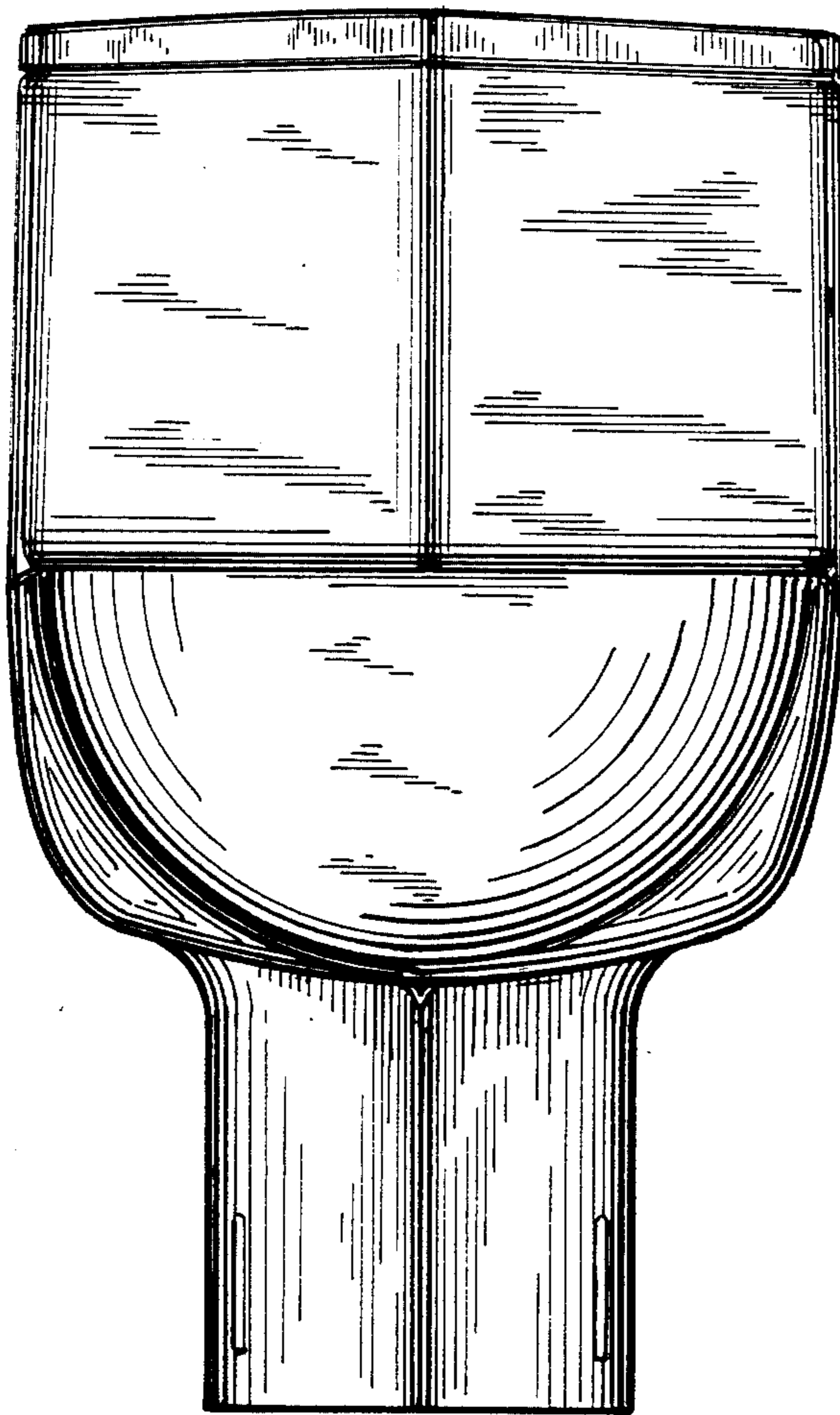
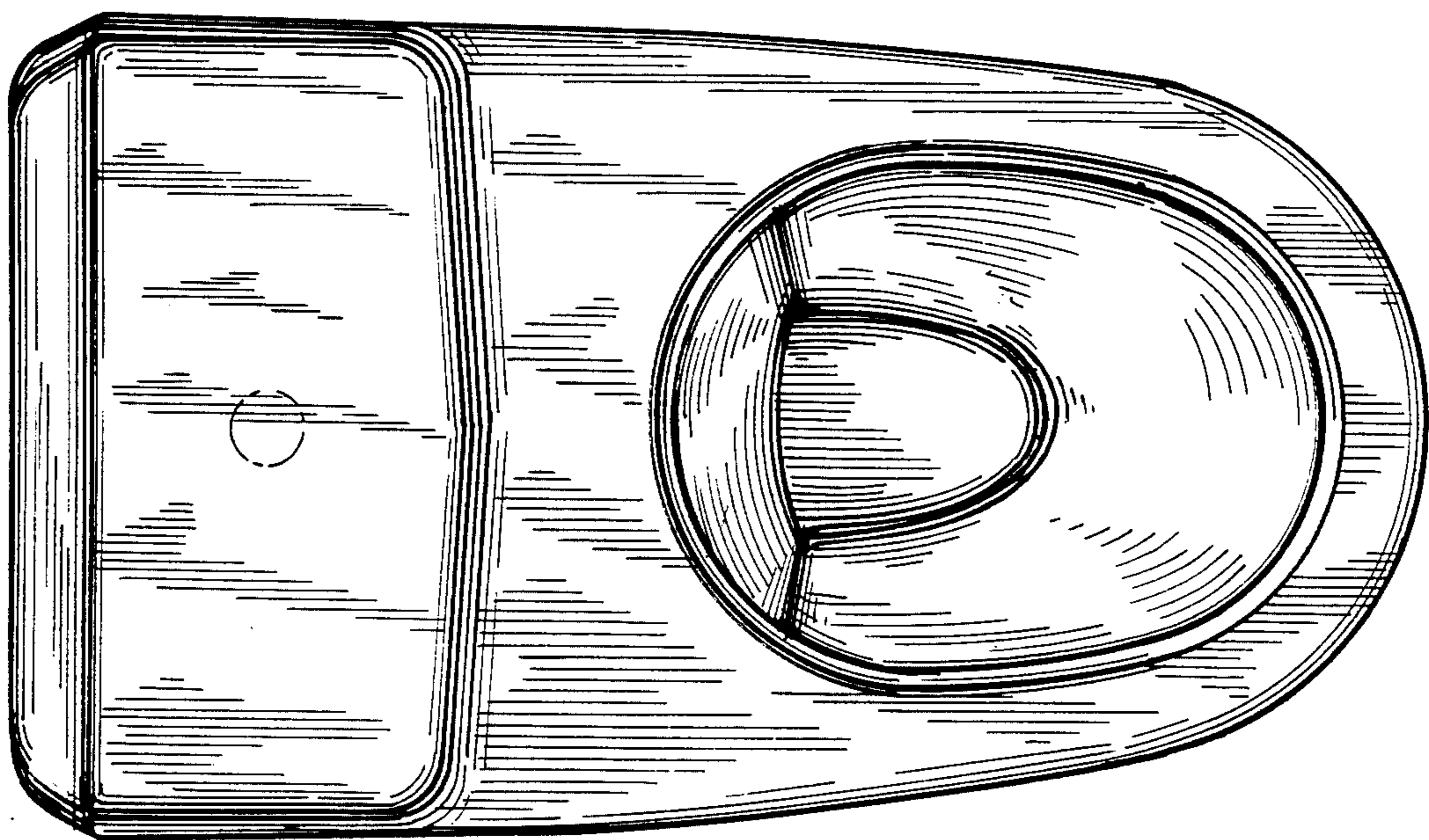


FIG. 3

FIG. 4



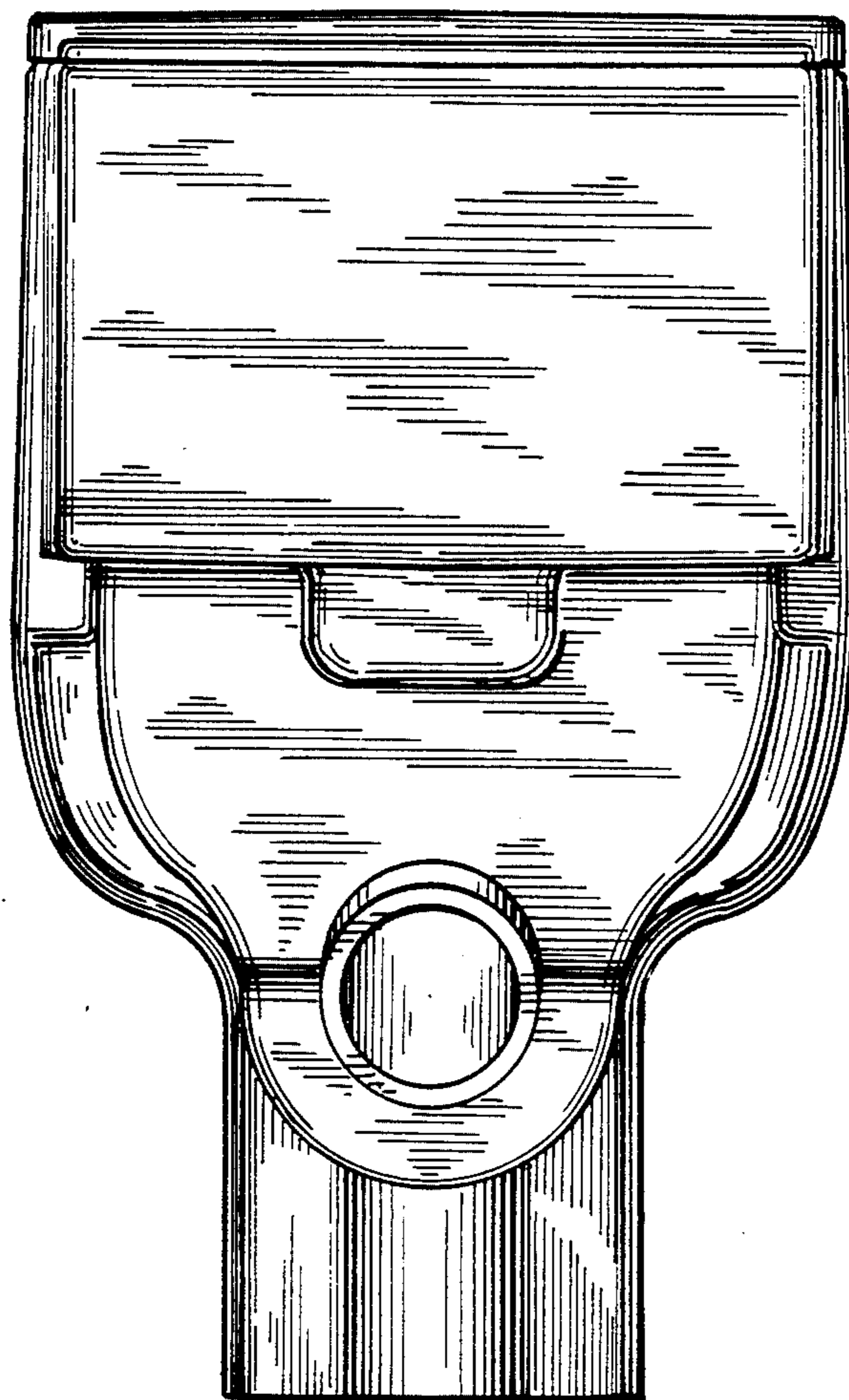


FIG. 5